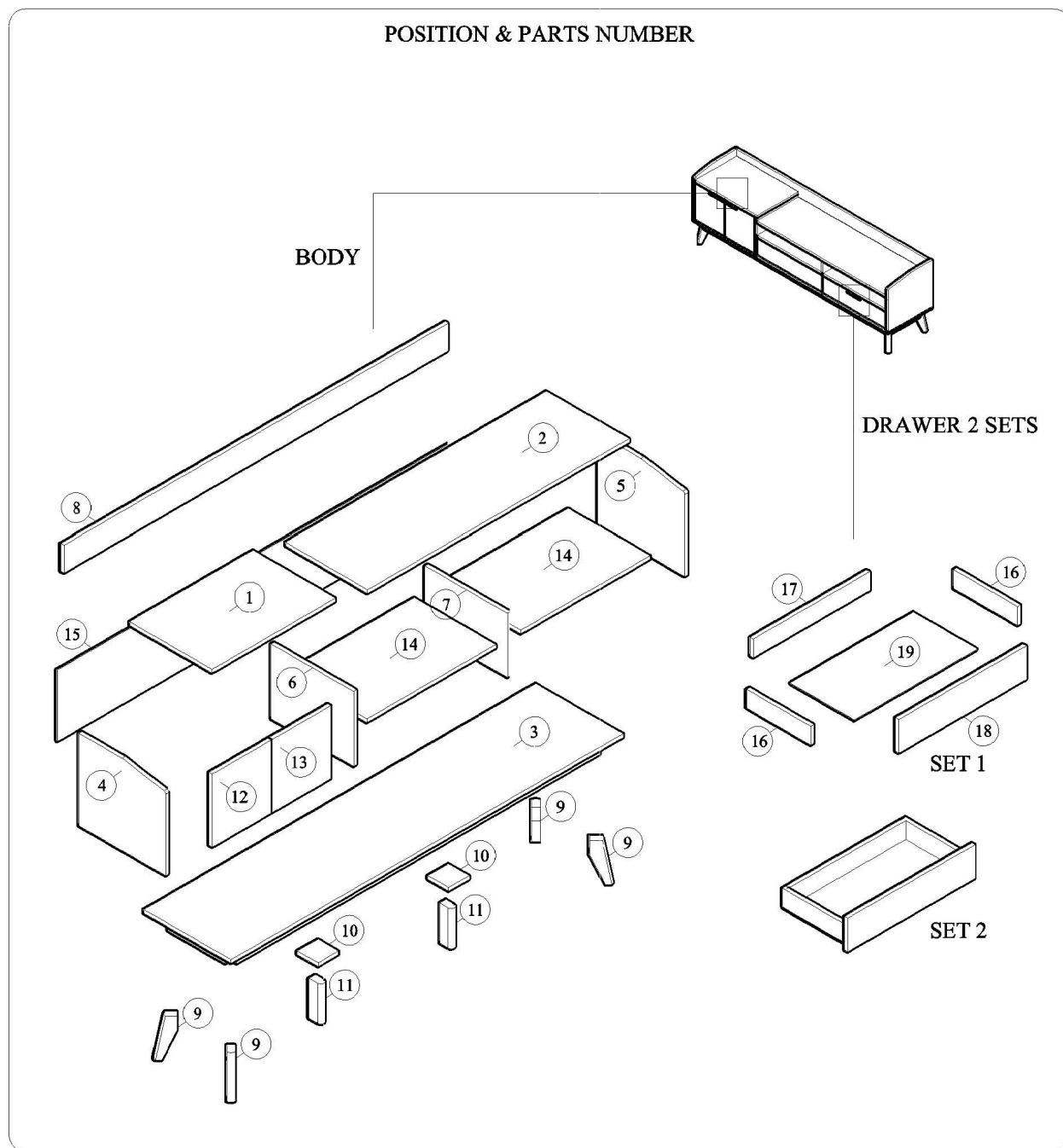








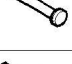





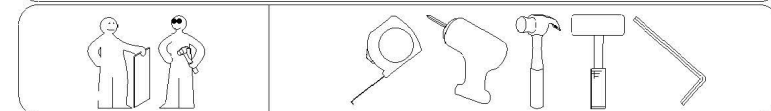
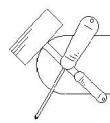


POSITION & PARTS NUMBER



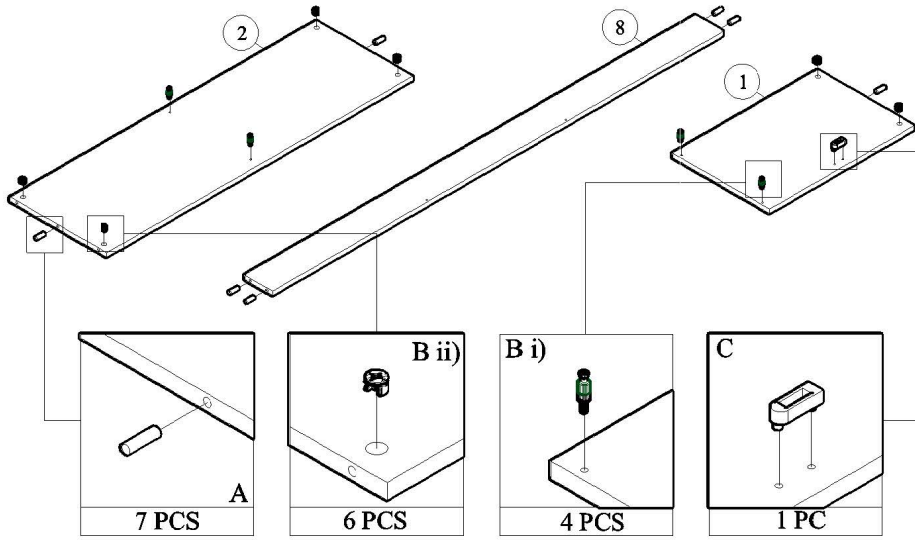
	ACCESSORIES	QUANTITY
A	 WOOD DOWEL M8x30MM	13 PCS
B	 i) MINIFIX M5x24MM ii) MINIFIX CASING iii) MINIFIX CAP	10 PCS 10 PCS 2 PCS
C	 STOPPER INSERT	1 PC
D	 IRON SHELF SUPPORT	8 PCS
E	 SCREW M4x28MM	10 PCS
F	 SCREW M7x50MM	12 PCS
G	 SCREW M6x50MM	6 PCS
H	 WHITE LEG PIN	6 PCS
I	 POWER PIN	50 PCS
J	 HYDRAULIC HINGES 7/8" SCREW M3.5x16MM	4 PCS 24 PCS
K	 DRAWER SLIDE 12" SCREW M3.5x12MM	2 SETS 24 PCS
L	 CHROME HANDLE (GOLD) SCRW M3.5x12MM	4 PCS 8 PCS
M	 ALLEN KEY	1 PC
N	 SCREW M4x38MM	16 PCS



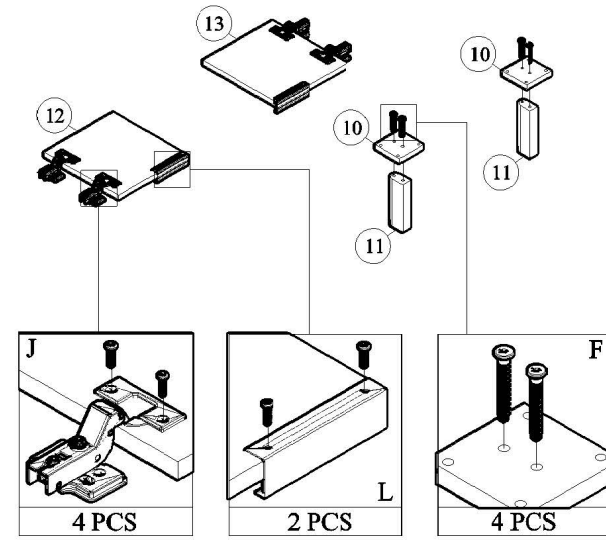


START ASSEMBLY

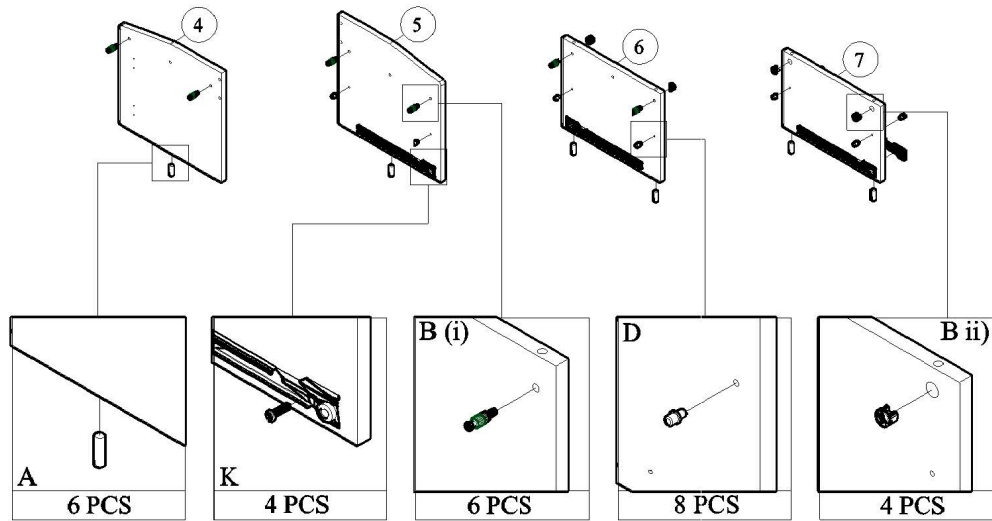
STEP 1



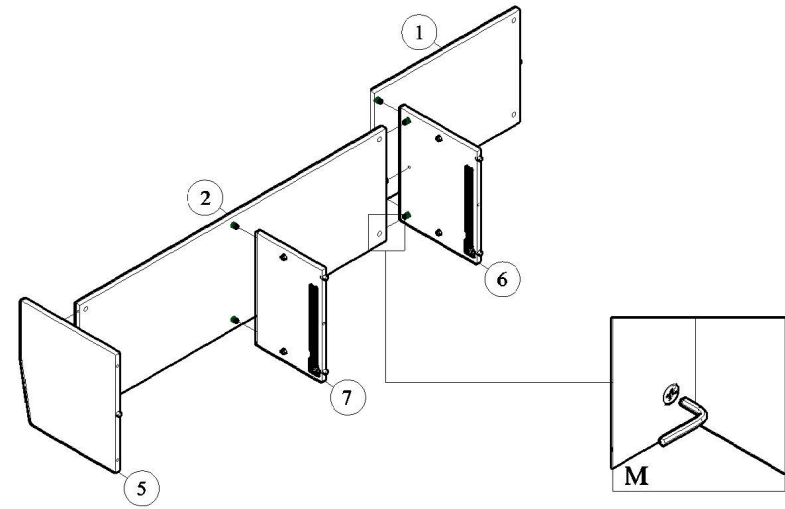
STEP 2



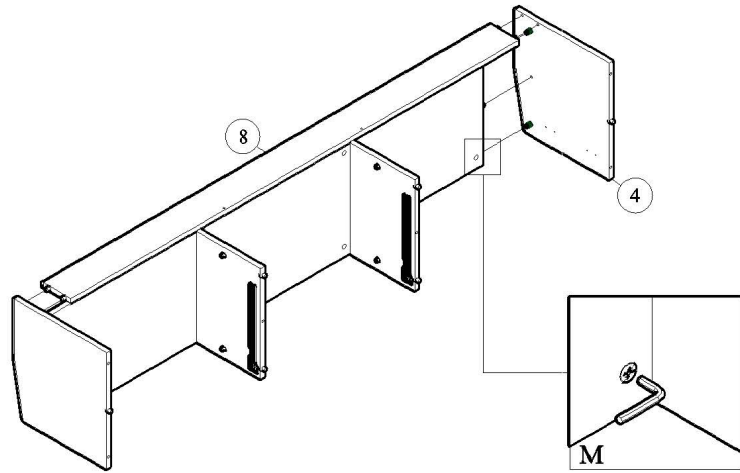
STEP 3



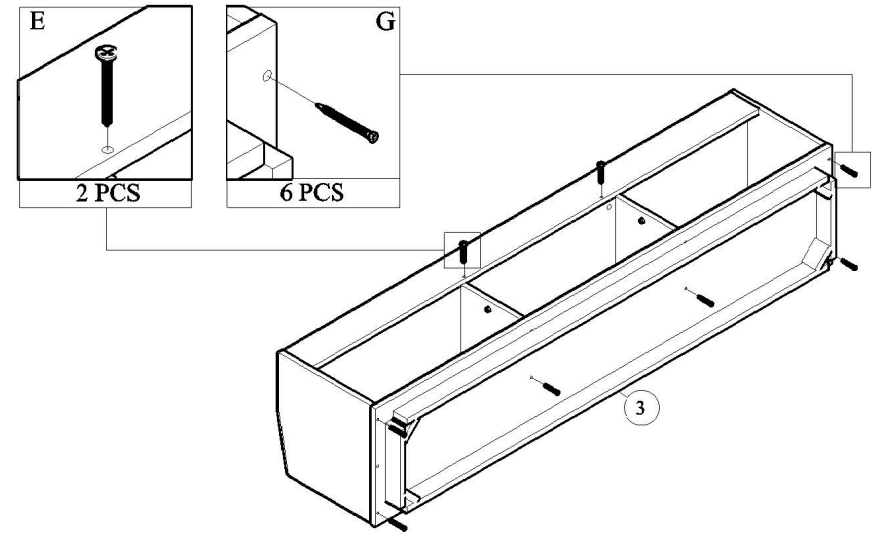
STEP 4



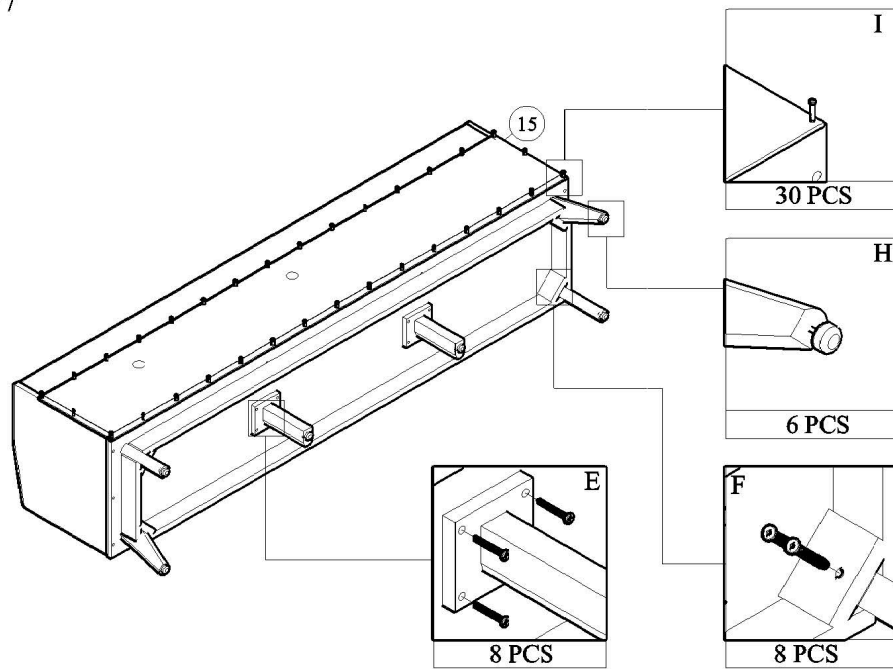
STEP 5



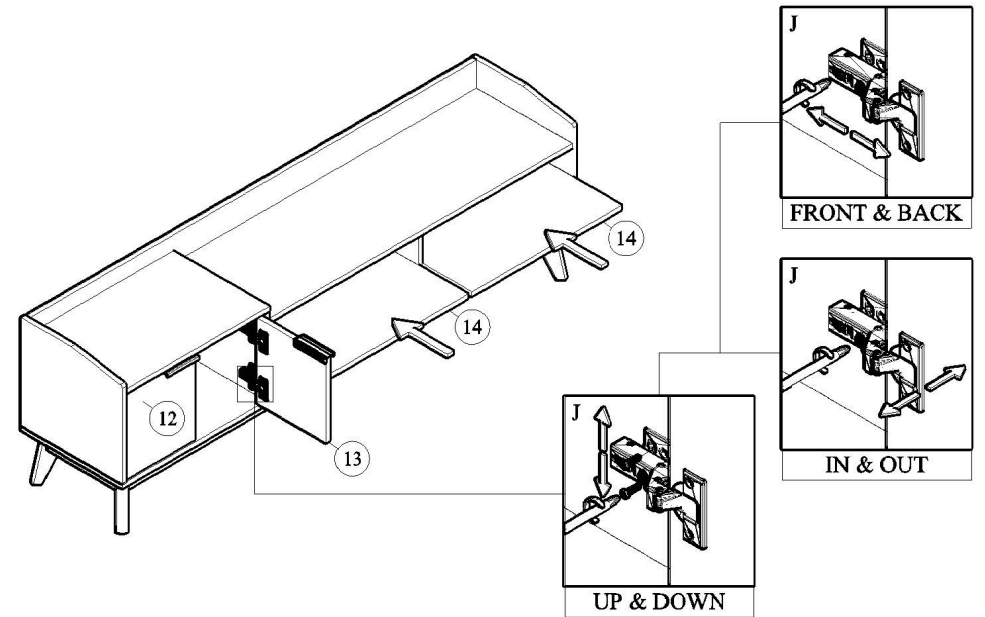
STEP 6



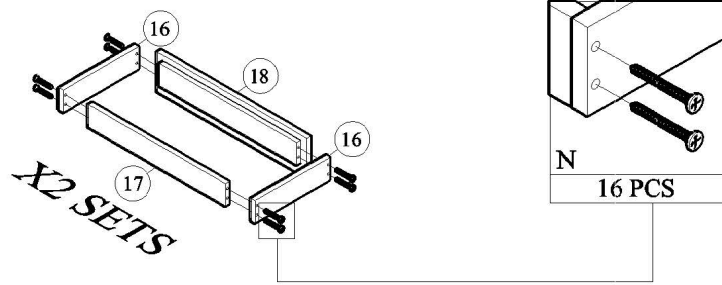
STEP 7



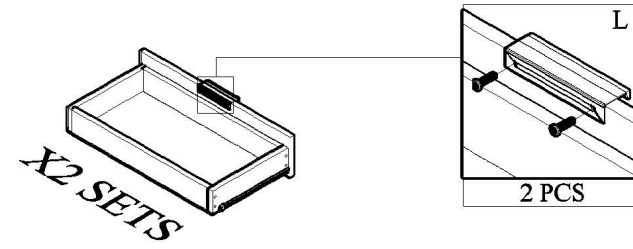
STEP 8



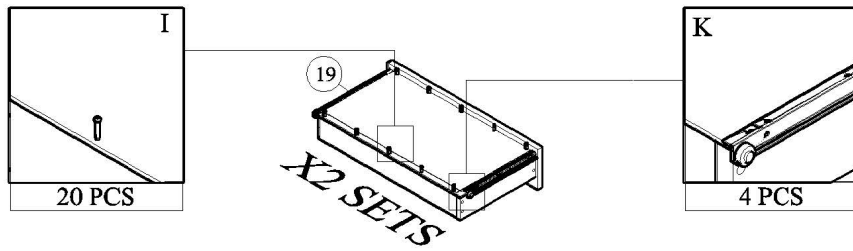
STEP 9



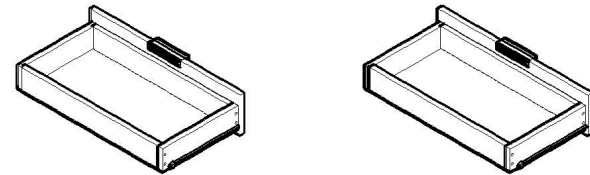
STEP 11



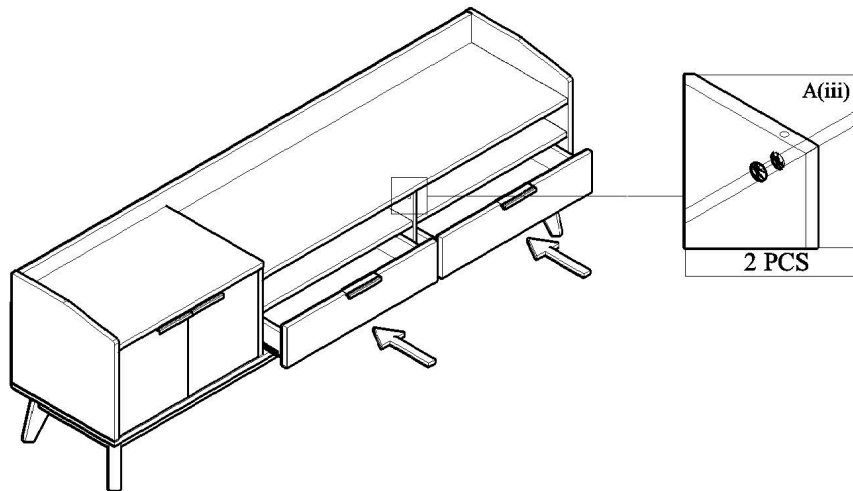
STEP 10



COMPLETED



STEP 12



COMPLETED

