

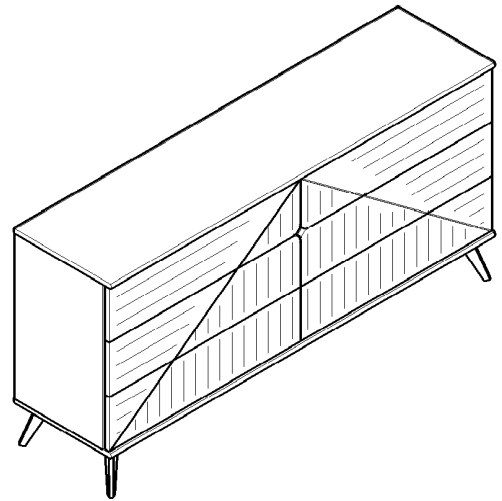
ASSEMBLY INSTRUCTIONS

LV45 COD 45231WI-CLB



Thank you for your purchase.
Before assembly, please read these instructions.
Please read all warnings.
Store this instruction manual for future reference.

Product Size	Approximately 398 Width x 1584 Length x 398 Height (MM)		
Main Materials	MDF (Medium Density Fiberboard)		
Weight Capacity	Top insert: About 30KG, Shelf insert: About 10KG, ※ These are measured figures, not guaranteed figures.		
Time To Assembly	About 60 Minutes	Update Date	21/2/2023



Assembly Warning

- Assembling with 2 or more people is recommended.
- Please assemble at a spacious and flat place
- Please place blankets or cardboard so floor or walls will not be scratched
- Please ventilate the area if there is a strong glue odor after opening the product
- Please follow assembly instructions
- Please have the below tools ready before assembling
 - Screwdriver, Scissors or Blade Box cutter, Rubber hammer, Drill

Hardware

Before assembly, inspect unit for missing parts. Be sure that children do not accidentally swallow these parts.
※ Same sized parts are in a bag. Please check the size of the screws.



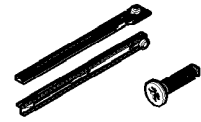
A Minifix
M5x24MM 9 Pcs



B Minifix
Casing 9 Pcs



C Wood Dowel
M8x30MM 18 Pcs



D Drawer Slide 12" 6 Sets
Screw M3.5x12MM 72 Pcs



E Screw
M4x38MM 60 Pcs



F Screw
M4x32MM 2 Pcs



G Screw
M3.5x16MM 18 Pcs



H Screw
M4x45MM 6 Pcs



I Pvc Long Leg 4 Pcs
Screw M4x20MM 16 Pcs



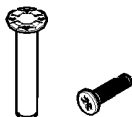
J Screw
M6x50MM 6 Pcs



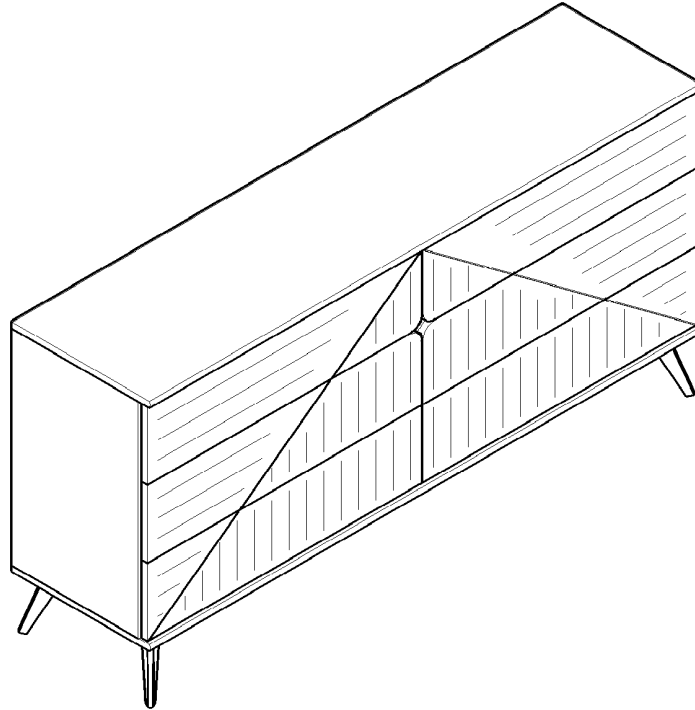
K Stopper Insert 2 Pcs



L Allen Key 1 Pc




M Center
Support Leg 1 Pc
M3.5x16MM 4 Pcs



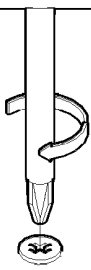
Assembly Information

▪ Assemble screws

1. Screw up to half point to make sure all spots are lined up

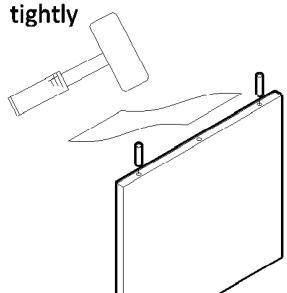


2. Tighten all screws

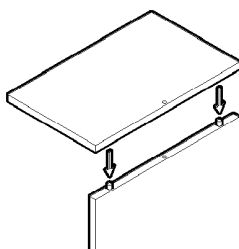


▪ Assemble Wood Dowels

1. Insert dowels into holes tightly

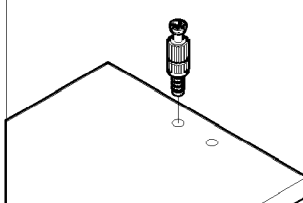


2. Attach the insert holes along with dowels

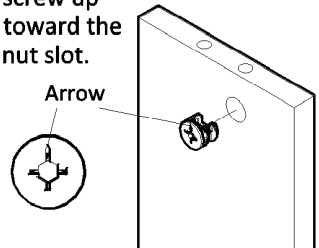


▪ Assemble Minifix

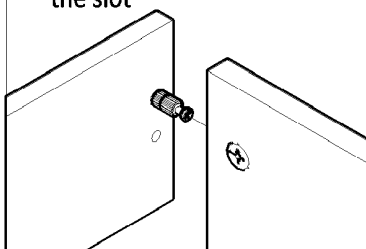
1. Screw Up Minifix M5X24MM into holes. Tighten all Minifix.



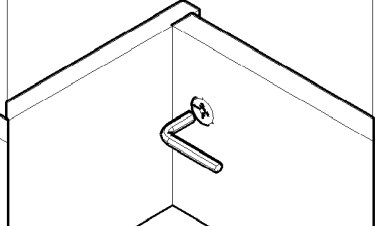
2. Insert Minifix Casing into holes. Set the arrow of the screw up toward the nut slot.



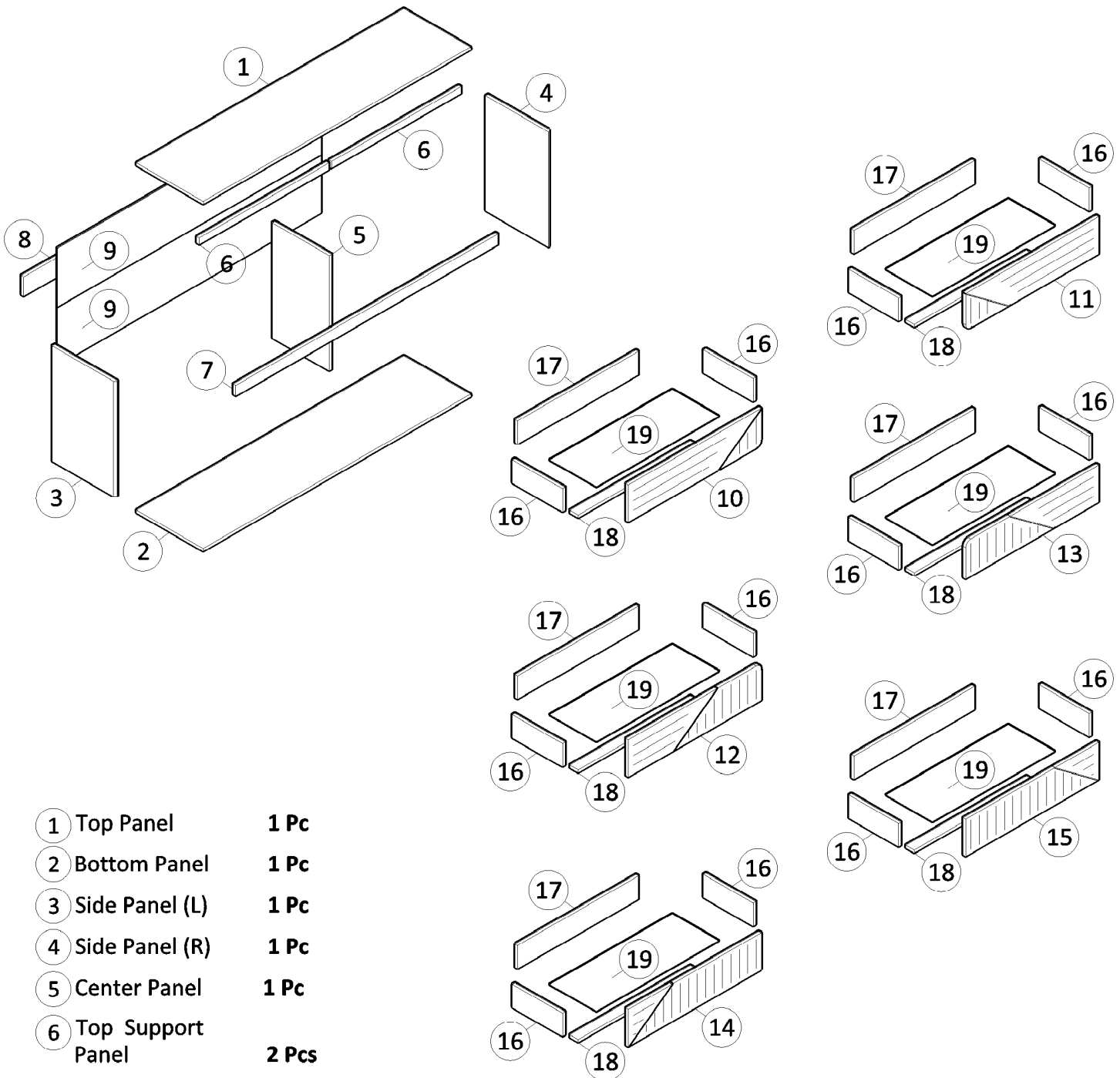
3. Insert Minifix M5X24mm and Minifix Casing together into the slot



4. Tighten the cam lock screw
※Use Allen Key or Screwdriver



Parts



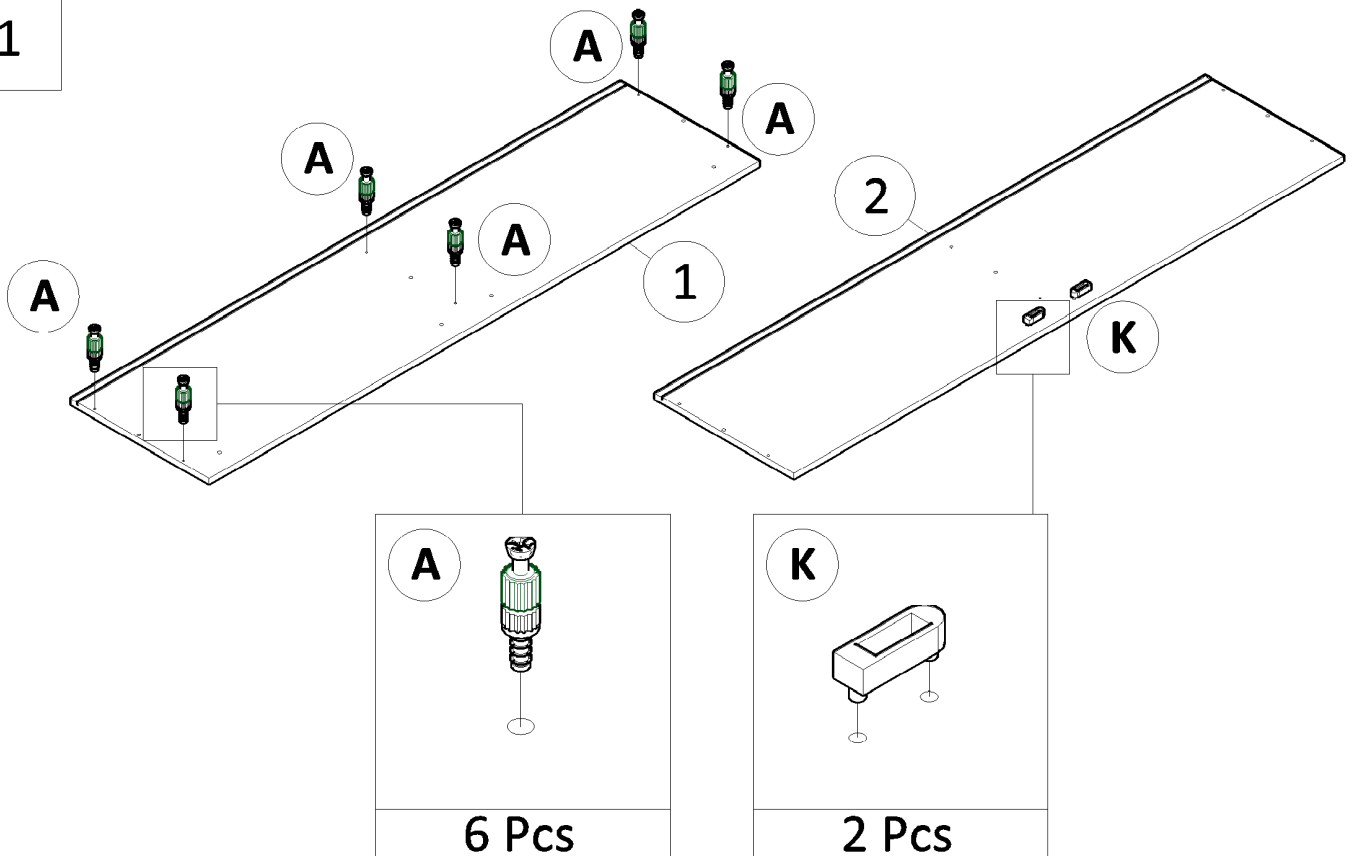
- ① Top Panel **1 Pc**
- ② Bottom Panel **1 Pc**
- ③ Side Panel (L) **1 Pc**
- ④ Side Panel (R) **1 Pc**
- ⑤ Center Panel **1 Pc**
- ⑥ Top Support Panel **2 Pcs**
- ⑦ Front Support Panel **1 Pc**
- ⑧ Back Support Panel **1 Pc**
- ⑨ Back Mdf Board **2 Pcs**
- ⑩ 1st Drawer Face Panel (L) **1 Pc**
- ⑪ 1st Drawer Face Panel (R) **1 Pc**
- ⑫ 2nd Drawer Face Panel (L) **1 Pc**
- ⑬ 2nd Drawer Face Panel (R) **1 Pc**

- ⑭ 3rd Drawer Face Panel (L) **1 Pc**
- ⑮ 3rd Drawer Face Panel (R) **1 Pc**
- ⑯ Drawer Side Panel **12 Pc**
- ⑰ Drawer Back Panel **6 Pcs**
- ⑱ Drawer Support Panel **6 Pcs**
- ⑲ Drawer Mdf Board **6 Pcs**

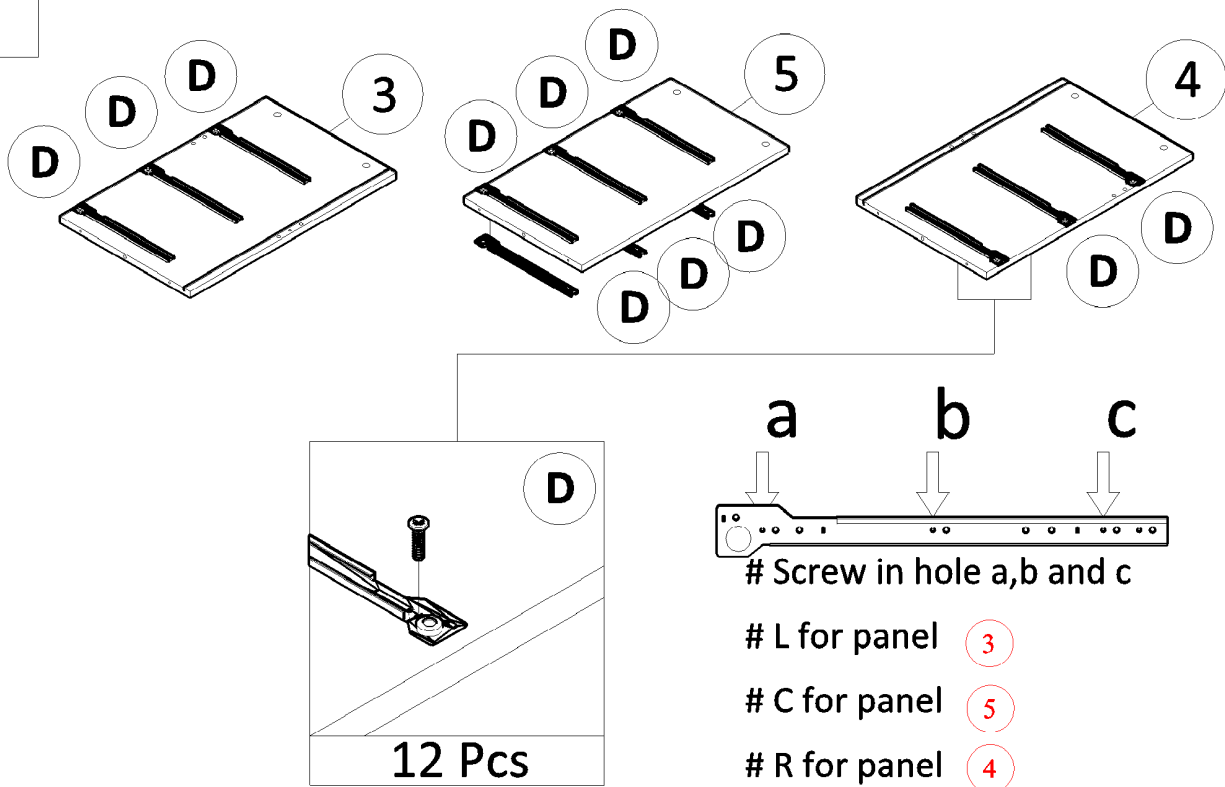
Assembly Step

Failure to follow these directions could cause poor strength or stability.
Insert screws loose to line up with slots then tighten up each screw.

1

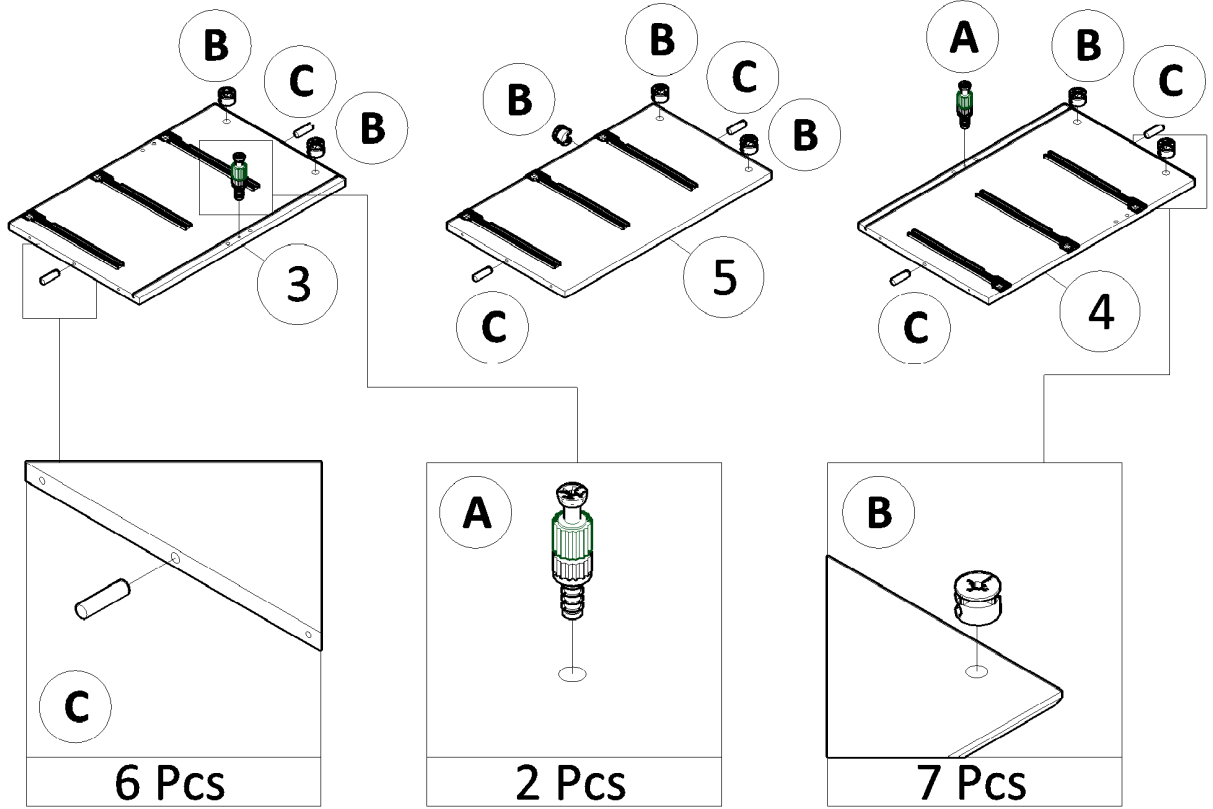


2

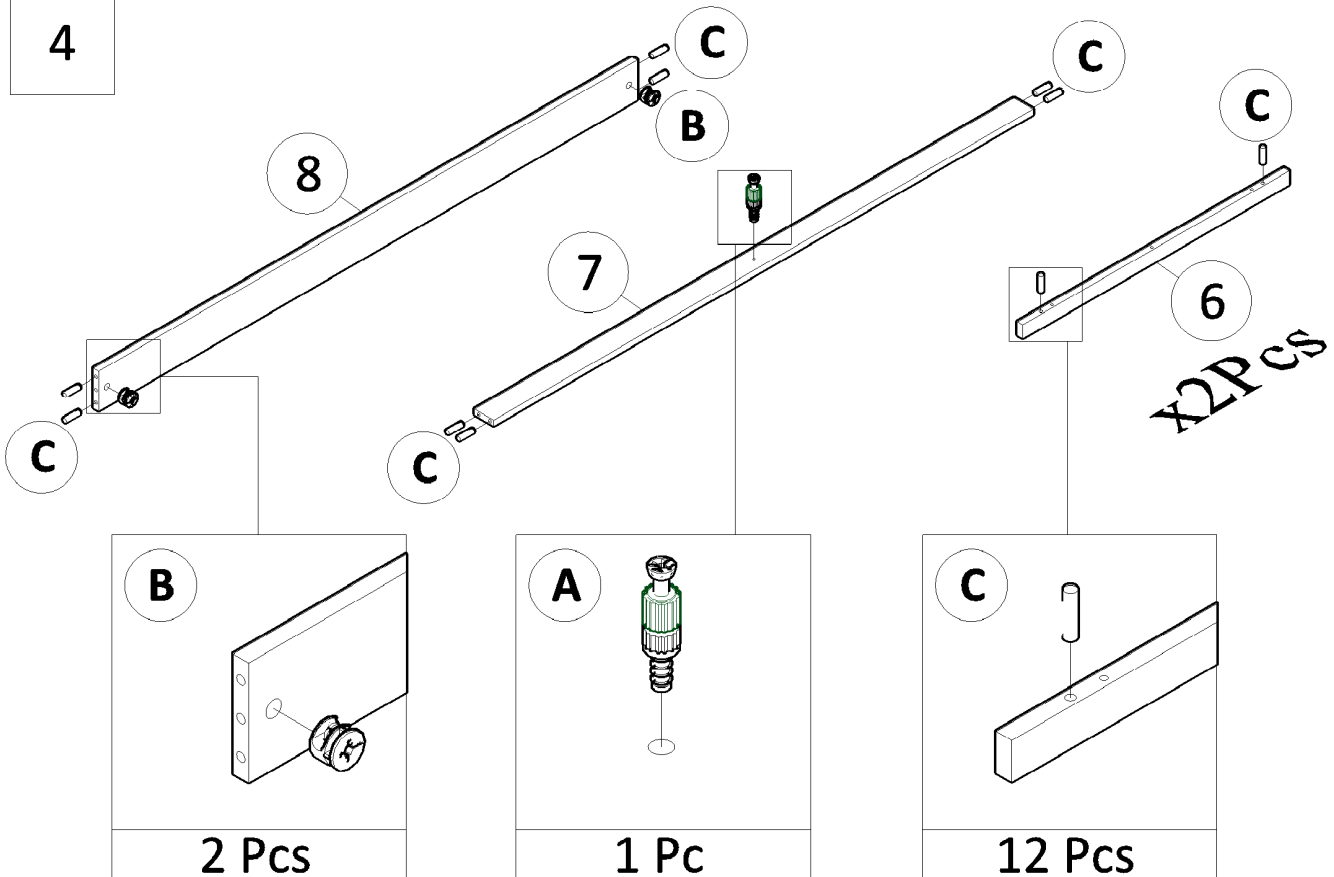


Assembly Step (Continue)

3

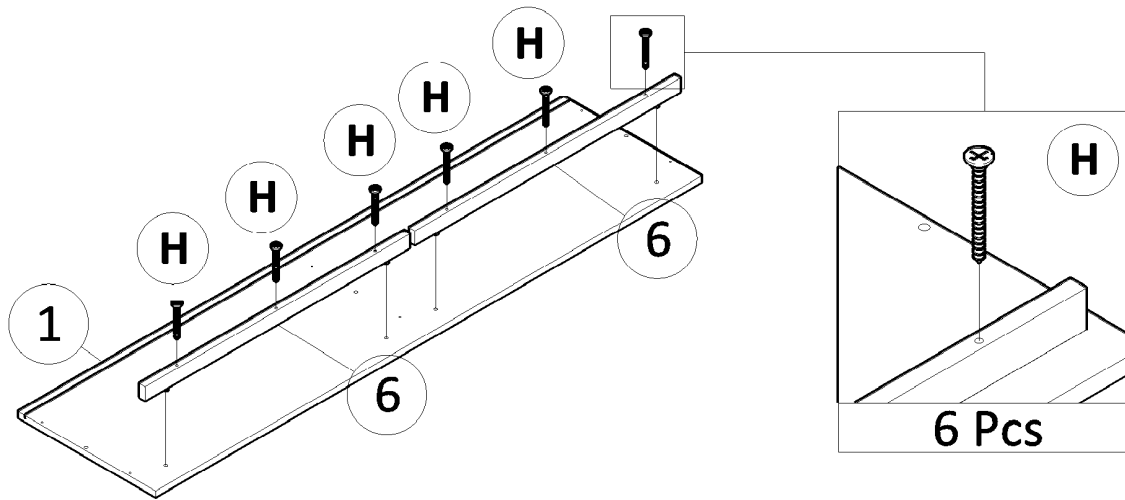


4



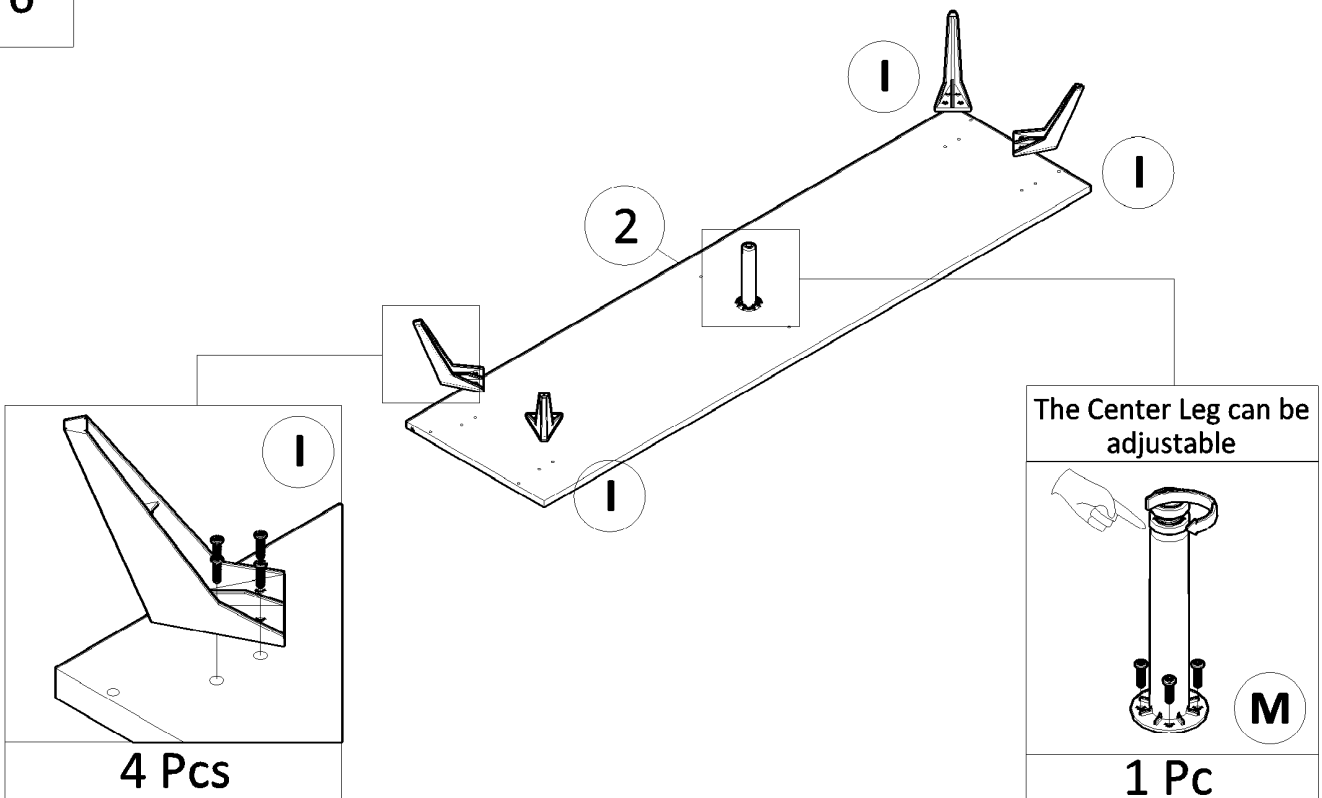
Assembly Step (Continue)

5



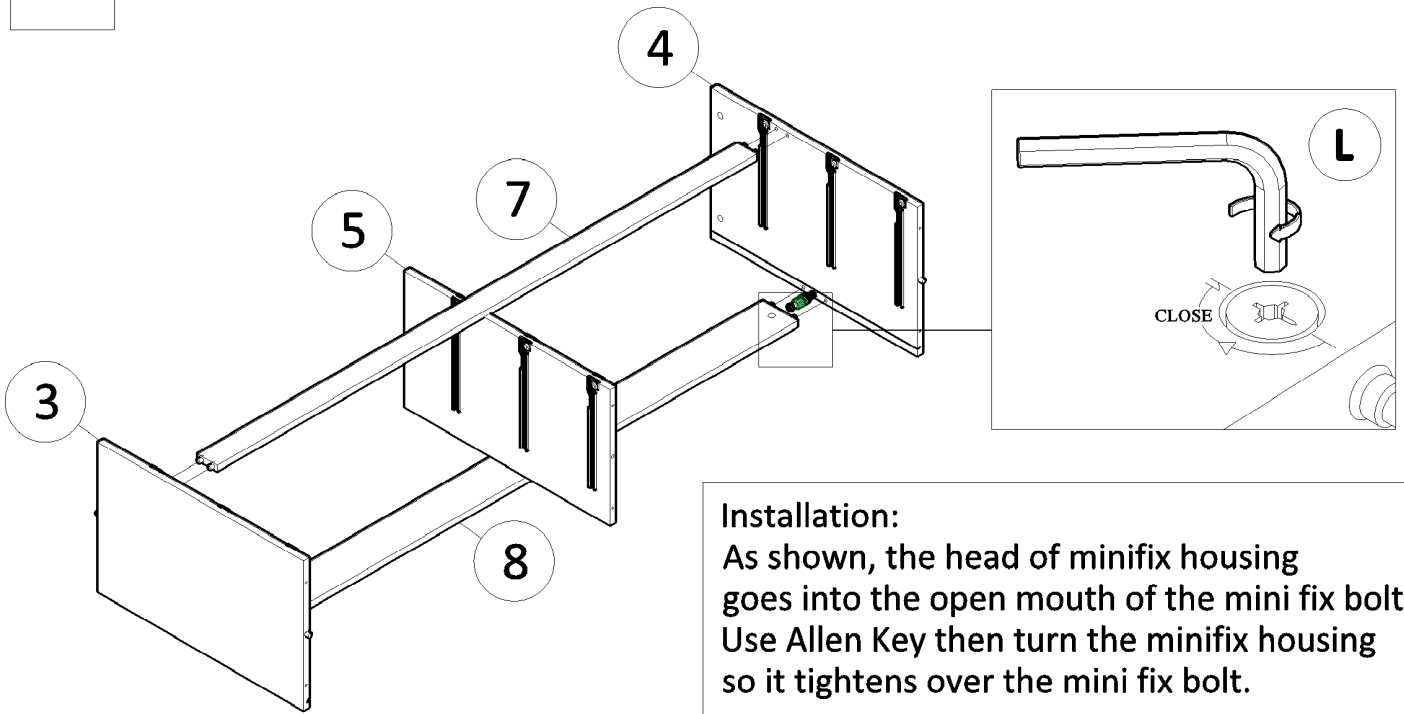
Installation:
As shown, use the screwdriver to make the screw goes into the hole until the screw is tight.

6

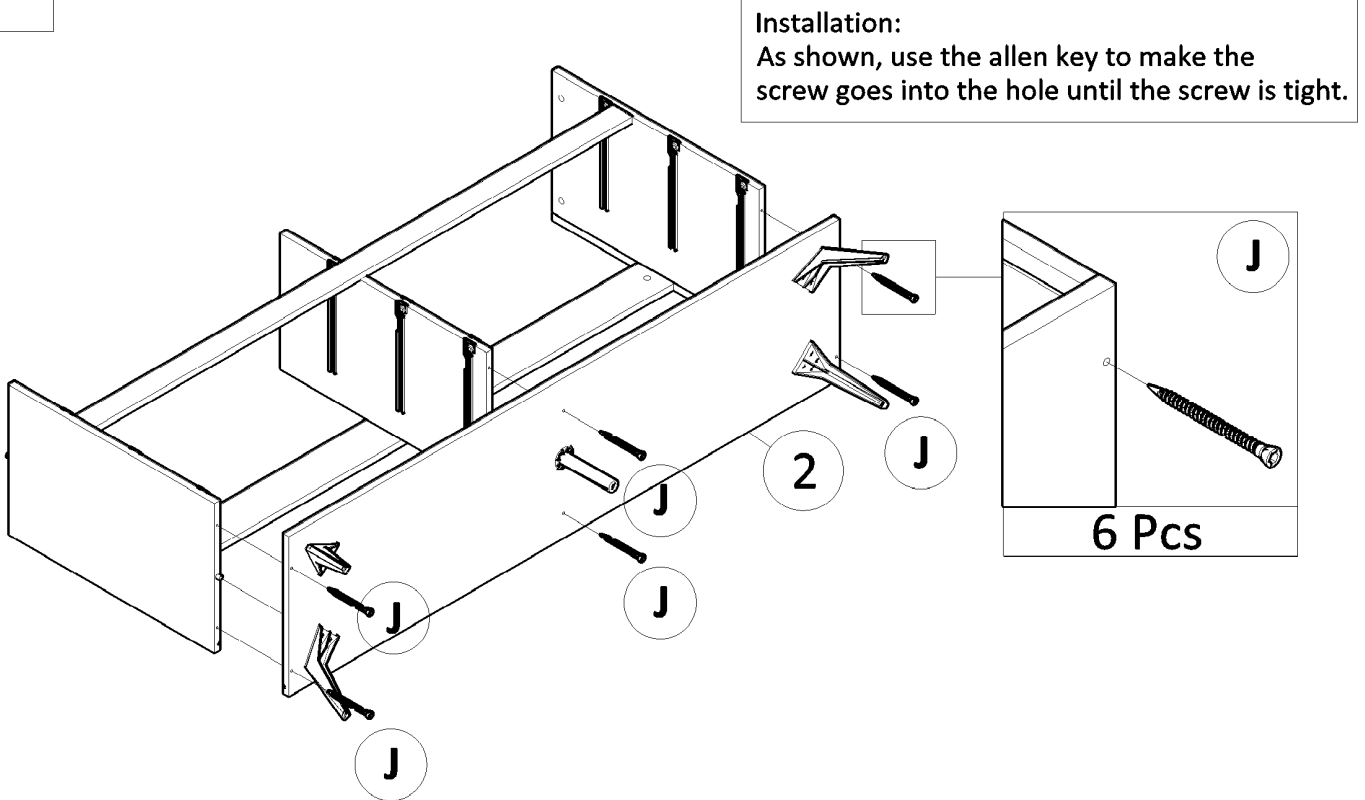


Assembly Step (Continue)

7

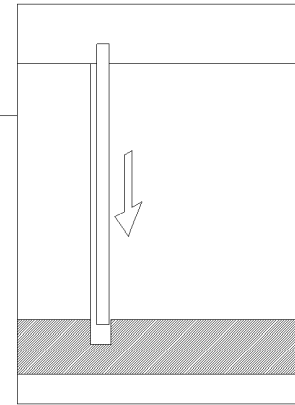
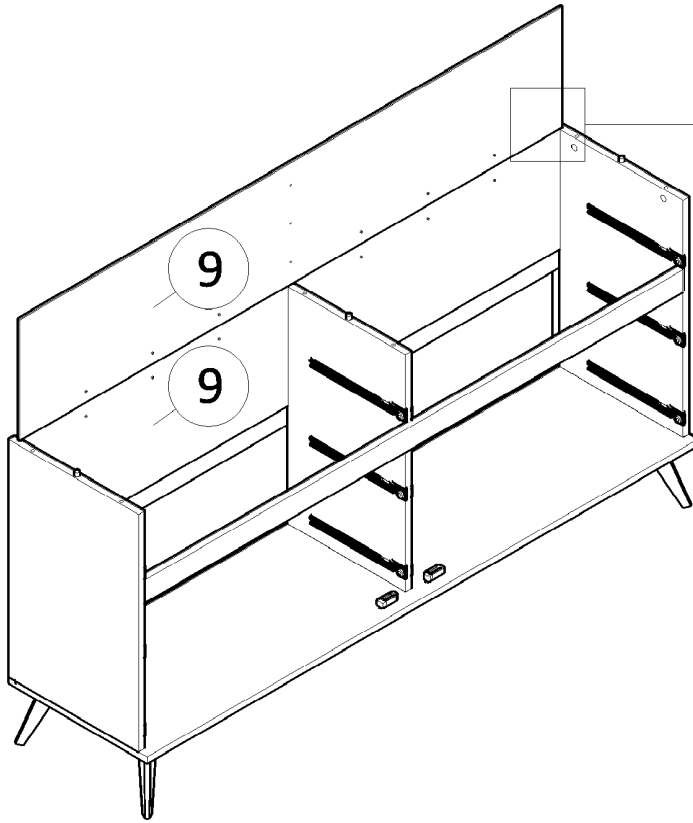


8

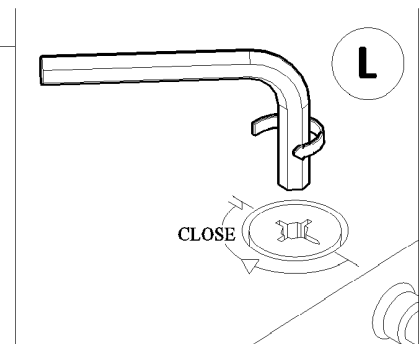
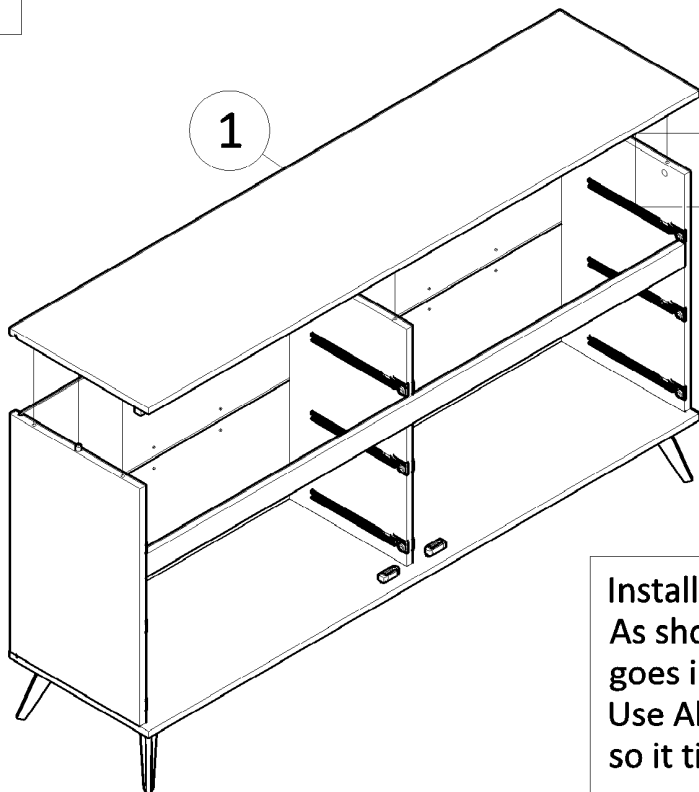


Assembly Step (Continue)

9



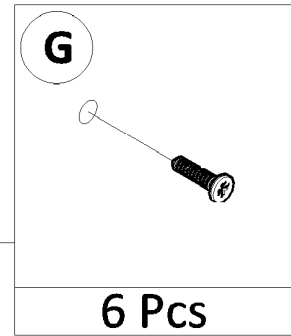
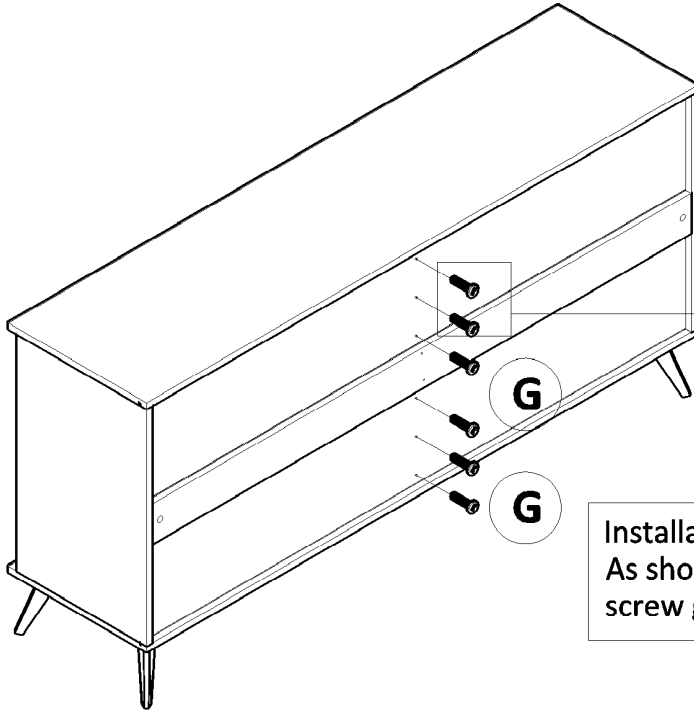
10



Installation:
As shown, the head of minifix housing goes into the open mouth of the mini fix bolt. Use Allen Key then turn the minifix housing so it tightens over the mini fix bolt.

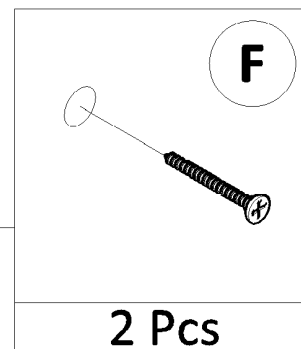
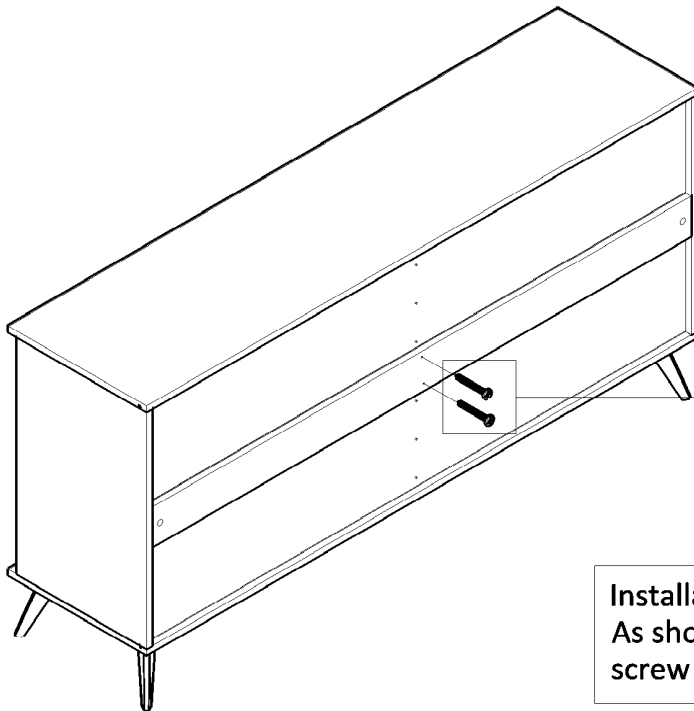
Assembly Step (Continue)

11



Installation:
As shown, use the screwdriver to make the screw goes into the hole until the screw is tight.

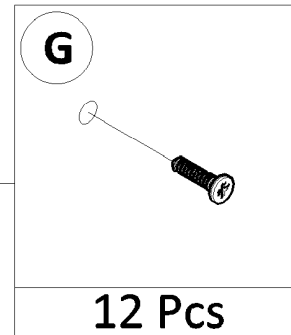
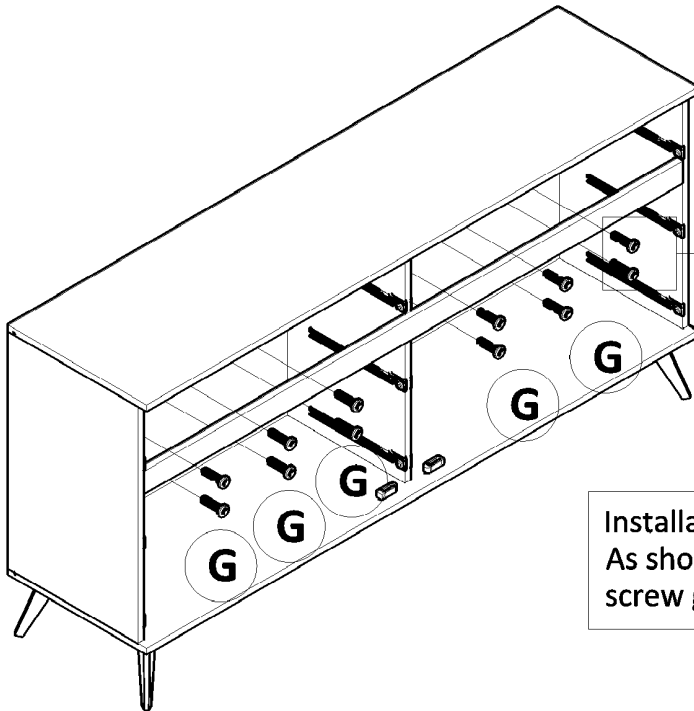
12



Installation:
As shown, use the screwdriver to make the screw goes into the hole until the screw is tight.

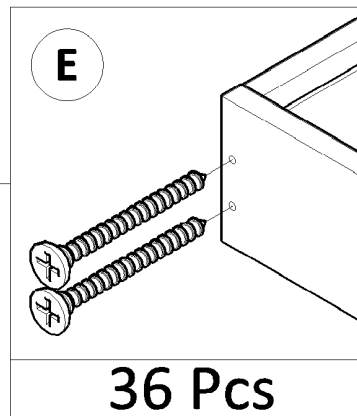
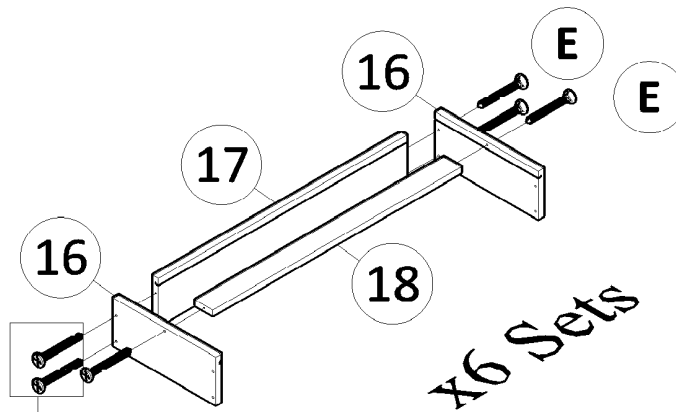
Assembly Step (Continue)

13



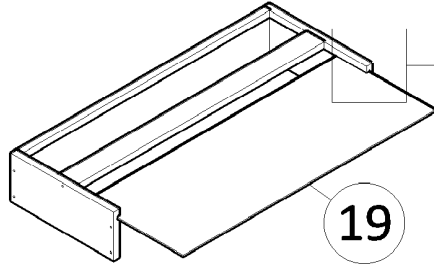
Installation:
As shown, use the screwdriver to make the screw goes into the hole until the screw is tight.

14

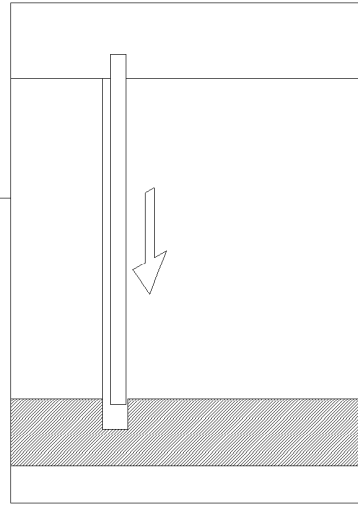


Assembly Step (Continue)

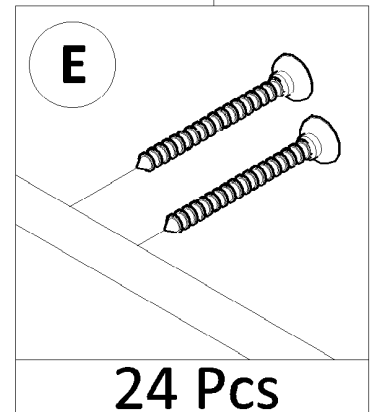
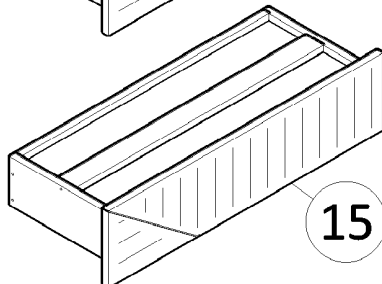
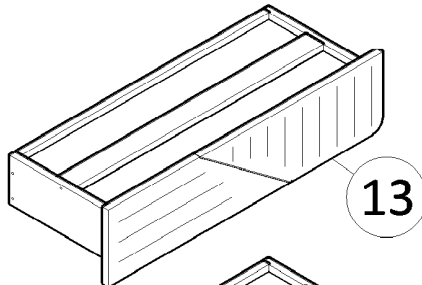
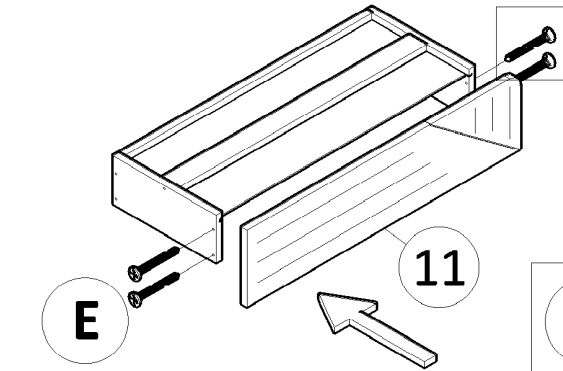
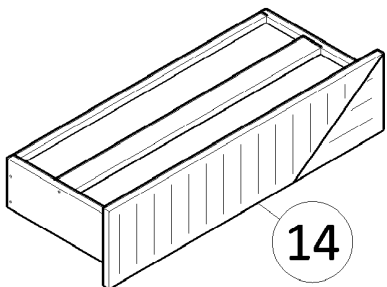
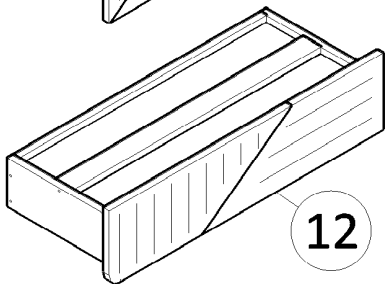
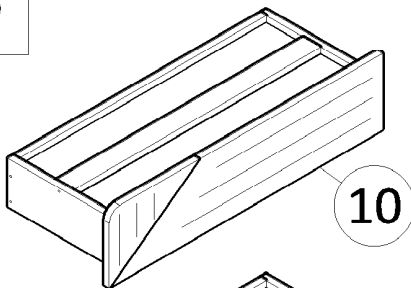
15



X6 Sets

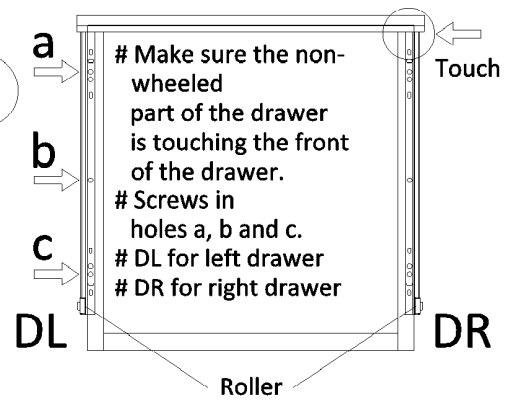
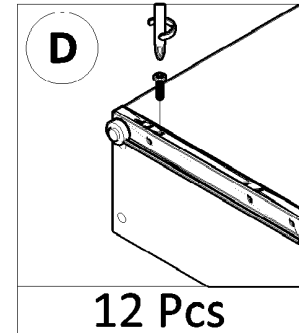
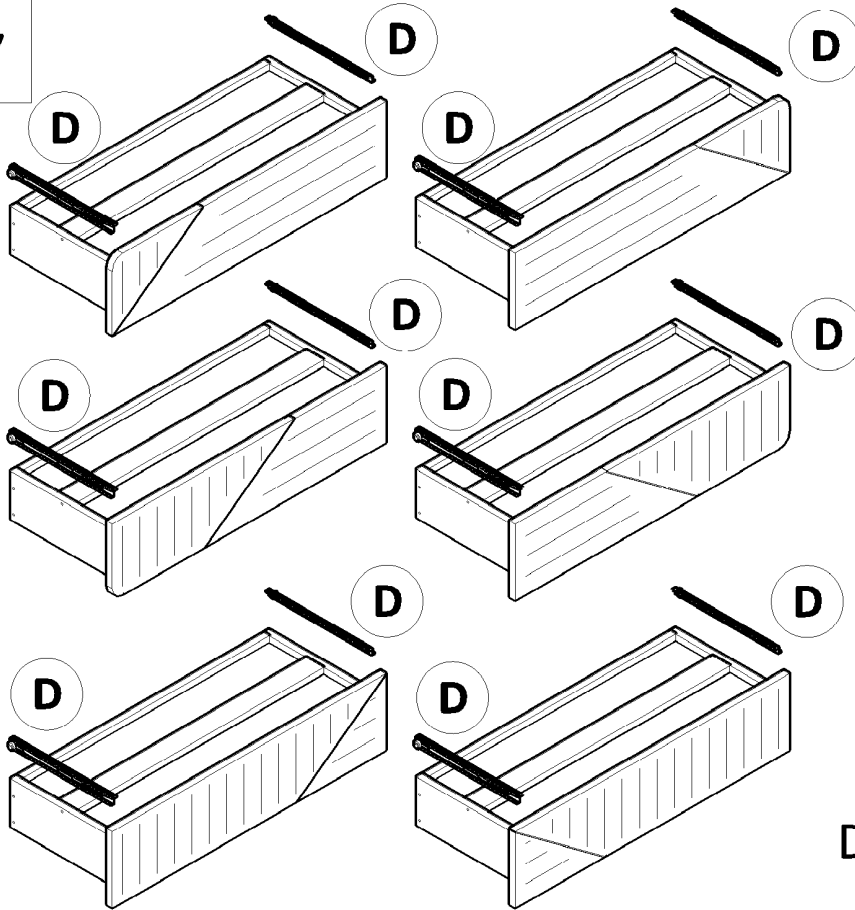


16



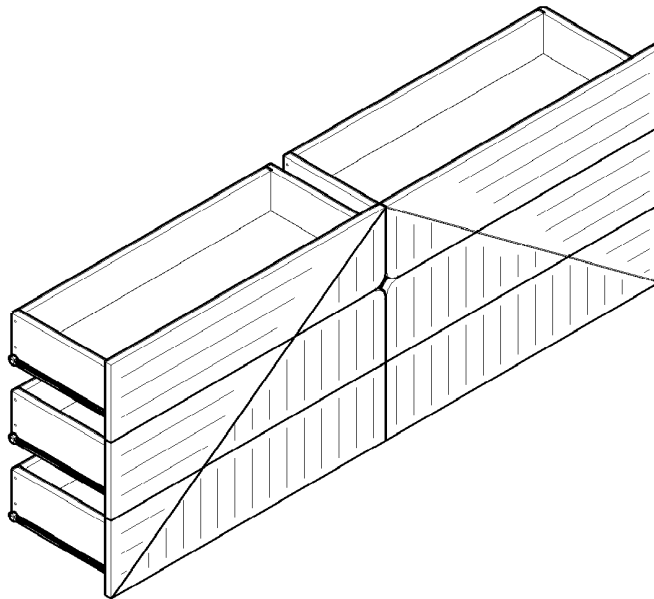
Assembly Step (Continue)

17



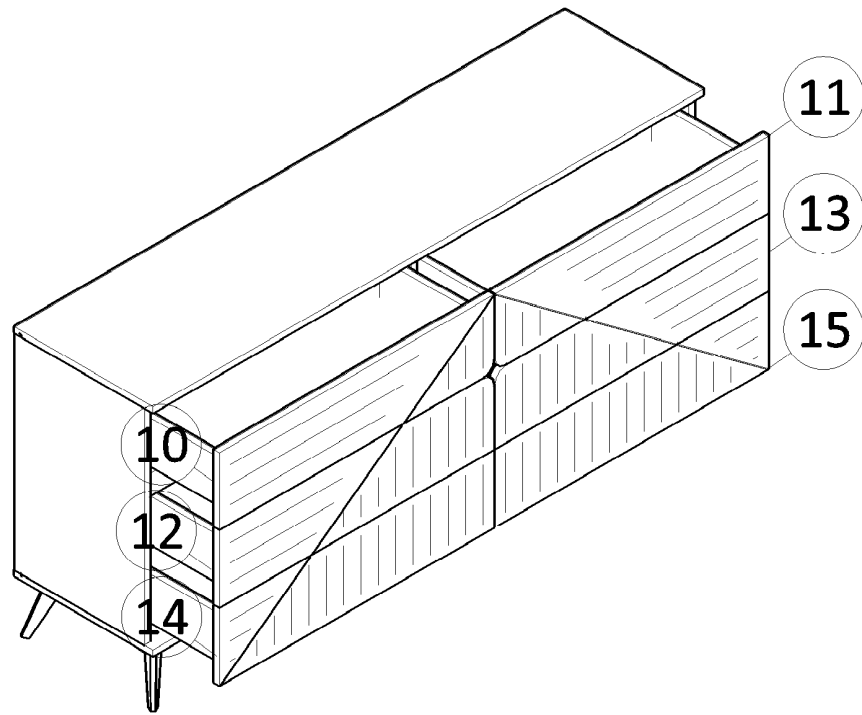
18

DRAWER COMPLETED

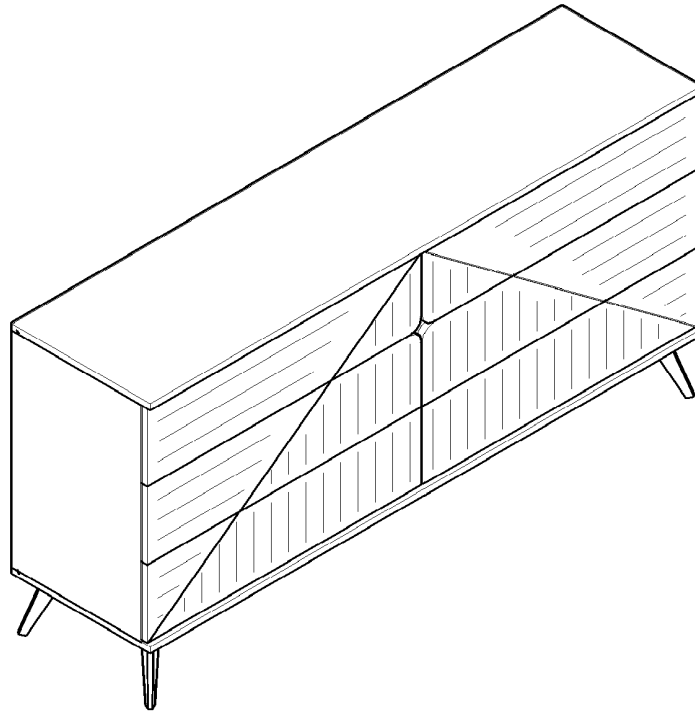


Assembly Step (Continue)

19



20 COMPLETED



Safety

Please read the below warnings before use.
Failure to follow these warnings could result in serious injury.



CAUTION !!!

Purpose

- Do not use this unit except for original application
- This unit is for household use. Do not use it for wholesale.
- This unit is for indoor use. Do not use it outside.

Assembly

- Assembling with 2 or more people is recommended
- Please assemble at a spacious and flat place
- Please place blankets or cardboard so floor or walls will not be scratched
- Please ventilate the area if there is strong glue odor after opening the product
- Please follow assembly instructions

Placing The Unit

- Store the unit on a flat surface.
- Place a mat under the unit if you place it on wood floors for floor protection
- Do not place the unit in areas where conditions are extreme, such as direct sun or a humid place
- Do not place the unit in a hot or humid area, such as near the heater or fireplace

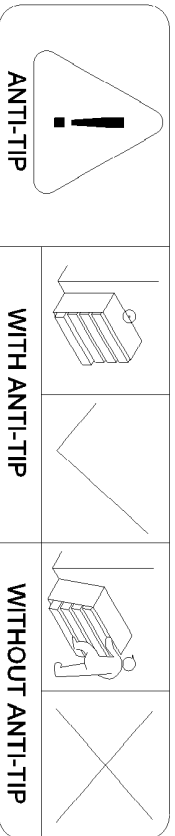
Usage

- Please check your surroundings when you use this unit
- Do not place any hot or wet objects on the unit
- Remove all objects on the unit when you move it
- Do not leave water or wet objects on the surface.
- Do not use it for toys
- Do not stand on it or use it for a step stool.
- Do not overload only the top drawers. Load the same amount to help prevent tipping of the unit.
- Do not leave drawers open or put pressure on opened drawers to help prevent falling or wrecking.
- Do not stand or put pressure on opened drawers.
- Colors could fade
- Please open drawers slowly
- Make sure you do not catch your finger when you use the drawer.
- Weight Capacity Top insert: About **30KG** , Shelf insert: About **10KG**,
※ These are measured figures, not guaranteed figures

Cleaning

- Please check all assembled parts are tight regularly. (About once a month)
- Use dry soft cloths for dust and spots
- For heavy spots, use clothes with neutral detergent then dry in a well ventilated area.
- Do not use if any parts are broken.
- Please recycle the unit or its package depending on your city rules.

ANTI-TIP DEVICE INSTALLATION INSTRUCTION

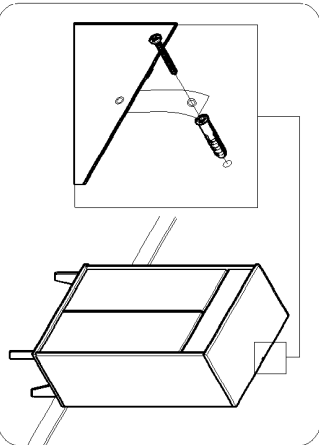
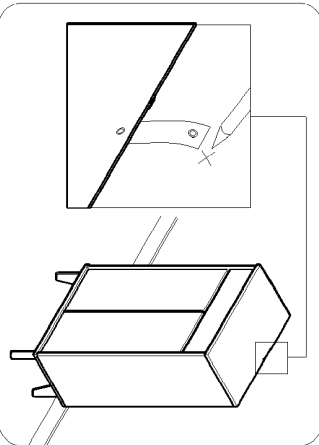
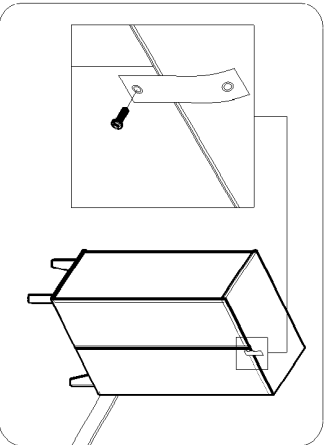
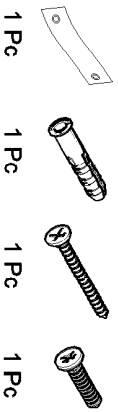


Installation Instruction :


A tip restraint must be attached to a wall stud using the 2" screw enclosed.


1. Attach a strap to the back top rail or back top edge of the furniture using the 5/8" screw provided.
2. Locate the strap on the wall over a wall stud and 2 inches below the mounting strap secured to the back of your unit. Attach to the wall stud using the 2" screw provided, through the smaller hole.
3. Place the furniture into position so both mounting strap are vertically in line.
4. Lace the end of the restraint strap through the larger hole in each mounting strap. Bring both ends together and slide the flat end through the locking end and draw it through until all slack is removed.
5. Confirm that the strap is securely laced and locked.

Part Include :



IMPORTANT SAFETY INSTRUCTIONS
Read and follow all instructions when using the range to prevent the risk of personal injury or damage. This guide does not cover all possible conditions that may occur. Always contact your service agent or manufacturer about problems that you do not understand.

 This is the safety alert symbol. This symbol alerts you to potential hazards that can result in property damage and/or serious bodily harm or death. All safety messages will follow the safety alert symbol and either the word **WARNING** or **CAUTION**. These words means:

 **WARNING** - Indicates a hazardous situation which, if not avoided, could result in death or serious injury.

 **CAUTION** - Indicates a hazardous situation which, if not avoided, could result in minor or moderate injury.

ANTI-TIP DEVICE

WARNING

- **TO REDUCE THE RISK OF TIPPING, THE APPLIANCE MUST BE SECURED BY A PROPERLY INSTALLED ANTI-TIP DEVICE. TO CHECK IF THE DEVICE IS INSTALLED PROPERLY, VERIFY THAT ANTI DEVICE IS ENGAGED, OR GRASP THE TOP REAR EDGE OF THE RANGE BACK GROUND AND CAREFULLY ATTEMPTED TO TILT IT FORWARD.** Refer to the installation section for instructions.
- A child or adult can tip the range and be killed.
- Install the anti-tip device to the structure and/or the range. Verify the anti-tip device has been properly installed and engaged following the instructions on the anti-tip bracket template.
- Engage the range to the anti-tip device following the instructions on the anti-tip bracket template. Ensure the anti-tip device is re-engaged when the range is moved by following the instruction on the anti-tip bracket template.
- Re-engage the anti-tip device if the range is moved. Do not operate the range without the anti-tip device in place and engaged.
- See installation instruction for details.
- Failure to do so can result in death or serious injury to children or adults.
- Never remove the dresser/chest of drawer legs. The range will not be secured to the anti-tip bracket if the legs are removed.
- Do not step or sit on drawers. The range could be tipped and injury might result.
- Do not rest large heavy items on the open drawer. The range could tip forward and cause injury.
- Re-engage the anti-tip device after pulling the range out for moving or any other reason.
- Failure to follow these instructions can result in serious injury or death to children or adults.

Manufactured by : **SAE Enterprise Sdn Bhd** 03/2018
Address : **PL0 65, No:K16, Kawasan Perindustrian Tanjung Agas, 84000 Muar, Johor, West Malaysia.**