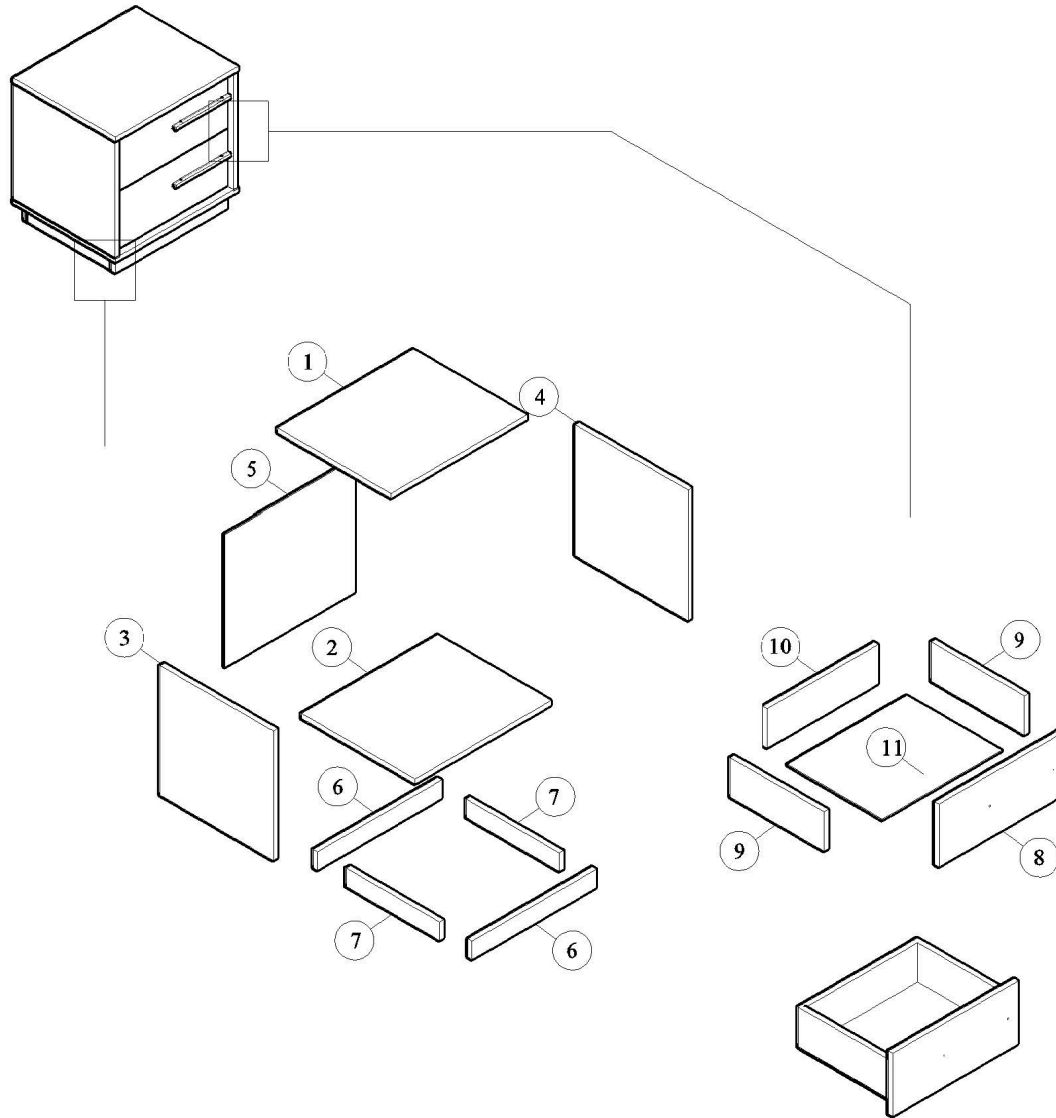






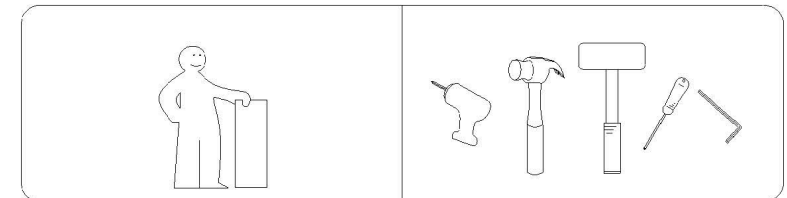
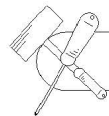


PANEL POSITION



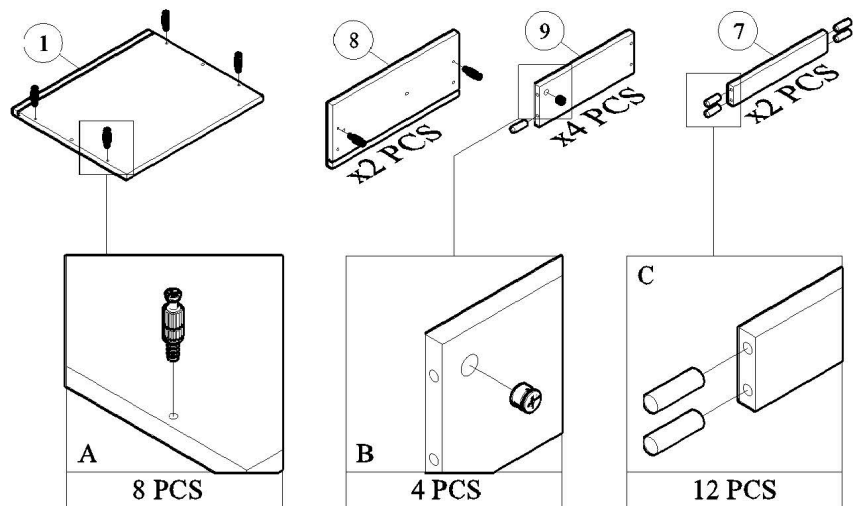
	ACCESSORIES	QUANTITY
A	 MINIFIX M5 x 24MM	8 PCS
B	 MINIFIX CASING	8 PCS
C	 WOOD DOWEL M8 x 30MM	16 PCS
D	 DRAWER SLIDE 12" SCREW M3.5 x 12MM	2 SETS 24 PCS
E	 SCREW M6 x 50MM	4 PCS
F	 SCREW M4 x 38MM	8 PCS
G	 POWER PIN	10 PCS
H	 PVC HANDLE (LONG) SCREW M4 x 28MM	2 PCS 4 PCS
I	 ALLEN KEY	1 PC
J	 SCREW M4 x 65MM	4 PCS
K	 L-SHAPE PVC LEG SCREW M3.5 x 16MM	4 PCS 8 PCS



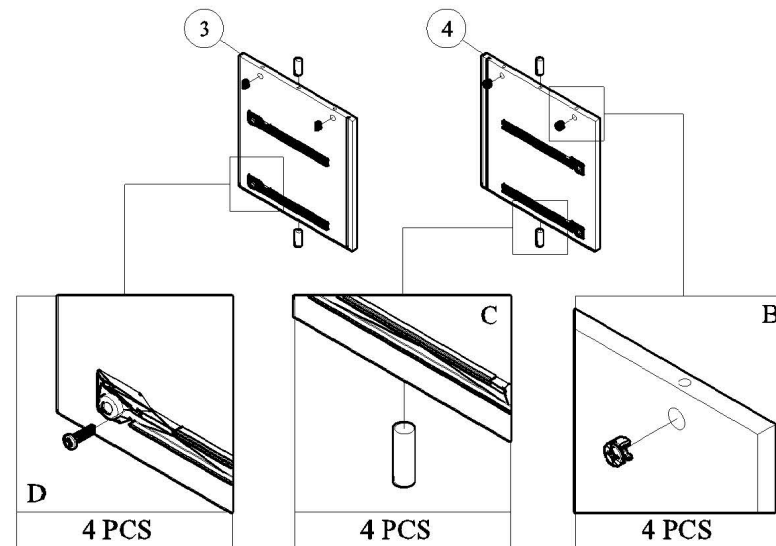


START ASSEMBLY

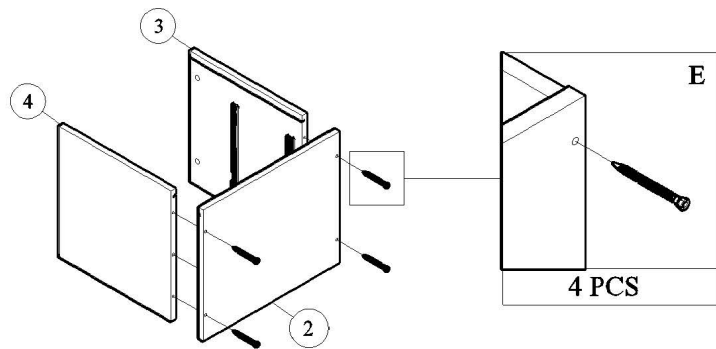
STEP 1



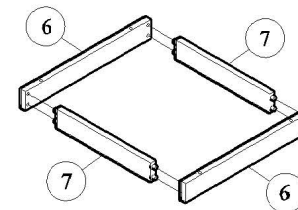
STEP 2



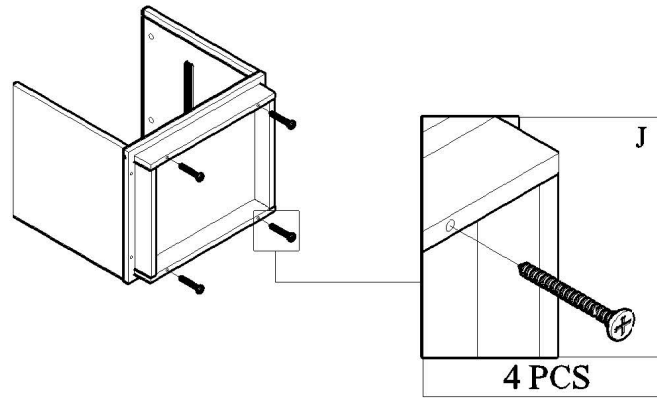
STEP 3



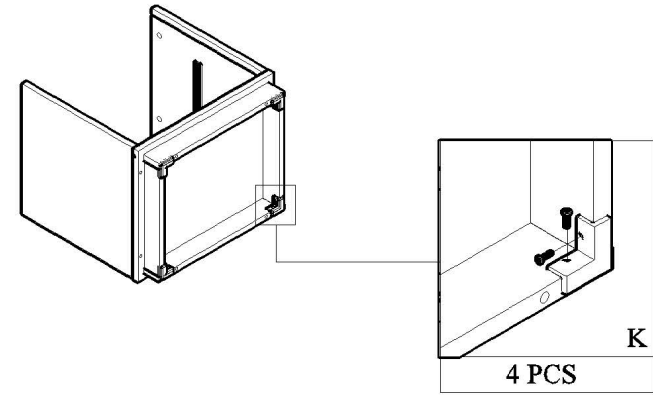
STEP 4



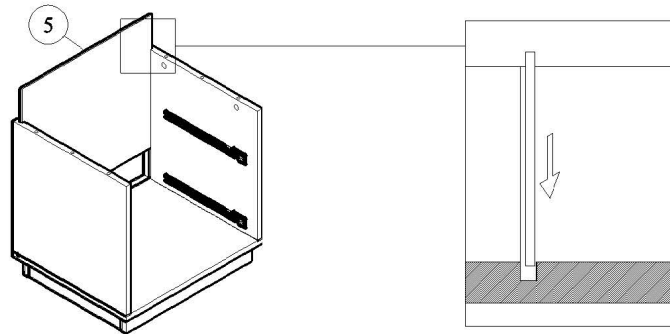
STEP 5



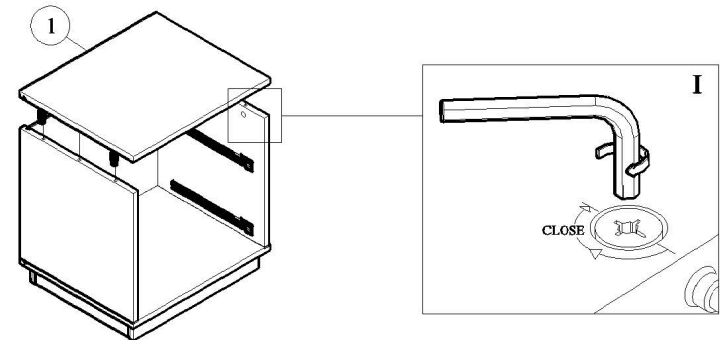
STEP 6



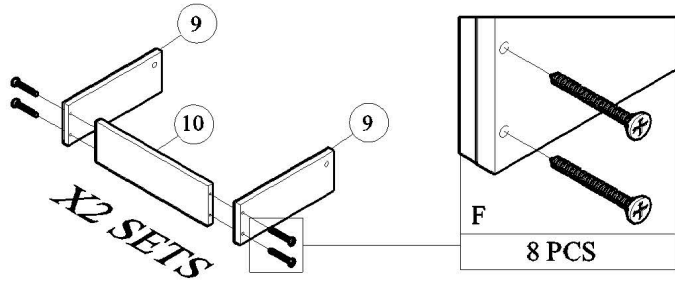
STEP 7



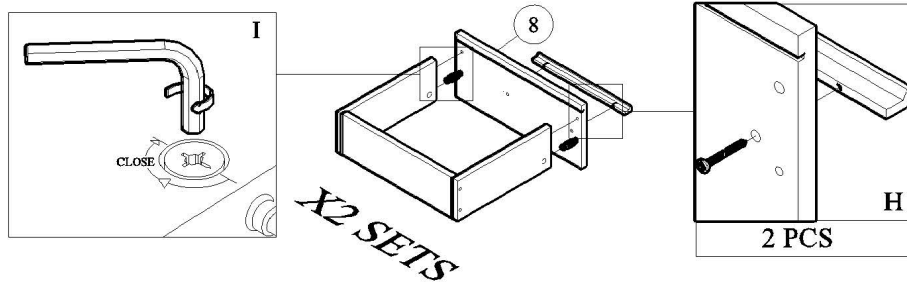
STEP 8



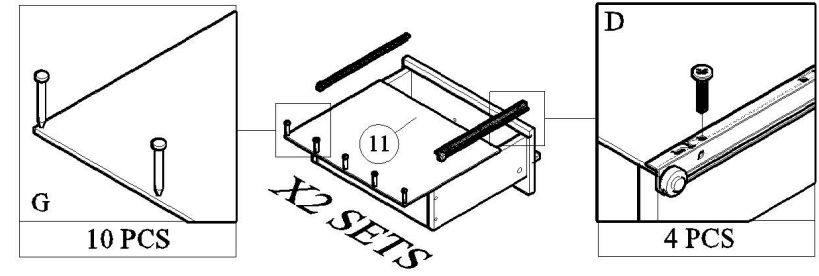
STEP 9



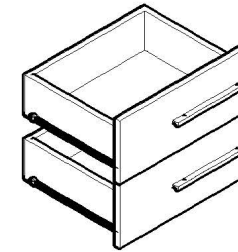
STEP 10



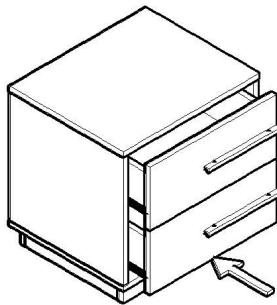
STEP 11



DRAWER COMPLETED



STEP 12



COMPLETED

