
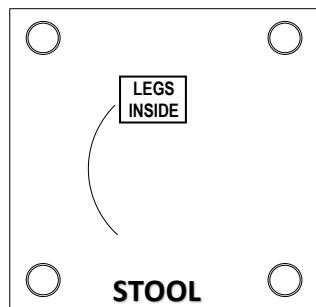
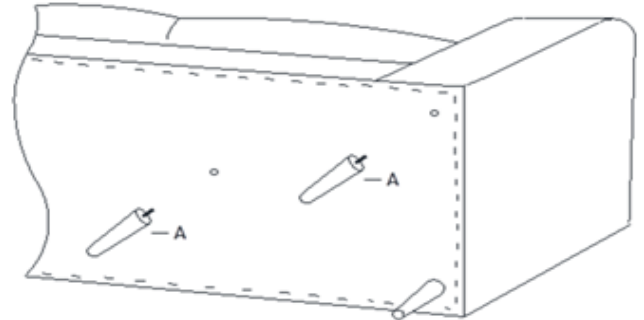
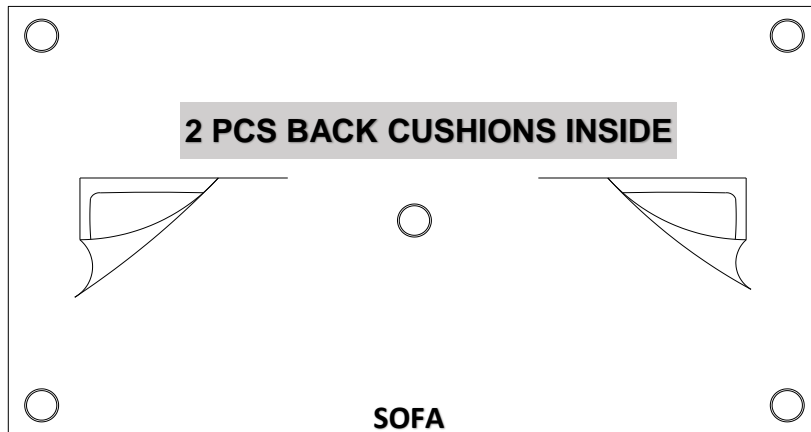


Assembly Instruction

Model : 941-1

ASSEMBLY PARTS		SOFA	STOOL	
A		PLASTIC LEG	5 PCS	4 PCS



STEP 1 :

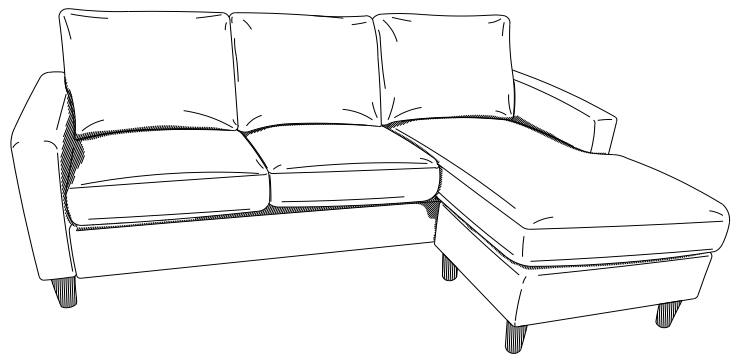
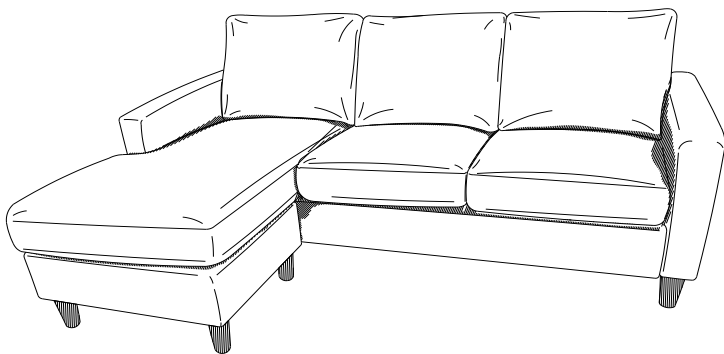
Turn over the item and take out the plastic leg and back cushion from zippered pouch.

STEP 2 :

Take one of plastic leg (A) as shows in the diagram. Tighten the plastic leg by turning it clockwise untill its tight enough.

Repeat the same method until all the plastic leg been assembled.

Interchangeable chaise for Left/Right



The job is now complete!

Please dispose of packaging thoughtfully

FOR LEATHER and P.U CLEANING (Code "X")

- Clean by lightly brushing and vacuuming only to remove dust and particles buildup.
- Water-based foam cleaner or solvent based cleaning agents of any kind may cause excessive shrinking, staining or distortion of the surface pile and, therefore, should not be used.

FOR FABRIC CLEANING (Code "WW")

- Use water-based agents only.
- Do not use solvents.
- Gently remove stains by blotting or hang washing.
- Do not use excessive brushing or rubbing.