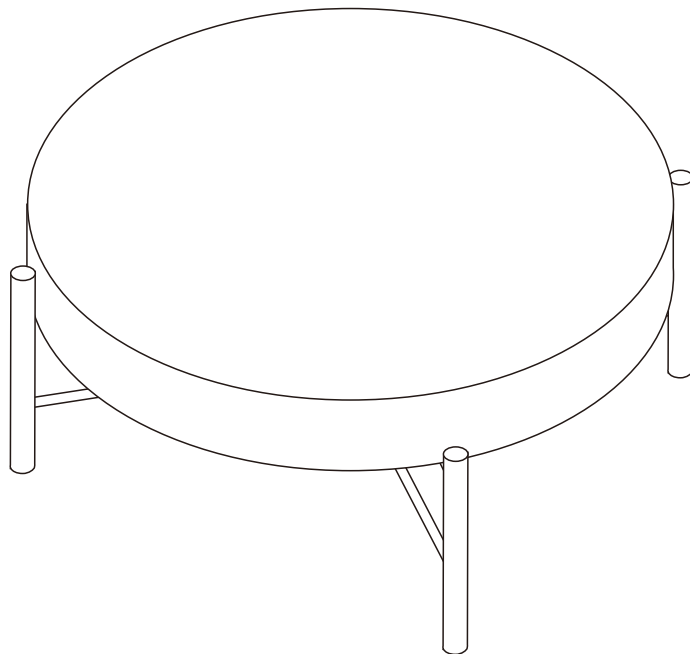
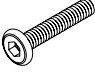

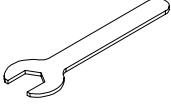
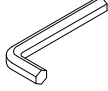
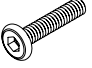


Coffee table

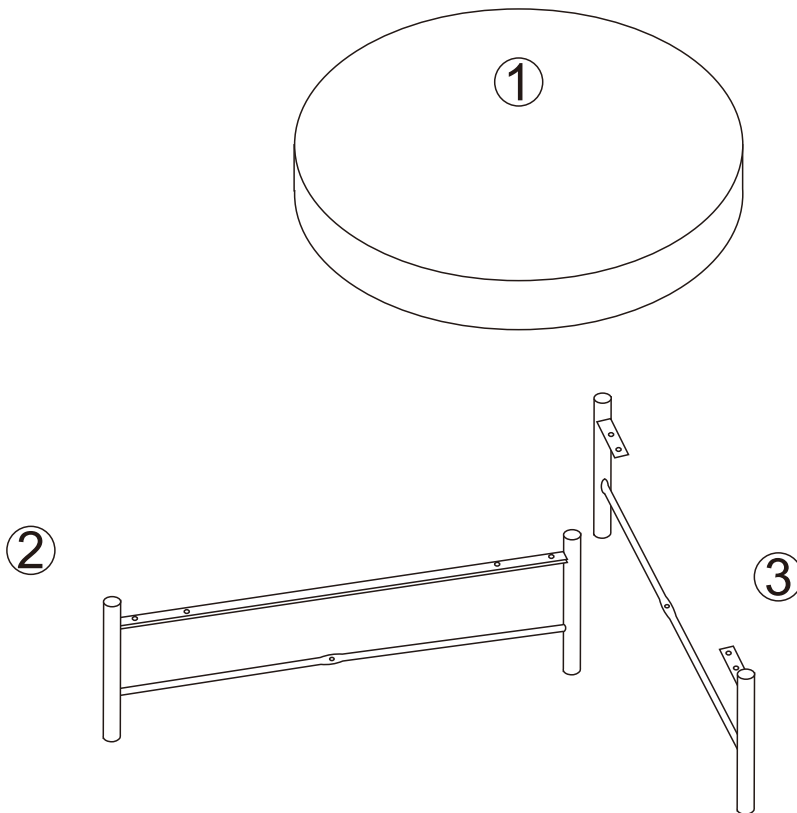


ASSEMBLY INSTRUCTION

HARDWARE LIST

A 8 PCS		B 1 PC		C 1 PC		D 1 PC		E 1 PC	
-------------------	---	------------------	---	------------------	---	------------------	---	------------------	---

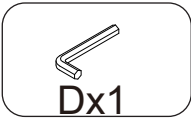
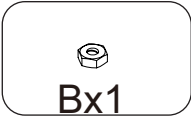
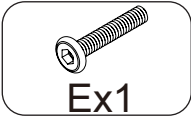
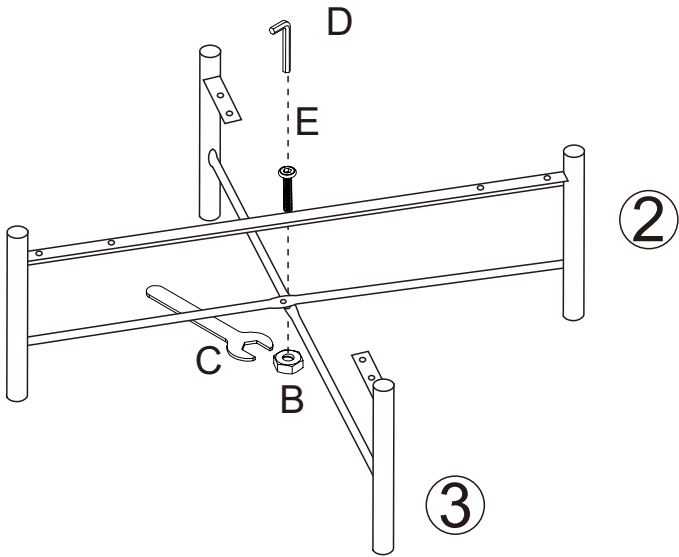
PARTS LIST



ASSEMBLY STEPS

STEP 1.

Fix part 2 to part 3 using bolt (E) and allen key (D), as shown.
Fit nut (B) to bolt using spanner (C), as shown. Turn clockwise to tighten.



STEP 2.

Fix part 1 to assembled unit using screws (A) and allen key, as shown.

