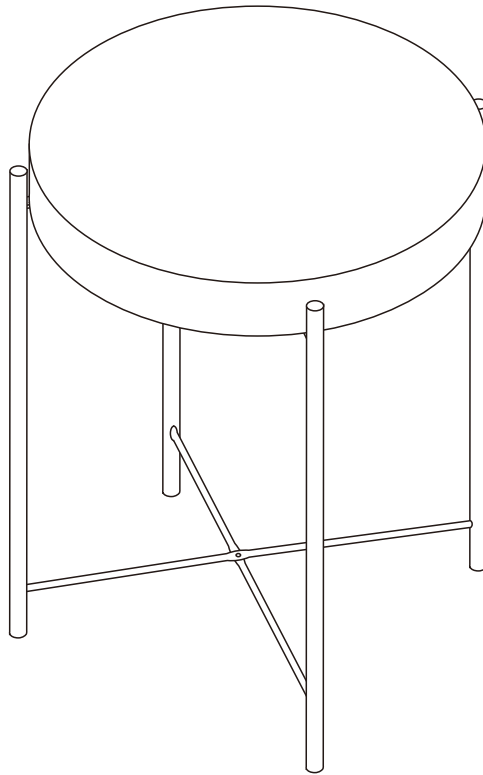
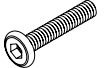
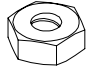
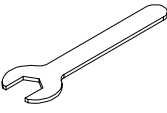
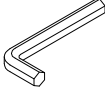



# End table

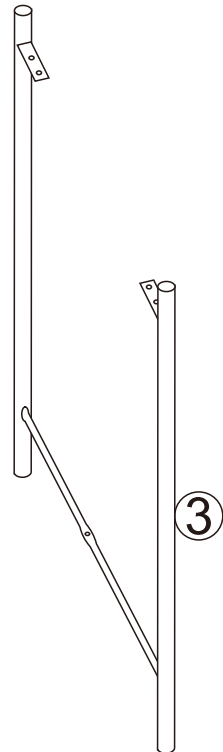
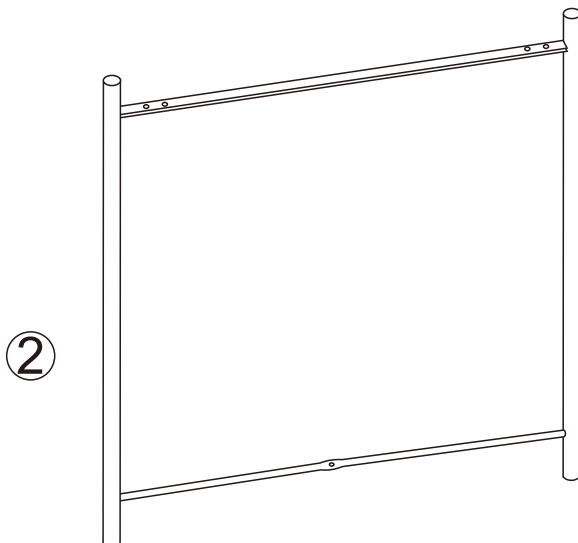
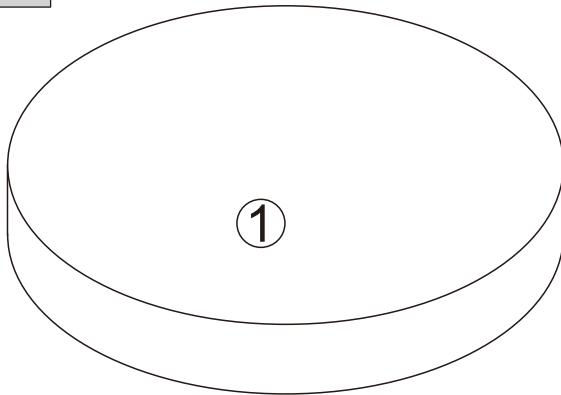


## ASSEMBLY INSTRUCTION

# HARDWARE LIST

<b>A</b> 8 PCS		<b>B</b> 1 PC		<b>C</b> 1 PC		<b>D</b> 1 PC		<b>E</b> 1 PC	
-------------------	---	------------------	---	------------------	---	------------------	---	------------------	---

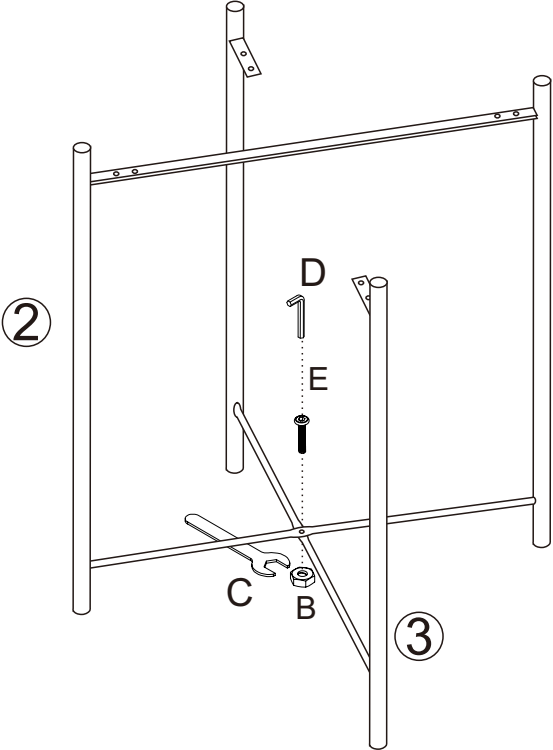
# PARTS LIST



# ASSEMBLY STEPS

## STEP 1.

Fix part 2 to part 3 using bolt (E) and allen key (D), as shown.  
Fit nut (B) to bolt using spanner (C), as shown. Turn clockwise to tighten.



## STEP 2.

Fix part 1 to assembled unit using screws (A) and allen key, as shown.

