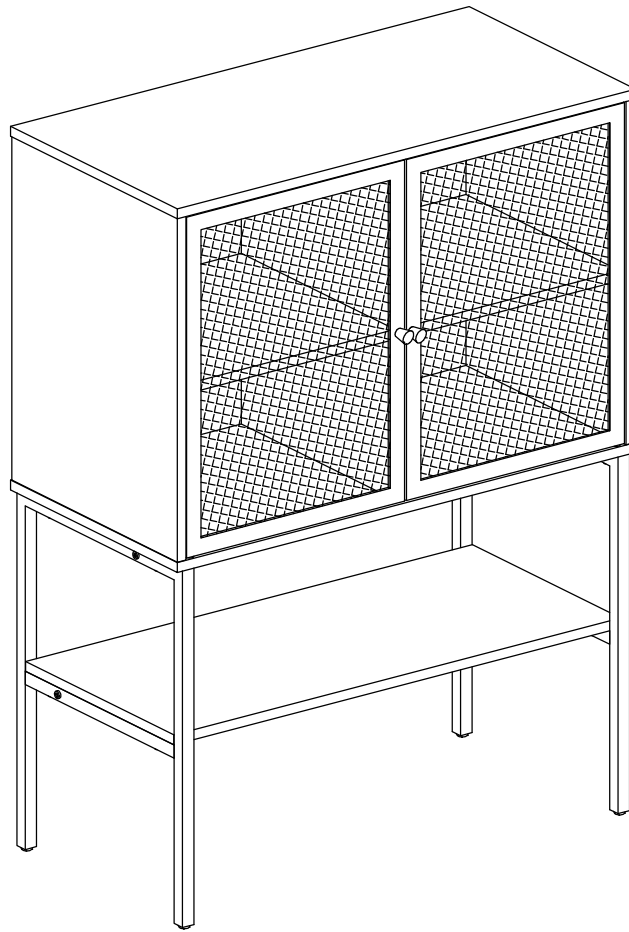


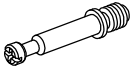





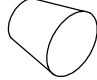

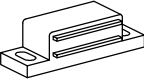

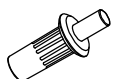


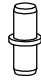


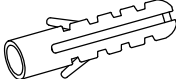


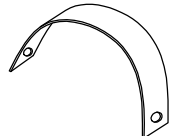
SIDEBOARD



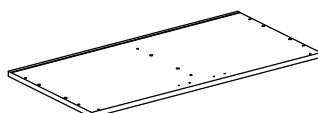
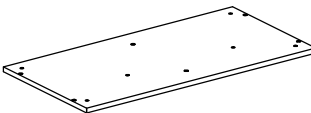
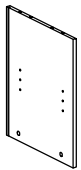
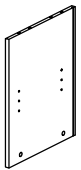
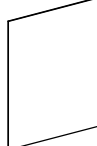
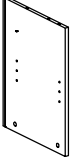
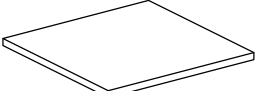
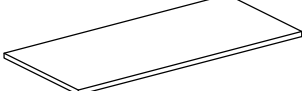
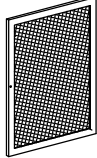

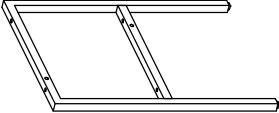
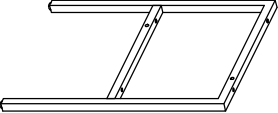
ASSEMBLY INSTRUCTION

Date last updated: 6-21-2022

HARDWARE LIST

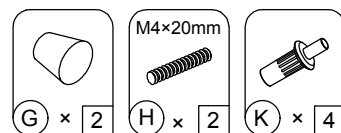
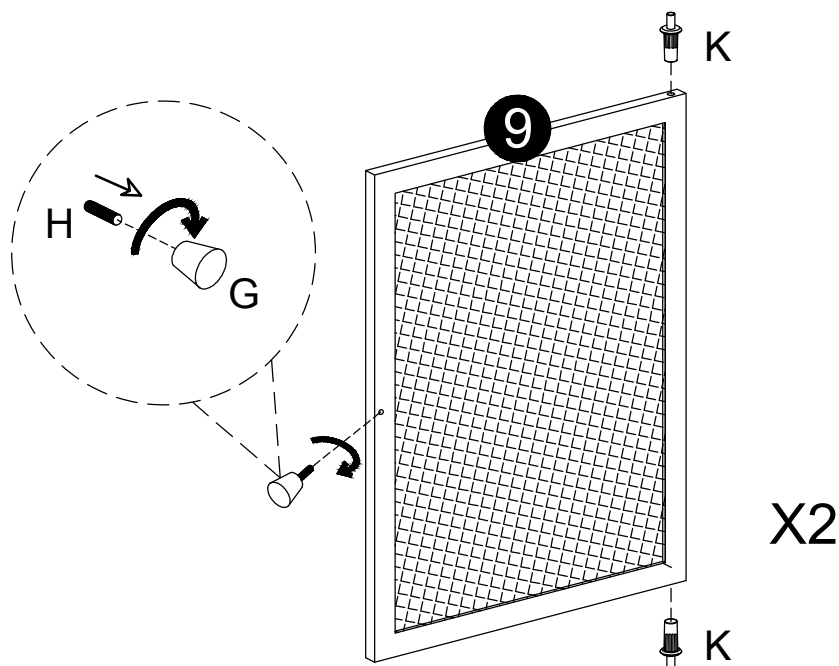
A		B		C		D	
6 pcs	M6×35mm	6 pcs	Ø15×12mm	12 pcs	Ø7.8×30mm	6 pcs	7×38mm
E		F		G		H	
4 pcs	M6×40mm	12 pcs	M6×30mm	2 pcs		2 pcs	
I		J		K		L	
2 pcs		4 pcs	M3.5×14mm	4 pcs		1 pc	
M		N		O		P	
4 pcs		8 pcs		8 pcs		8 pcs	M3×14mm
Q		R		S		T	
1 pc		1 pc		1 pc		1 pc	

PARTS LIST

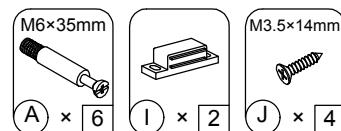
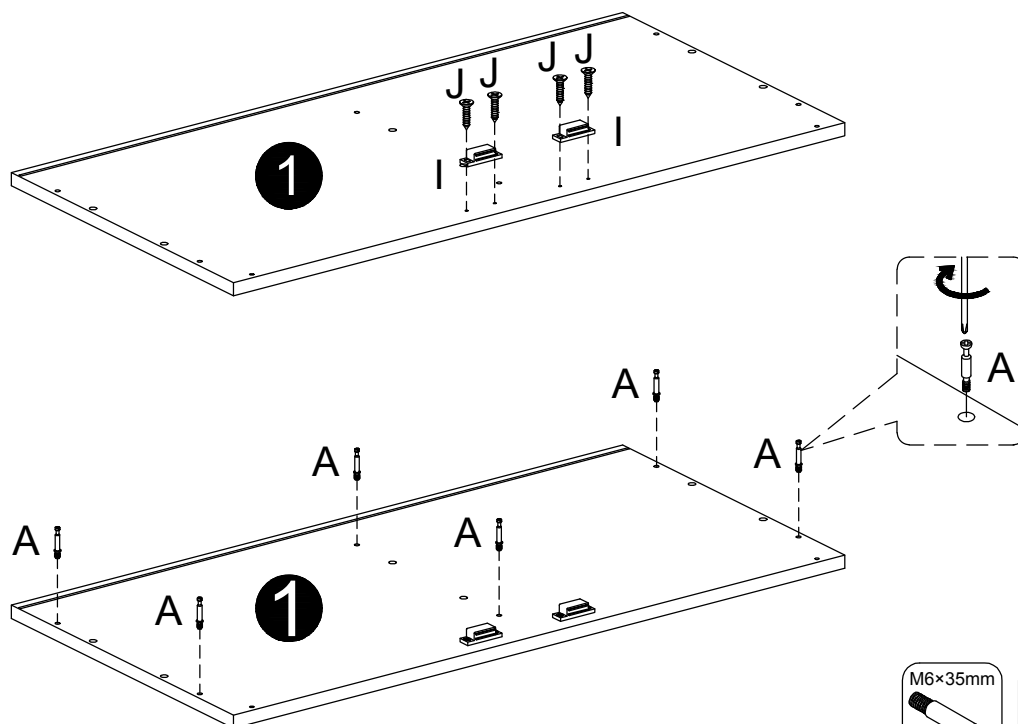
			
1 - 1pc	2 - 1pc	3 - 1pc	4 - 1pc
			
5 - 2pcs	6 - 1pc	7 - 2pcs	8 - 1pc
			
9 - 2pcs	10 - 2pcs	11 - 1pc	12 - 1pc

ASSEMBLY STEPS

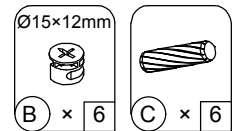
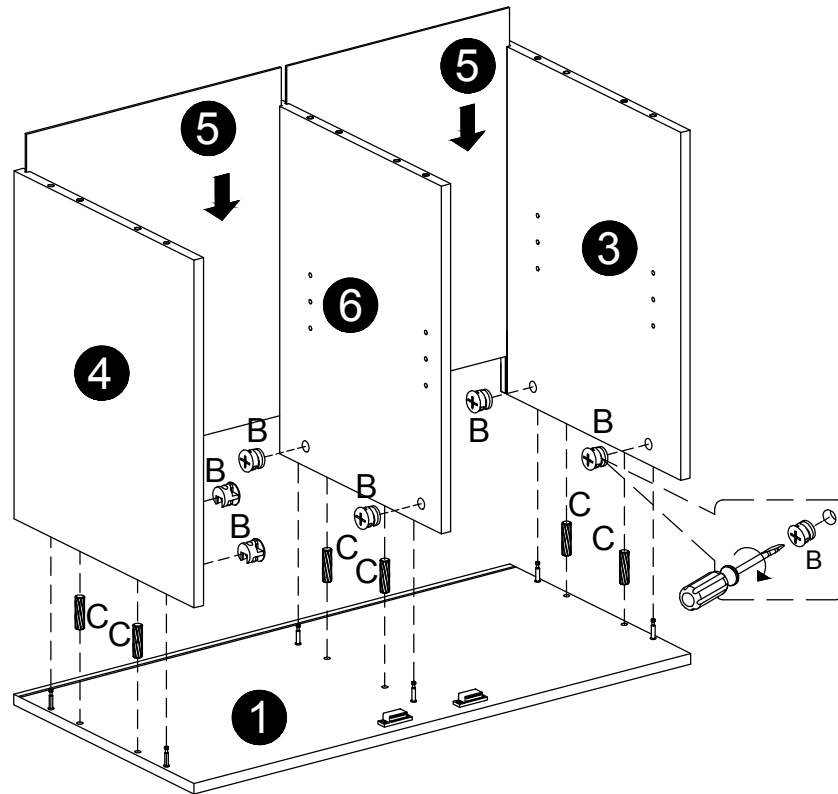
- 1** Insert screws (H) into handles (G) and doors 9, colockwise to tighten, as shown.
Insert bearing (K) into doors 9, as shown.



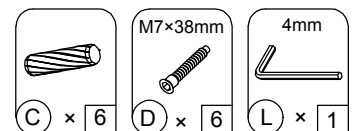
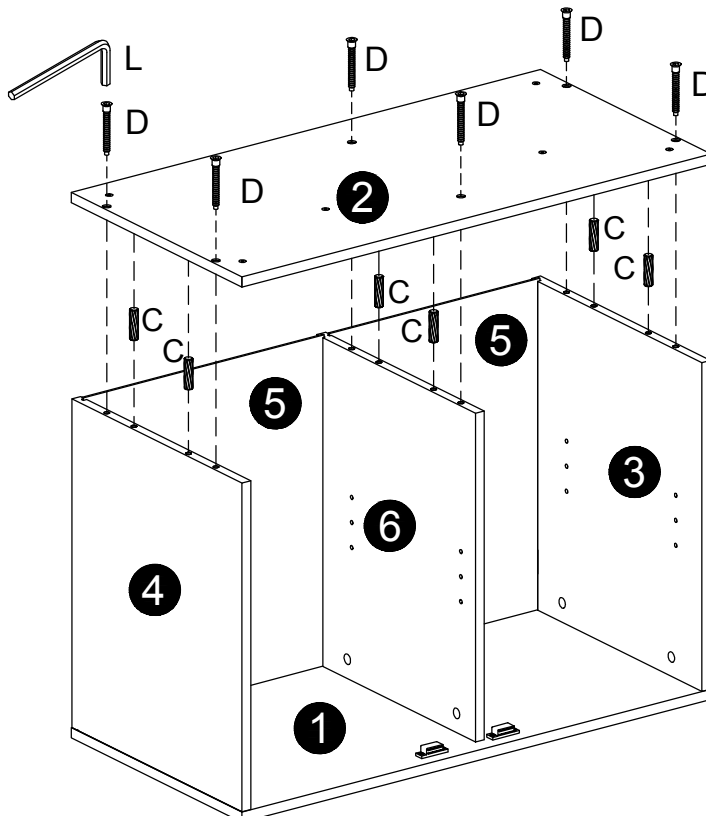
- 2** Fix hardware (I) to part 1 using screws (J).
Insert quickfit screws (A) into part 1, as shown.



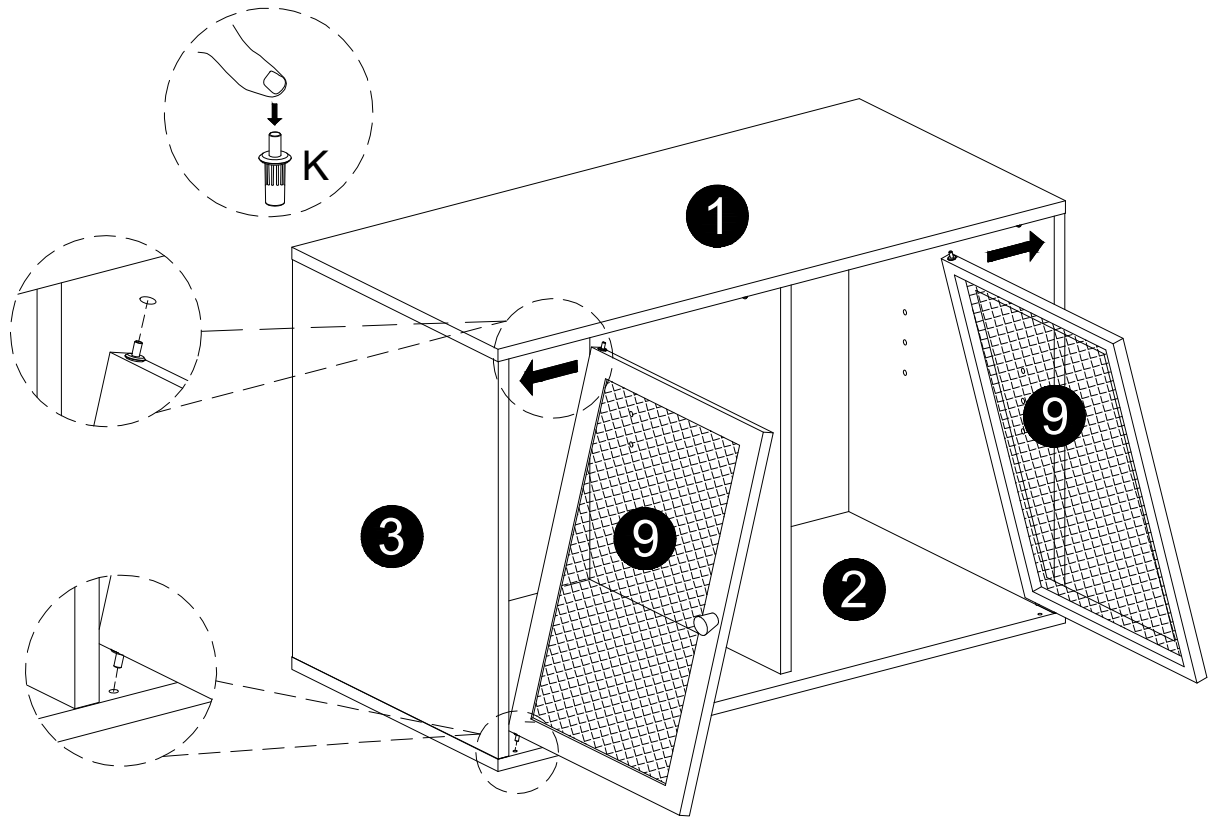
- 3** Insert cam locks (B) and wooden dowels (C) into parts 4, 6 and 3.
 Fit parts 4, 6 and 3 to part 1.
 Turn cam lock clockwise to tighten, as shown.
 Slide parts 5 into grooves between parts 4, 6, 3 and 1, as shown.



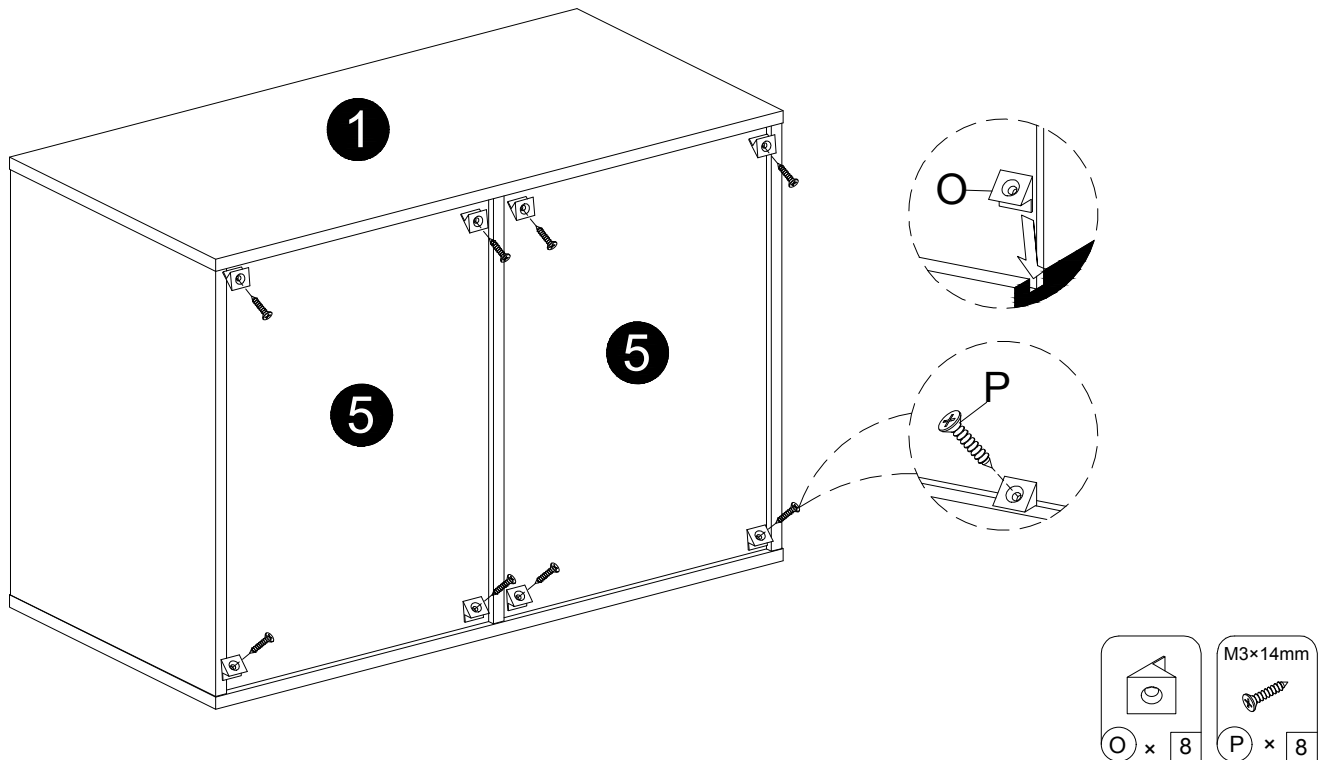
- 4** Insert wooden dowels (C) into parts 4, 6 and 3.
 Attach part 2 to assembled unit using screws (D) and allen key (L), as shown.



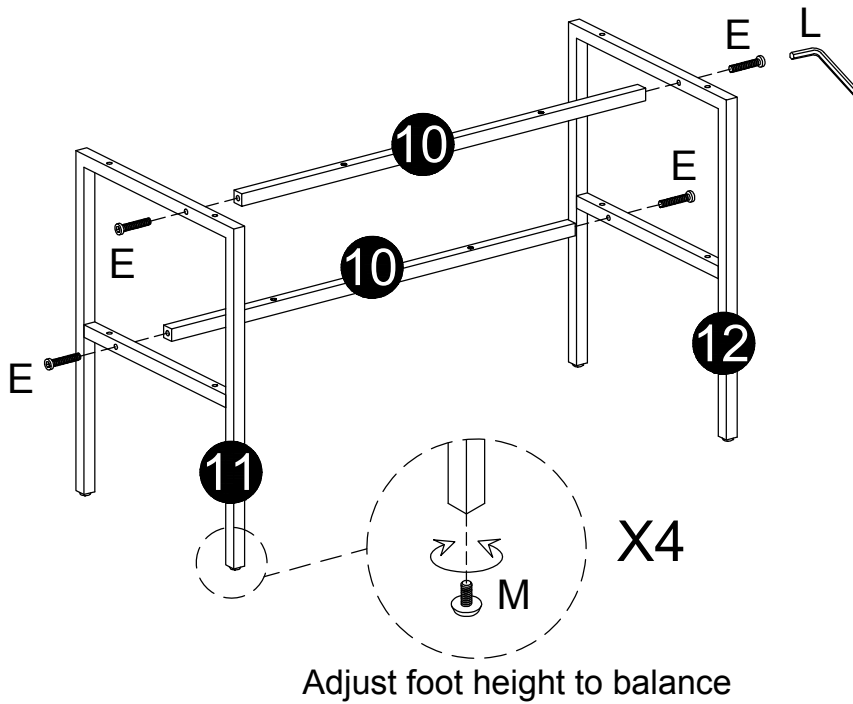
5 Press down bearing (K) and fit doors 9 into assembled unit, as shown.



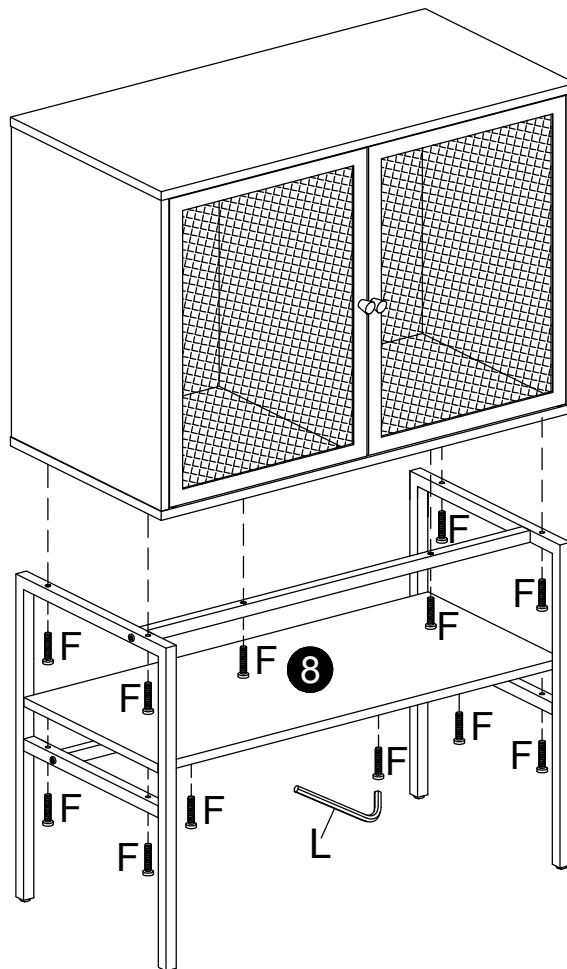
6 Fix corner brackets (O) to parts 5 using screws (P), as shown.



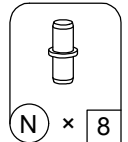
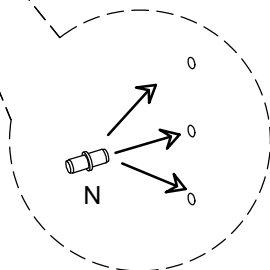
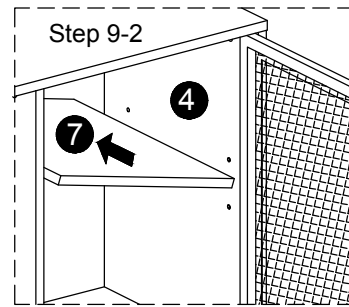
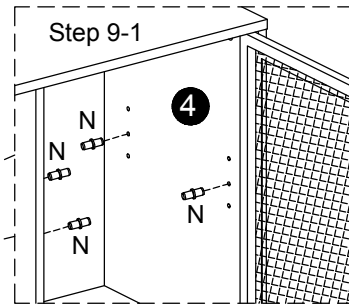
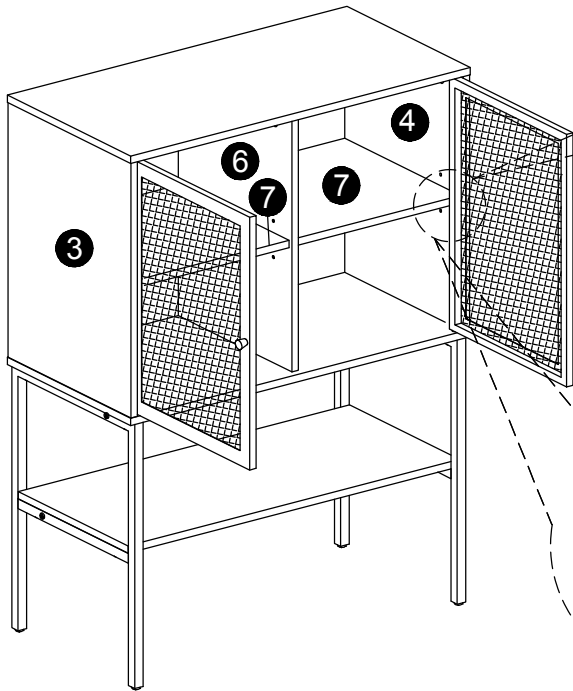
- 7 Fix parts 10 to parts 11 and 12 using screws (E), as shown.
Insert foot nails (M) into legs 11 and 12, as shown.



- 8 Fix assembled unit and part 8 to metal legs using screw (F), as shown.



9 Fit shelf supporters (N) to the inside of parts 3, 4 and 6.
Slide parts 7 on shelf supporters, as shown.



10 For extra stability, it is recommended that you fix your sideboard to the wall using wall strap (T) and hardware (Q, R and S), as shown.
Fix wall strap (T) on to assembled unit using screw (S), as shown.
Screw (R) are fixed through wall strap and into the wall plugs (Q).
Should you choose not to affix the product to the wall, serious injury may be caused if the product tips over.

