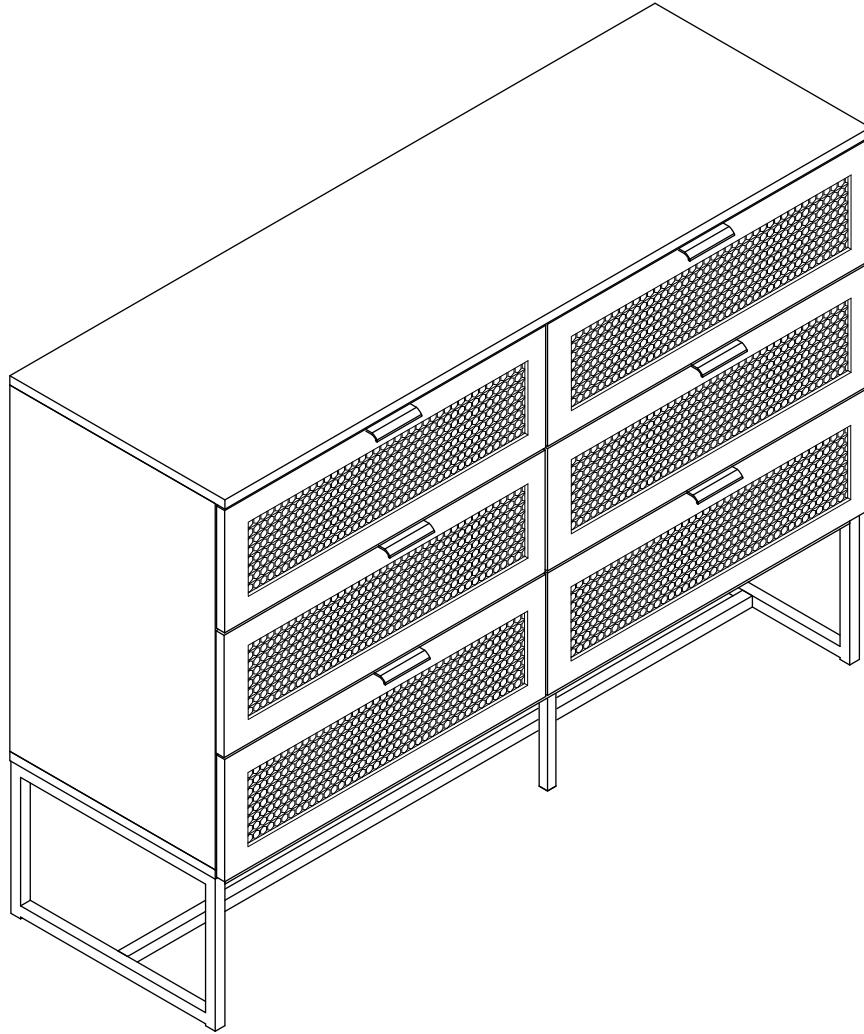
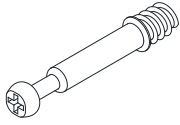
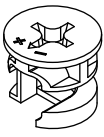
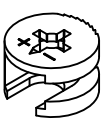
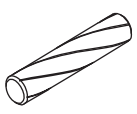
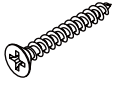
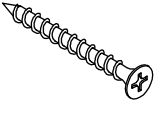

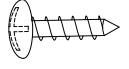
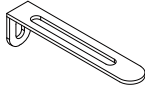
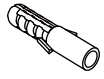
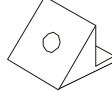
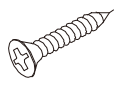
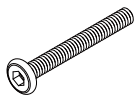

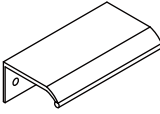
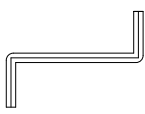

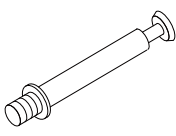
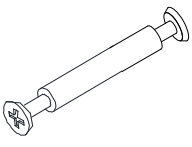

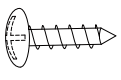
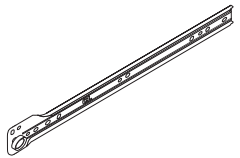
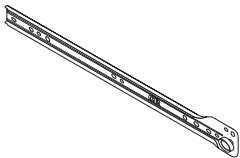
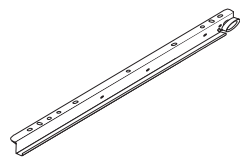
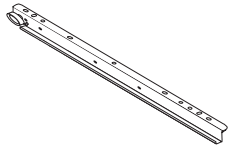


6 Drawer dressers

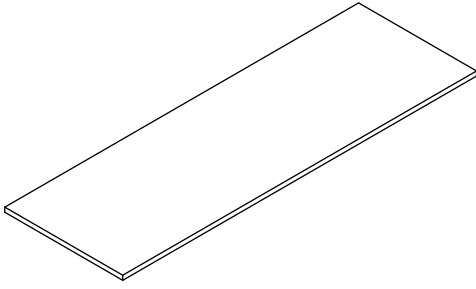


ASSEMBLY INSTRUCTION

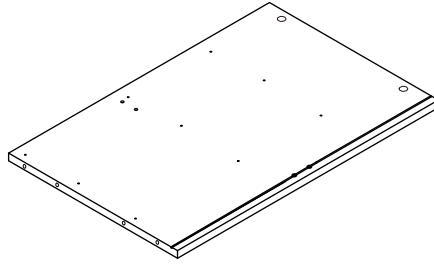
HARDWARE LIST

<p>a</p> <p>44 PCS</p>		<p>b</p> <p>20 PCS</p>		<p>c</p> <p>30 PCS</p>		<p>d</p> <p>24 PCS</p> 
<p>e</p> <p>36 PCS</p>	 <p>M4x35mm</p>	<p>f</p> <p>8 PCS</p>	 <p>M4x40mm</p>	<p>g</p> <p>72 PCS</p>	 <p>M3.5x12mm</p>	<p>h</p> <p>2 PCS</p>  <p>M4x12mm</p>
<p>i</p> <p>2 PCS</p>		<p>j</p> <p>2 PCS</p>		<p>k</p> <p>16 PCS</p>		<p>l</p> <p>16 PCS</p>  <p>M3x14mm</p>
<p>m</p> <p>6 PCS</p>		<p>n</p> <p>10 PCS</p>		<p>o</p> <p>6 PCS</p>		<p>p</p> <p>1 PC</p> 
<p>q</p> <p>12 PCS</p>	 <p>M3x10mm</p>	<p>r</p> <p>2 PCS</p>		<p>s</p> <p>2 PCS</p>		<p>t</p> <p>2 PCS</p> 
<p>w</p> <p>4 PCS</p>	 <p>M4x12mm</p>	<p>cl</p> <p>6 PCS</p>		<p>CR</p> <p>6 PCS</p>		<p>DL</p> <p>6 PCS</p> 
<p>DR</p> <p>6 PCS</p>						

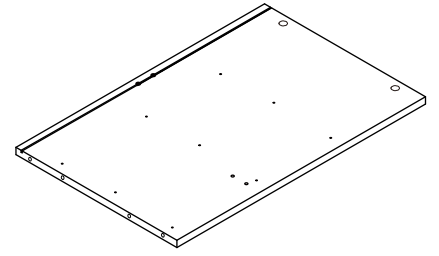
PARTS LIST



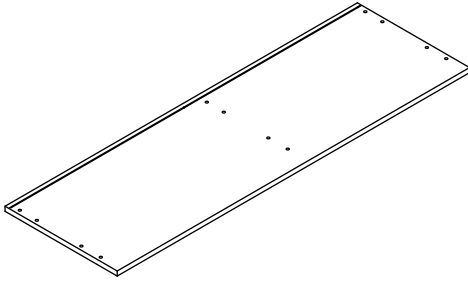
1 - 1 PC



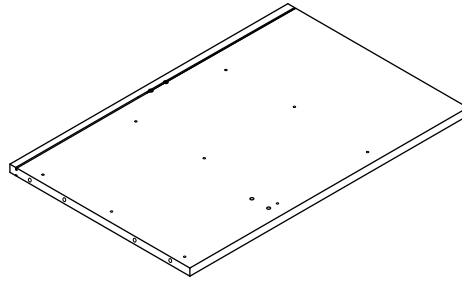
2 - 1 PC



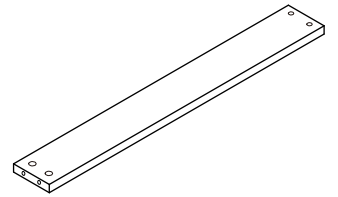
3 - 1 PC



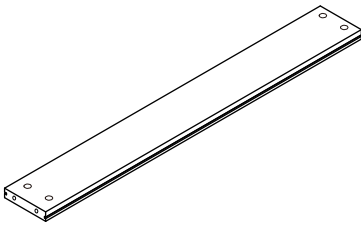
4 - 1 PC



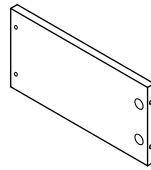
5 - 1 PC



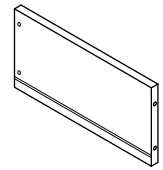
6 - 1 PC



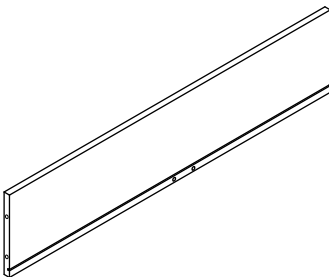
7 - 1 PC



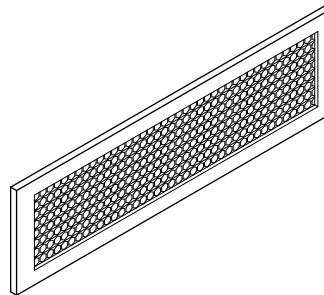
8 - 6 PCS



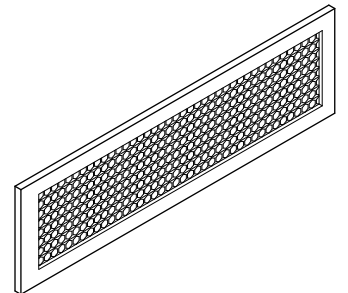
9 - 6 PCS



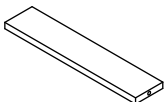
10 - 6 PCS



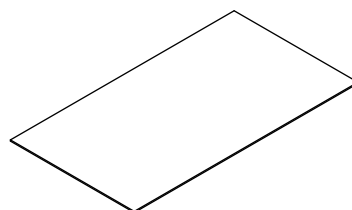
11 - 3 PCS



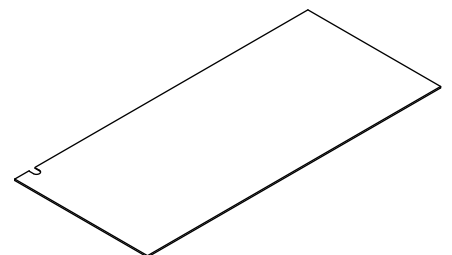
12 - 3 PCS



13 - 6 PCS

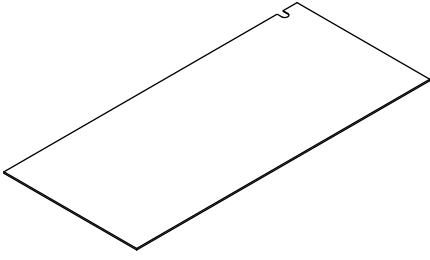


14 - 6 PCS

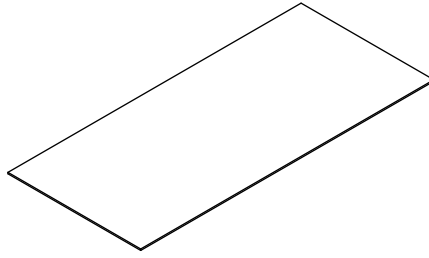


15 - 1 PC

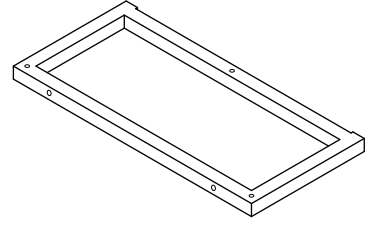
PARTS LIST



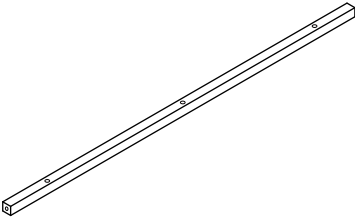
16 - 1 PC



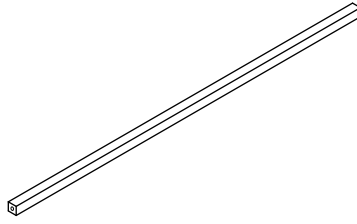
17 - 2 PCS



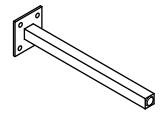
18 - 2 PCS



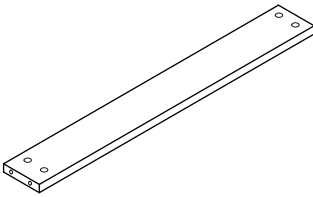
19 - 2 PCS



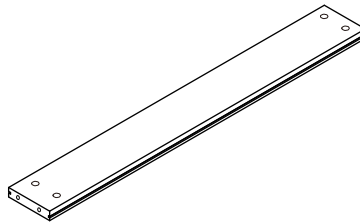
20 - 1 PC



21 - 1 PC



22 - 1 PC

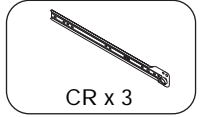
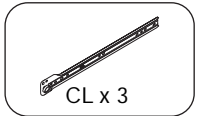
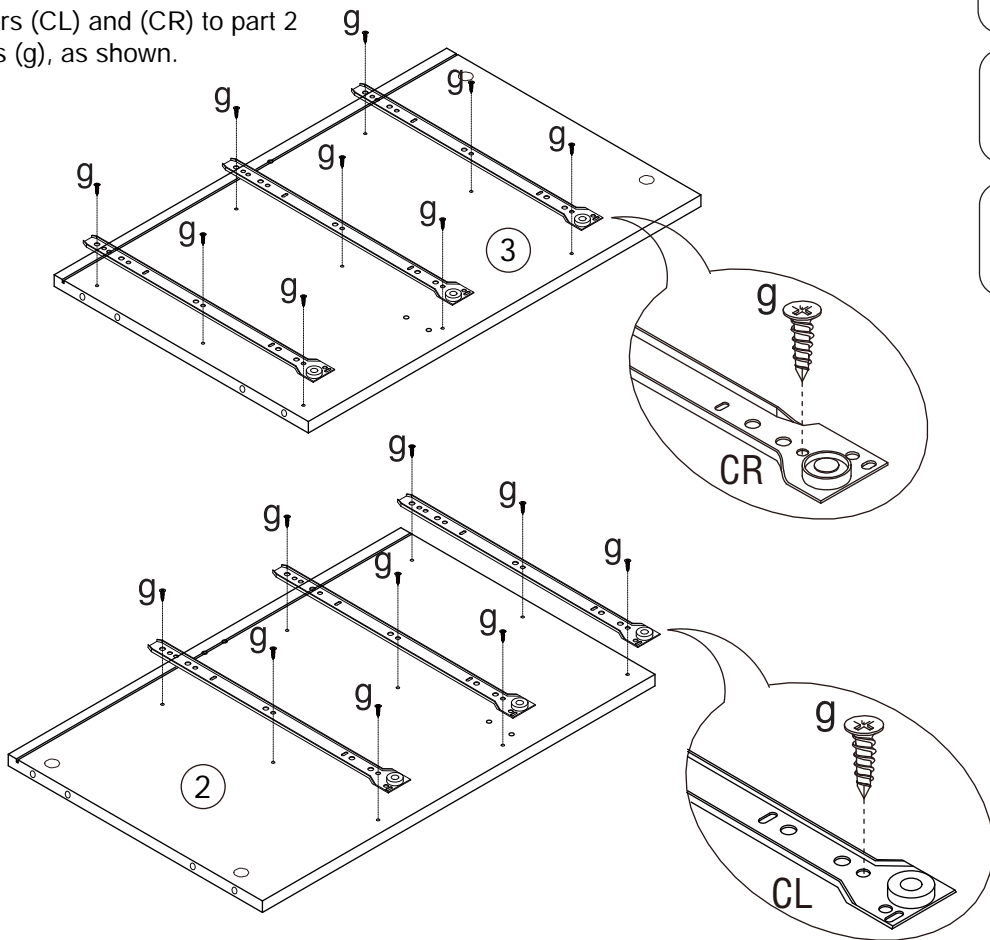


23 - 1 PC

ASSEMBLY STEPS

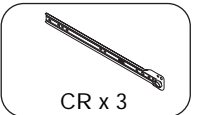
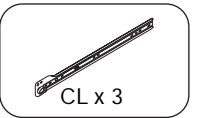
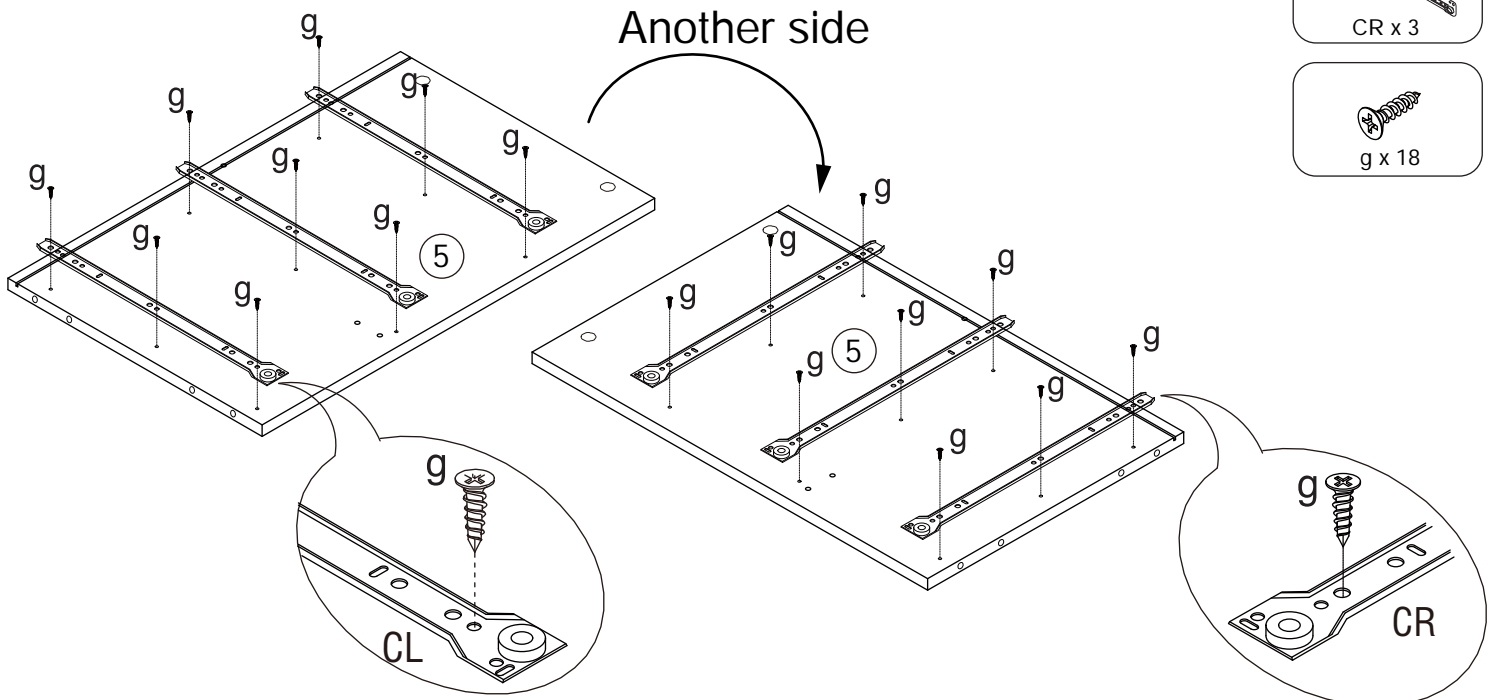
STEP 1.

Fix outer drawer runners (CL) and (CR) to part 2 and part 3 using screws (g), as shown.



STEP 2.

Fix outer drawer runners (CL) and (CR) to the both two sides of part 5 using screws (g), as shown.

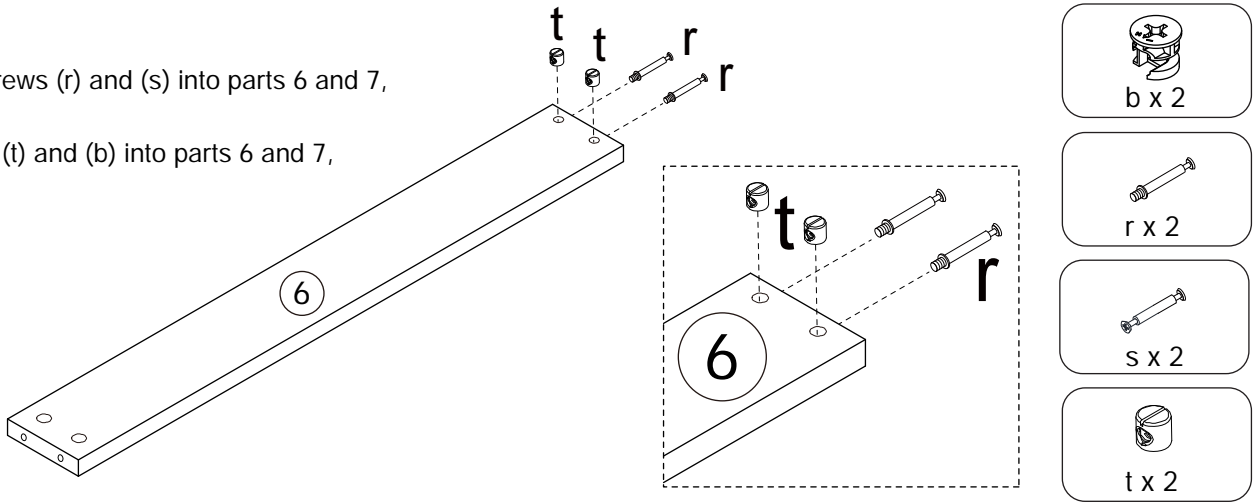


ASSEMBLY STEPS

STEP 3.

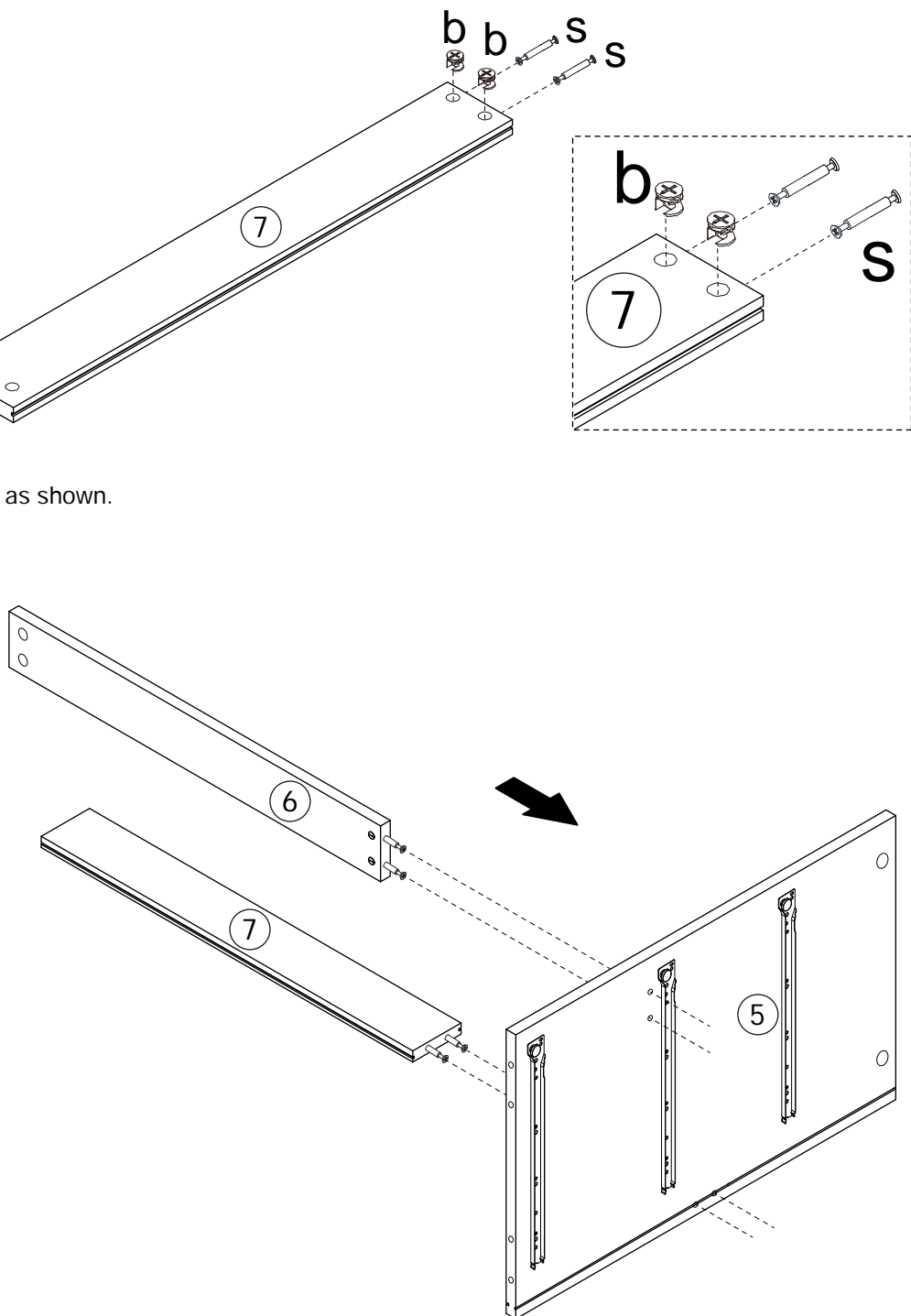
Insert quickfit screws (r) and (s) into parts 6 and 7, as shown.

Insert cam locks (t) and (b) into parts 6 and 7, as shown.



STEP 4.

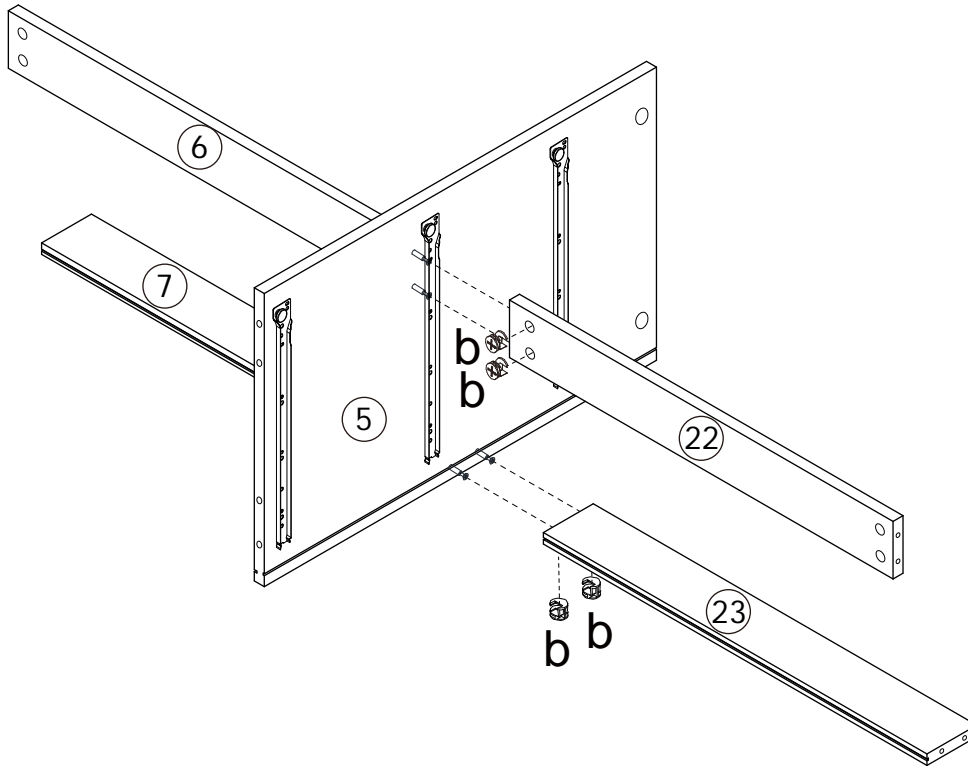
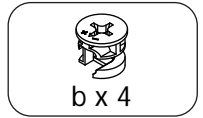
Fit parts 6 and 7 to part 5, as shown.



ASSEMBLY STEPS

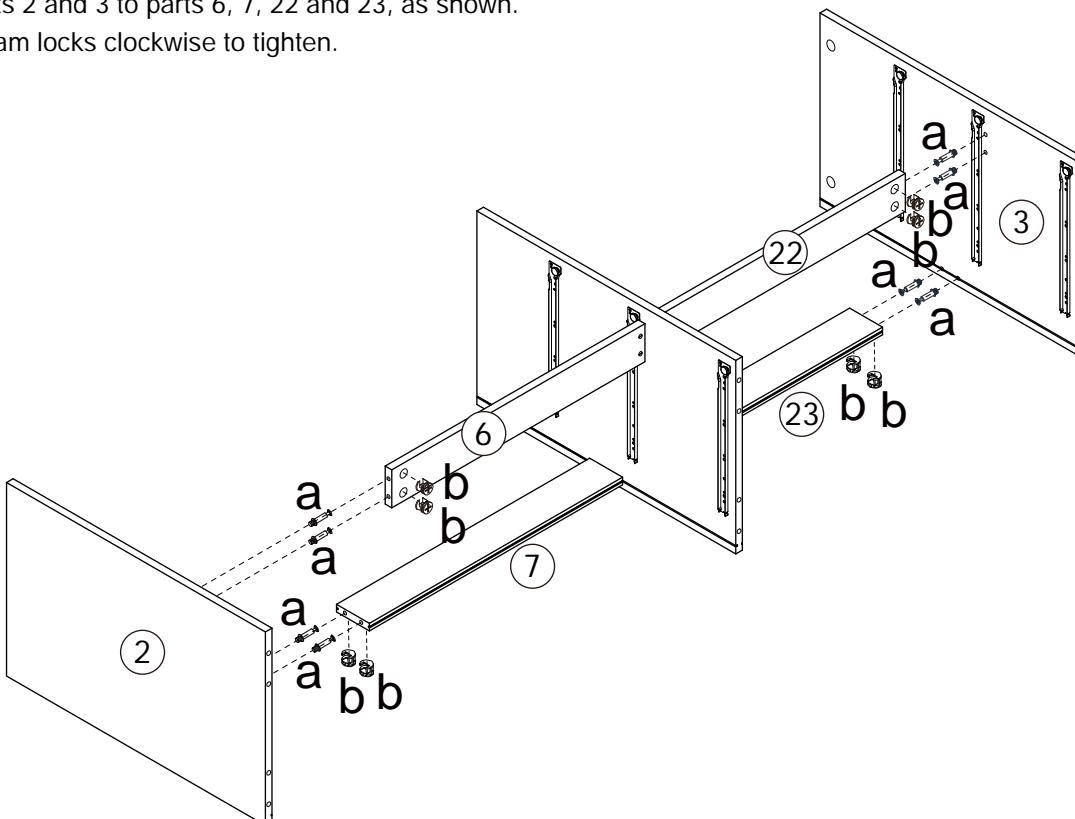
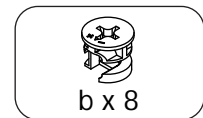
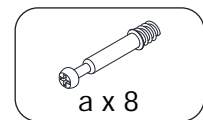
STEP 5.

Insert cam locks (b) into parts 22 and 23, as shown.
Fit parts 22 and 23 to part 5, as shown.
Turn cam locks clockwise to tighten.



STEP 6.

Insert quickfit screws (a) into parts 2 and 3, as shown.
Insert cam locks (b) into parts 6, 7, 22 and 23, as shown.
Fit parts 2 and 3 to parts 6, 7, 22 and 23, as shown.
Turn cam locks clockwise to tighten.

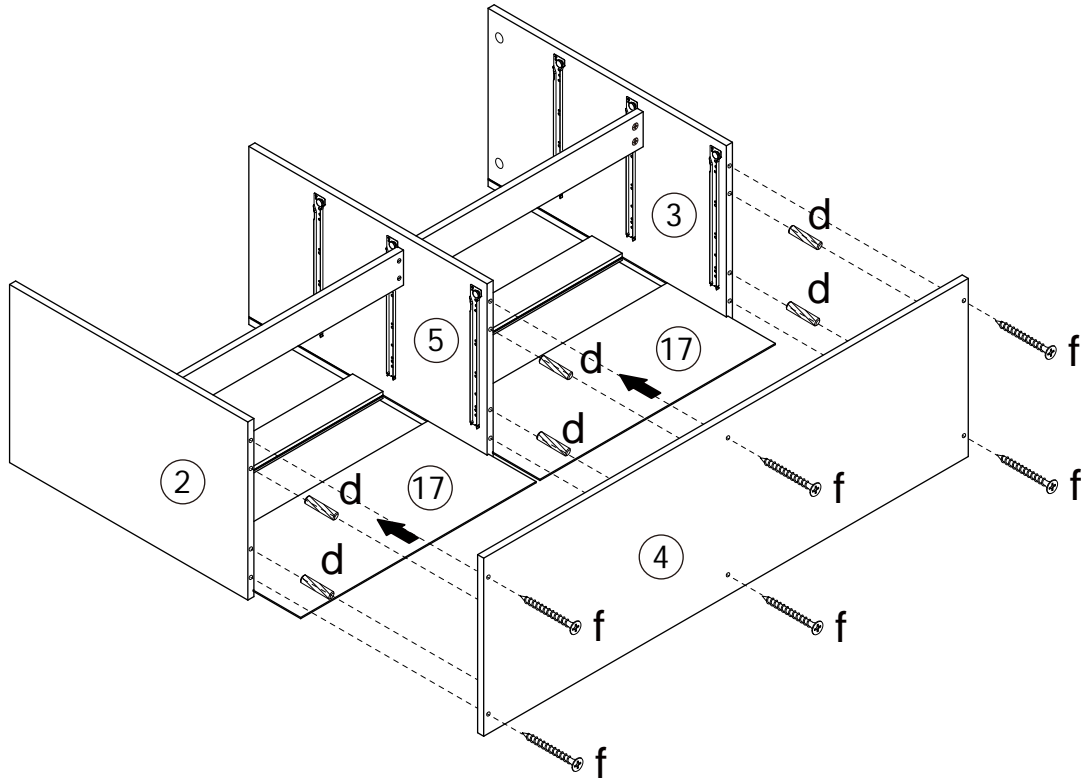
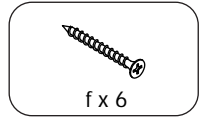
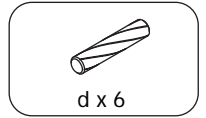


ASSEMBLY STEPS

STEP 7.

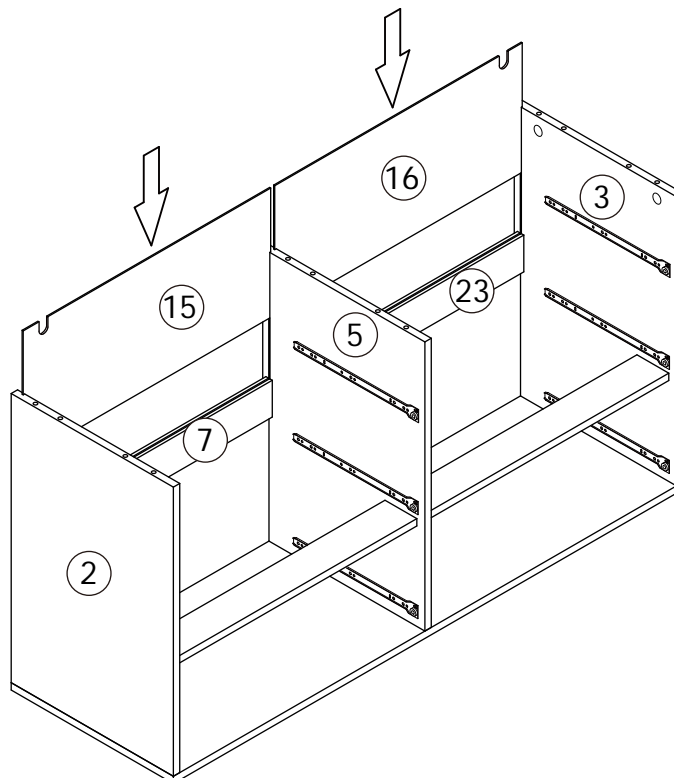
Slide parts 17 into grooves between parts 2,3 and 5, as shown.

Fix part 4 to assembled unit with wooden dowels (d) and screws (f), as shown.



STEP 8.

Slide parts 15 and 16 into grooves between parts 2,3 and 5, as shown.

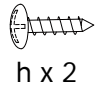
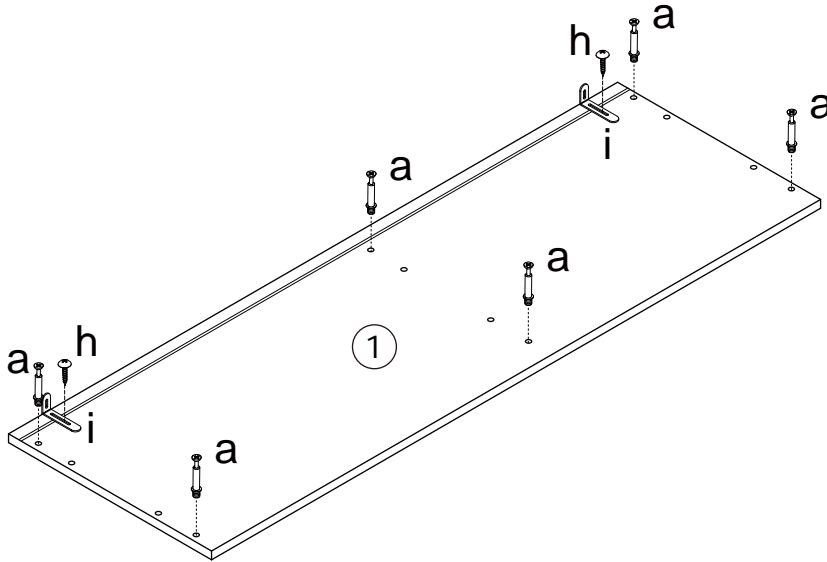


ASSEMBLY STEPS

STEP 9.

Fix wall brackets (i) to part 1 using screws (h), as shown.

Insert quickfit screws (a) into part 1.

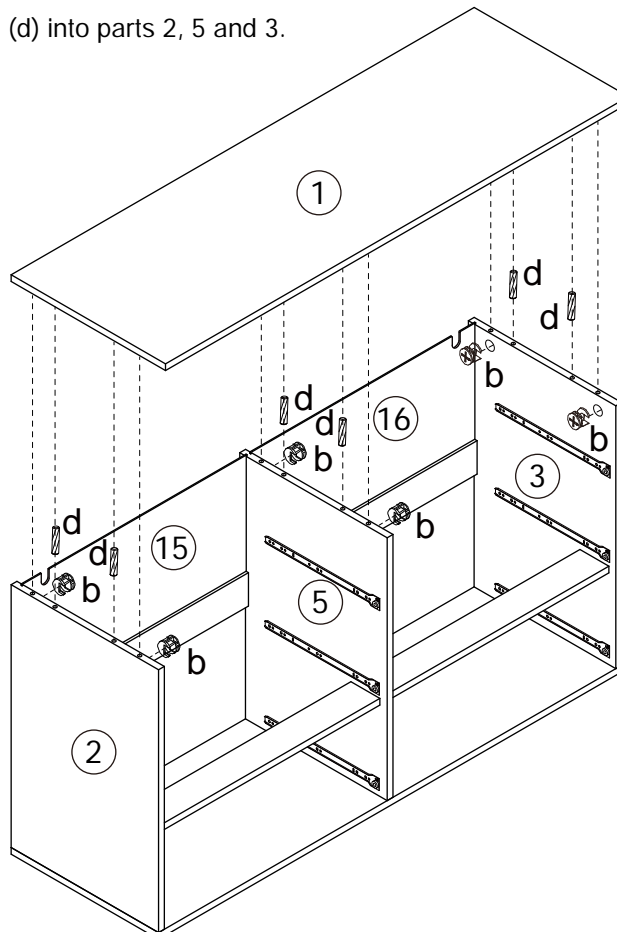


STEP 10.

Insert cam locks (b) and wooden dowels (d) into parts 2, 5 and 3.

Fit part 1 to parts 2, 5 and 3, as shown.

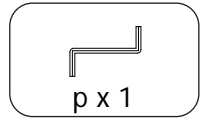
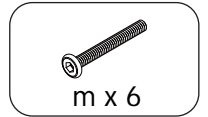
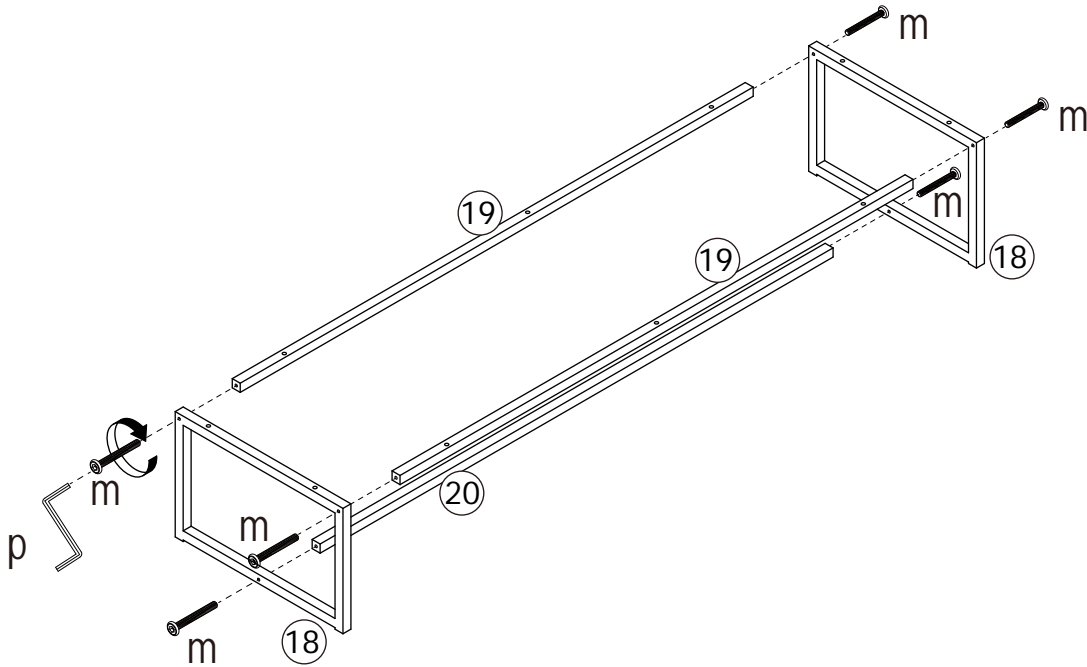
Turn cam locks clockwise to tighten.



ASSEMBLY STEPS

STEP 11.

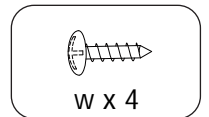
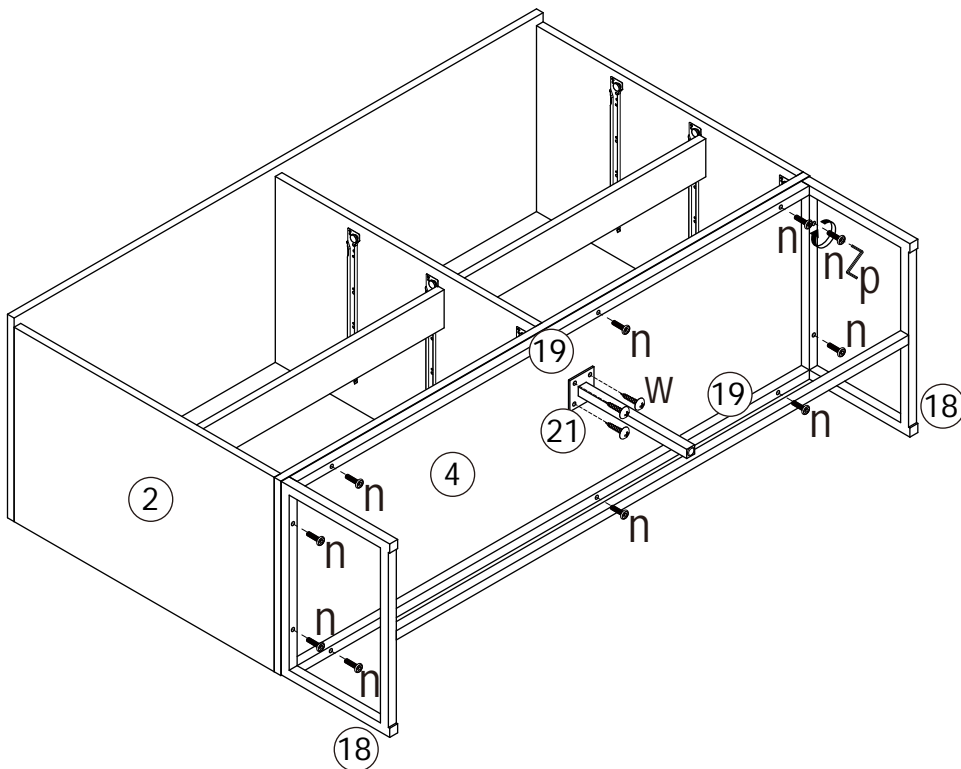
Fix parts 19 and 20 to parts 18 using screws (m) and allen key (p), as shown.



STEP 12.

Fix metal legs to assembled unit using screws (n) and allen key, as shown.

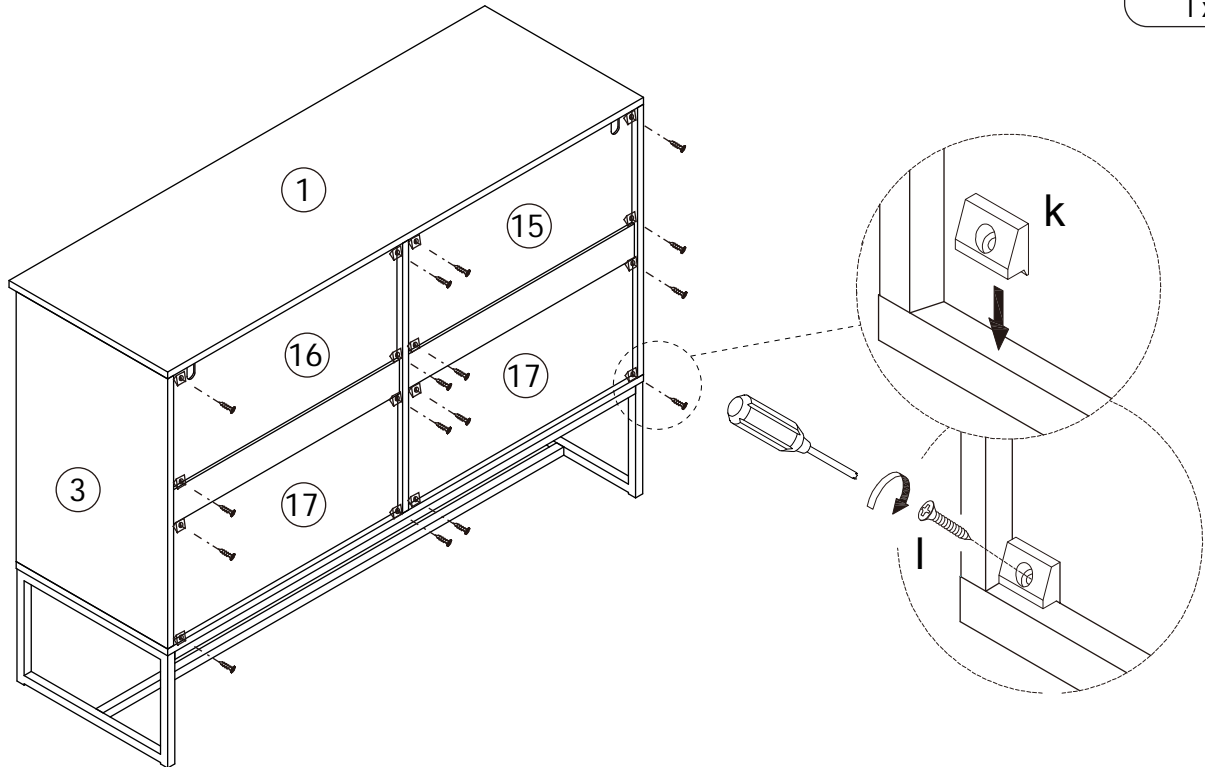
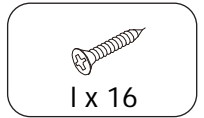
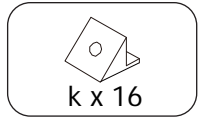
Fix leg 21 to part 4 using screws (w), as shown.



ASSEMBLY STEPS

STEP 13.

Fix corner brackets (k) to parts 15, 16 and 17 using screws (l), as shown.

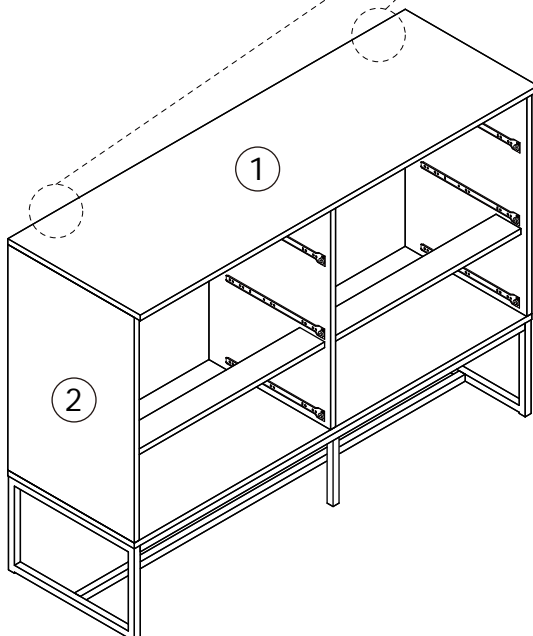
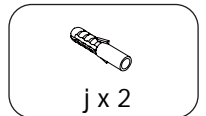
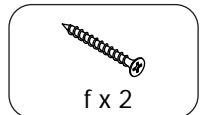
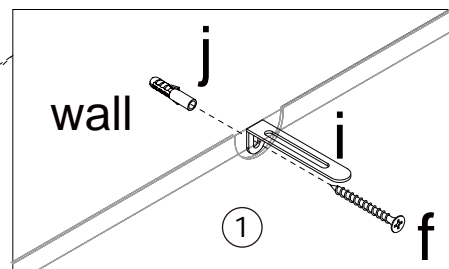


STEP 14.

For extra stability, you must fix your dressers to the wall using hardware (f and j), as shown.

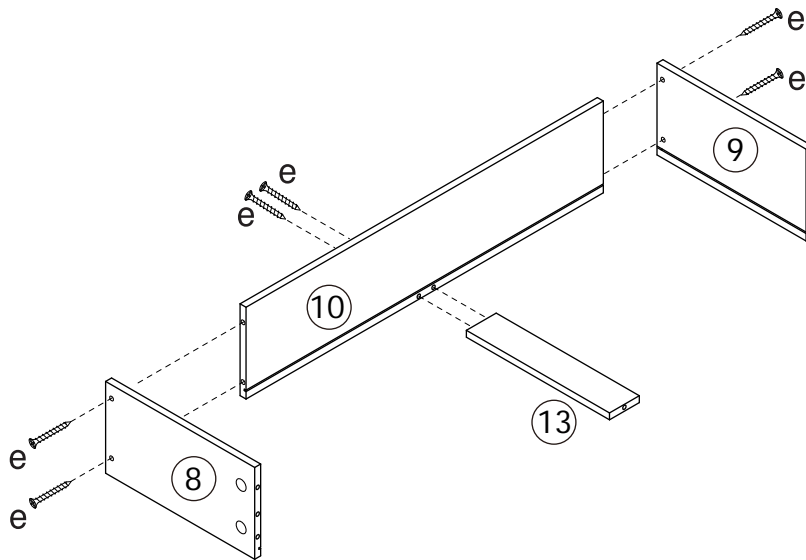
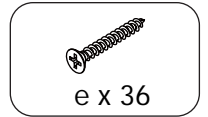
Screws (f) are fixed through wall brackets (i) and into the wall plugs (j).

Should you choose not to affix the product to the wall, serious injury may be caused if the product tips over.



STEP 15.

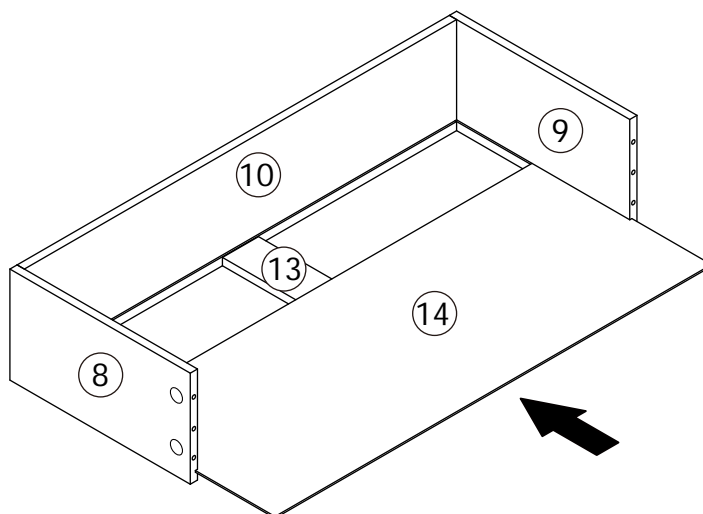
Fix parts 8, 9 and 13 to parts 10 using screws (e), as shown.



x6

STEP 16.

Slide parts 14 into grooves between parts 8, 9 and 10, as shown.



x6

STEP 17.

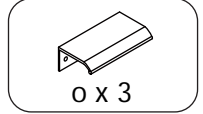
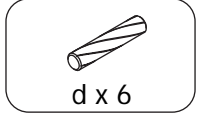
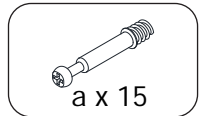
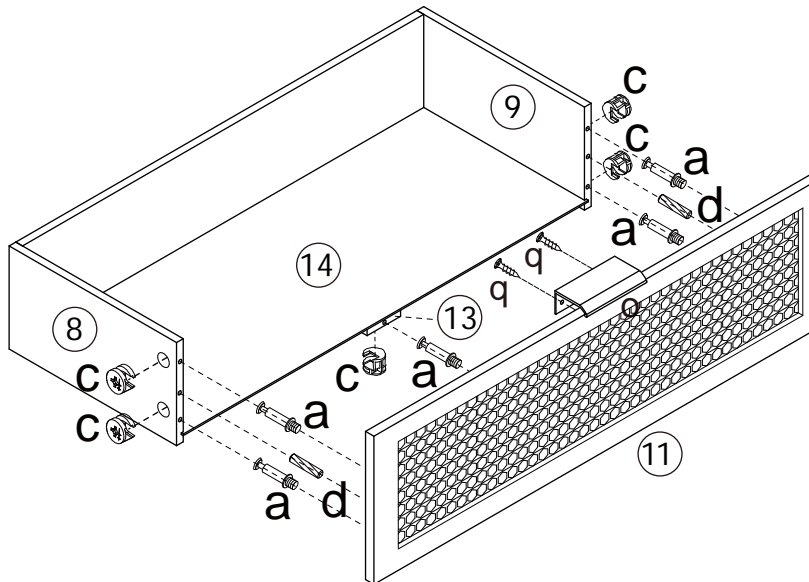
Fix handle (o) to parts 11 using screws (q), as shown.

Insert quickfit screws (a) into parts 11.

Insert cam locks (c) and wooden dowels (d) into parts 8, 9 and 13.

Fit parts 11 to parts 8, 9 and 13, as shown.

Turn cam locks clockwise to tighten.



x3

STEP 18.

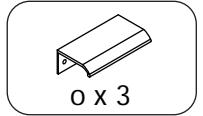
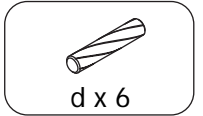
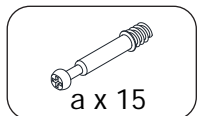
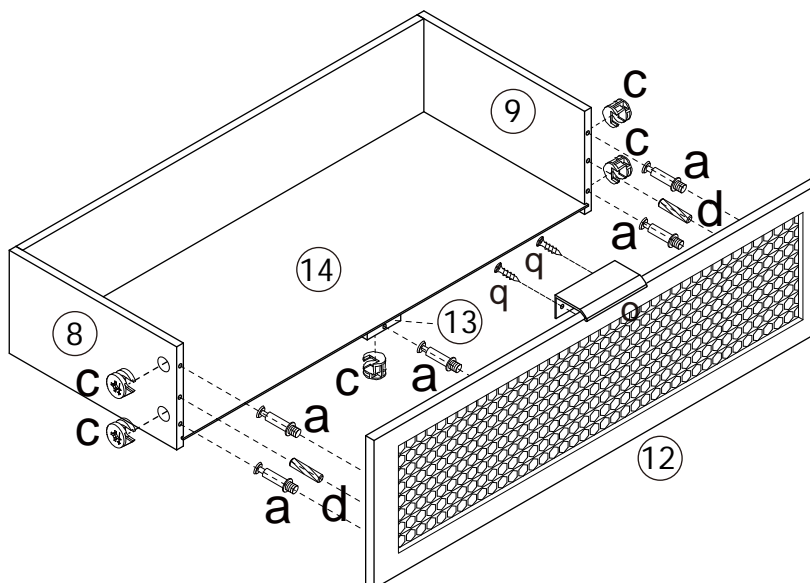
Fix handle (o) to parts 12 using screws (q), as shown.

Insert quickfit screws (a) into parts 12.

Insert cam locks (c) and wooden dowels (d) into parts 8, 9 and 13.

Fit parts 12 to parts 8, 9 and 13, as shown.

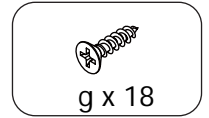
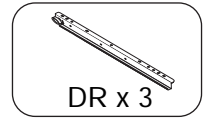
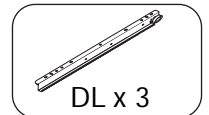
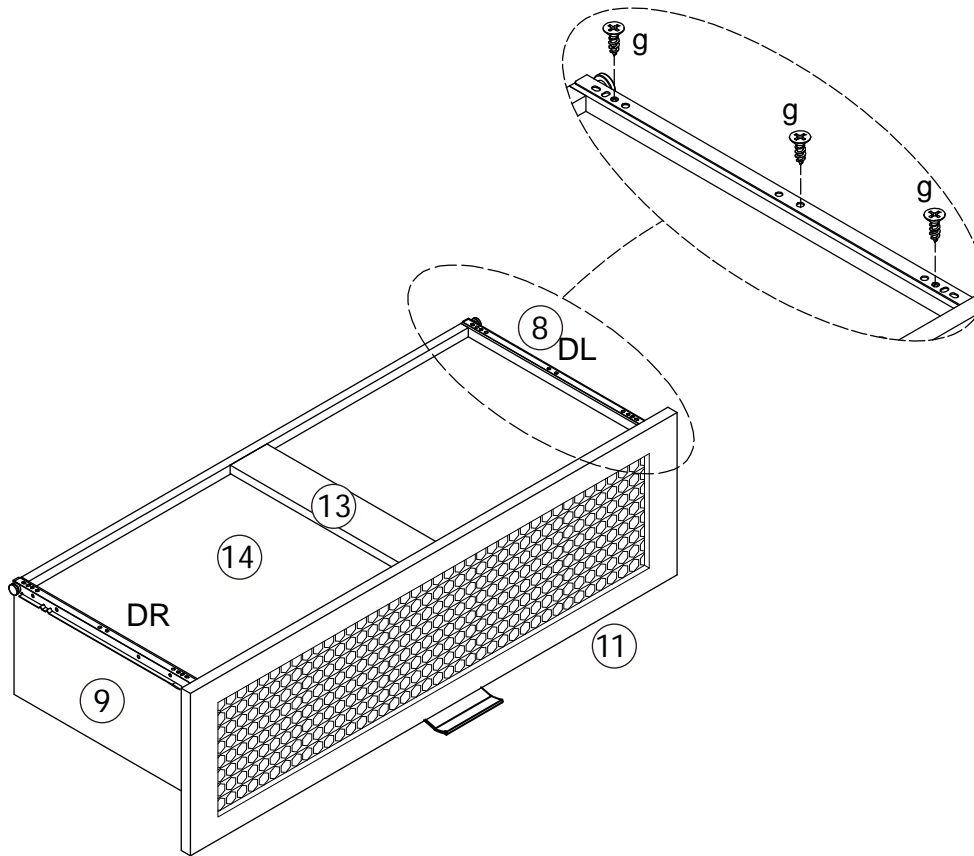
Turn cam locks clockwise to tighten.



x3

STEP 19.

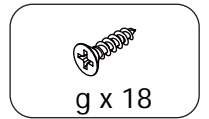
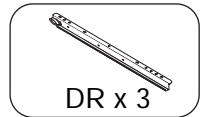
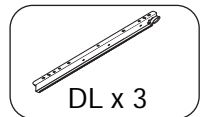
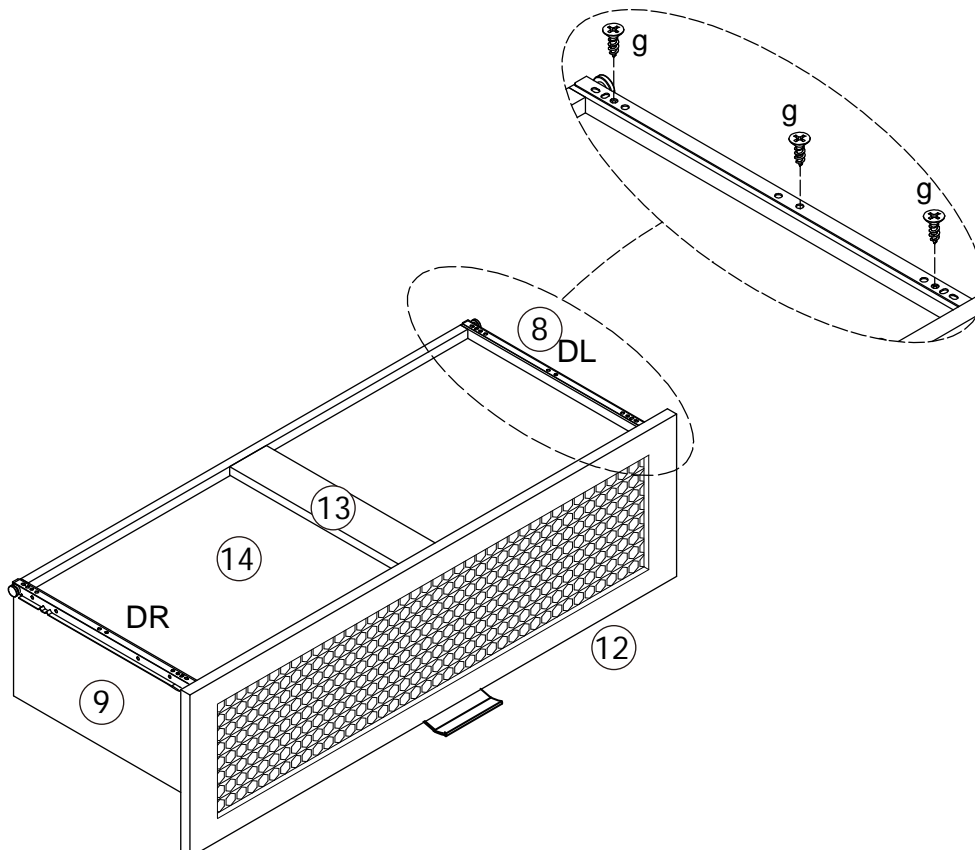
Fix inner drawer runners (DR) and (DL) to assembled drawers using screws (g), as shown.



x3

STEP 20.

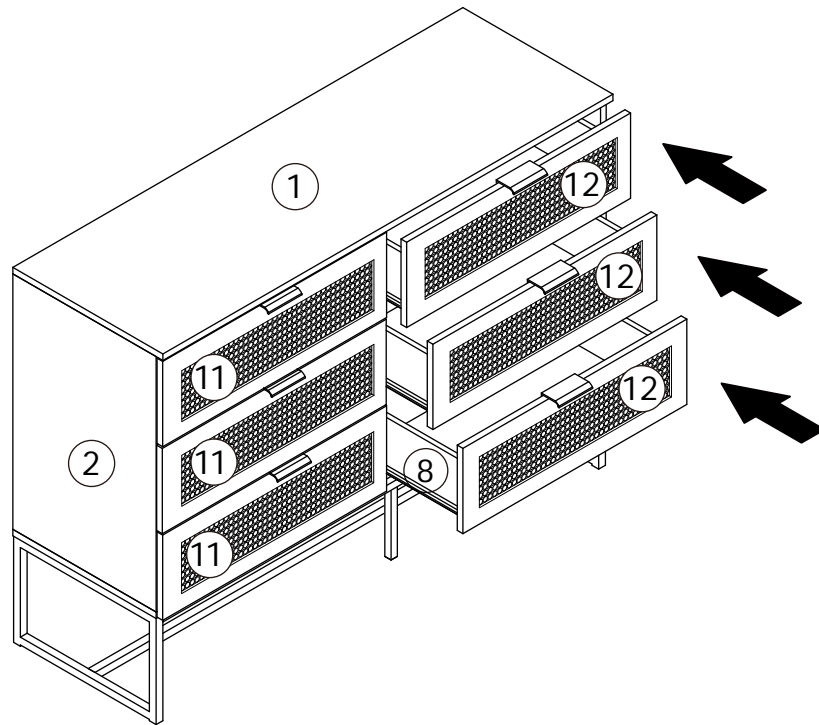
Fix inner drawer runners (DR) and (DL) to assembled drawers using screws (g), as shown.



x3

STEP 21.

Fit drawers into assembled unit, as shown.



STEP 22.

Your dressers is ready for use.

