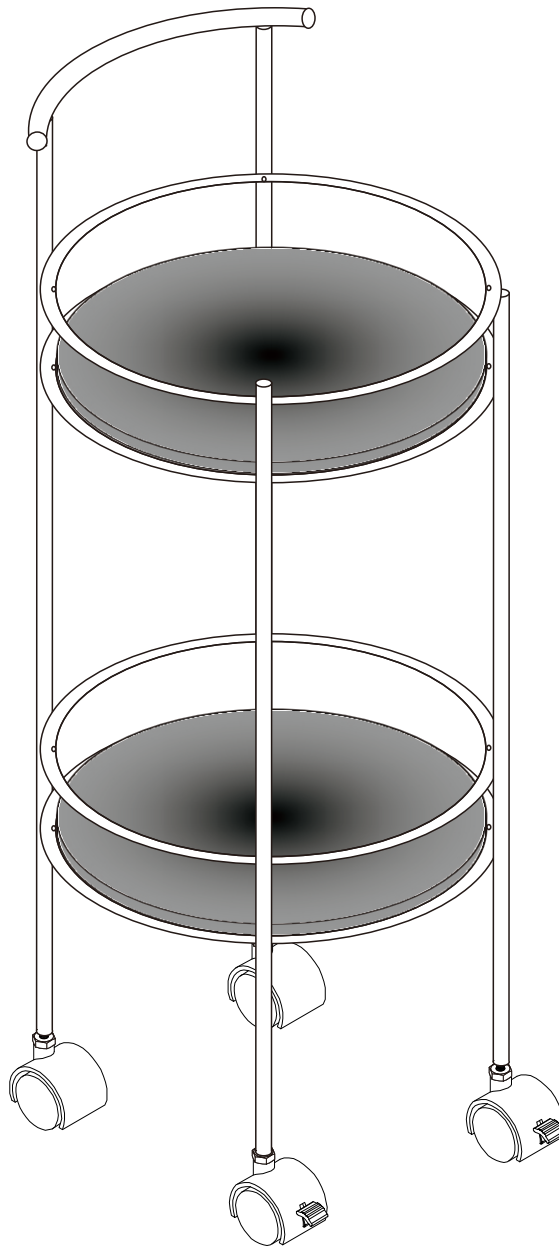
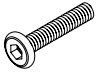

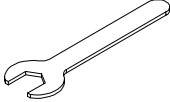
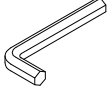
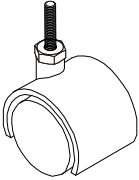
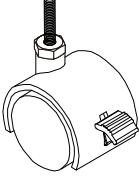



Dining Cart

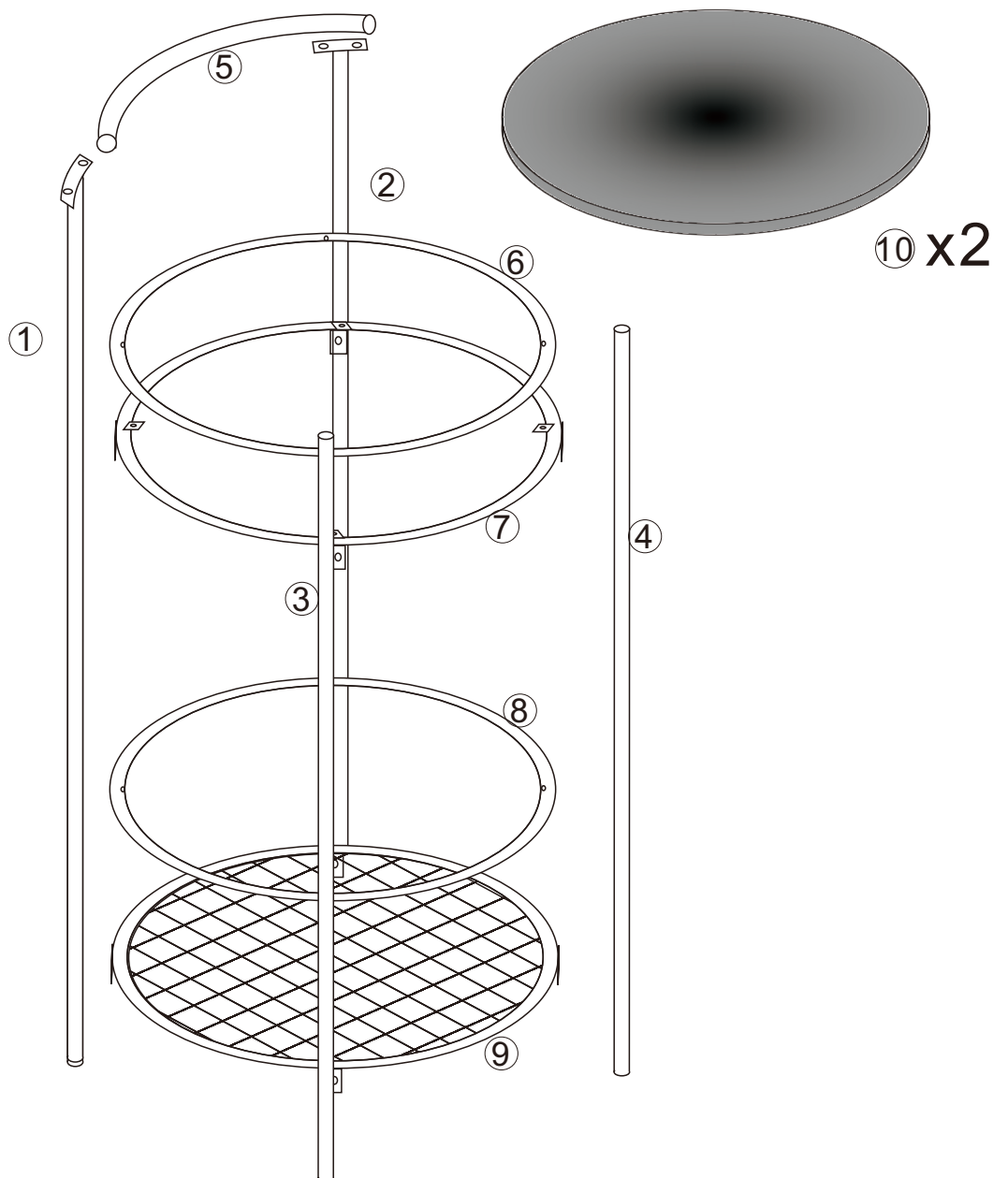


ASSEMBLY INSTRUCTION

HARDWARE LIST

<p>a 8 PCS</p>		<p>b 12PCS</p>		<p>c 1 PCS</p>		<p>d 1 PCS</p>	
<p>e 2 PCS</p>		<p>f 2 PCS</p>		<p>g 4 PCS</p>			

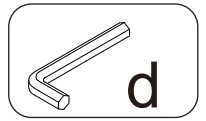
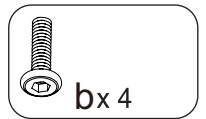
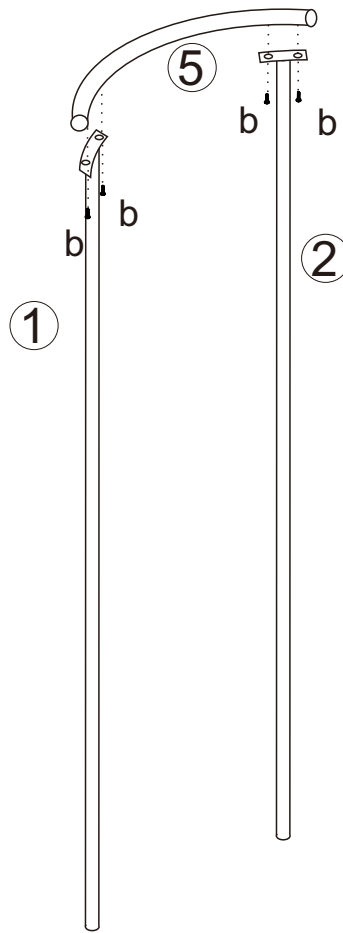
PARTS LIST



ASSEMBLY STEPS

STEP 1

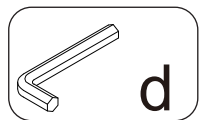
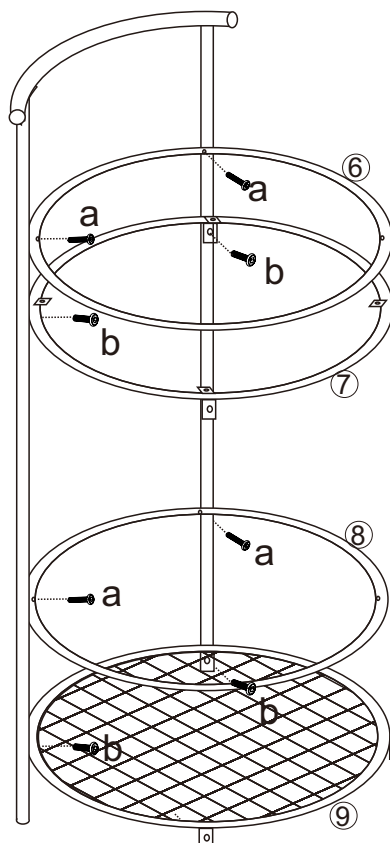
Fix part 1 and 2 to part 5 using screws(b).



STEP 2

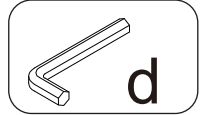
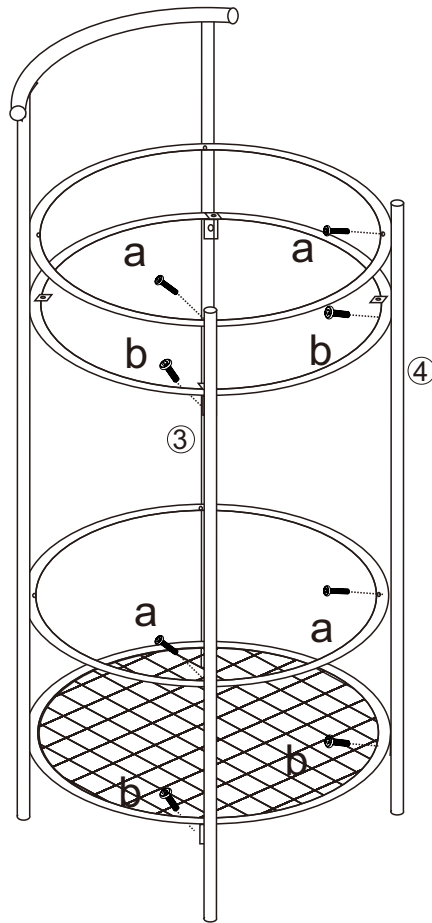
Fix part 6 and 8 to assembled parts using screw (a), as shown.

Fix part 7 and 9 to assembled parts using screw (b), as shown.



STEP 3

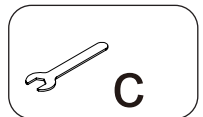
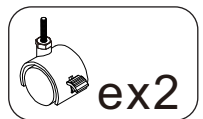
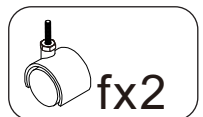
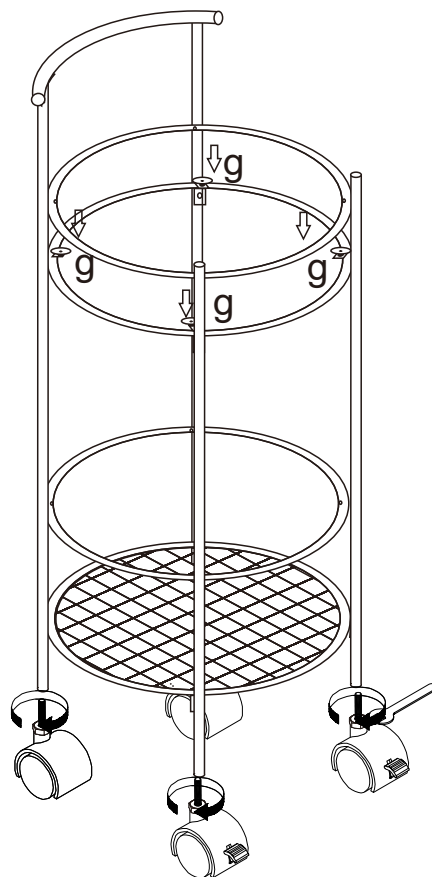
Fix part 3 and 4 to assembled parts using screw (a) and (b), as shown.



STEP 4

Insert part g to the assembled parts, as shown.

Insert part f and e to the assembled parts, as shown.



STEP 5

Fit part 10 to the assembled unit, as shown.

