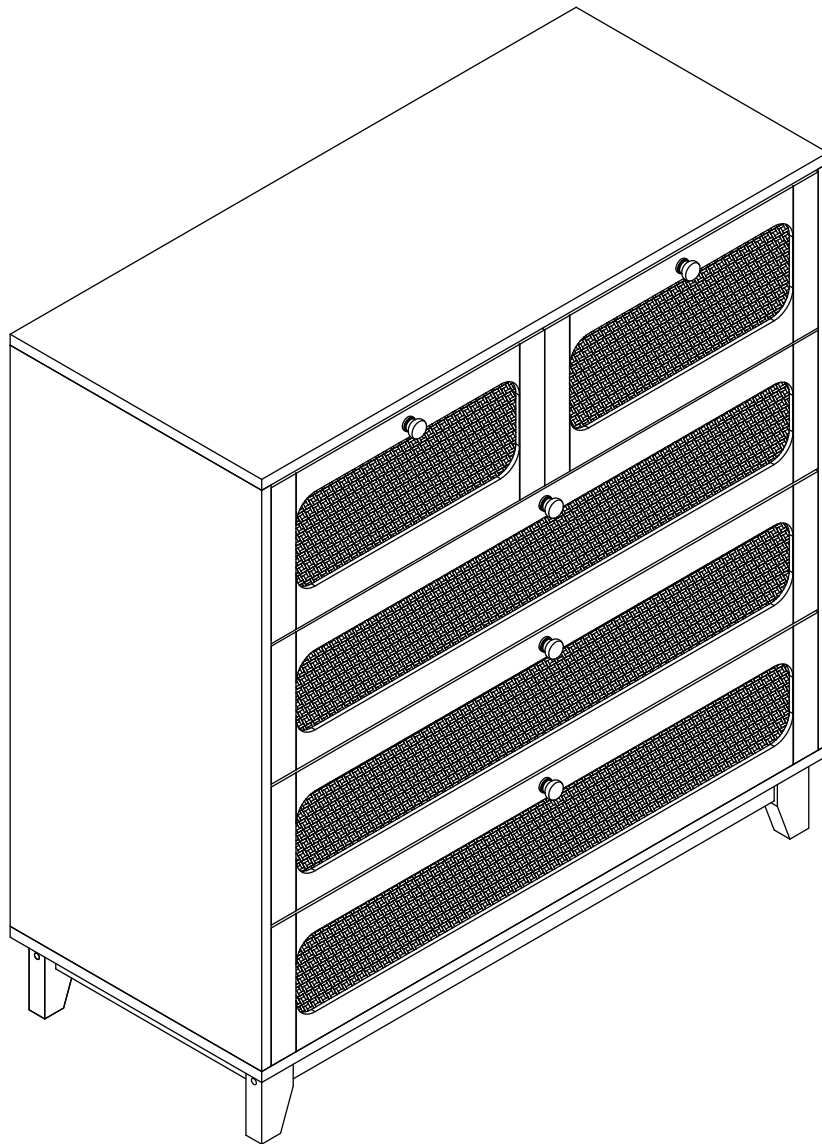
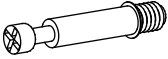

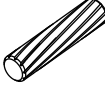
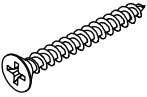

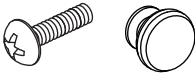


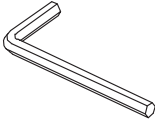











Chest of drawers

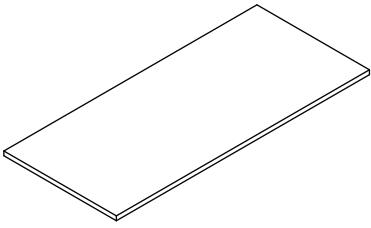


ASSEMBLY INSTRUCTION

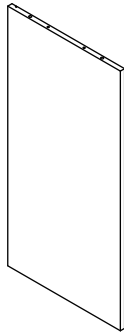
HARDWARE LIST

<p>A 47 PCS</p>		<p>B 47 PCS</p>		<p>C 31 PCS</p>		<p>D 36 PCS</p>	
<p>E 70 PCS</p>	 <p>Ø3.5x12mm</p>	<p>F 5 PCS</p>	<p>F-1 F-2</p> 	<p>G 4 PCS</p>	<p>G-1 G-2</p> 	<p>H 10 PCS</p>	
<p>I 1 PCS</p>		<p>J 4 PCS</p>		<p>K 2 PCS</p>	<p>K-1 K-2</p> 	<p>L 2 PCS</p>	<p>L-1 L-2</p> 
<p>M 27 PCS</p>		<p>N 8 PCS</p>	<p>N-1 N-2</p> 	<p>CL 5 PCS</p>		<p>CR 5 PCS</p>	
<p>DL 5 PCS</p>		<p>DR 5 PCS</p>					

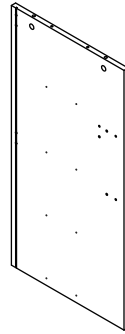
PARTS LIST



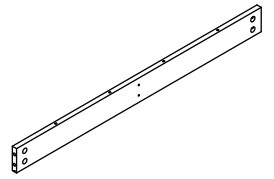
1- 1PCS



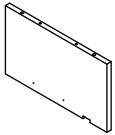
2- 1PCS



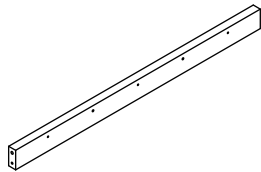
3- 1PCS



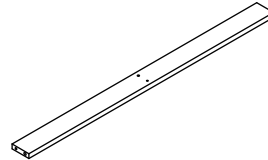
4- 1PCS



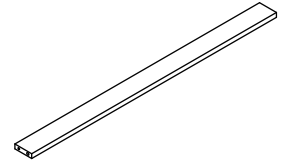
5- 1PCS



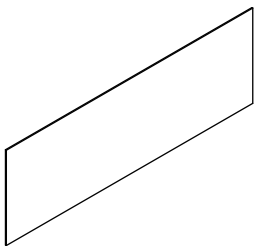
6- 1PCS



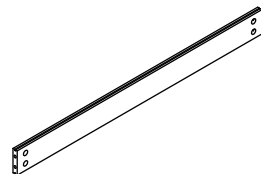
7- 1PCS



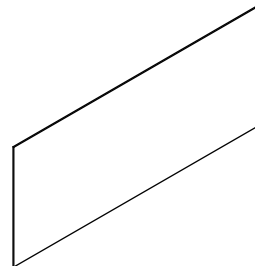
8- 1PCS



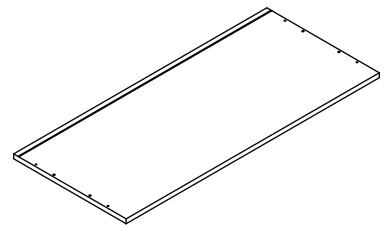
9- 1PCS



10- 1PCS



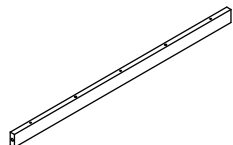
11- 1PCS



12- 1PCS



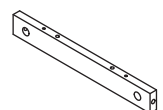
13- 2PCS



14- 2PCS

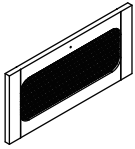


15- 2PCS

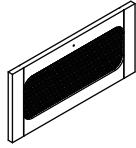


16- 2PCS

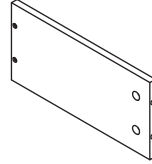
PARTS LIST



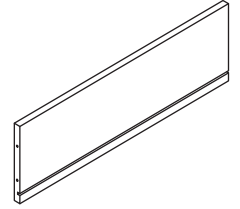
17- 1PCS



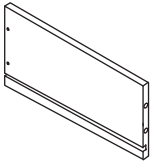
18- 1PCS



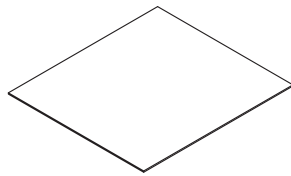
19- 2PCS



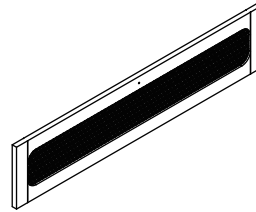
20- 2PCS



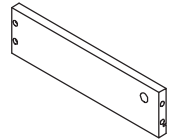
21- 2PCS



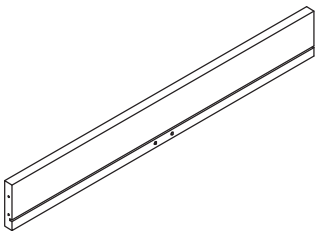
22- 2PCS



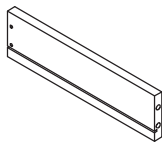
23- 3PCS



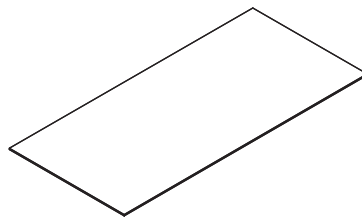
24- 3PCS



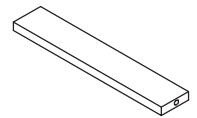
25- 3PCS



26- 3PCS



27- 3PCS

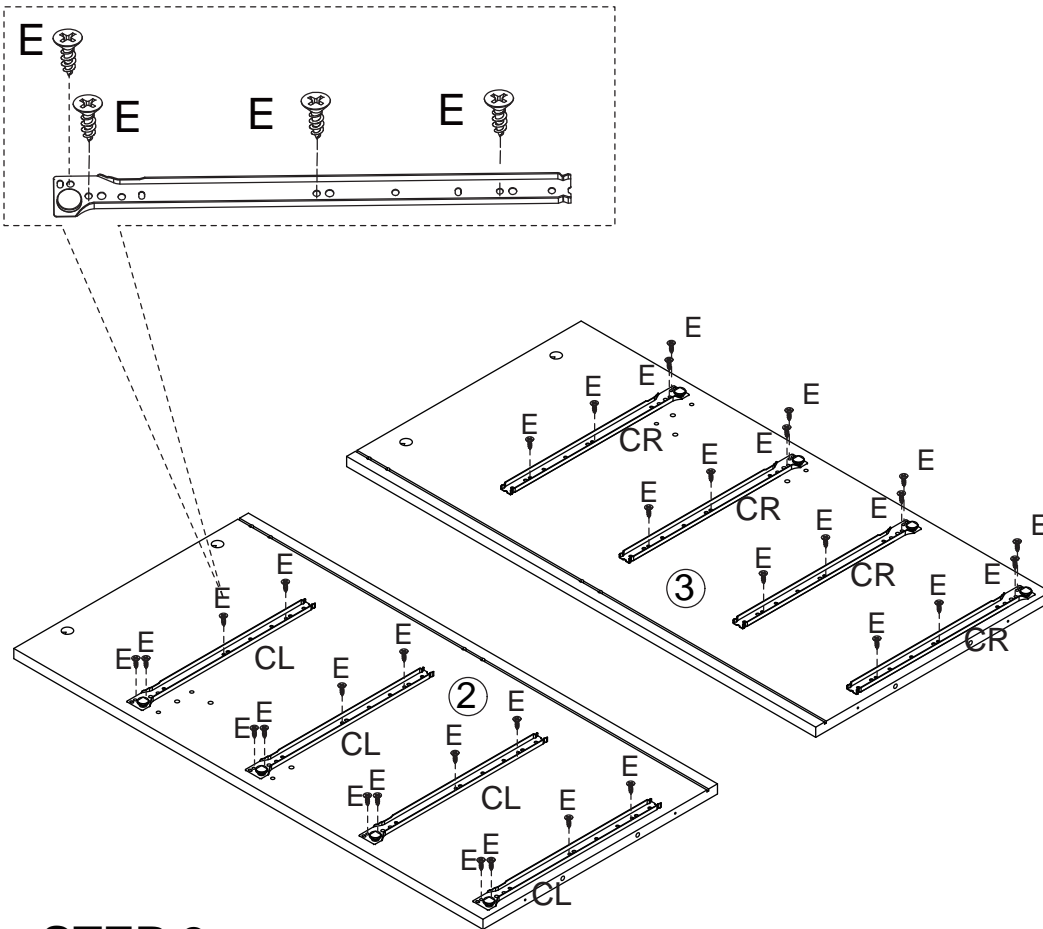


28- 3PCS

ASSEMBLY STEPS

STEP 1.

Fix outer drawer runners (CL) and (CR) to part 2 and part 3 using screws (E), as shown.



E x32



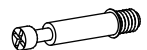
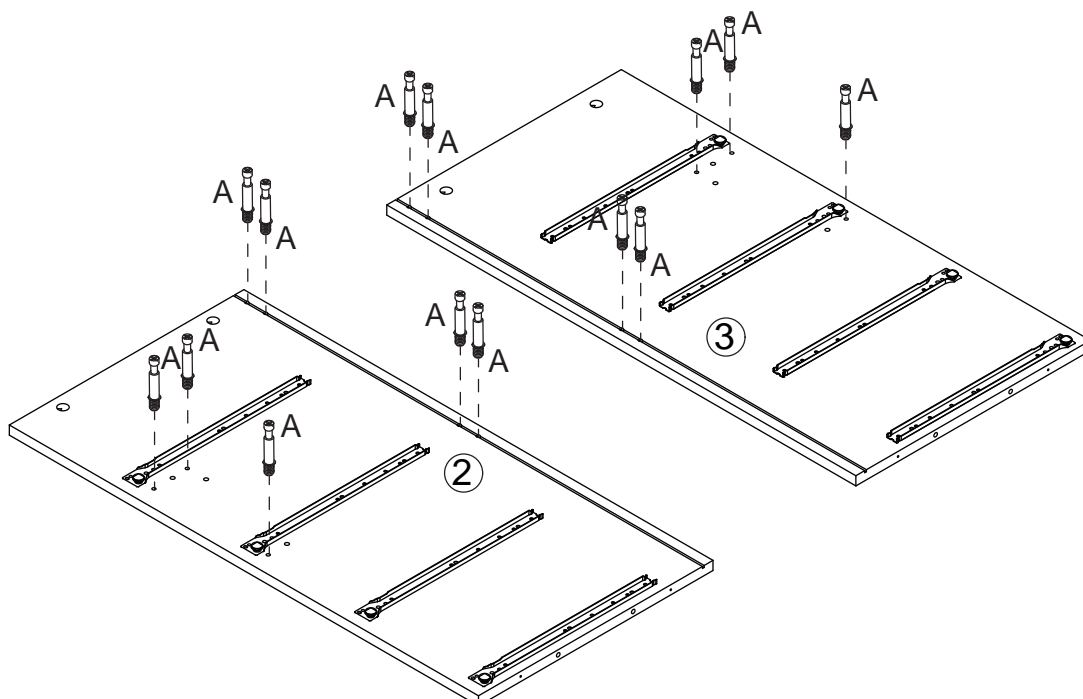
CR x4



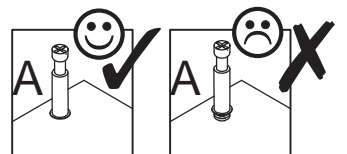
CL x4

STEP 2.

Insert quickfit screws (A) into parts 2 and 3, as shown.



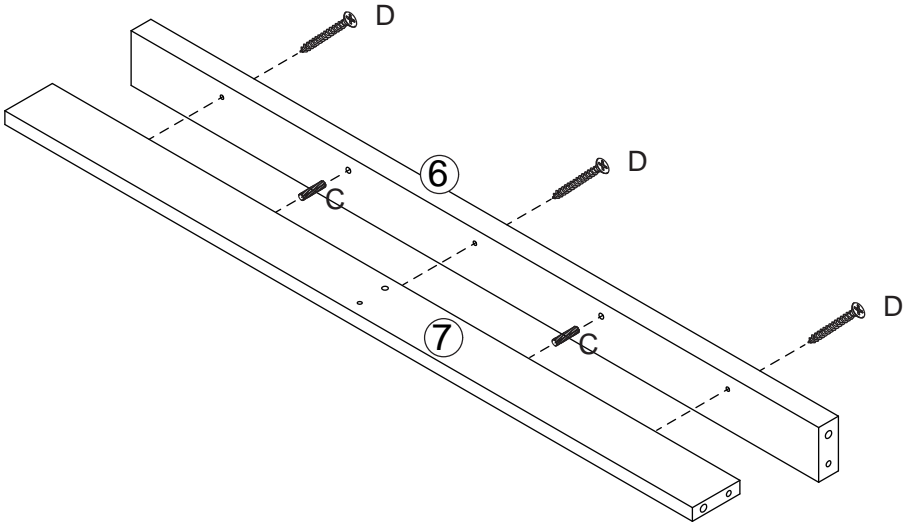
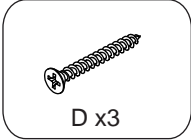
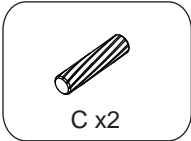
A x14



ASSEMBLY STEPS

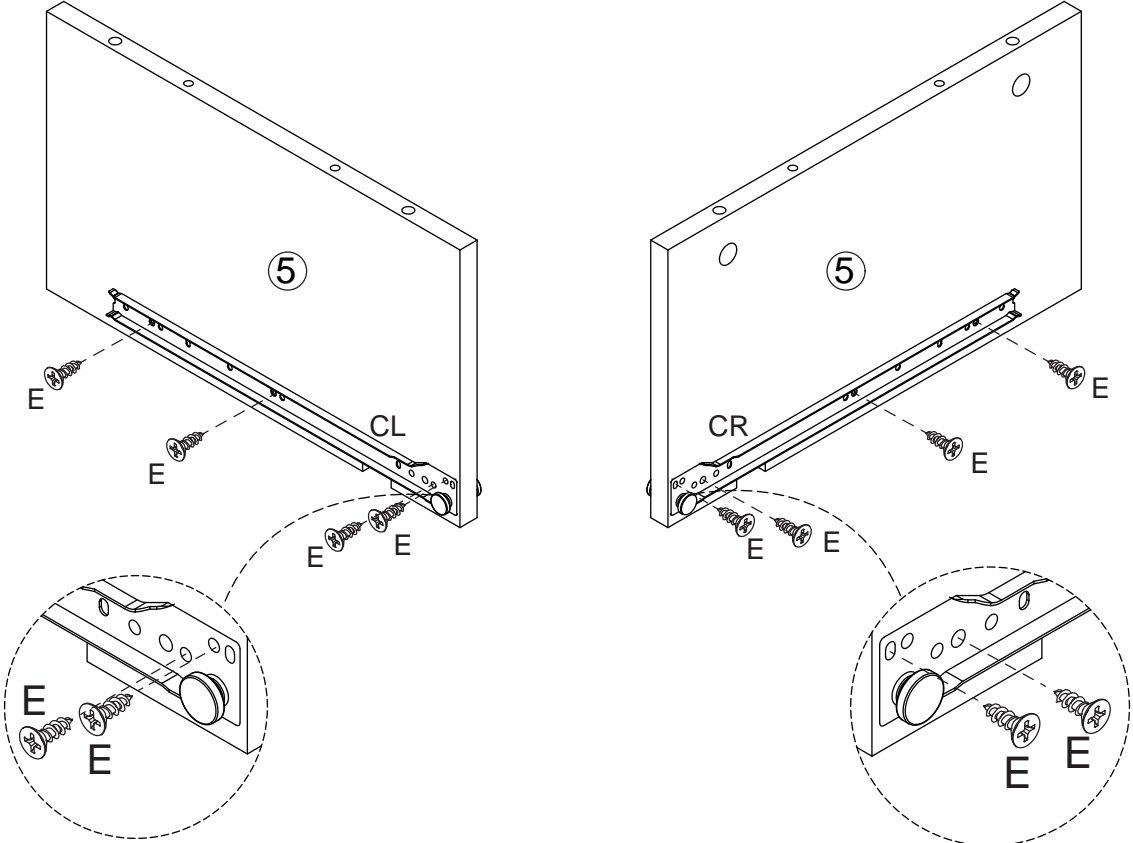
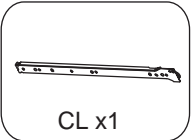
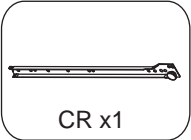
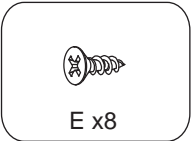
STEP 3.

Fix part 6 to part 7 using wooden dowels (C) and screws (D), as shown.



STEP 4.

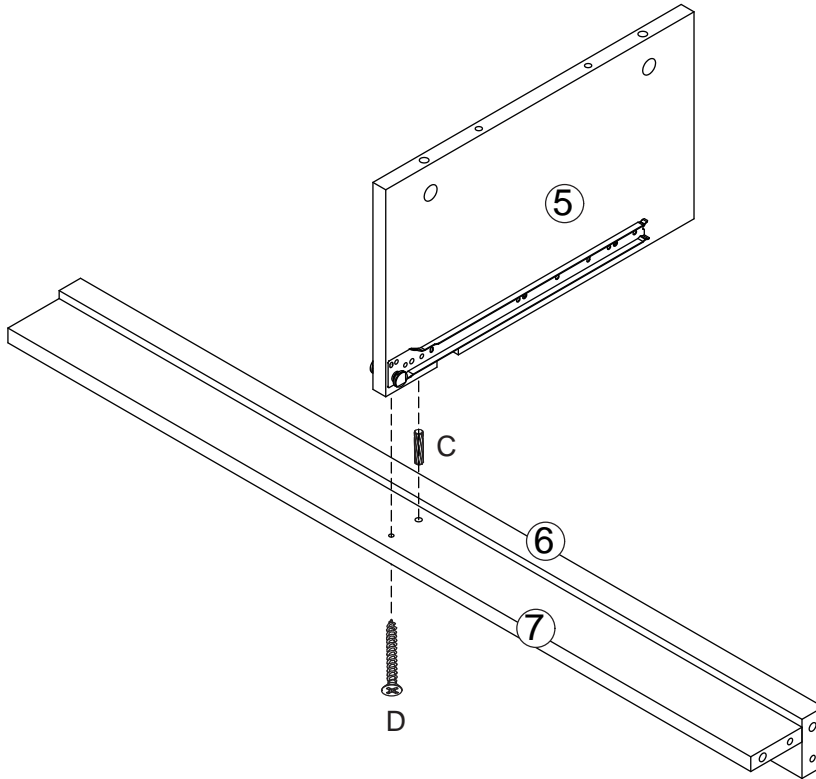
Fix outer drawer runners (CL) and (CR) to the both two sides of part 5 using screws (E), as shown.



ASSEMBLY STEPS

STEP 5.

Attach part 5 to part 7 with wooden dowel (C) and screw (D), as shown.



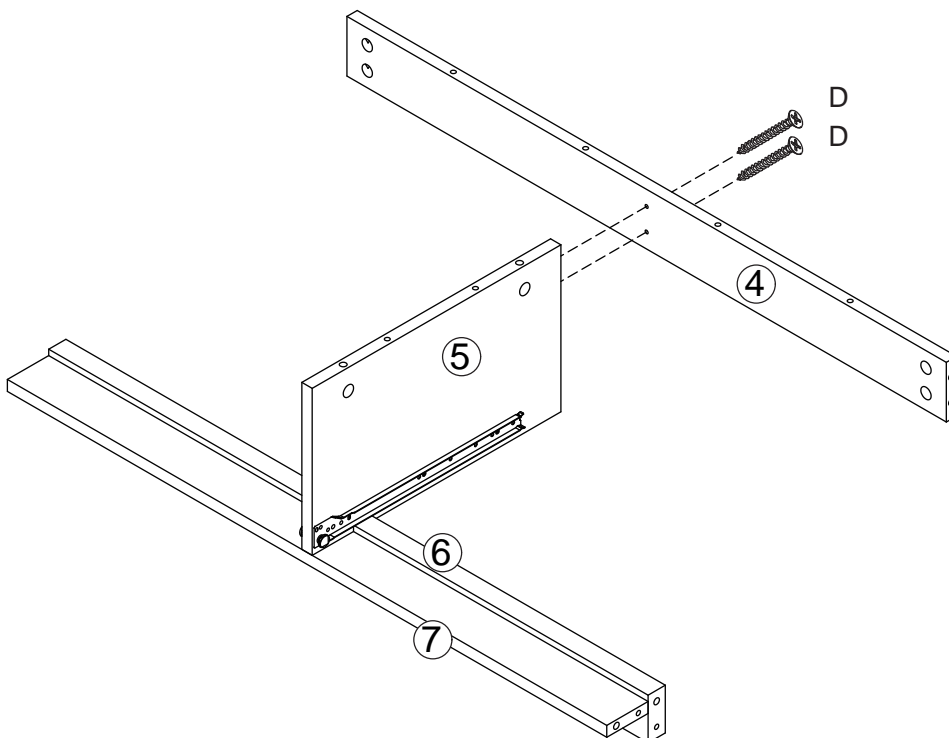
C x1



D x1

STEP 6.

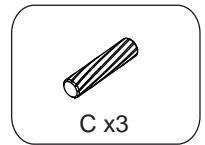
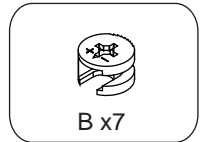
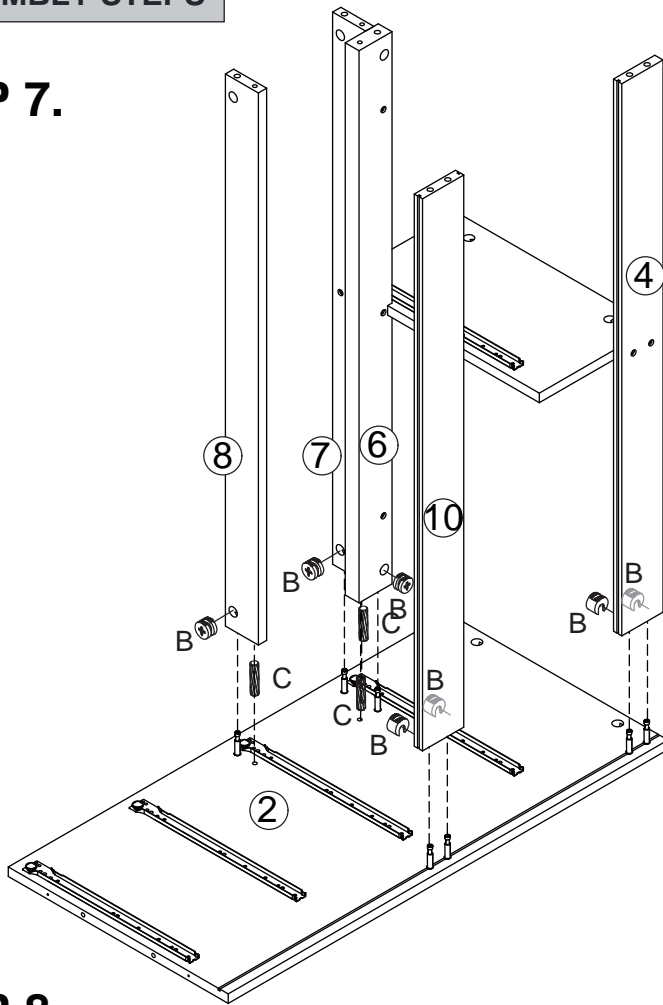
Fix part 4 to part 5 using screws (D), as shown.



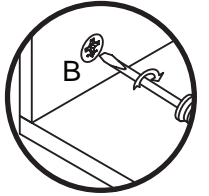
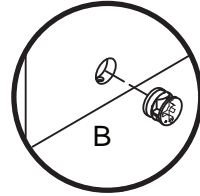
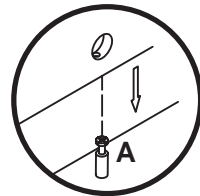
D x2

ASSEMBLY STEPS

STEP 7.

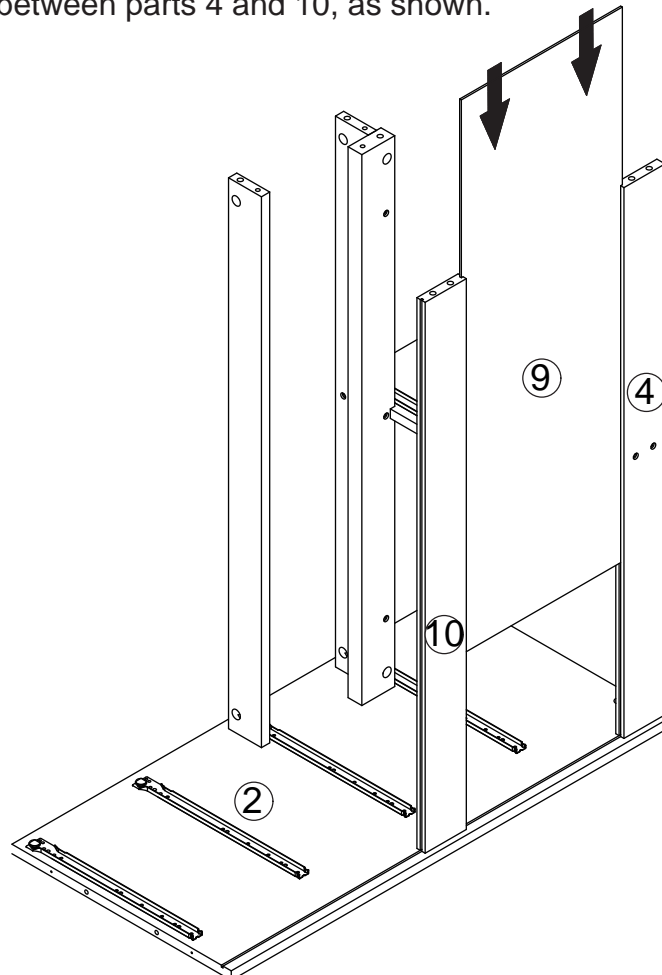


Insert cam locks (B) and wooden dowels (C) into parts 4, 6, 7, 8 and 10, as shown. Fit parts 4, 6, 7, 8 and 10 to part 2, as shown. Turn cam locks clockwise to tighten.



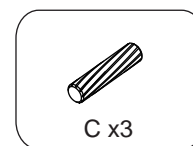
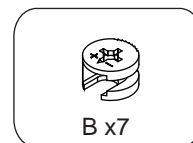
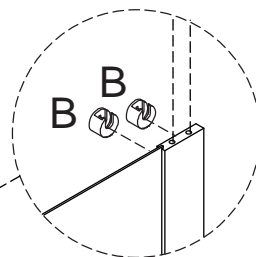
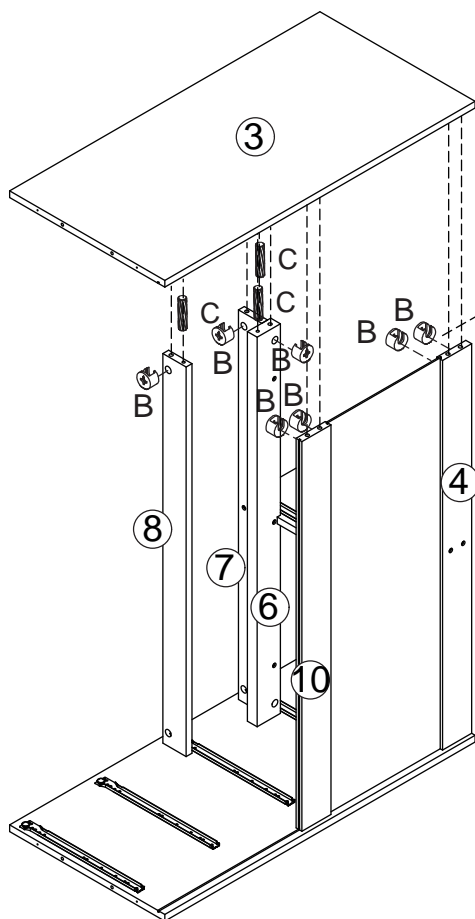
STEP 8.

Slide part 9 into grooves between parts 4 and 10, as shown.

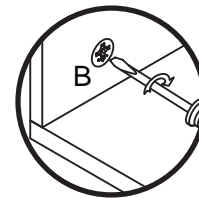
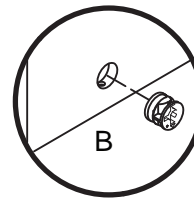
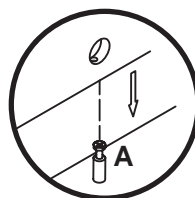


ASSEMBLY STEPS

STEP 9.

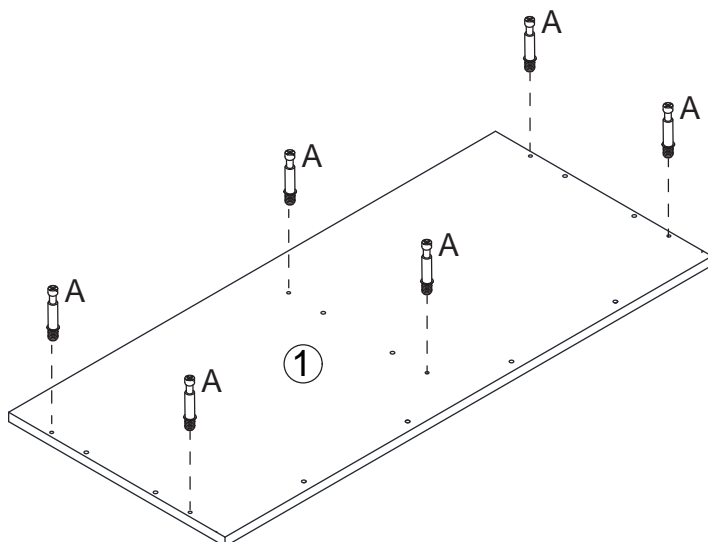
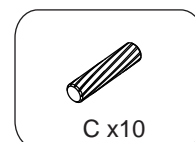
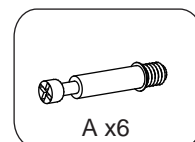
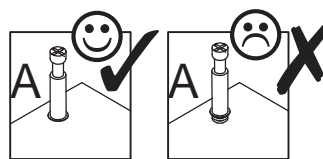
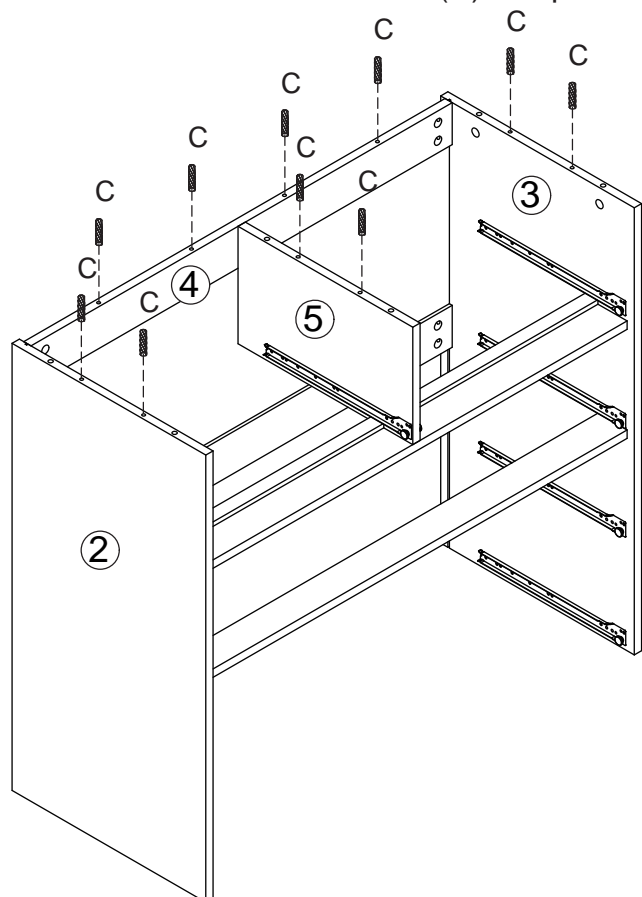


Insert cam locks (B) and wooden dowels (C) into parts 4, 6, 7, 8 and 10, as shown. Fit part 3 to parts 4, 6, 7, 8 and 10, as shown. Turn cam locks clockwise to tighten.



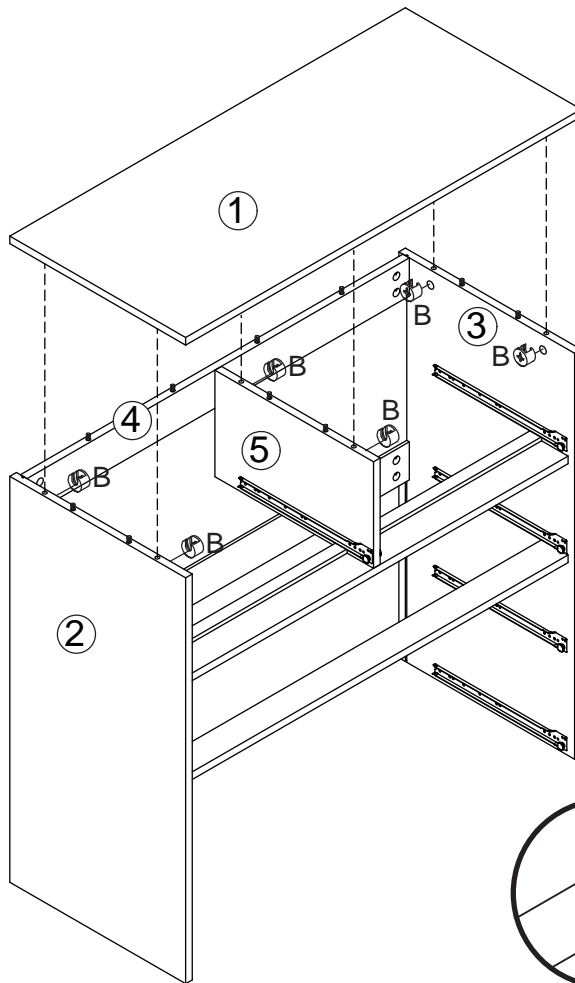
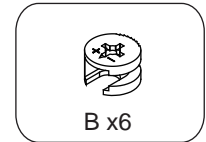
STEP 10.

Insert quickfit screws (A) into part 1, as shown.
Insert wooden dowels (C) into parts 2, 3, 4 and 5, as shown.



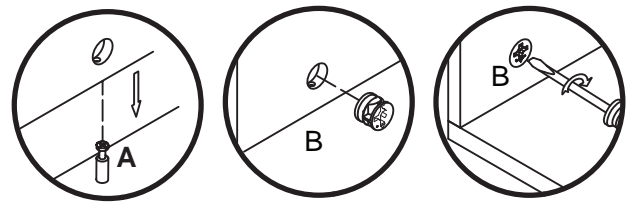
ASSEMBLY STEPS

STEP 11.

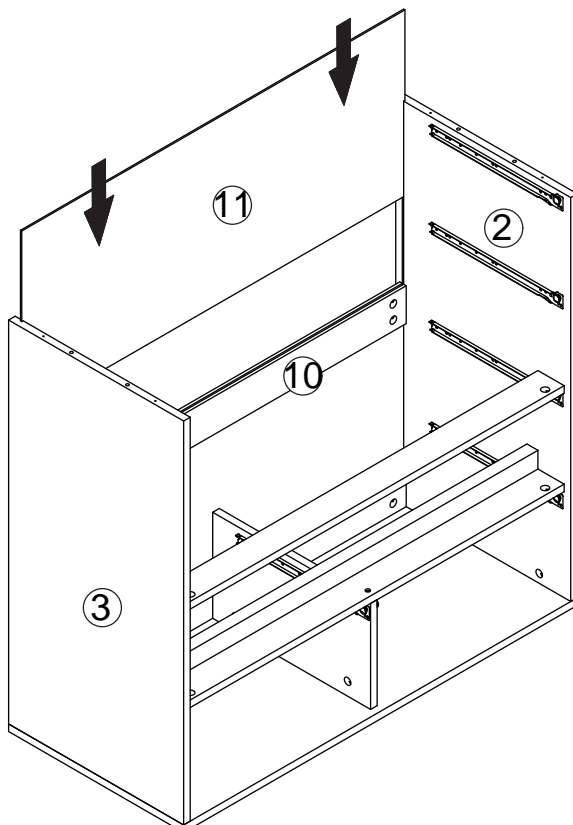


Insert cam locks (B) into parts 2, 3 and 5, as shown.
Fit part 1 to assembled unit, as shown.
Turn cam locks clockwise to tighten.

STEP 12.

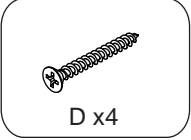
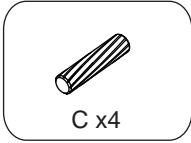
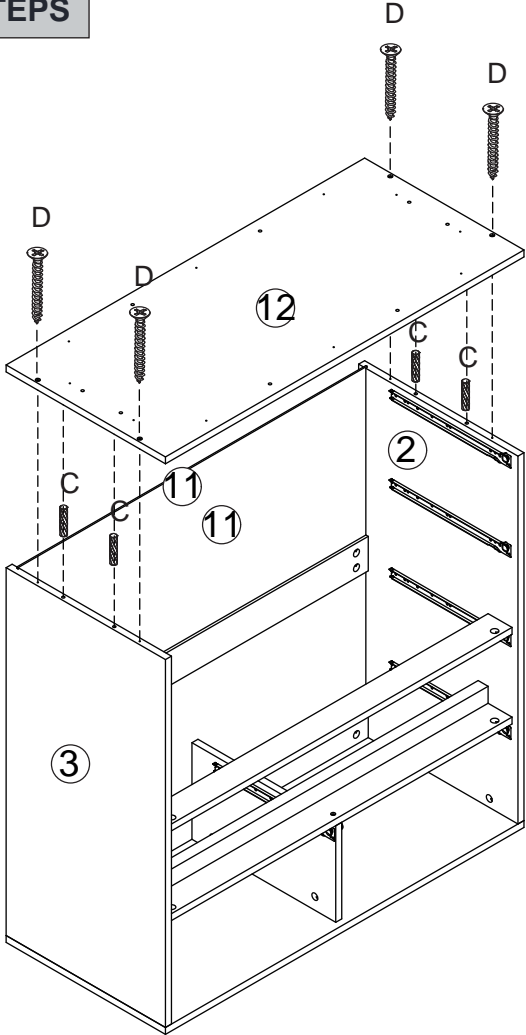


Slide part 11 into grooves between parts 2 and 3, as shown.



ASSEMBLY STEPS

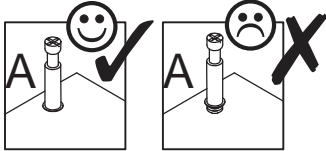
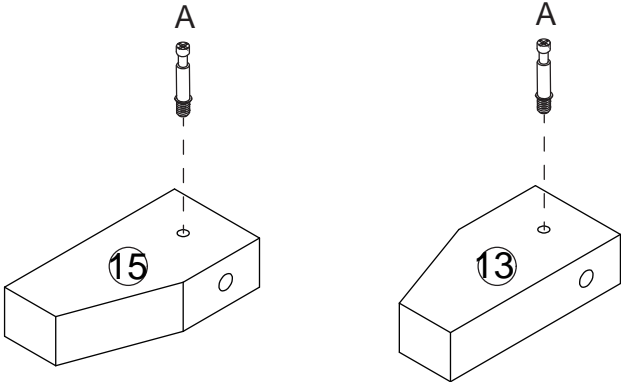
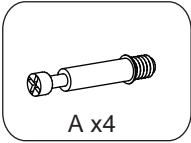
STEP 13.



Attach part 12 to parts 2 and 3 with wooden dowels (C) and screws (D), as shown.

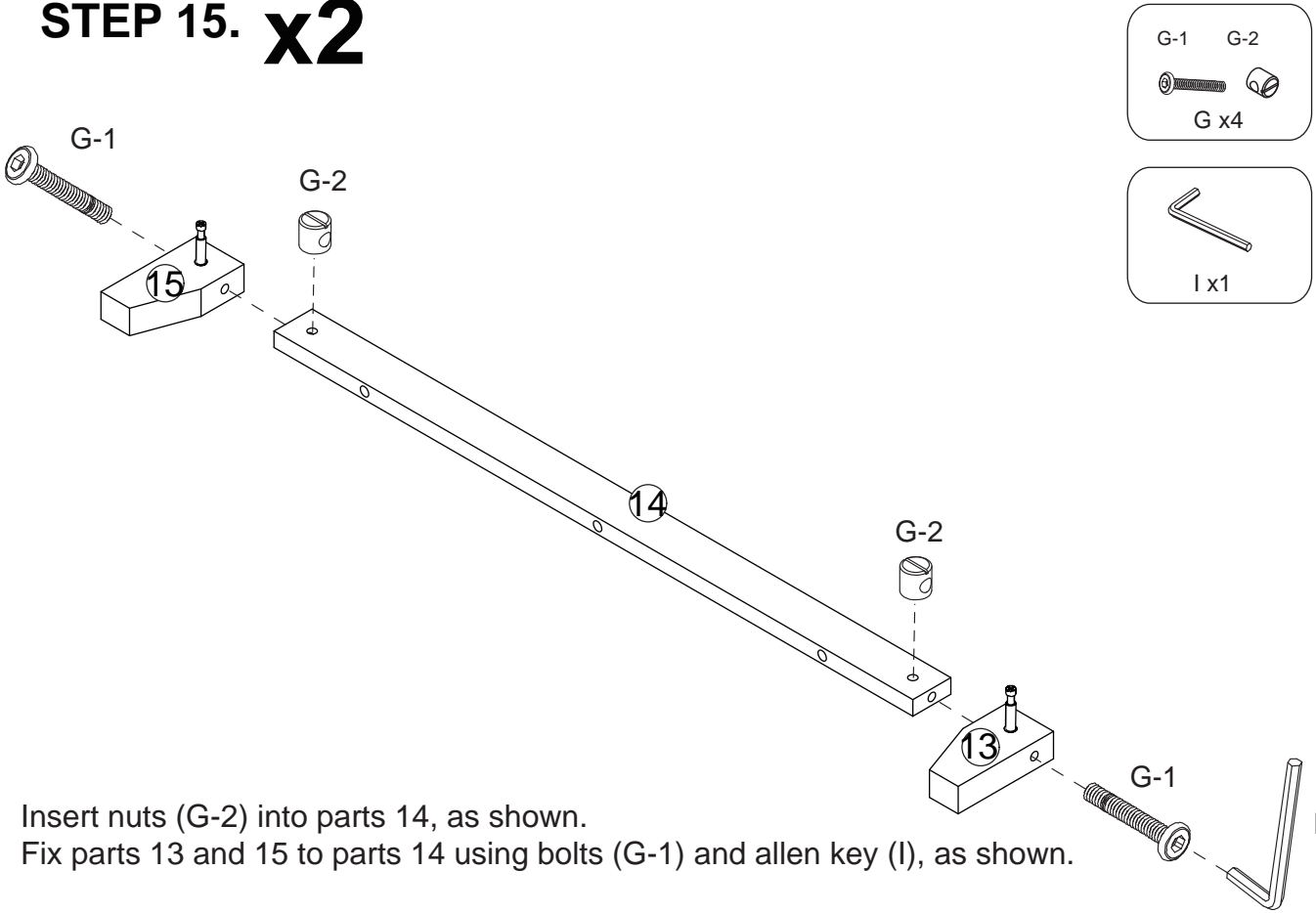
STEP 14. **x2**

Insert quickfit screws (A) into parts 13 and 15, as shown.



ASSEMBLY STEPS

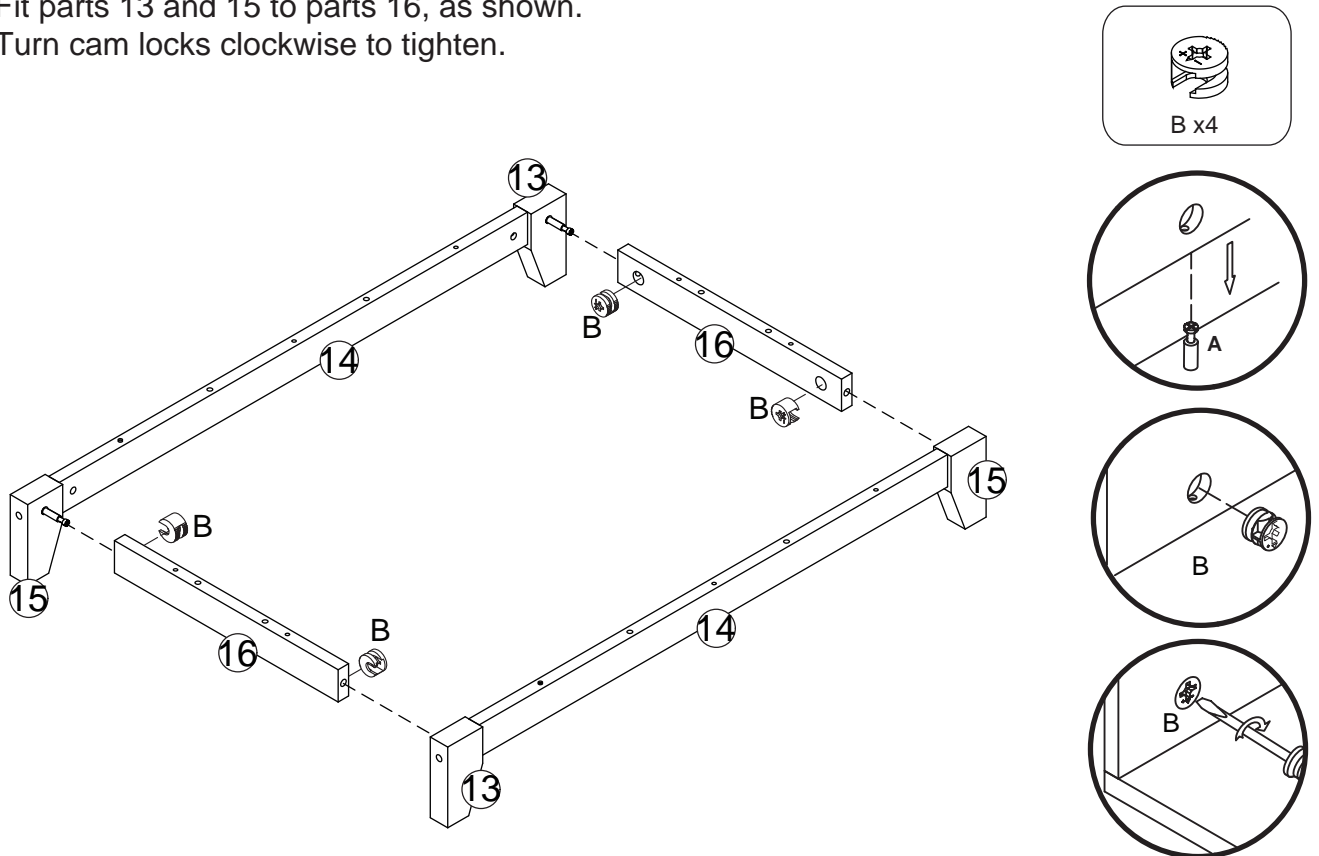
STEP 15. x2



Insert nuts (G-2) into parts 14, as shown.
Fix parts 13 and 15 to parts 14 using bolts (G-1) and allen key (I), as shown.

STEP 16.

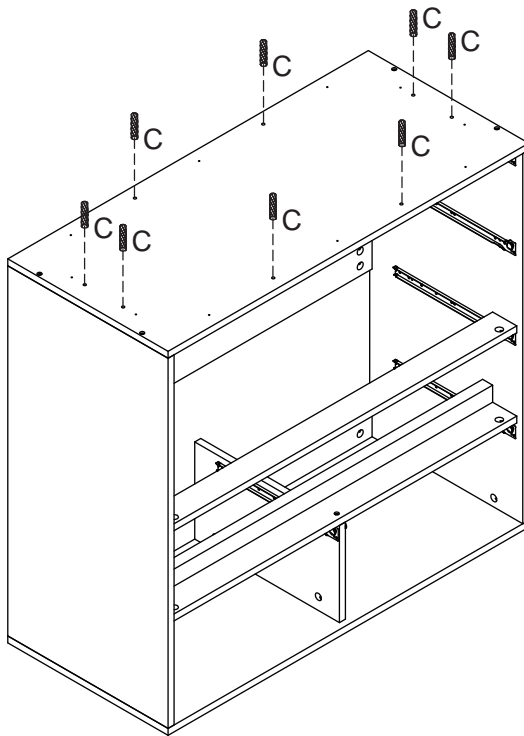
Insert cam locks (B) into parts 16.
Fit parts 13 and 15 to parts 16, as shown.
Turn cam locks clockwise to tighten.



ASSEMBLY STEPS

STEP 17.

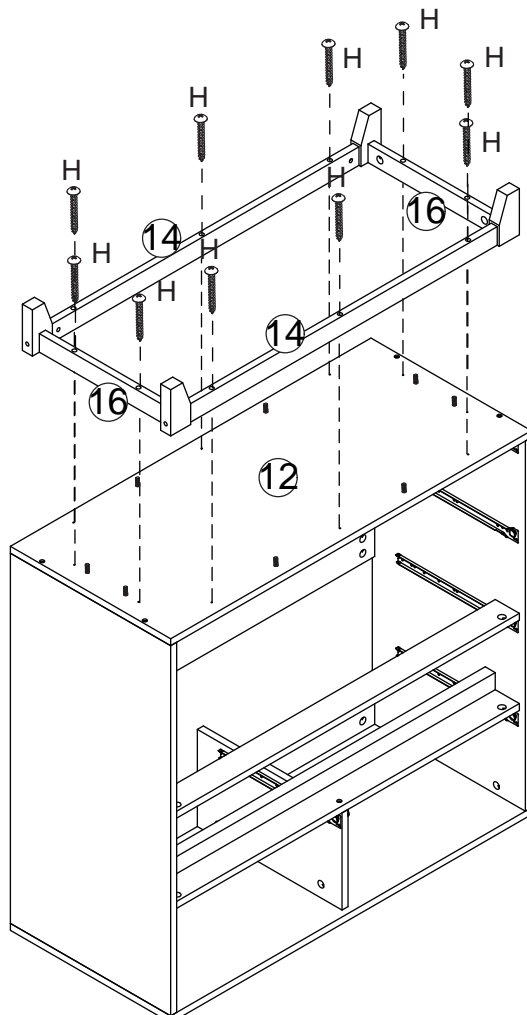
Insert wooden dowels (C) into part 12, as shown.



C x8

STEP 18.

Fix assembled legs to part 12 using screws (H), as shown.

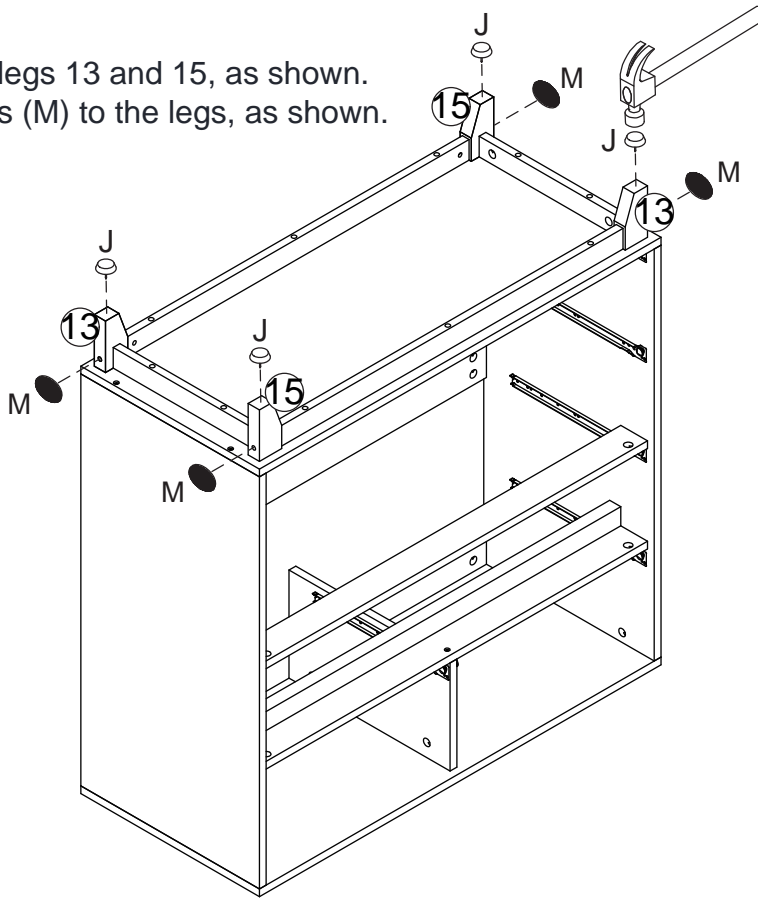


H x10

ASSEMBLY STEPS

STEP 19.

Fix foot nails (J) to legs 13 and 15, as shown.
Attach screw covers (M) to the legs, as shown.



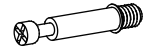
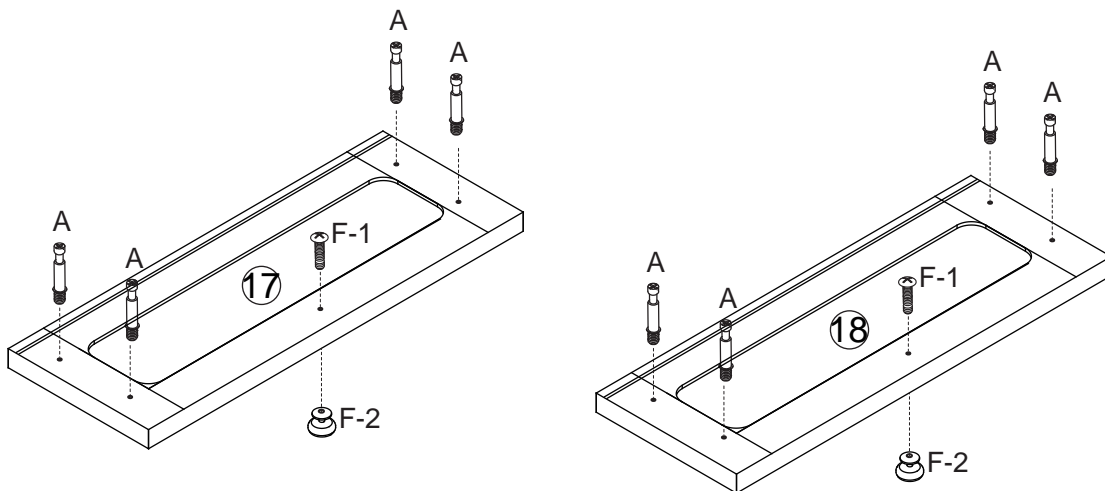
J x4



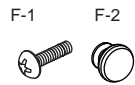
M x4

STEP 20.

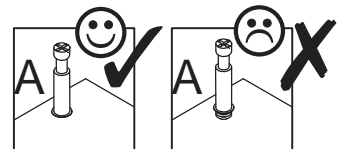
Insert quickfit screws (A) into parts 17 and 18, as shown.
Fix handles (F-2) to parts 17 and 18 using screws (F-1), as shown.



A x8

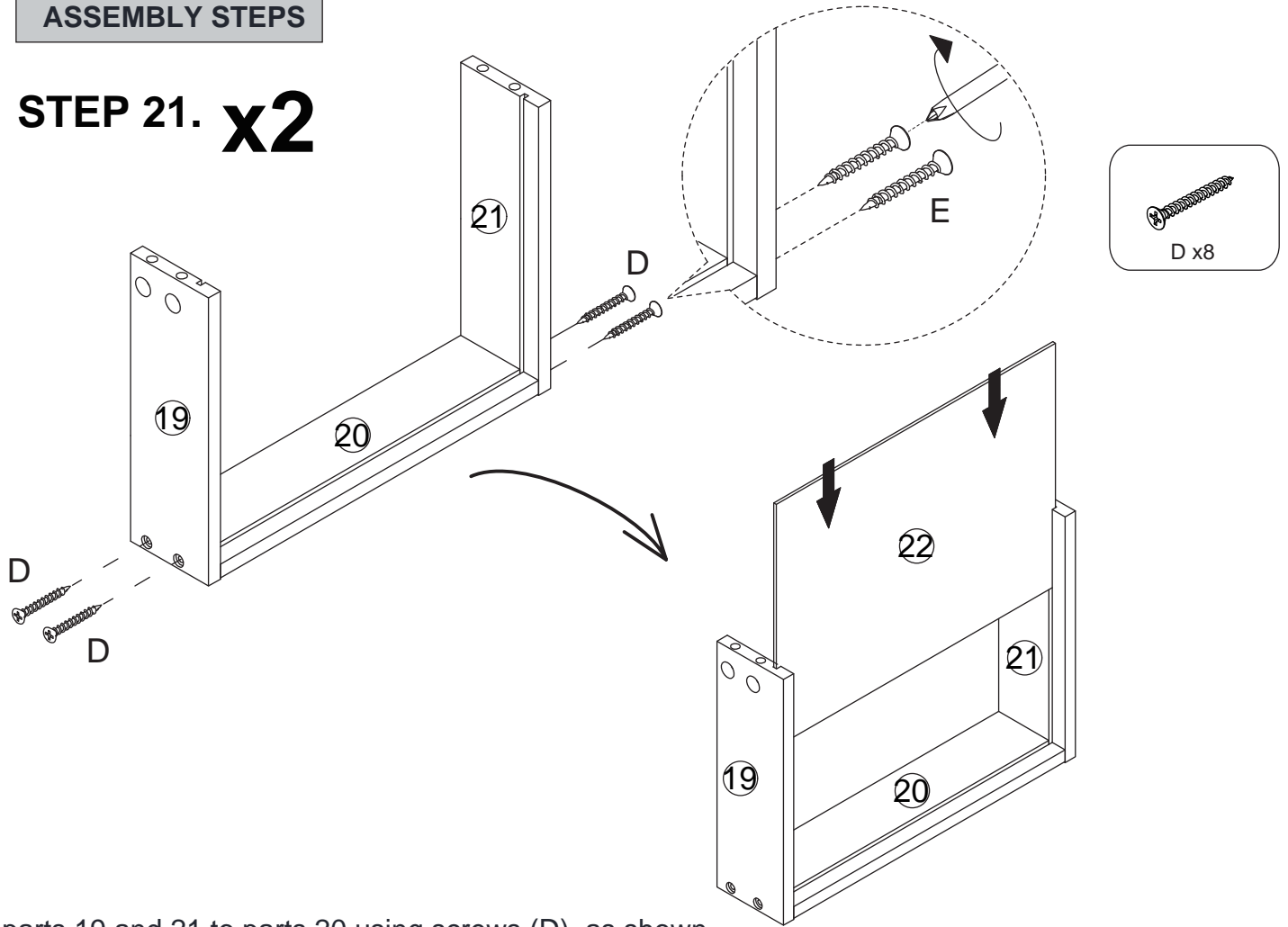


F x2



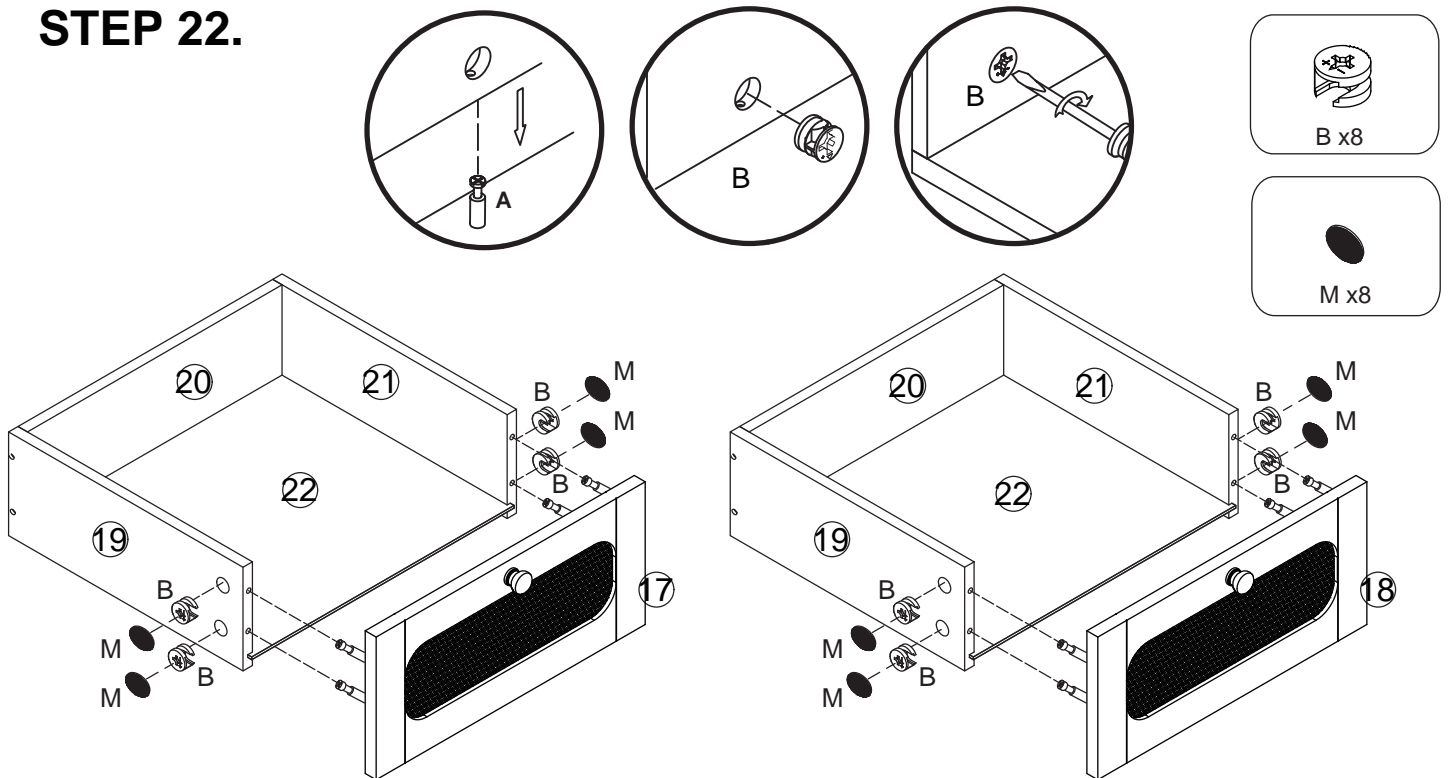
ASSEMBLY STEPS

STEP 21. **x2**



Fix parts 19 and 21 to parts 20 using screws (D), as shown.
Slide parts 22 into grooves between parts 19, 20 and 21, as shown.

STEP 22.

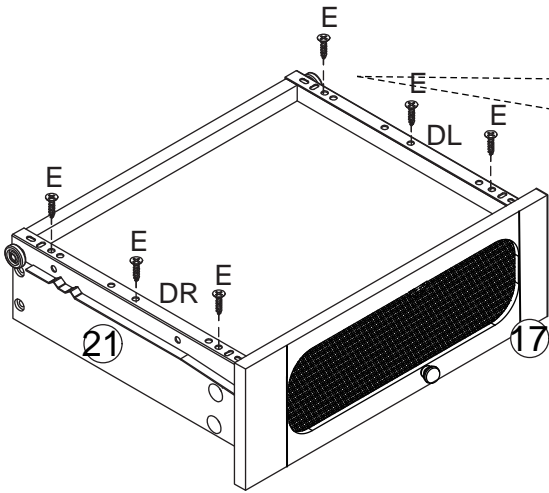


Insert cam locks (B) into parts 19 and 21, as shown.
Fit parts 17 and 18 to parts 19 and 21, as shown.
Turn cam locks clockwise to tighten.
Attach screw covers (M) to drawers, as shown.

ASSEMBLY STEPS

STEP 23.

Fix inner drawer runners (DL) and (DR) to assembled drawers using screws (E), as shown.



E x6



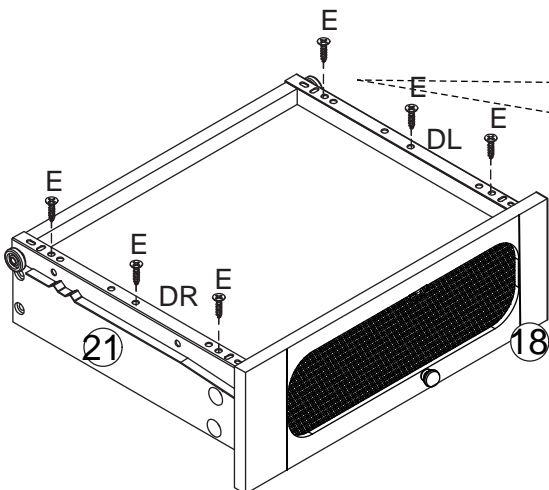
DL x1



DR x1

STEP 24.

Fix inner drawer runners (DL) and (DR) to assembled drawers using screws (E), as shown.



E x6



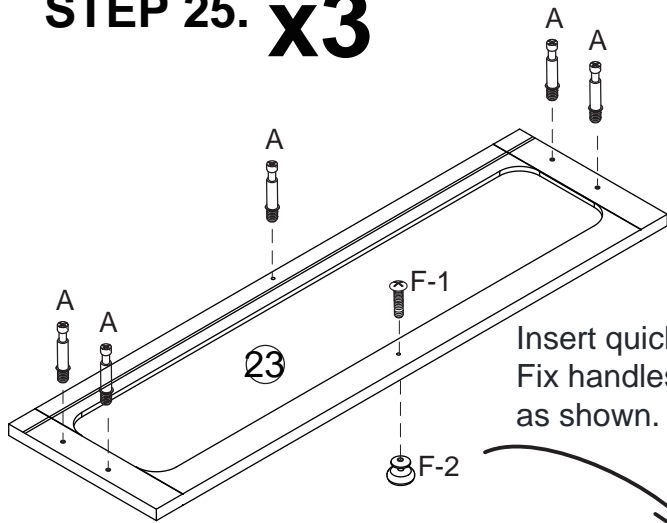
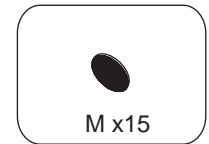
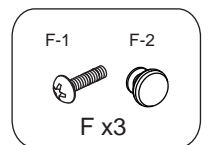
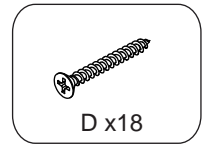
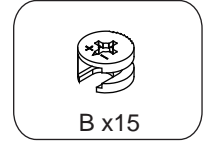
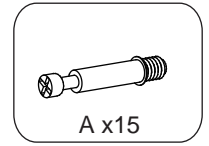
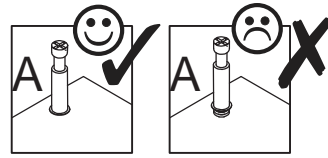
DL x1



DR x1

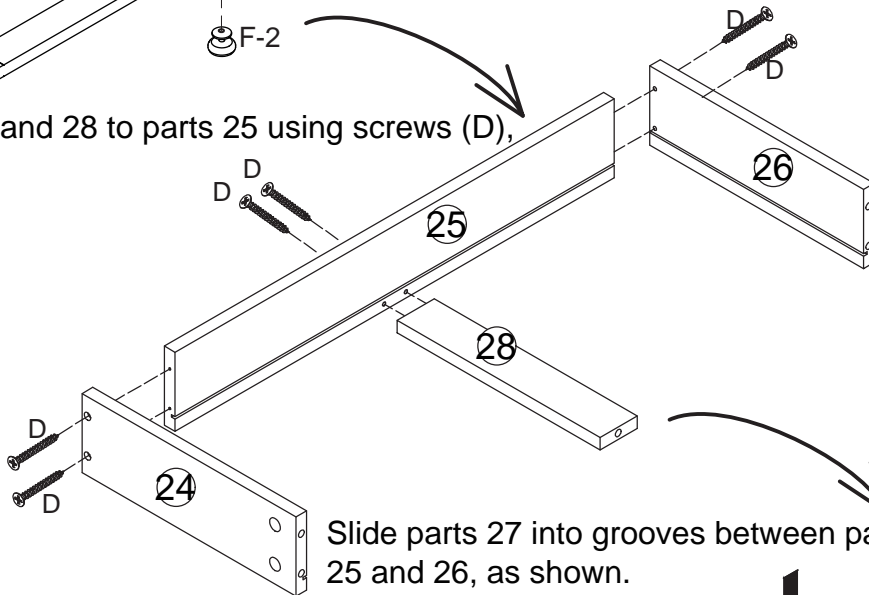
ASSEMBLY STEPS

STEP 25. **x3**



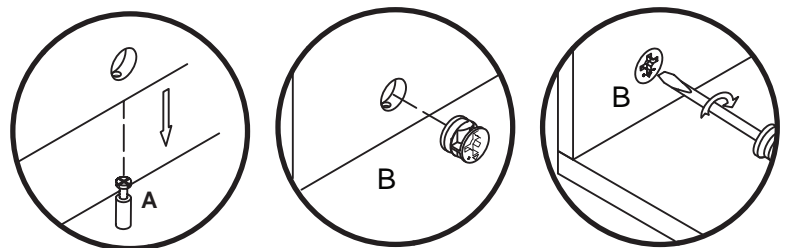
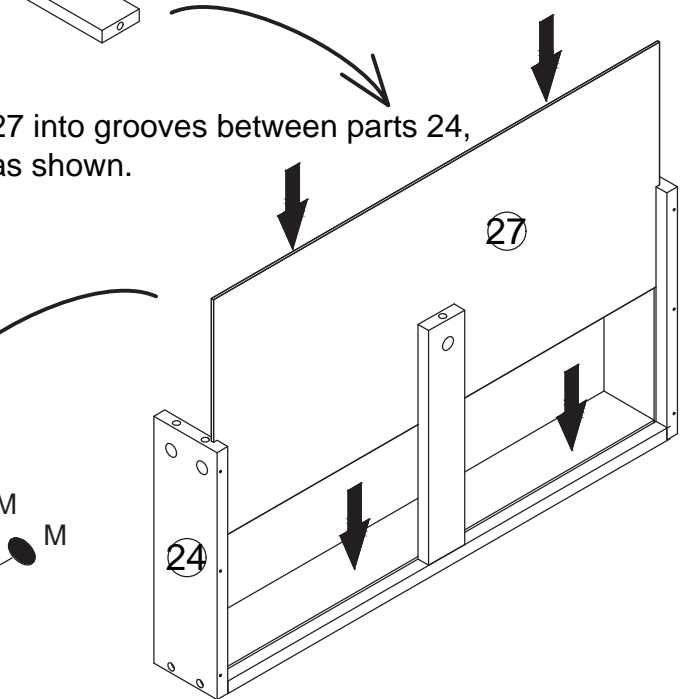
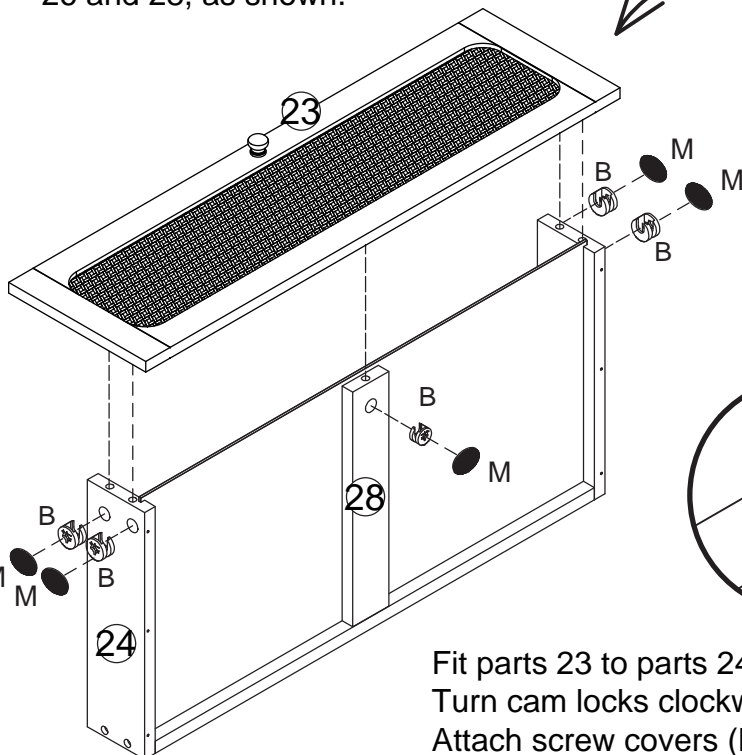
Insert quickfit screws (A) into parts 23, as shown. Fix handles (F-2) to parts 23 using screws (F-1), as shown.

Fix parts 24, 26 and 28 to parts 25 using screws (D), as shown.



Slide parts 27 into grooves between parts 24, 25 and 26, as shown.

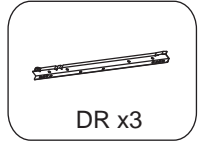
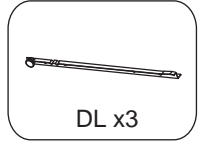
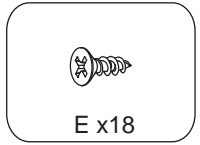
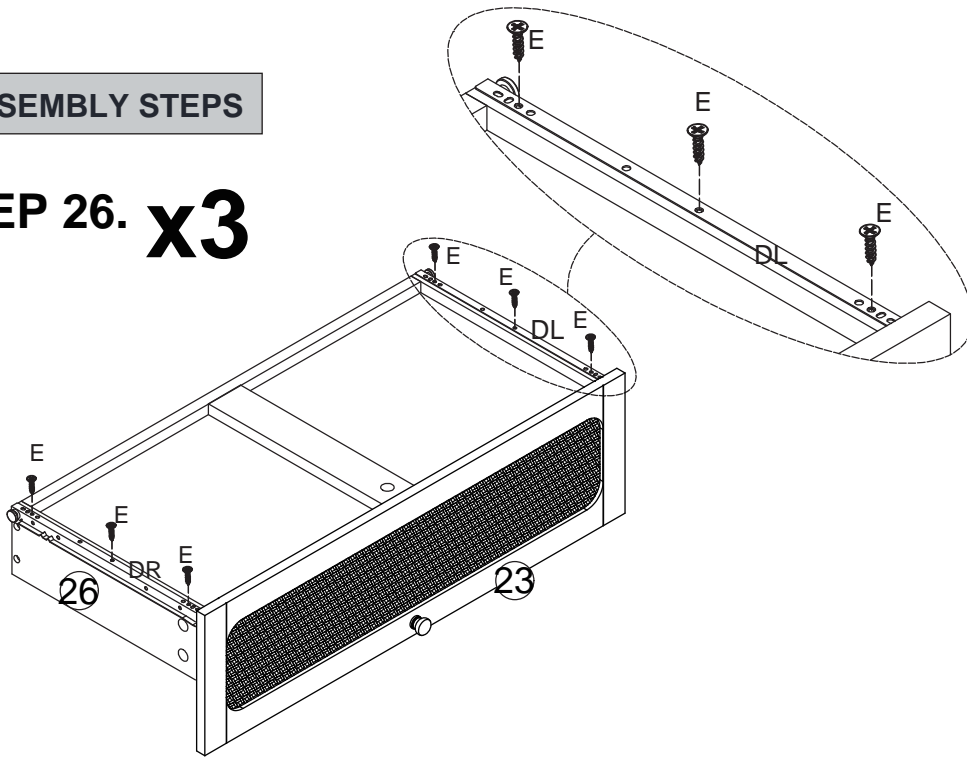
Insert cam locks (B) into parts 24, 26 and 28, as shown.



Fit parts 23 to parts 24, 26 and 28. Turn cam locks clockwise to tighten. Attach screw covers (M) to drawers, as shown.

ASSEMBLY STEPS

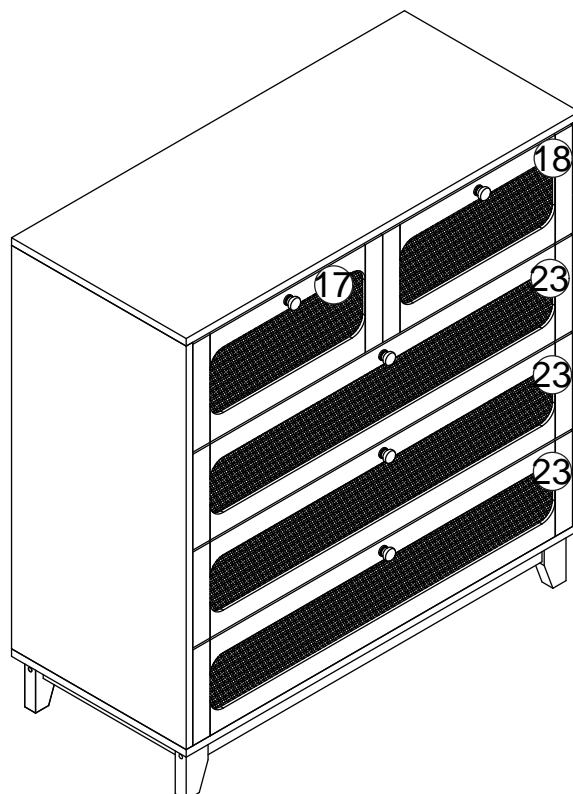
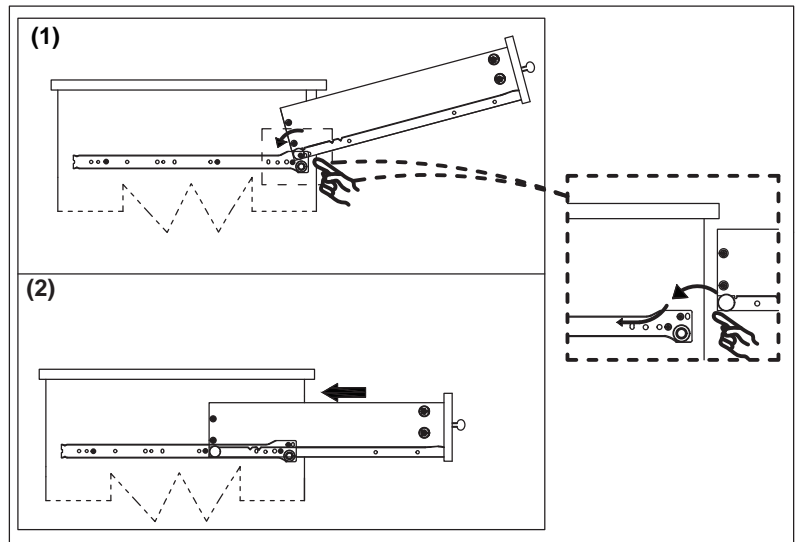
STEP 26. **x3**



Fix inner drawer runners (DL) and (DR) to assembled drawers using screws (E), as shown.

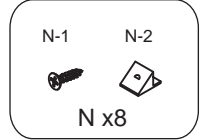
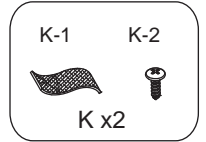
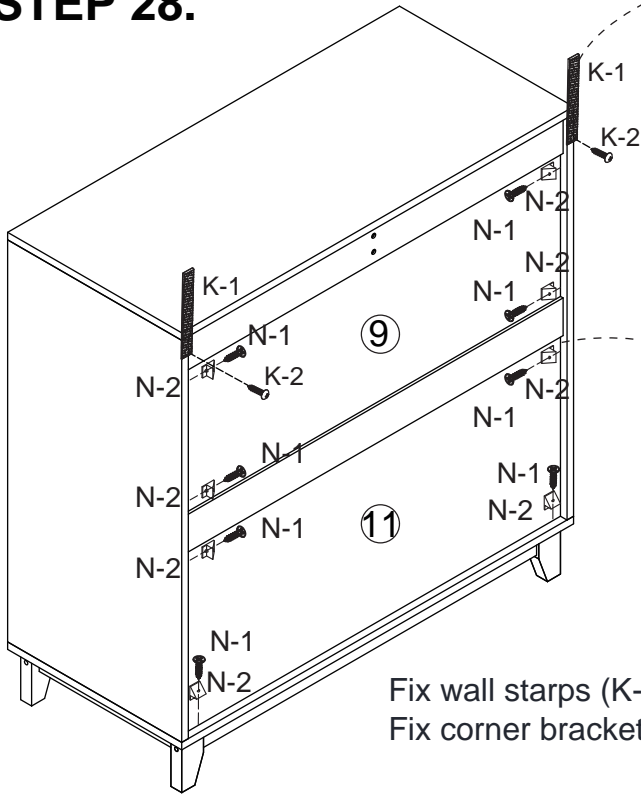
STEP 27.

Fit drawers into assembled unit, as shown.



ASSEMBLY STEPS

STEP 28.



Fix wall straps (K-1) on to parts 2 and 3 using screws (K-2), as shown.
Fix corner brackets (N-2) to parts 9 and 11 using screws (N-1), as shown.

STEP 29.

For extra stability, you must fix your chest of drawers to the wall using hardware (L-1 and L-2), as shown. Screws (L-2) are fixed through wall straps and into the wall plugs (L-1). Should you choose not to affix the product to the wall, serious injury may be caused if the product tips over.

