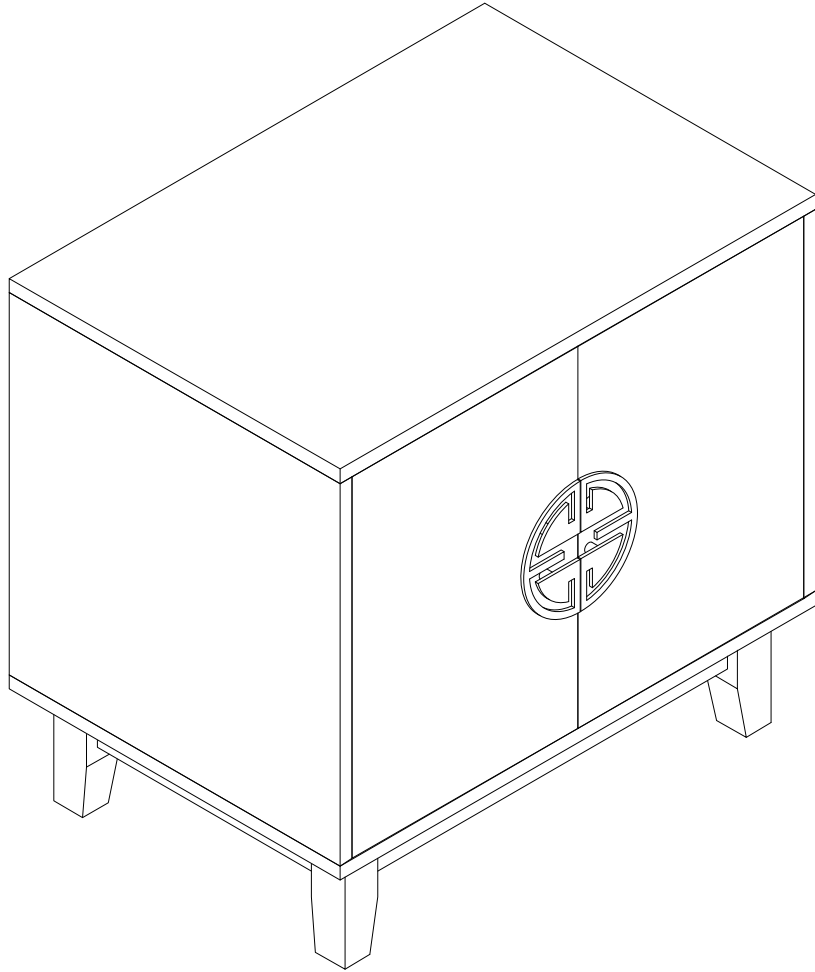
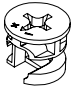
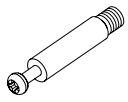
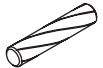
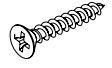
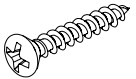
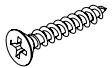
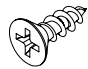


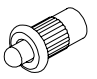
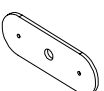

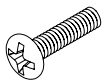

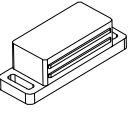


Cabinet

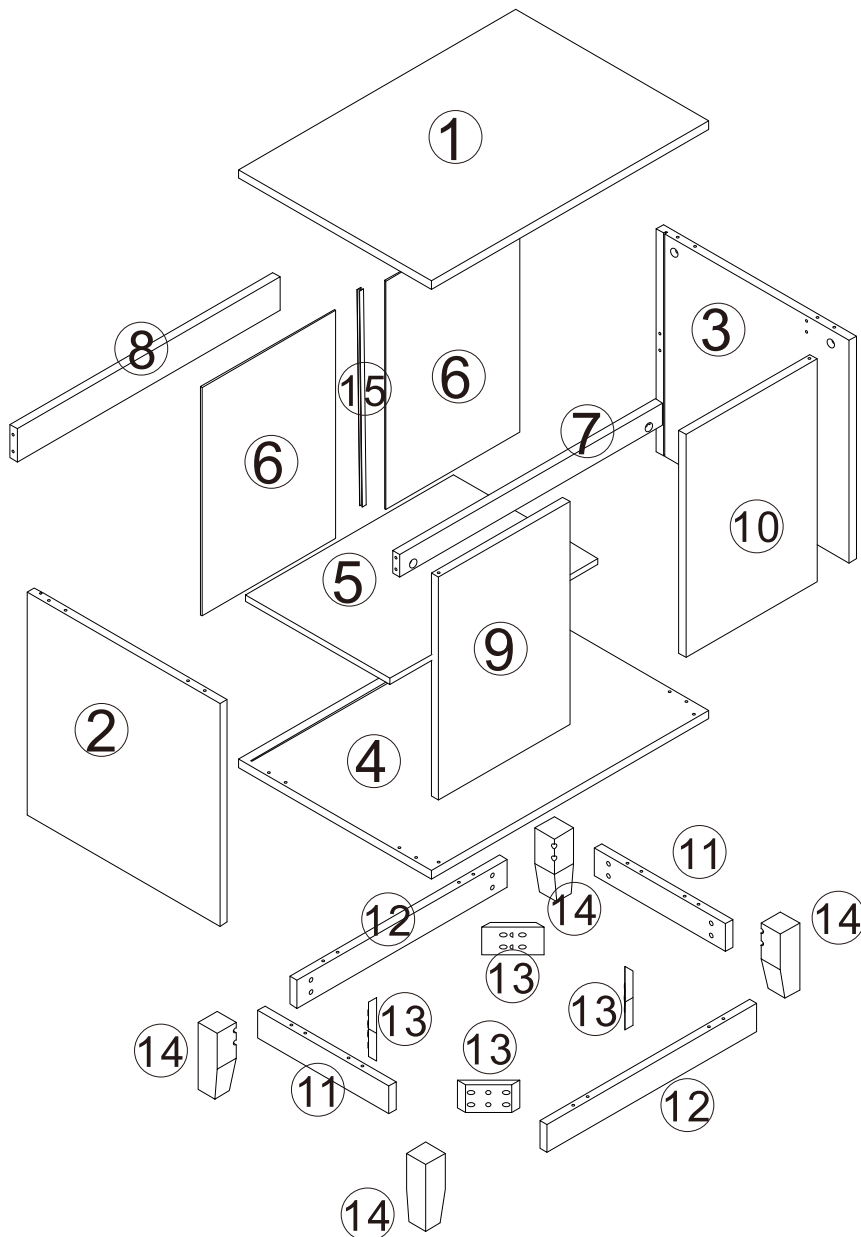


ASSEMBLY INSTRUCTION

HARDWARE LIST

A 10 PCS		B 10 PCS		C 18 PCS		D 4 PCS		E 8 PCS	
F 16 PCS		G 4 PCS		H 8 PCS		I 8 PCS		J 4 PCS	
K 2 PCS		L 1 PC		M 4 PCS		N 4 PCS		O 1 PC	

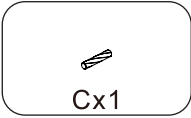
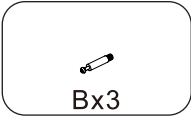
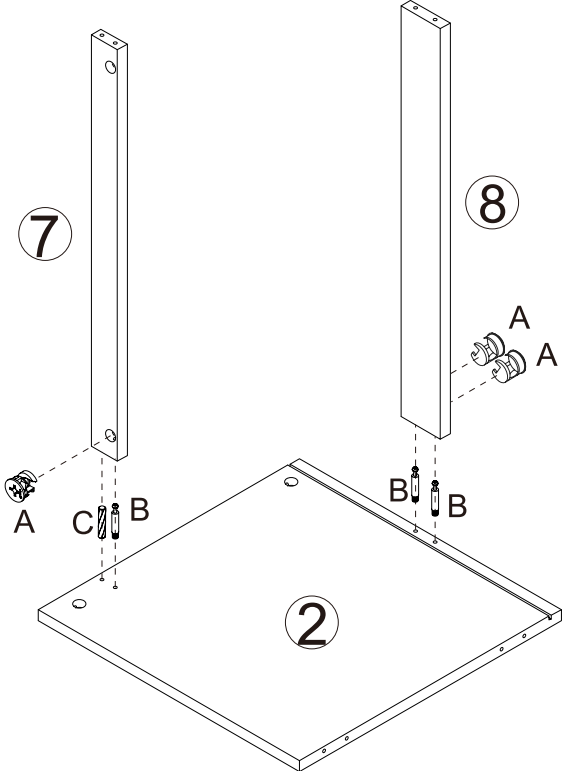
PARTS LIST



ASSEMBLY STEPS

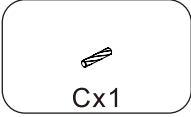
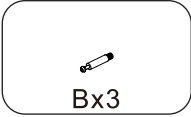
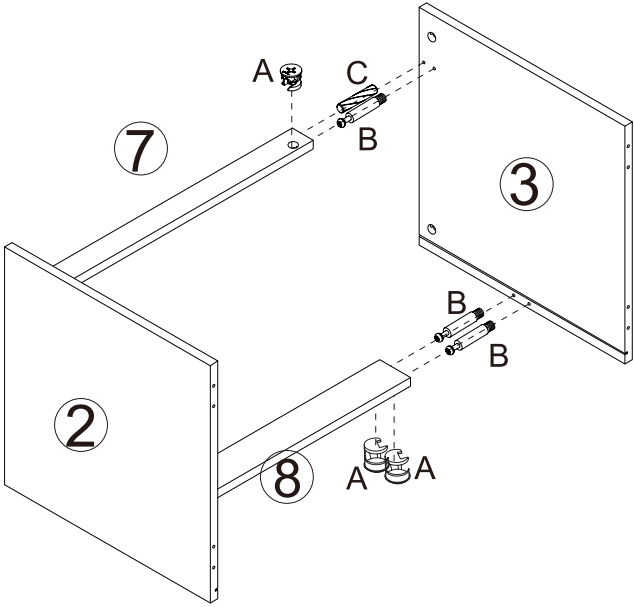
STEP 1.

Insert quickfit screws (B) and wooden dowel (C) into part 2, as shown.
Insert cam locks (A) into parts 7 and 8. Fit parts 7 and 8 to part 2, as shown.
Turn cam locks clockwise to tighten.



STEP 2.

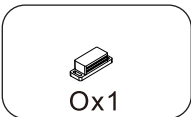
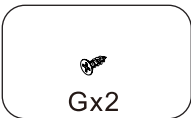
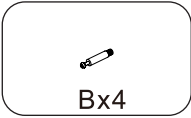
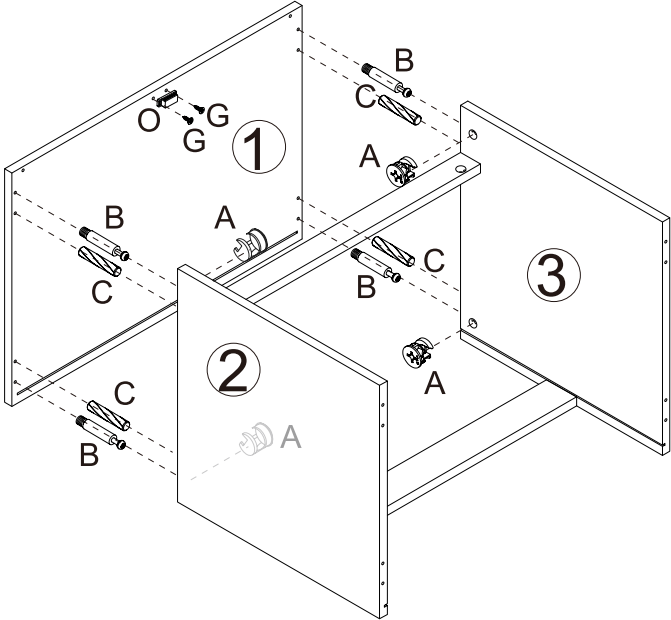
Insert quickfit screws (B) and wooden dowel (C) into part 3, as shown.
Insert cam locks (A) into parts 7 and 8.
Fit parts 7 and 8 to part 3, as shown.
Turn cam locks clockwise to tighten.



ASSEMBLY STEPS

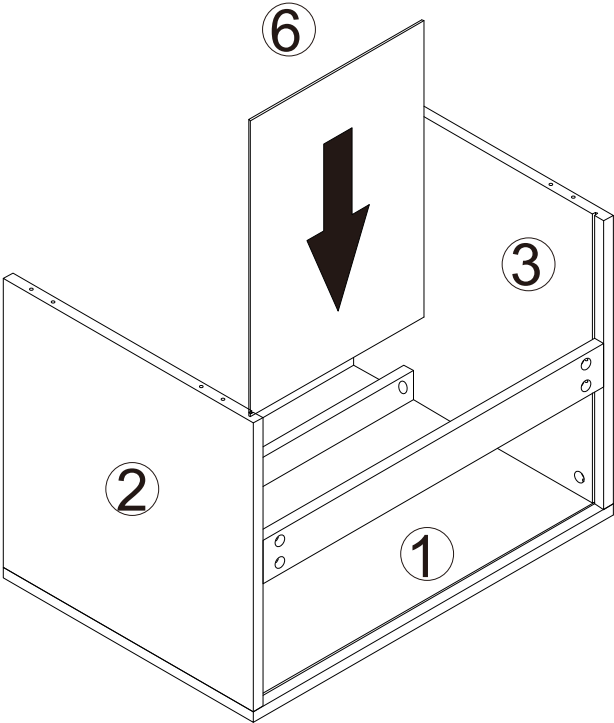
STEP 3.

Fix hardware (O) to part 1 using screws (G), as shown.
Insert quickfit screws (B) and wooden dowels (C) into part 1.
Insert cam locks (A) into parts 2 and 3, as shown.
Attach part 1 to parts 2 and 3, as shown.
Turn cam locks clockwise to tighten.



STEP 4.

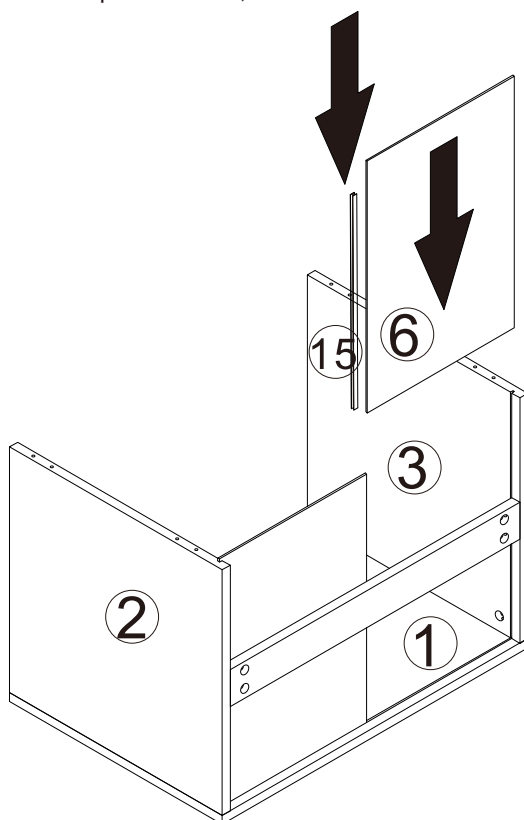
Slide part 6 into grooves between parts 1 and 2, as shown.



ASSEMBLY STEPS

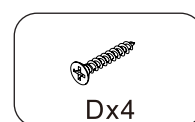
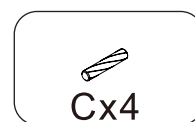
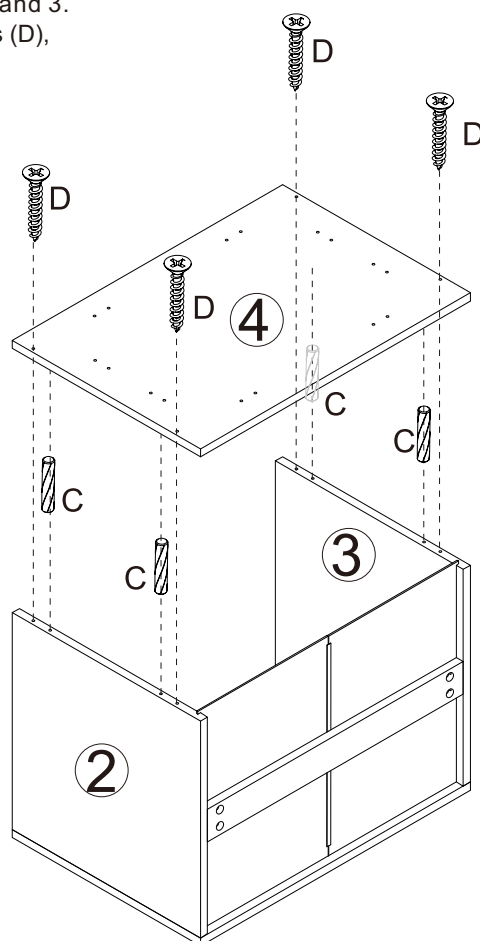
STEP 5.

Slide parts 15 and 6 into grooves between parts 1 and 3, as shown.



STEP 6.

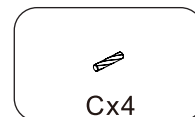
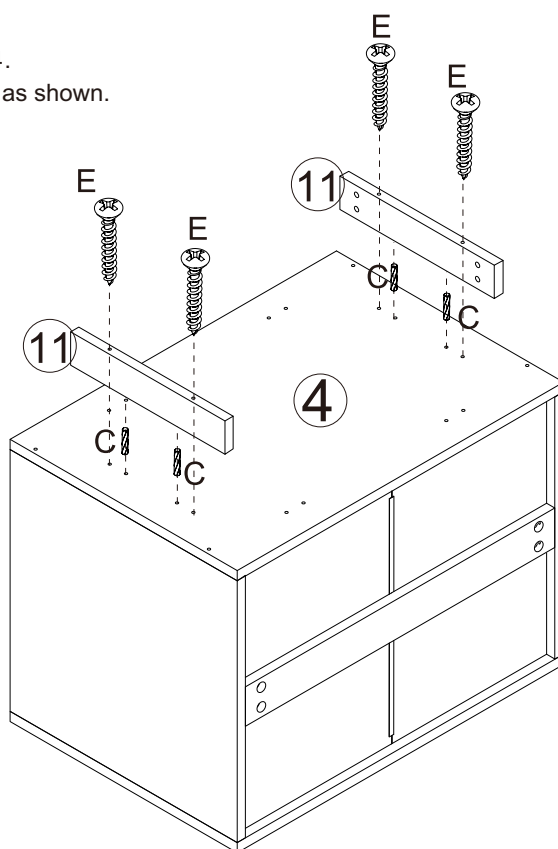
Insert wooden dowels (C) into parts 2 and 3.
Fix part 4 to assembled unit using screws (D), as shown.



ASSEMBLY STEPS

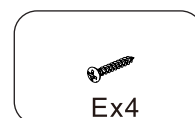
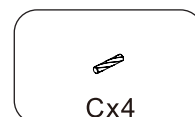
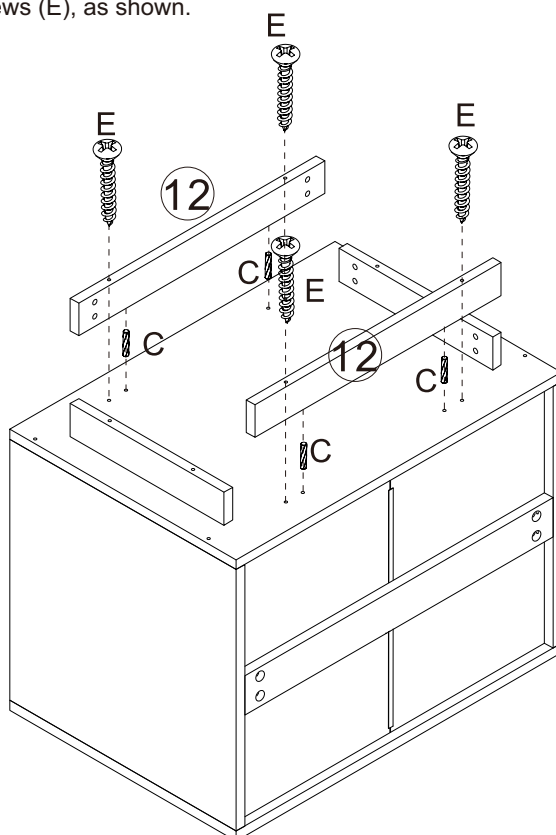
STEP 7.

Insert wooden dowels (C) into part 4.
Fix parts 11 to part 4 using screws (E), as shown.



STEP 8.

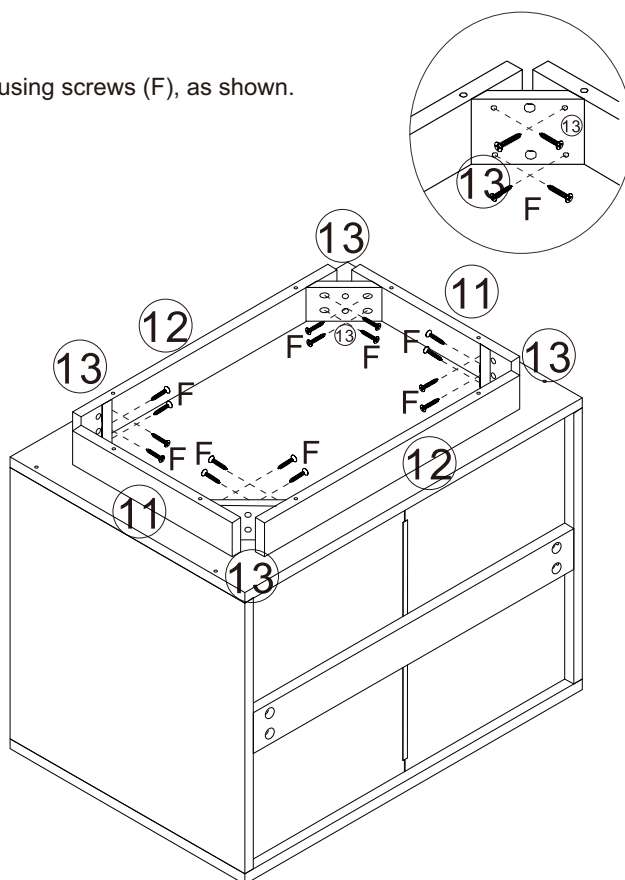
Insert wooden dowels (C) into part 4.
Fix parts 12 to part 4 using screws (E), as shown.



ASSEMBLY STEPS

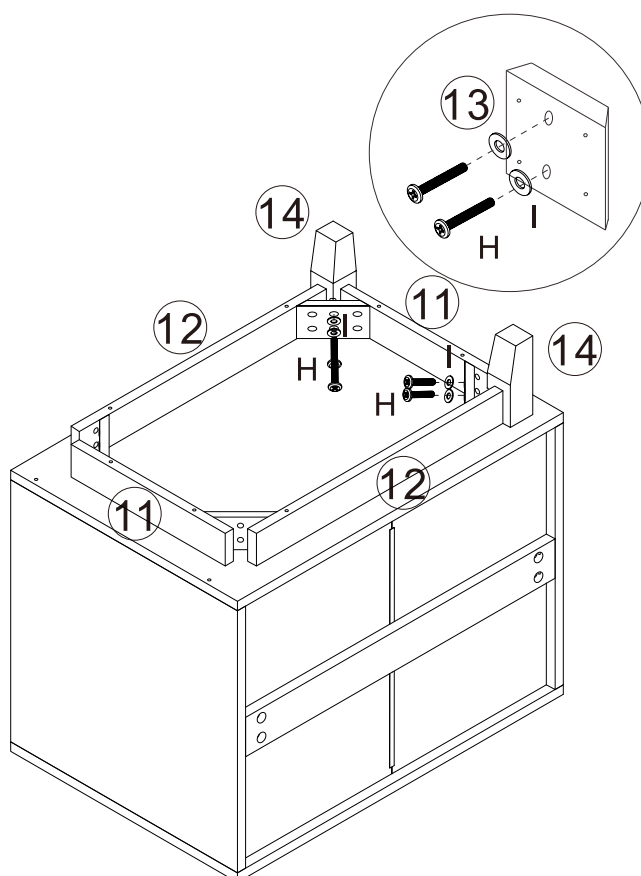
STEP 9.

Fix parts 13 to parts 11 and 12 using screws (F), as shown.



STEP 10.

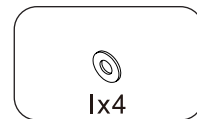
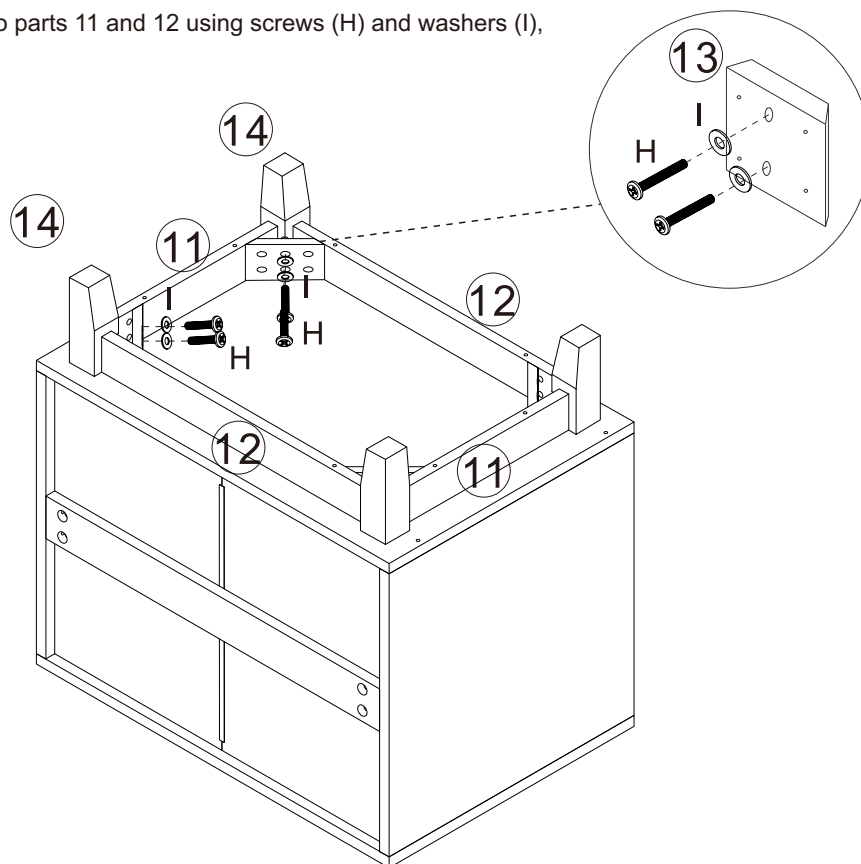
Fix parts 13 to parts 11 and 12 using screws (H) and washers (I), as shown.



ASSEMBLY STEPS

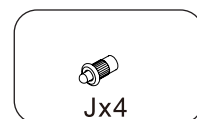
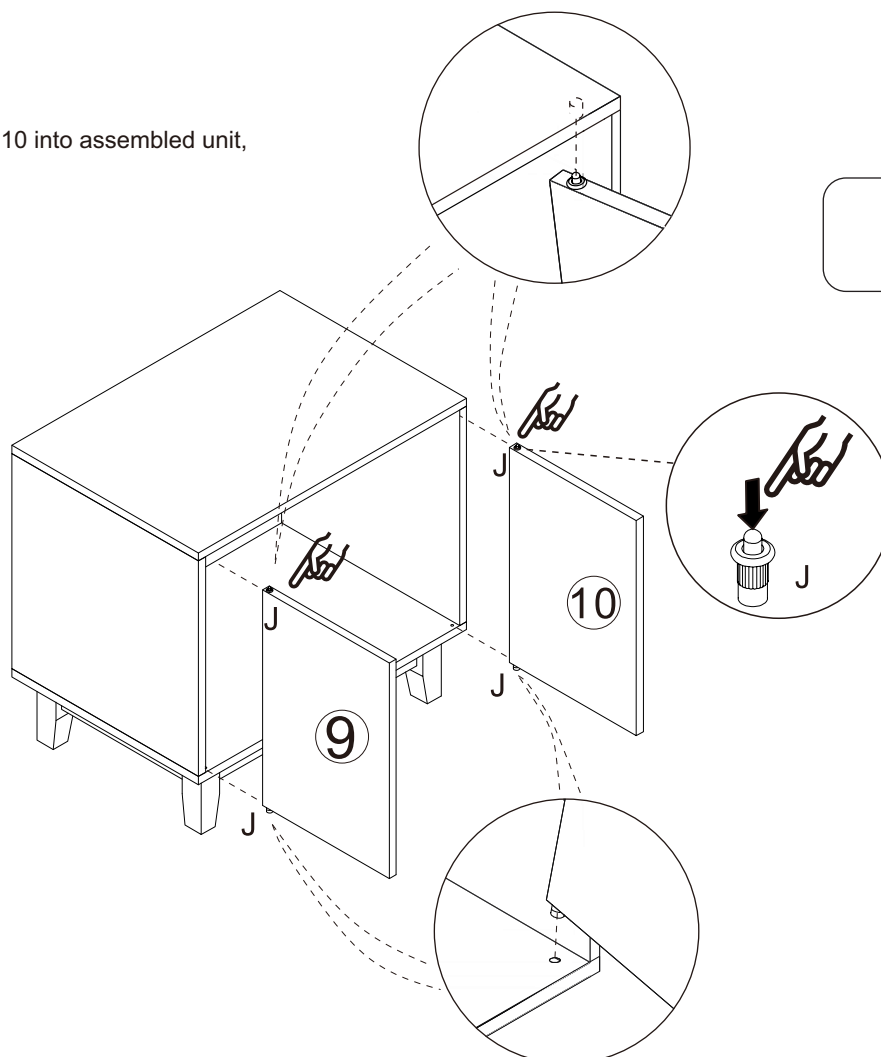
STEP 11.

Fix parts 13 to parts 11 and 12 using screws (H) and washers (I), as shown.



STEP 12.

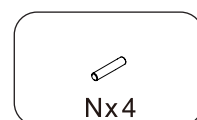
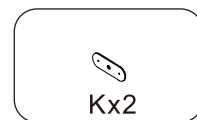
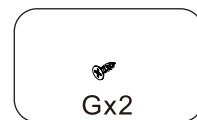
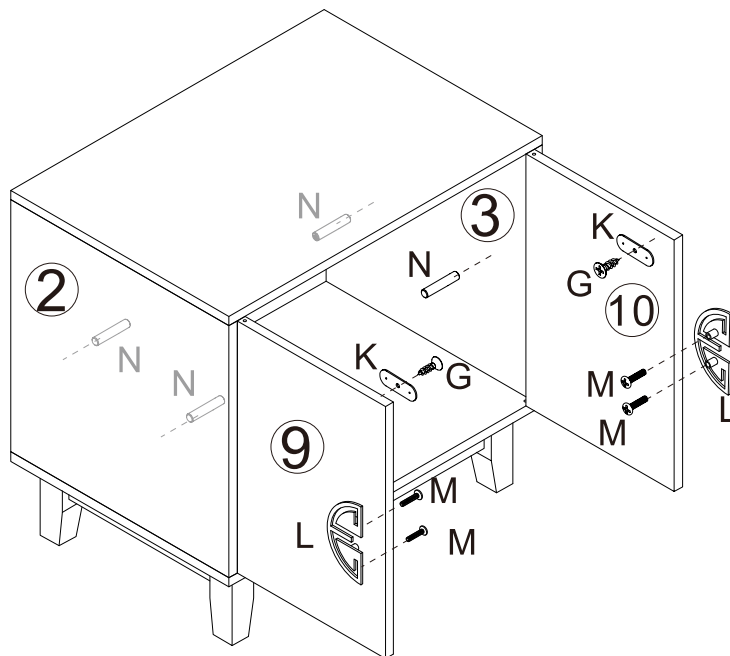
Press down (J) and fit doors 9 and 10 into assembled unit, as shown.



ASSEMBLY STEPS

STEP 13.

Fix handles (L) to doors 9 and 10 using screws (M).
Fix hardware (K) to doors 9 and 10 using screws (G), as shown.
Fit shelf supporters (N) to the inside of parts 2 and 3, as shown.



STEP 13.

Place part 5 on shelf supporters, as shown.

