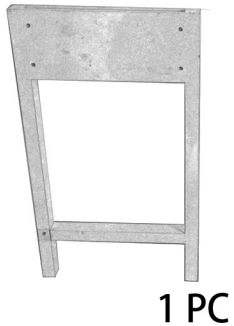


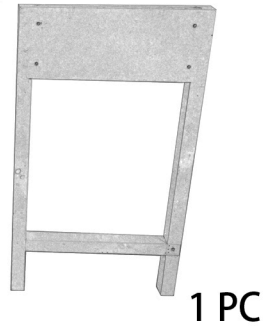
A



B



C



D



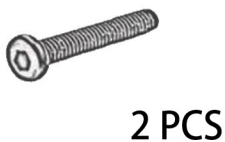
E



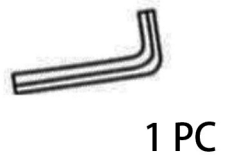
F



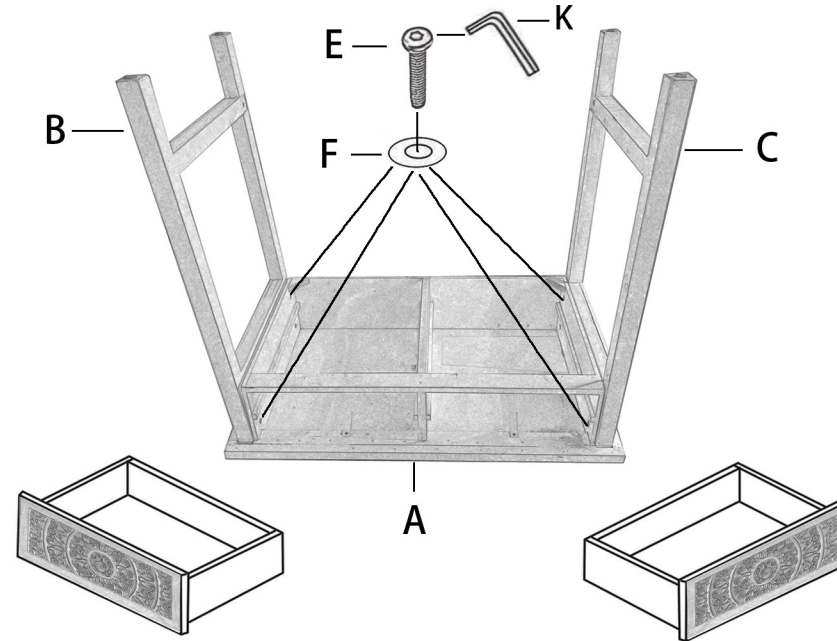
G



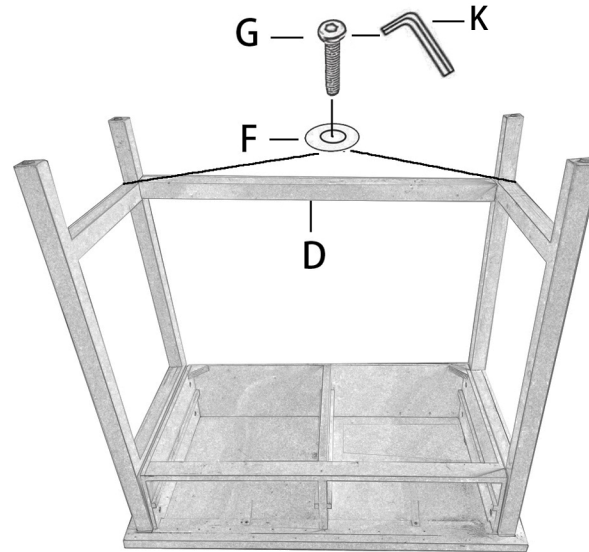
K



Assembly Manual



Step 1: Lay Part A with holes facing up on flat surface



Step 2: Part B and Part C screw to Part A using Parts E, Parts F and Part K.



Step 3: Part D screws to Part B and Part C using Parts G and Part K.