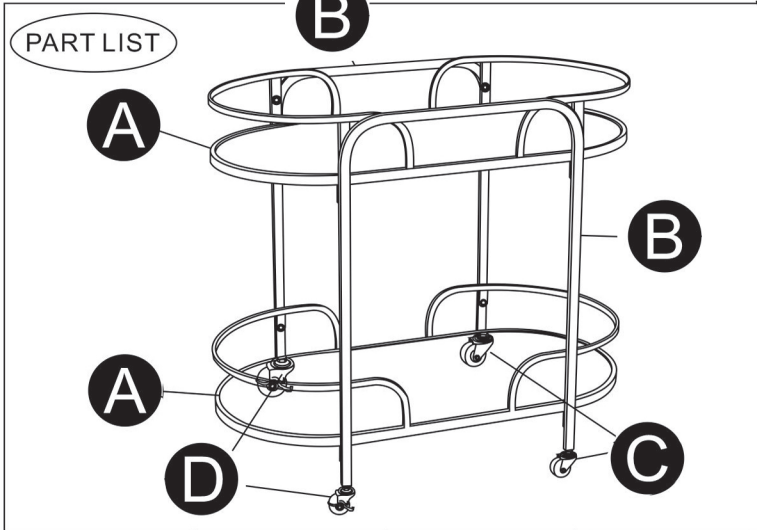
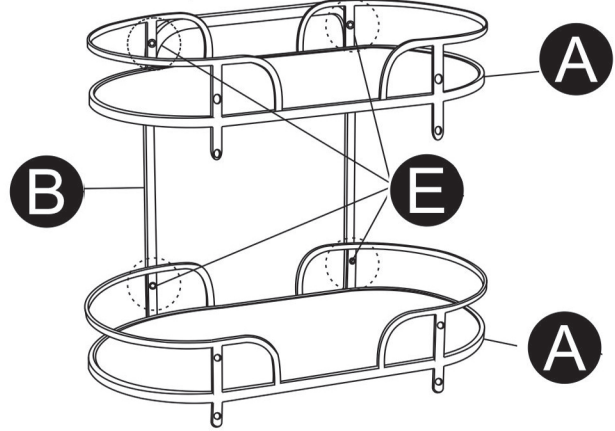
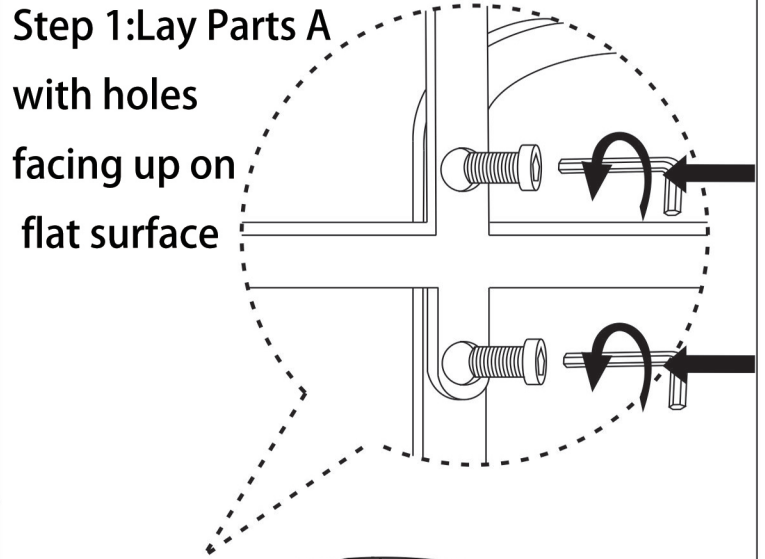


# Assembly Manual



<b>A</b> 2PCS	<b>B</b> 2PCS	<b>C</b> 2PCS	<b>D</b> 2PCS
<b>E</b> 16PCS	<b>F</b> 1PC		



**Step 2: Parts B screw to Parts A using Parts E and Part F**

