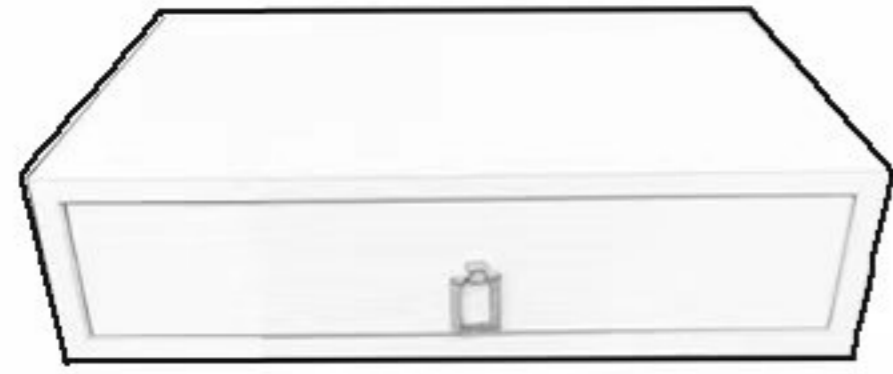
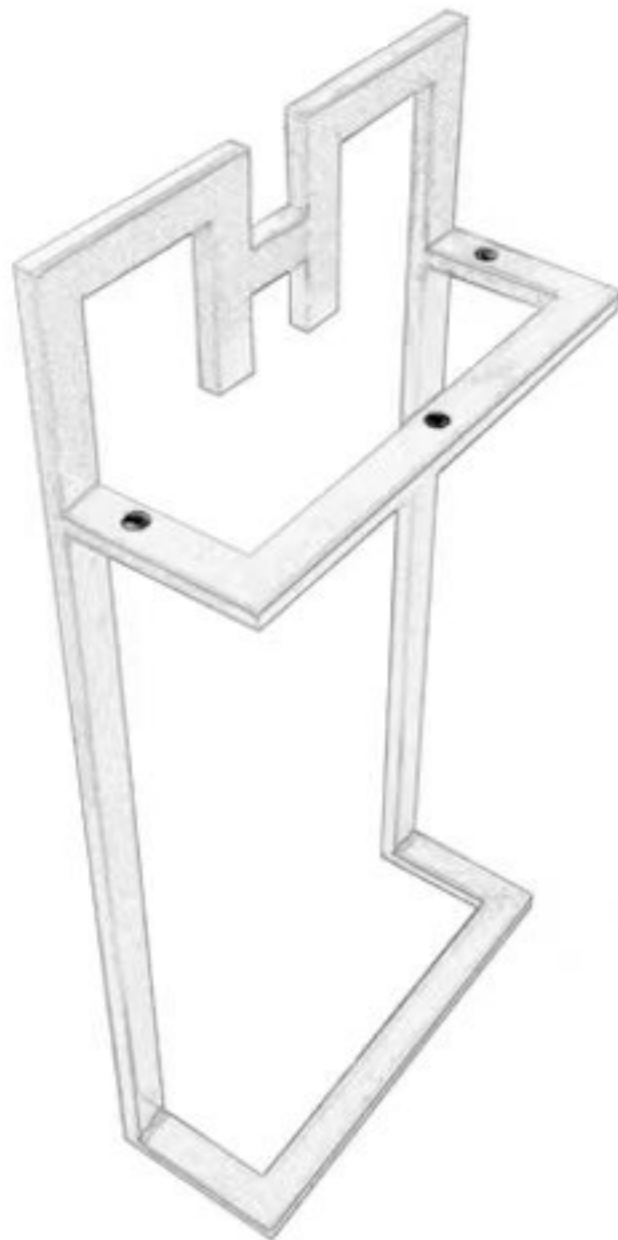


A



1PC

B



2PCS

C



6 PCS

D



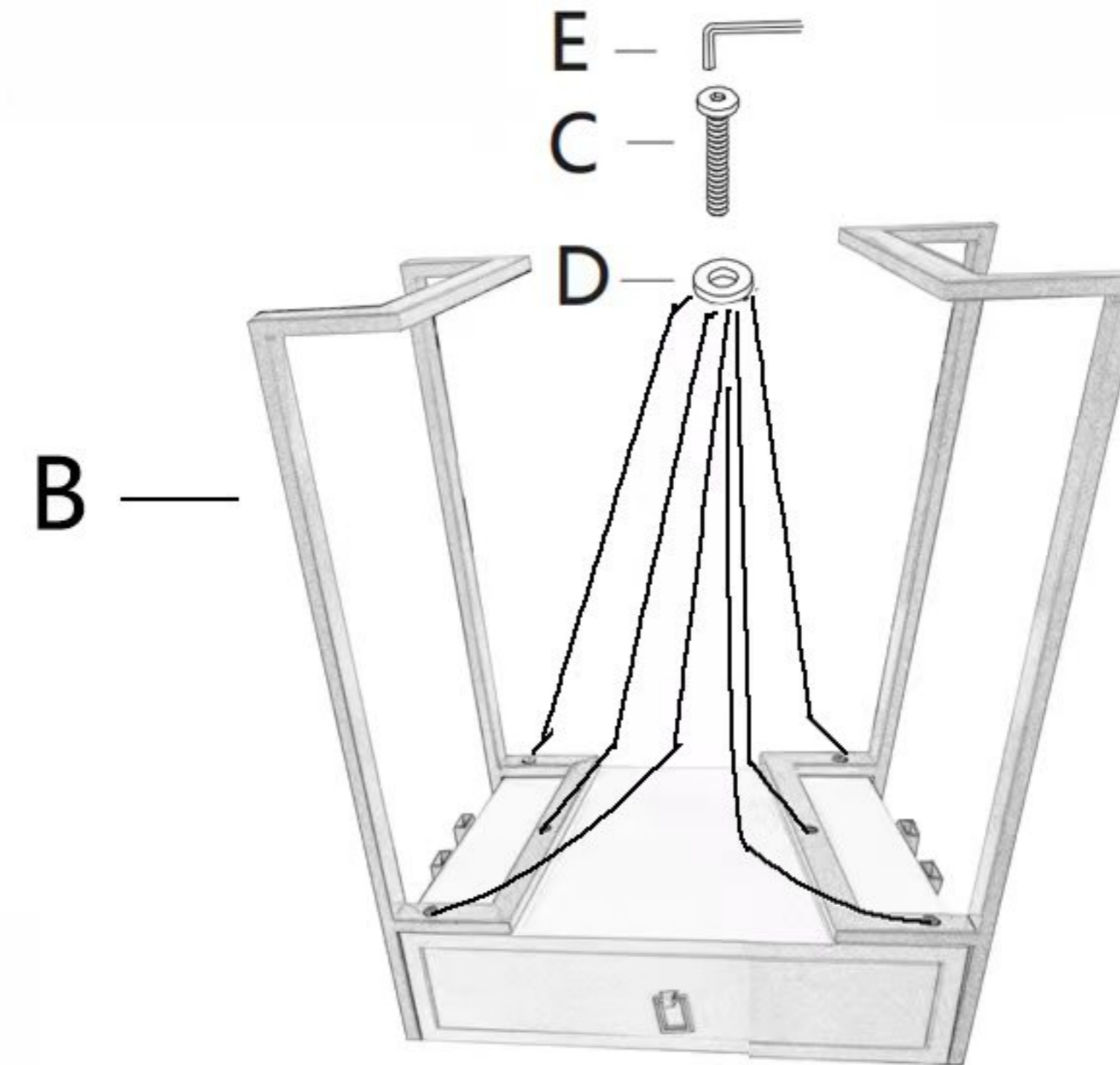
6 PCS

E



1PC

### Assembly Manual



step 1: Lay Part A with holes facing up on flat surface



step 2: Parts B screw to Part A using Parts C, Parts D and Part E