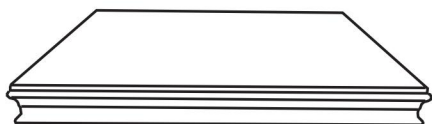


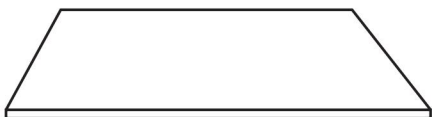
Assembly Manual

A



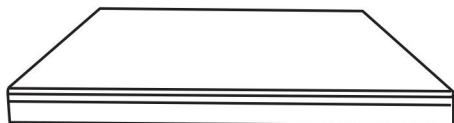
1PC

B



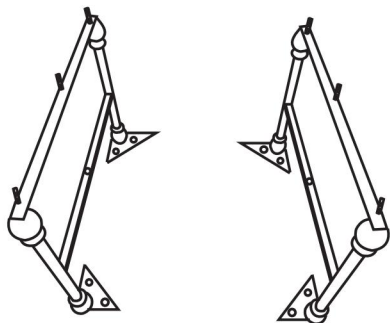
1PC

C



1PC

D



2PCS

E



10PCS

F



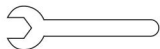
6PCS

G



16PCS

K



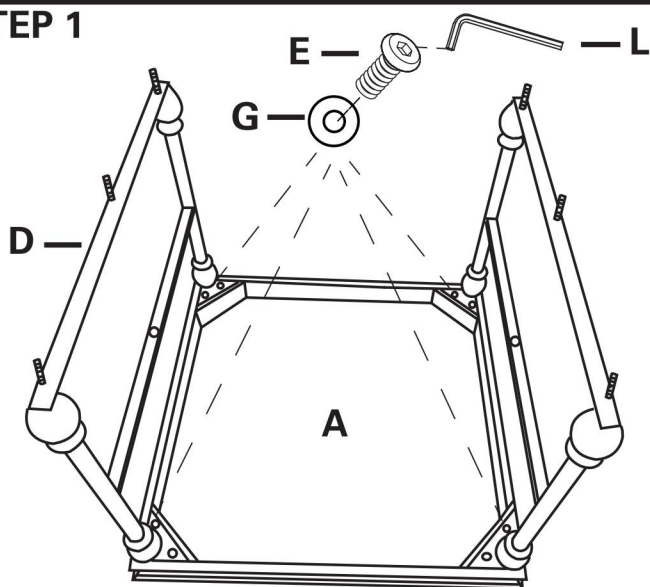
1PC

L



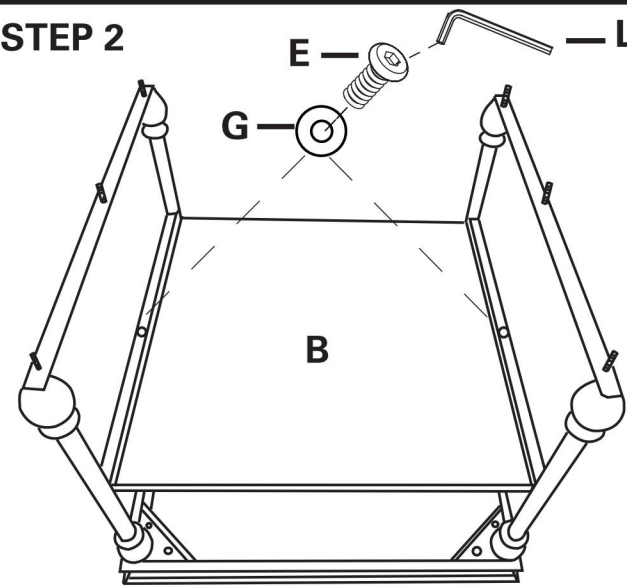
1PC

STEP 1



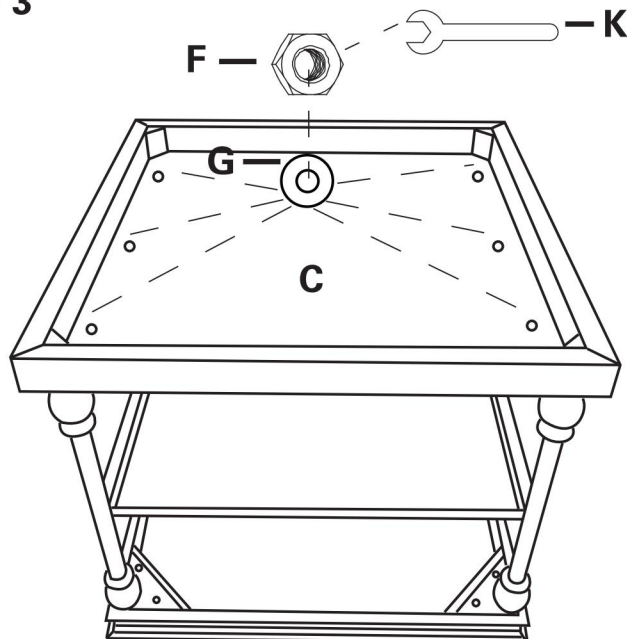
Step 1: Lay Part A with holes facing up on flat surface

STEP 2



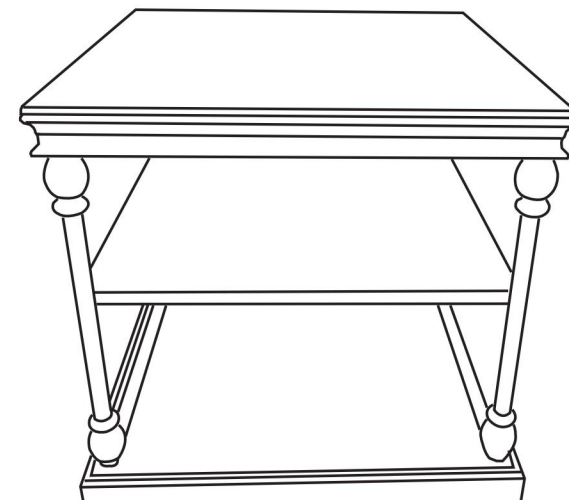
Step 2: Parts D screw to Part A using Parts E, Parts G and Part L

STEP 3



Step 3: Part B screw to Parts D using Parts E, Parts G and Part L

STEP 4



Step 4: Part C screw to Parts D using Part F, Parts G and Part K