

# ASSEMBLY INSTRUCTION

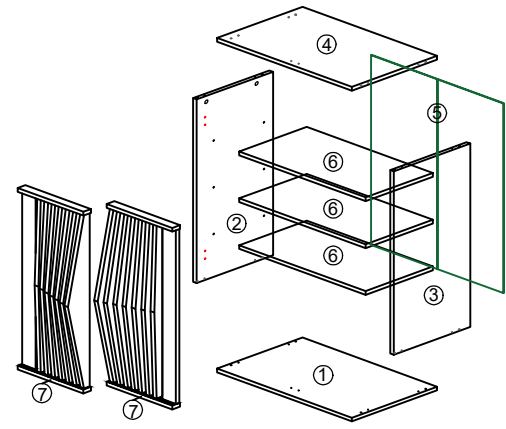
MODEL : GIZA 2312

DESC : 2 DOOR SHOES CABINET

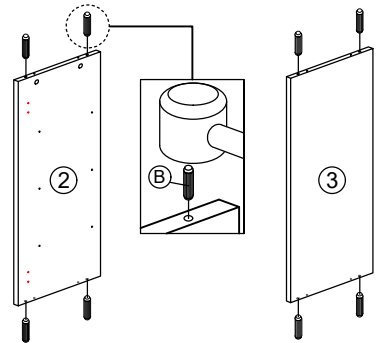
HARDWARE

<b>A</b> A1 MINIFIX 5654+5546 4 SETS	A2 MINIFIX CAP 4 SETS	<b>A5</b> ALLEN KEY 1	<b>B</b> WOOD DOWEL 8 X 25 8	<b>C</b> CB SCREW M4X45MM 4	<b>D</b> CB SCREW M3.5X16MM 32	<b>E</b> 2 PIN STOPPER 2	<b>F</b> SHELF SUPPORT 12	<b>G</b> NAIL 5/8 30	<b>H</b> HINGES 5/8 4	<b>L</b> 160 MM TAPER PVC Leg 4
---	-----------------------------	-----------------------------	------------------------------------	-----------------------------------	--------------------------------------	--------------------------------	---------------------------------	----------------------------	-----------------------------	---------------------------------------

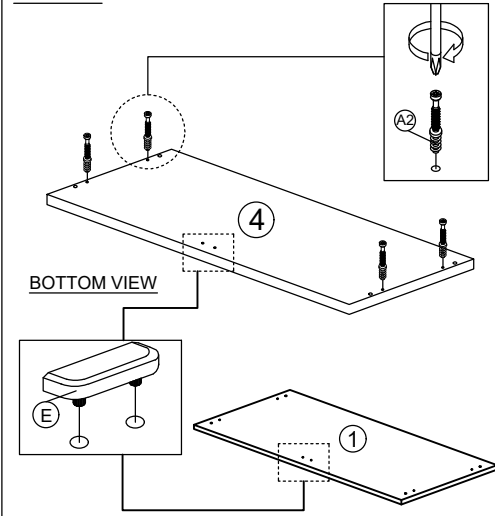
## PART LIST



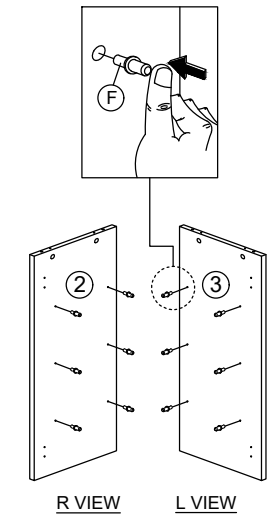
## STEP 1



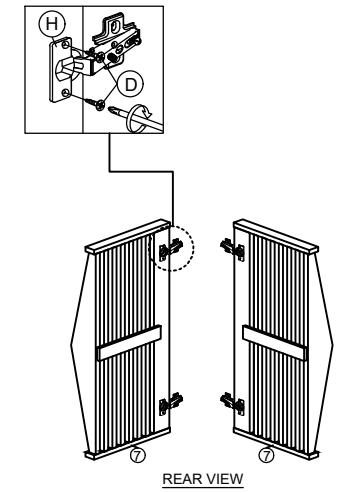
## STEP 2



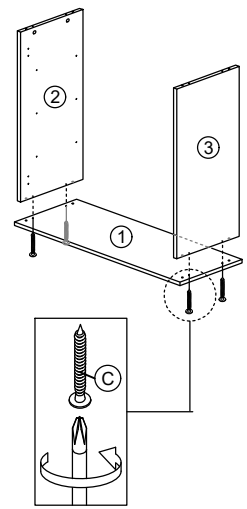
## STEP 3



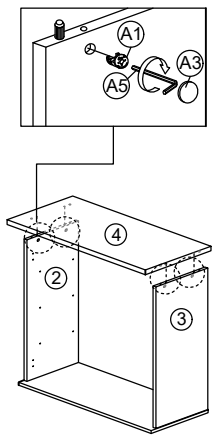
## STEP 4



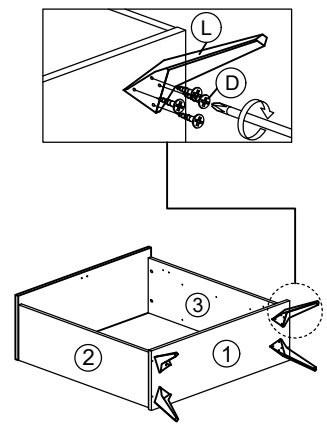
## STEP 5



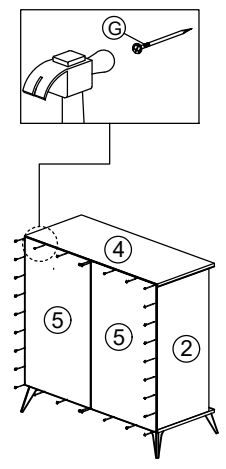
## STEP 6



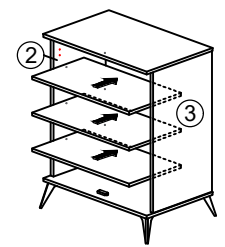
## STEP 7



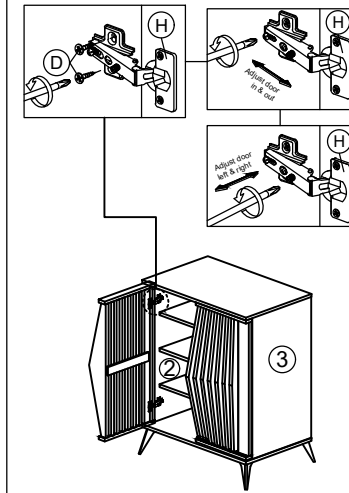
## STEP 8



## STEP 9



## STEP 10



## COMPLETED

