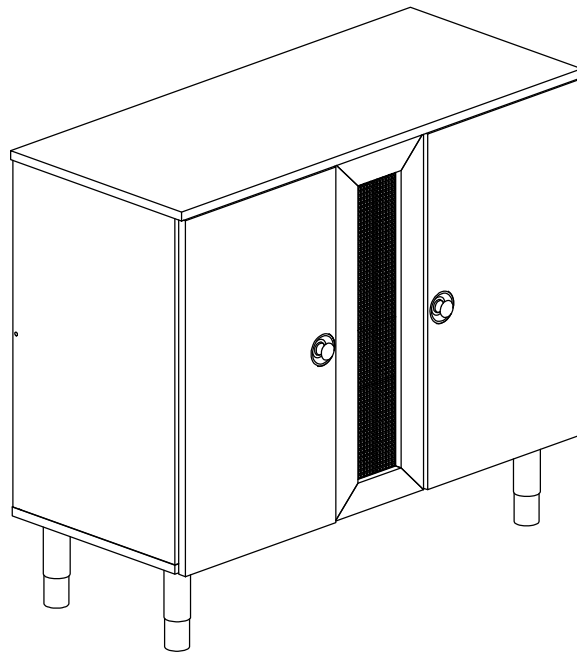
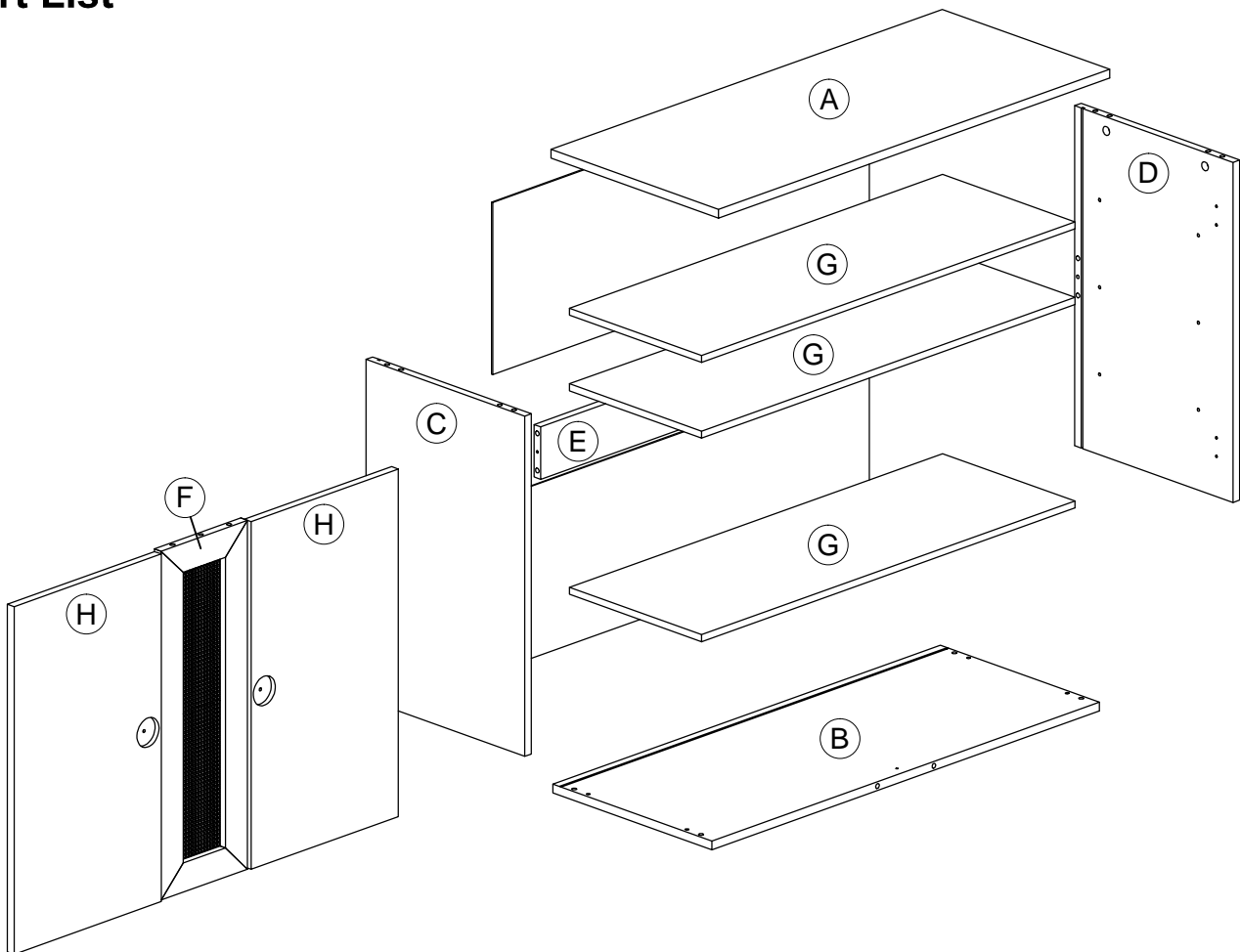


# Assembly Instruction



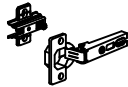
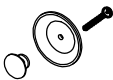



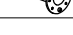
## Part List



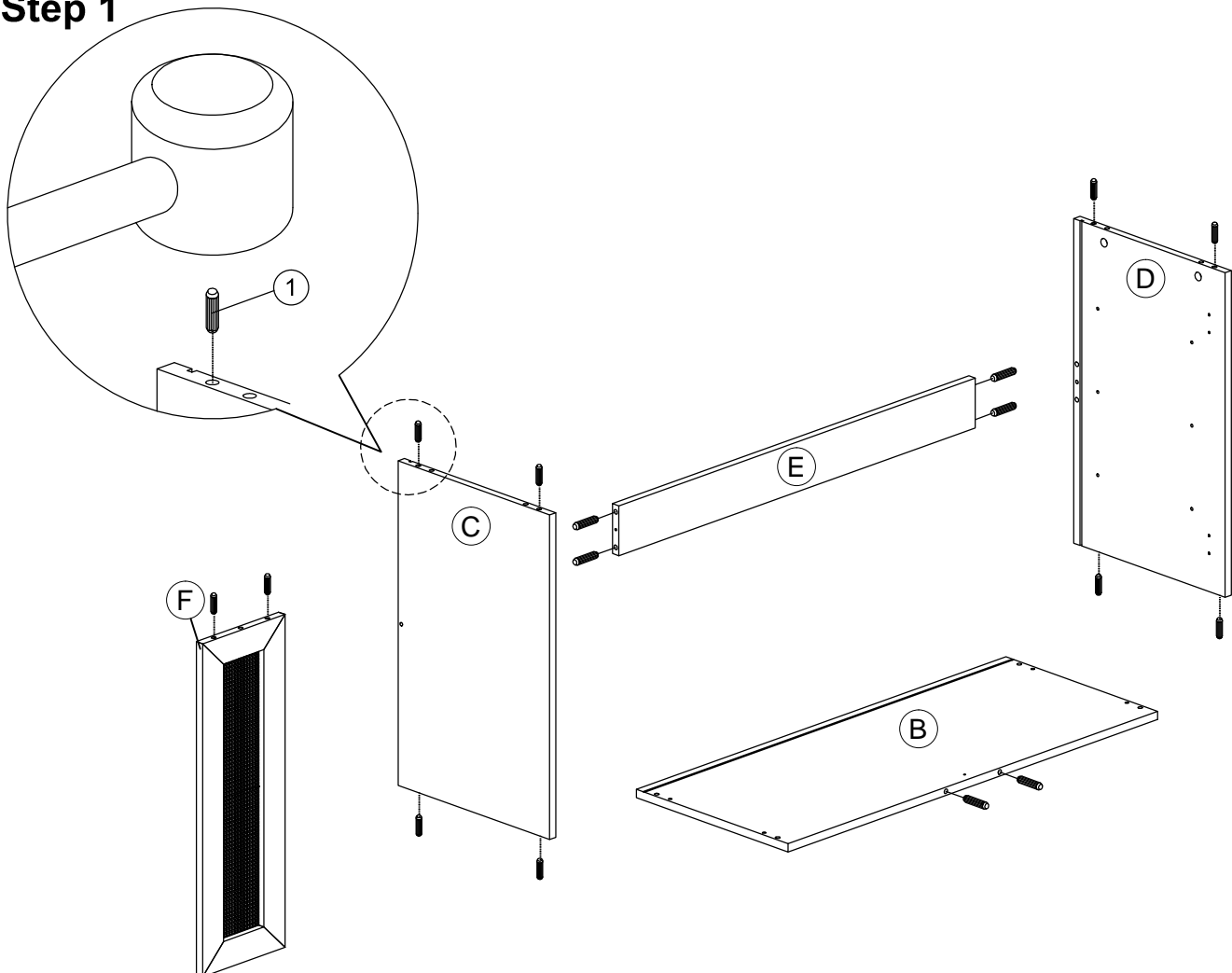
# Assembly Instruction

## Hardware List

No.	SHAPE	DESCRIPTION	Qty.
1		8x25mm Wood Dowel	16 Pcs
2		15MM Myfix Minifix	5 Sets
3		TP 10#x1/2" Screw	16 Pcs
4		M3x16mm Screw	8 Pcs
5		M3.5x15mm Screw	18 Pcs
6		M5x40mm Screw	6 Pcs
7		L Bracket	1 Pc
8		Z Bracket (Big)	4 Pcs
9		Screw Cap	2 Pcs
10		Minifix Cap	4 Pcs

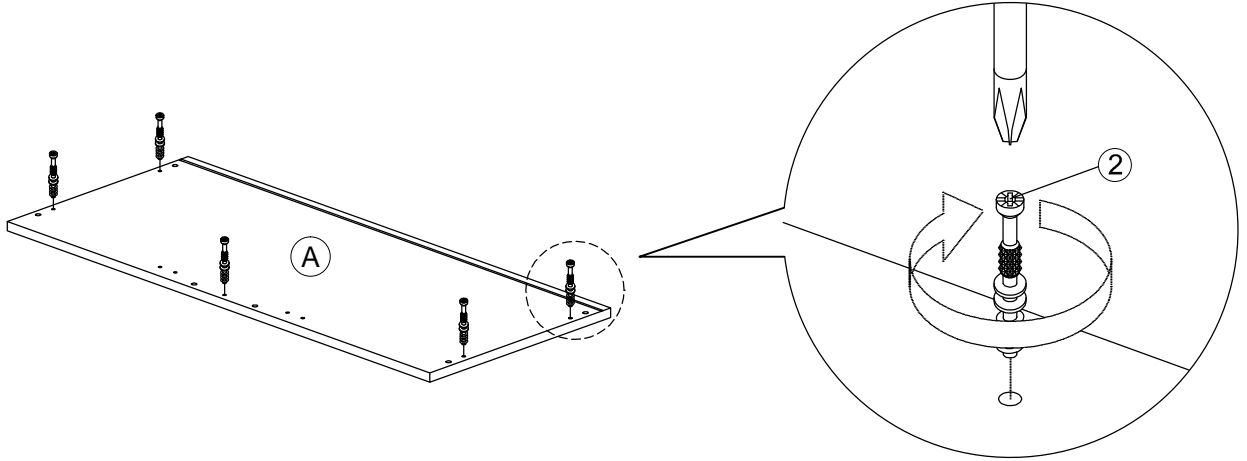
11		Hinges (F011)	4 Sets
12		Handle OS-9200 & 9201	2Sets
13		M3.6x18mm Screw	
13		Shelf Support	12 Pcs
14		2 Pin Stopper	2 Pcs
15		OS -2018 LEG -BLACK	4 Pcs

## Step 1

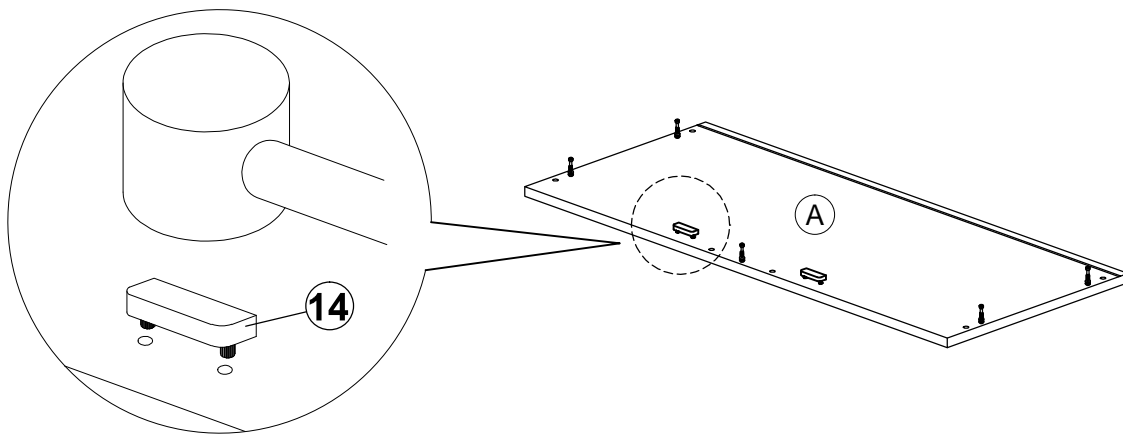


# Assembly Instruction

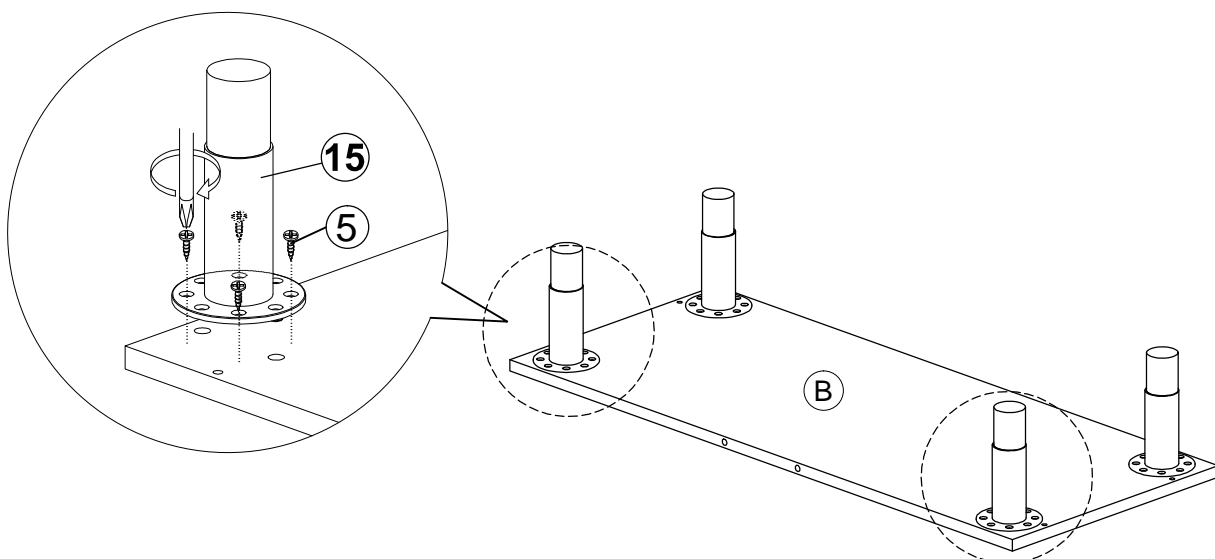
## Step 2



## Step 3

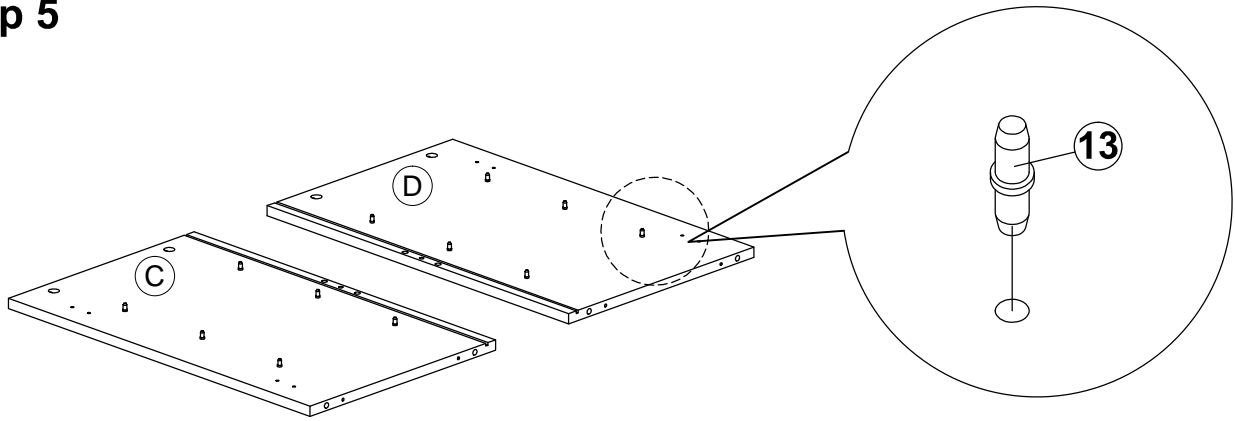


## Step 4

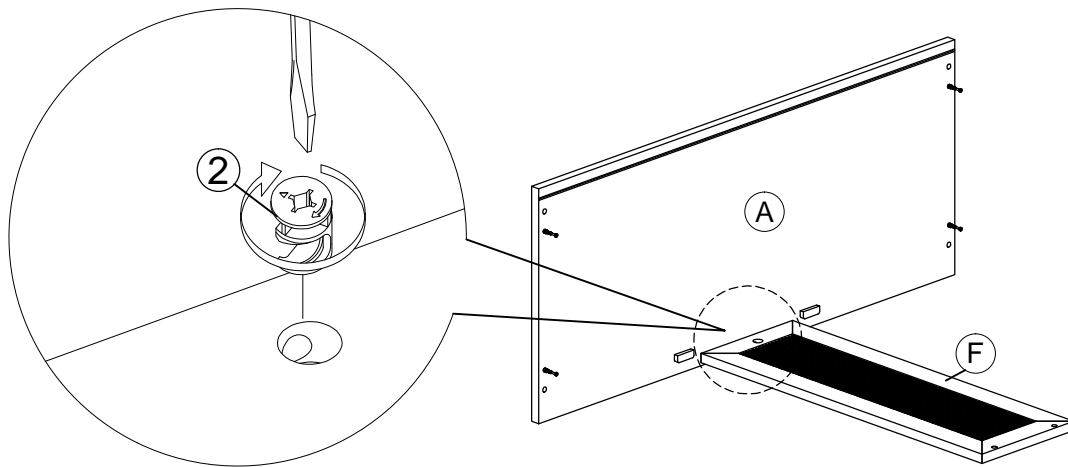


# Assembly Instruction

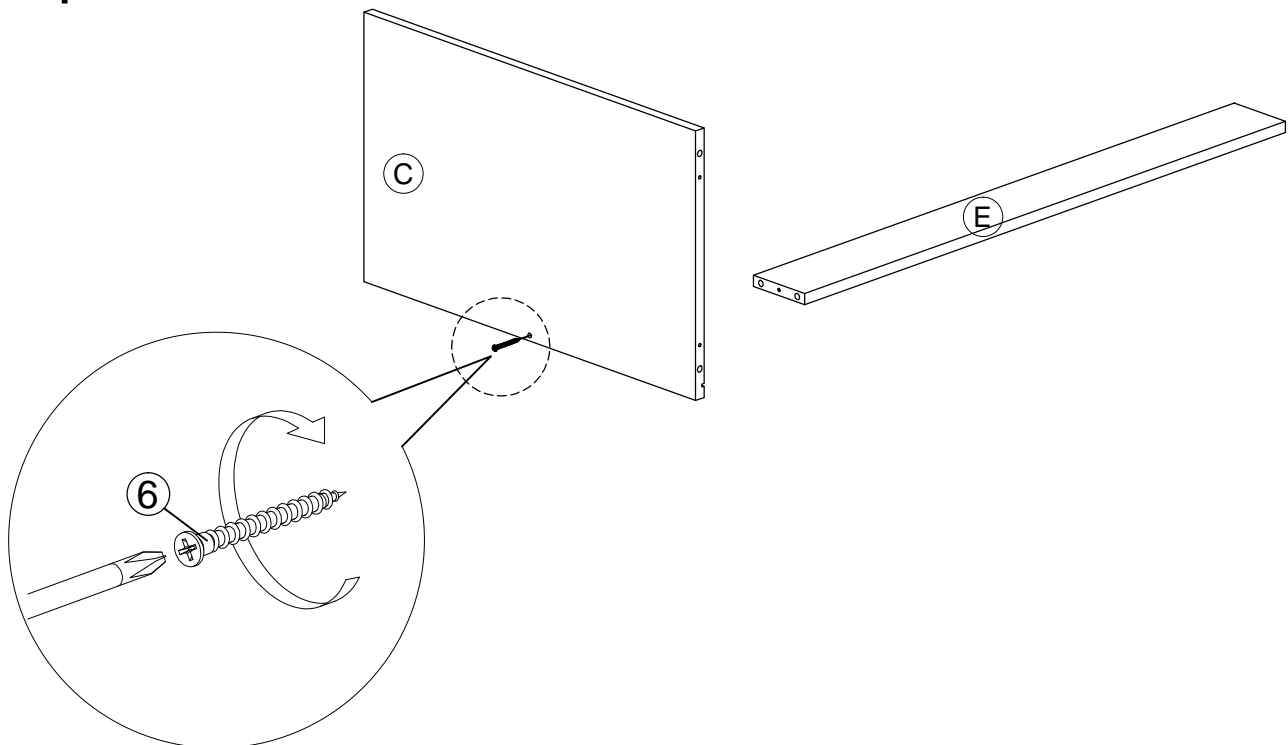
## Step 5



## Step 6

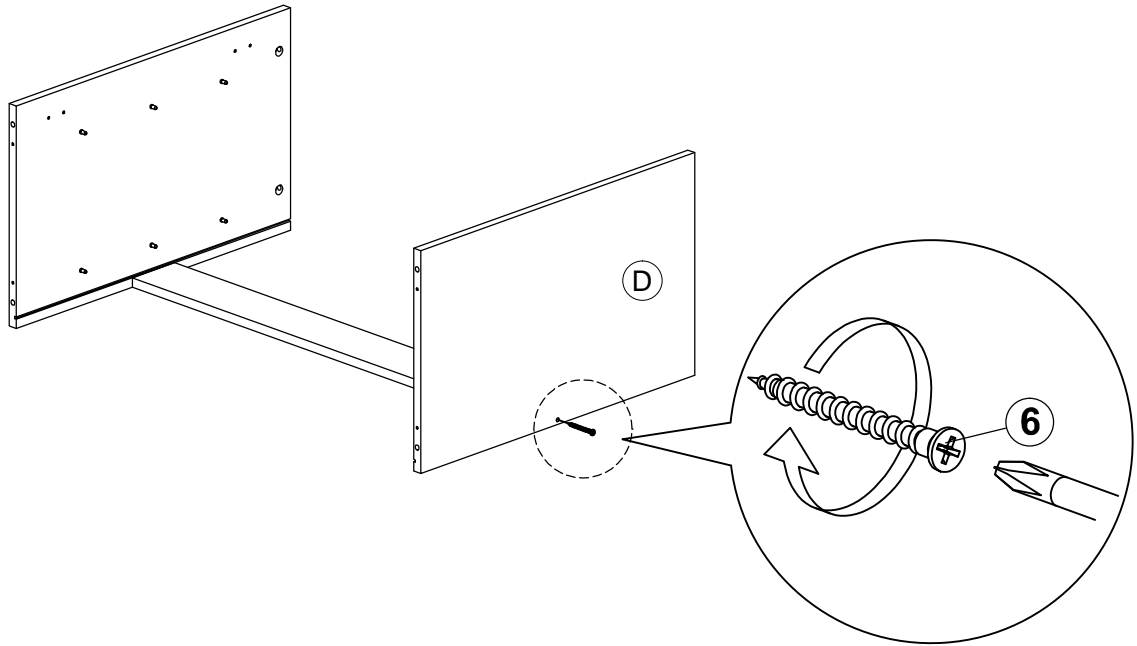


## Step 7

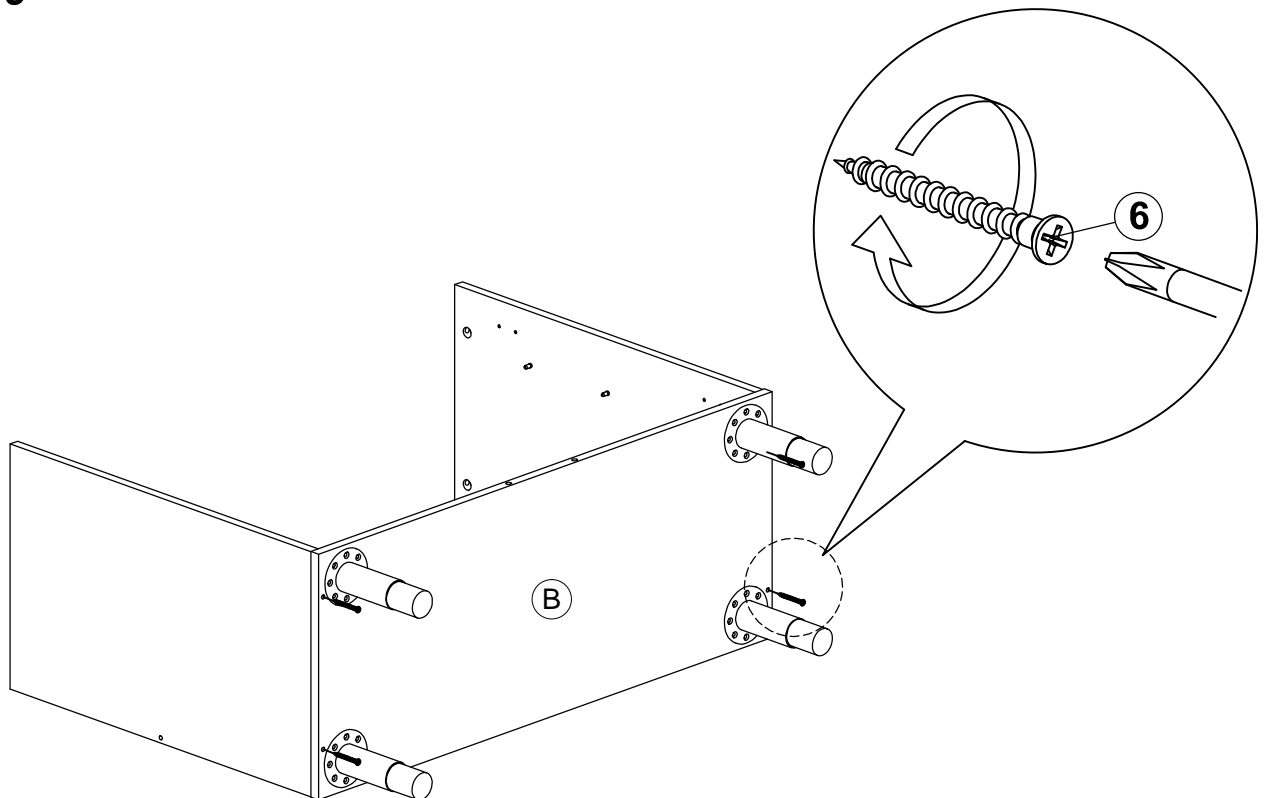


# Assembly Instruction

## Step 8

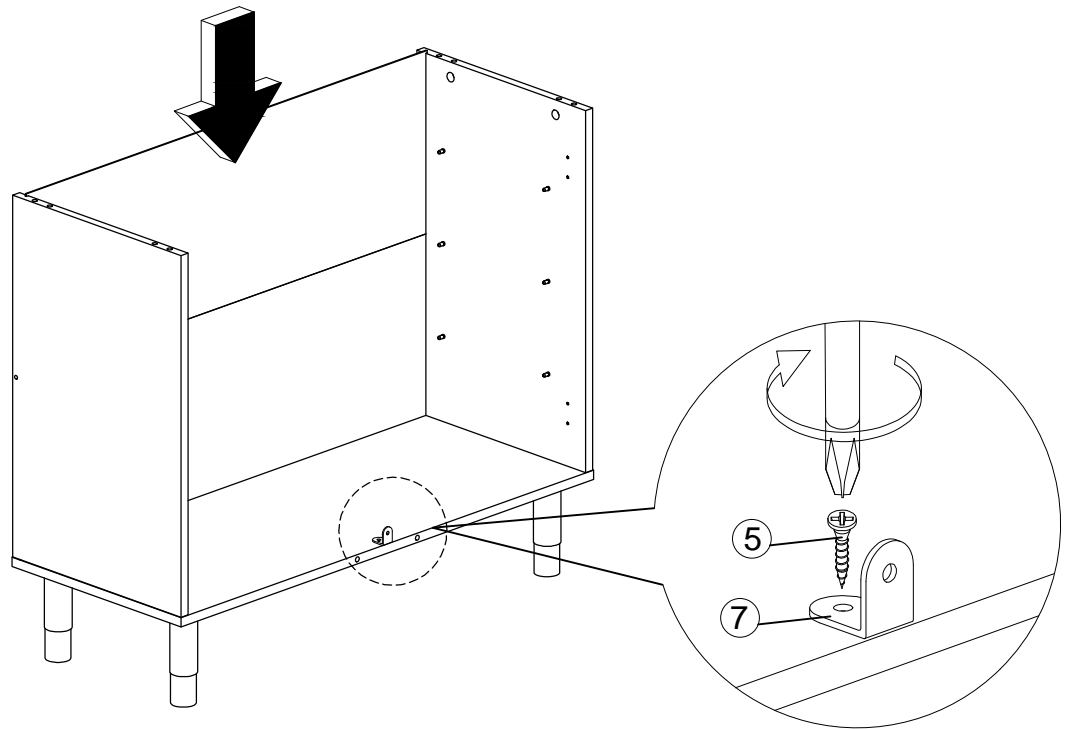


## Step 9

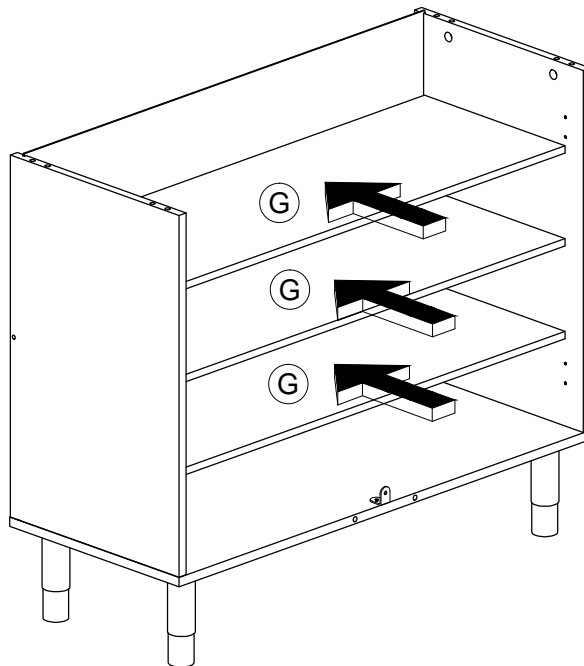


# Assembly Instruction

## Step 10

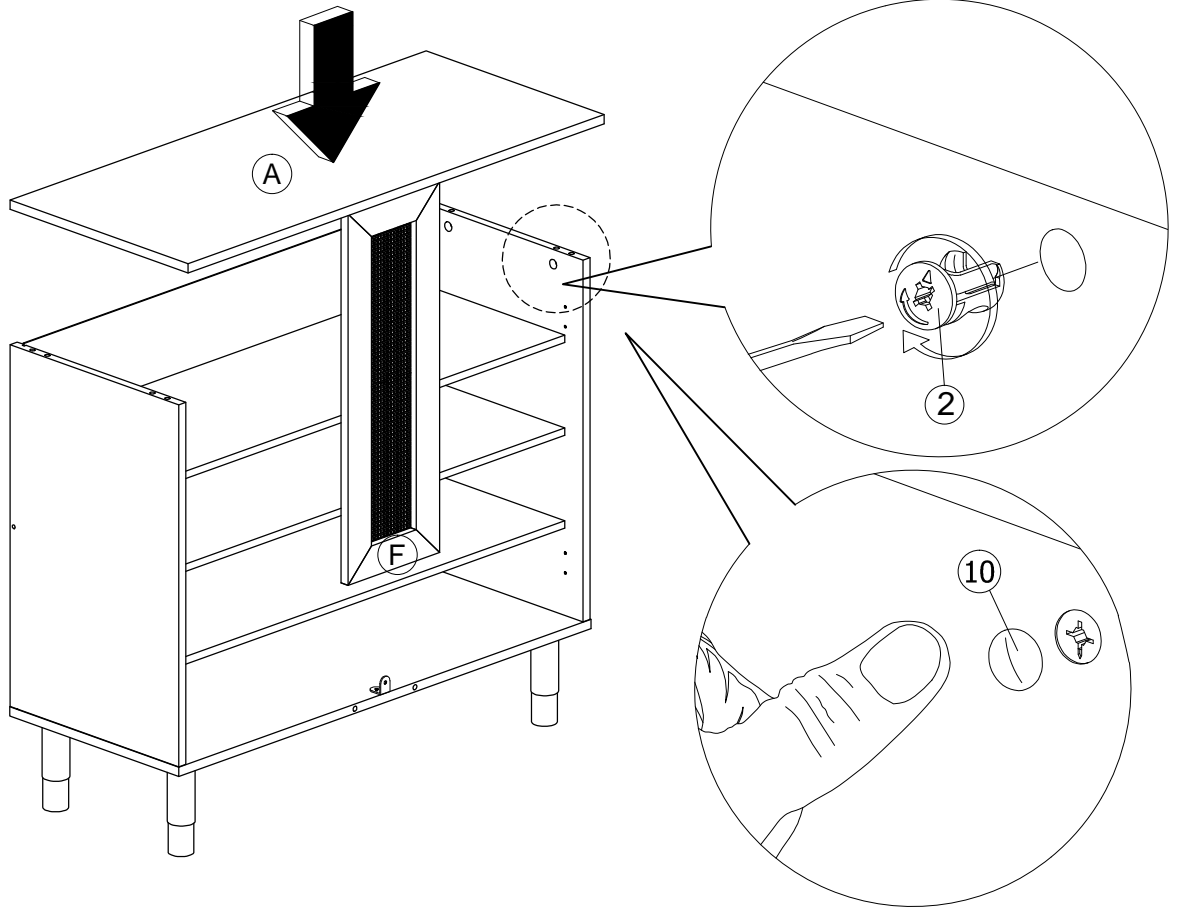


## Step 11

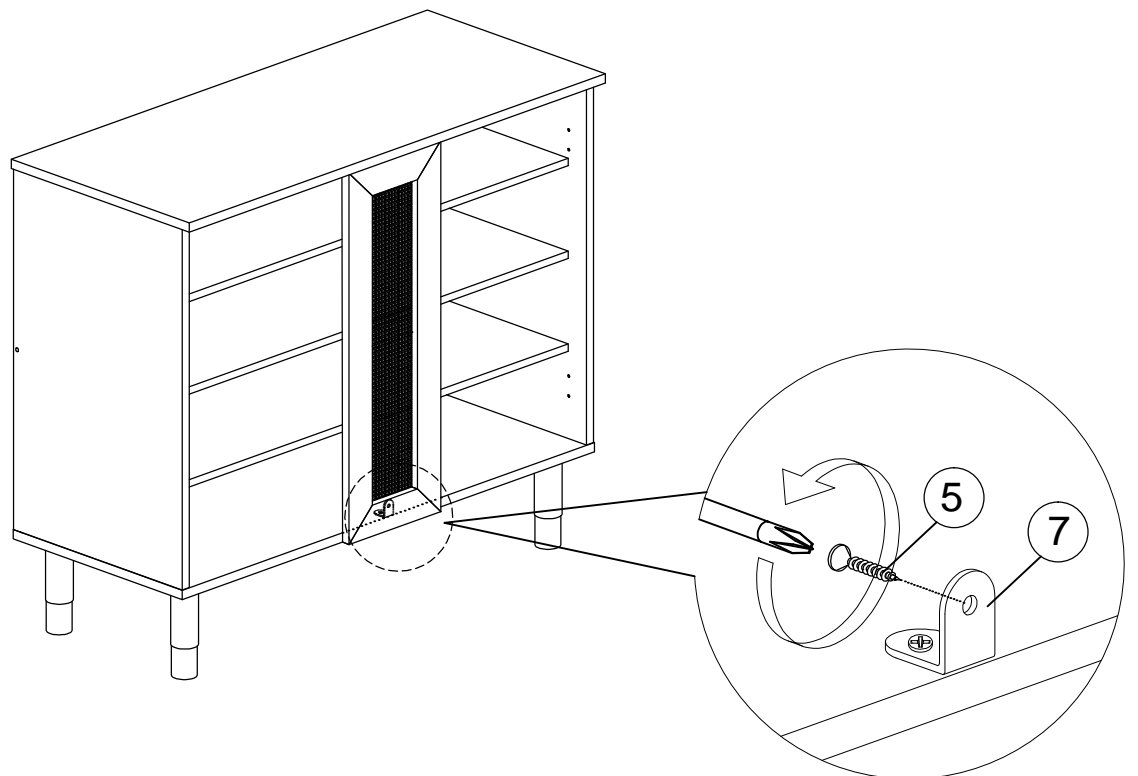


# Assembly Instruction

## Step 12

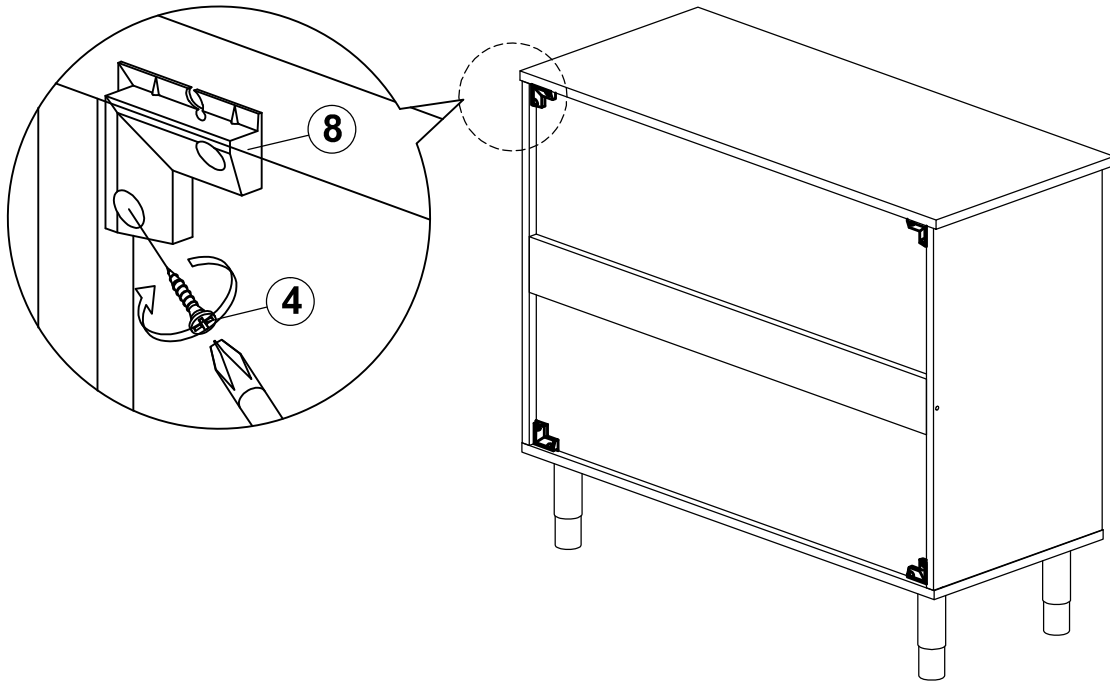


## Step 13

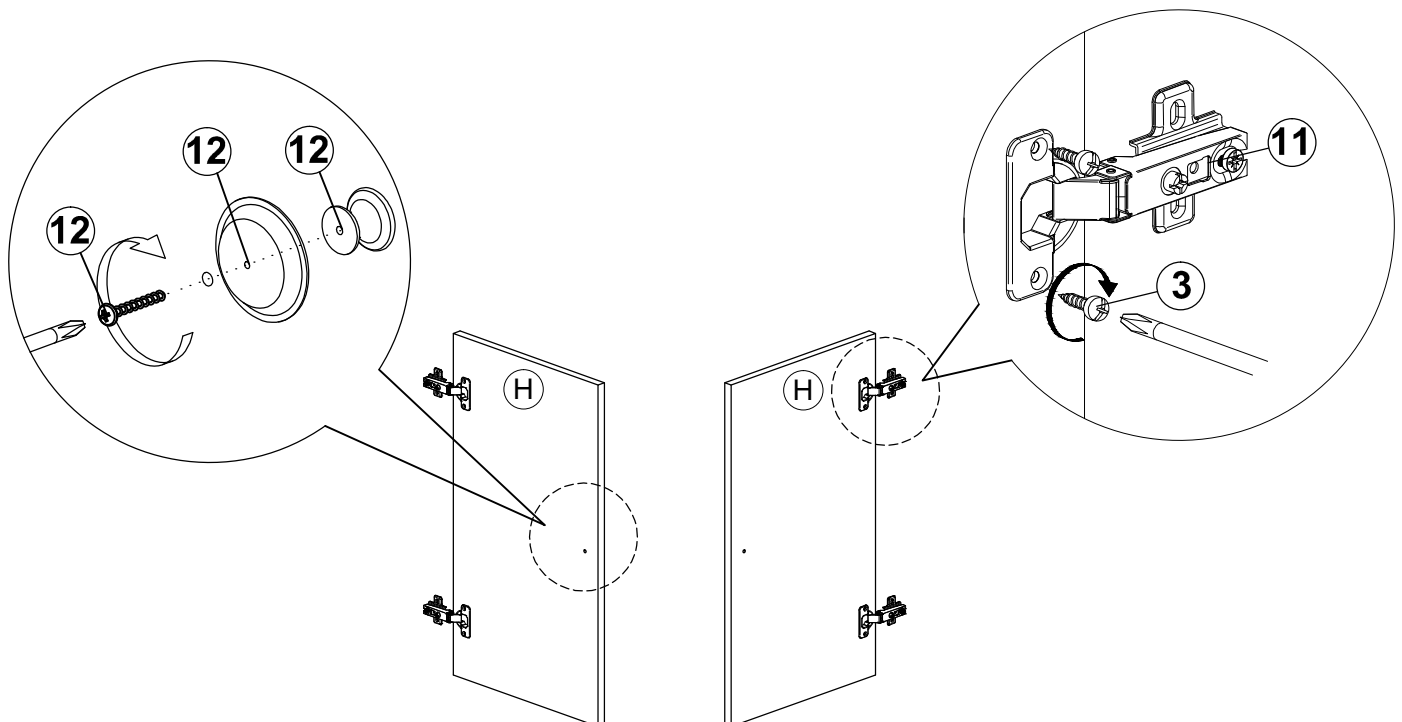


# Assembly Instruction

## Step 14



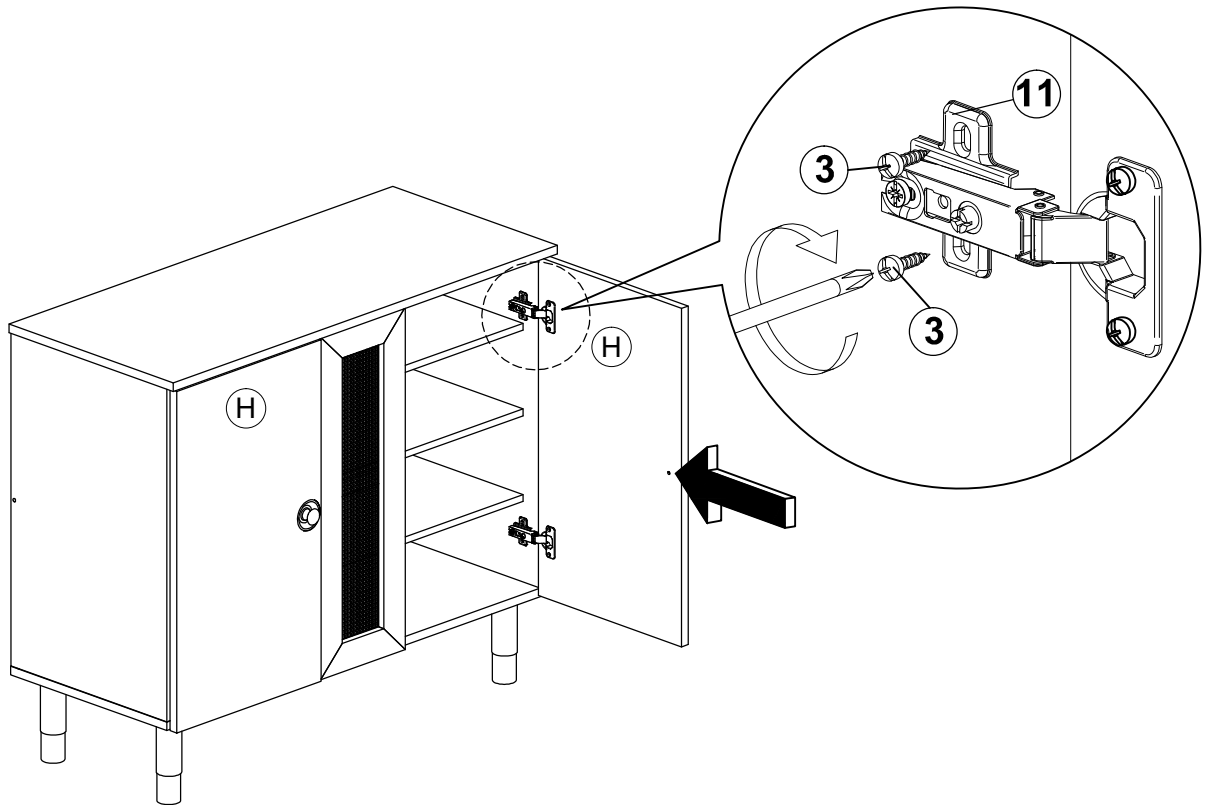
## Step 15





# Assembly Instruction

## Step 16



## Step 17

