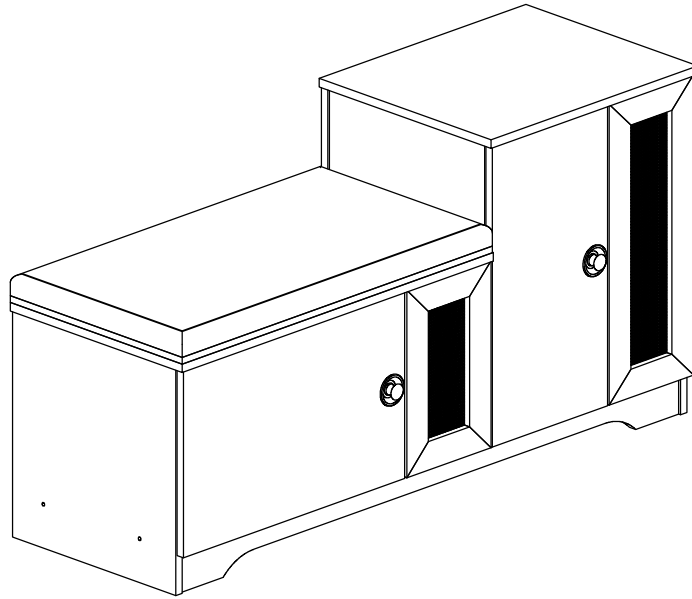
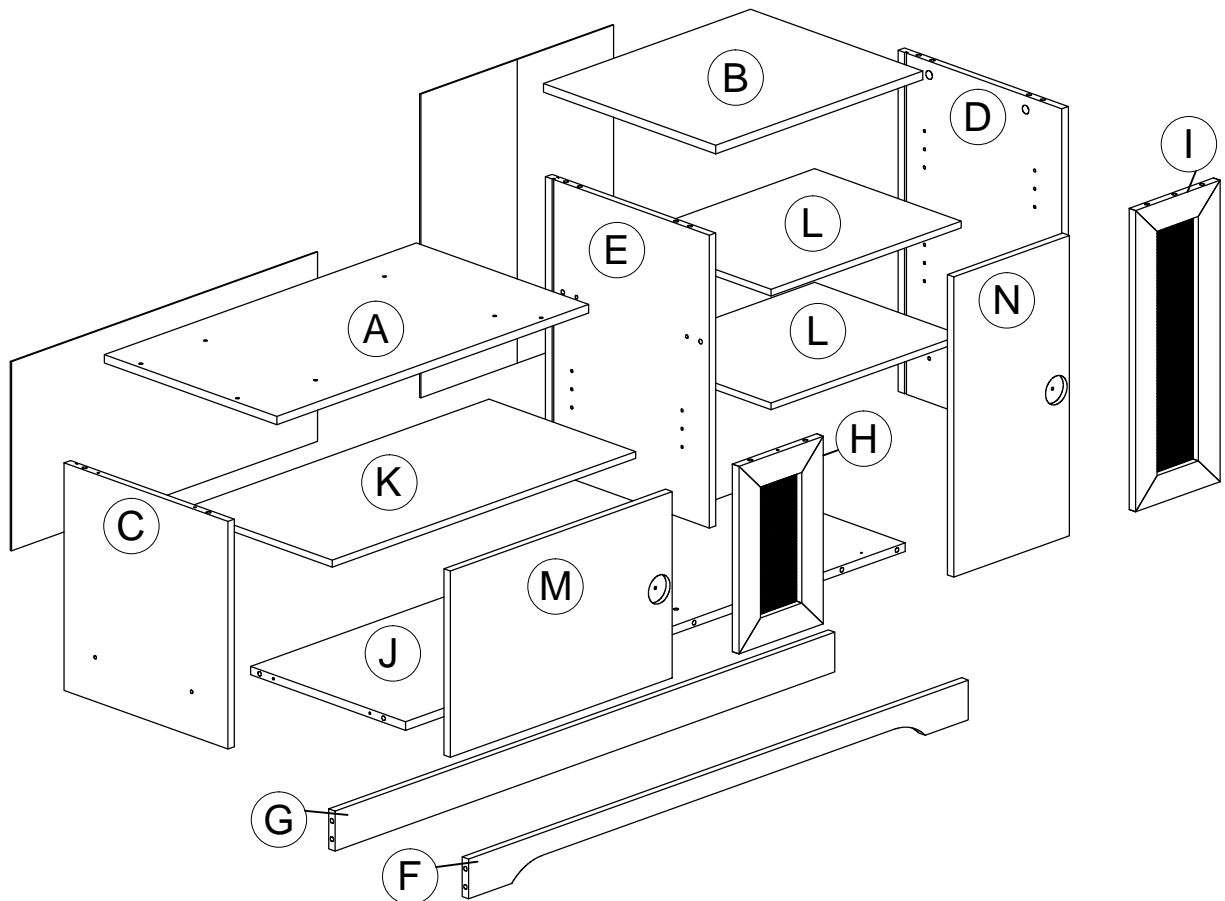


# Assembly Instruction



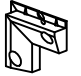




## Part List



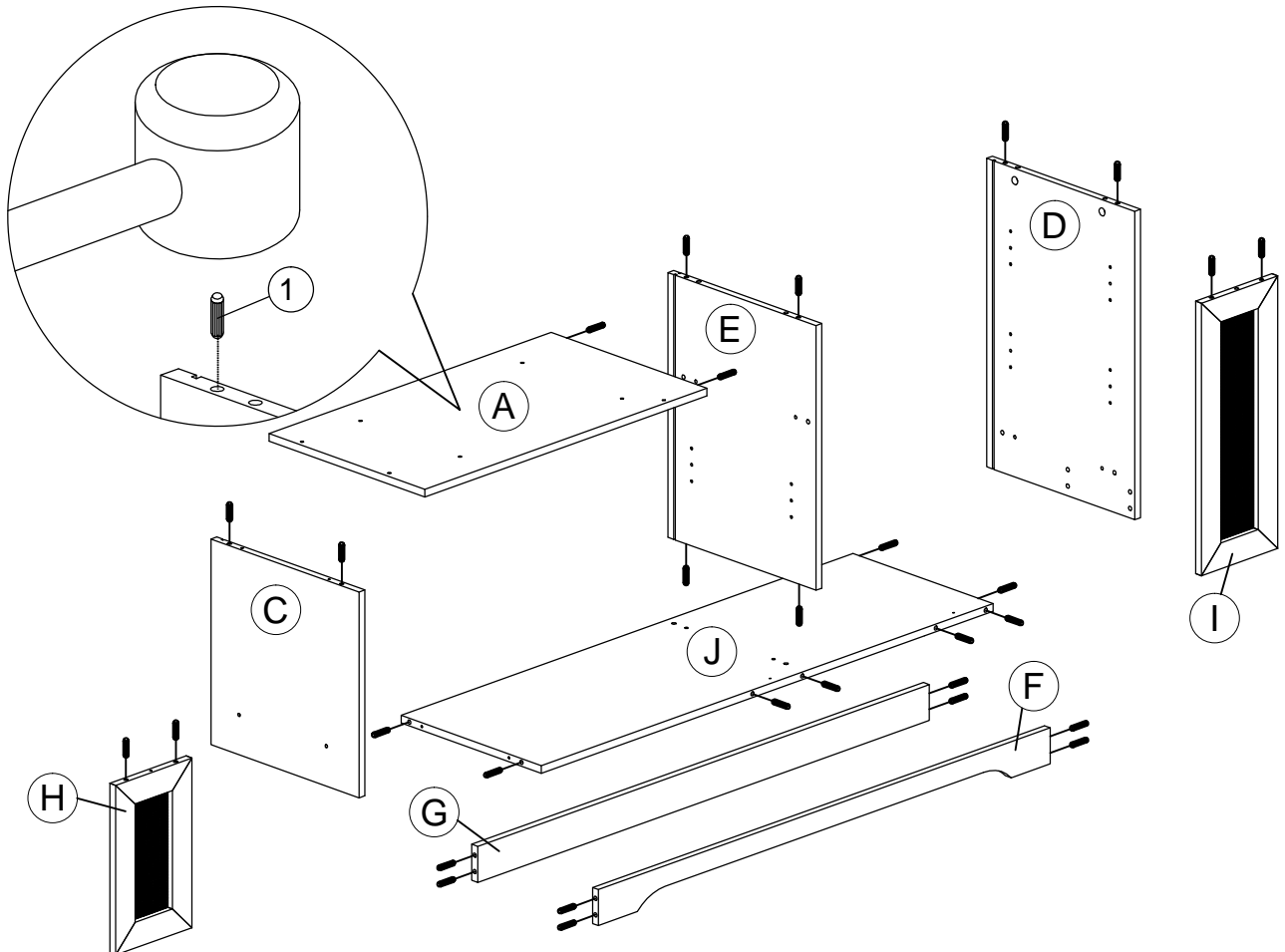
# Assembly Instruction

## Hardware List

No.	SHAPE	DESCRIPTION	Qty.
1		8x25mm Wood Dowel	30 Pcs
2		15MM Myfix Minifix	5 Sets
3		M3x16mm Screw	8 Pcs
4		M3.5x15mm Screw	16 Pcs
5		M4x25mm Screw	4 Pcs
6		M5x40mm Screw	11 Pcs
7		L Bracket	8 Pcs
8		Nail	11 Pcs
9		Nail Leg	5 Pcs
10		Handle OS-9200 & 9201 M3.6x22mm Screw	2 Sets
11		Shelf Support	12 Pcs

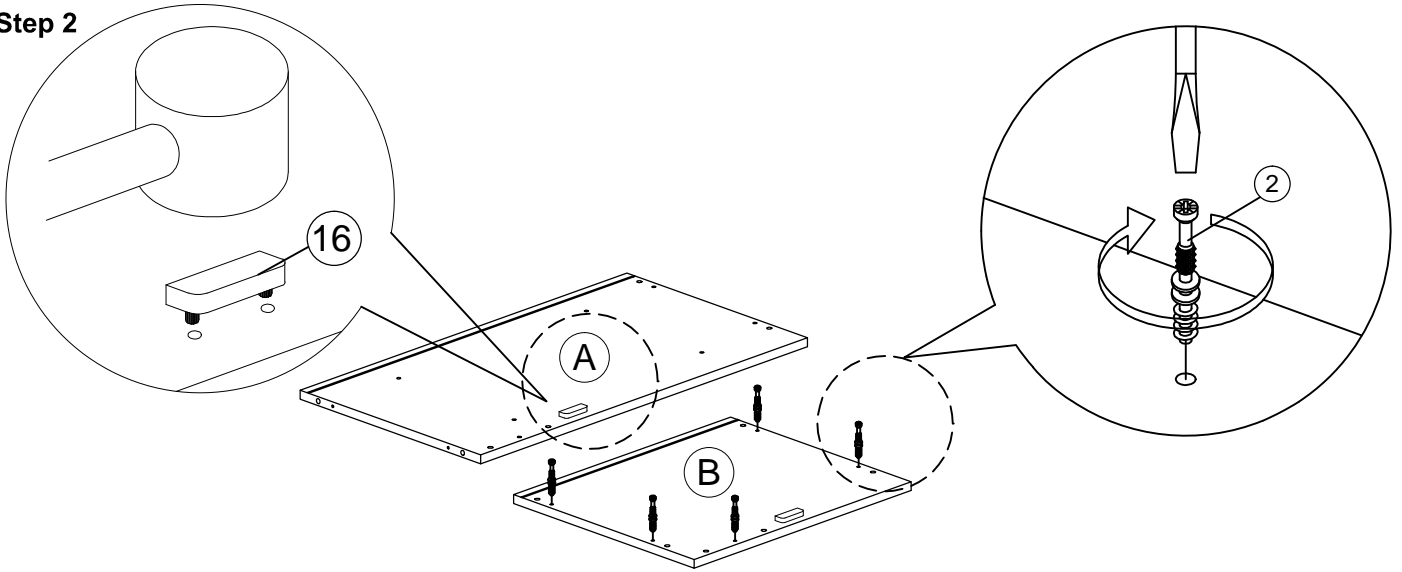
12		Z Bracket (Big)	4 Pcs
13		Screw Cap	4 Pcs
14		Hinges (F012)	4 Sets
15		TP 10#x1/2" Screw	16 Pcs
16		2 Pin Stopper	2 Pcs

### Step 1

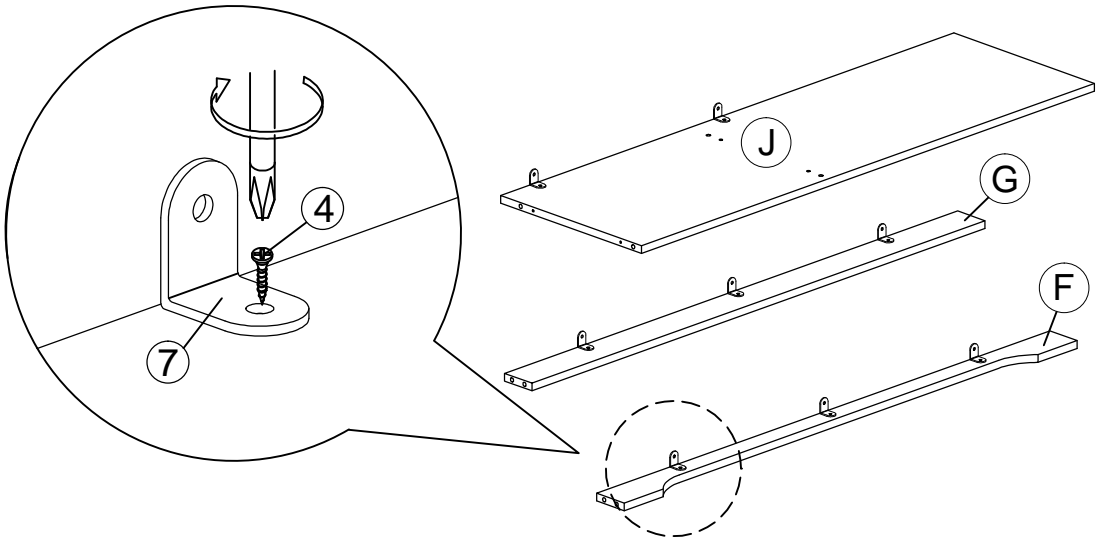


# Assembly Instruction

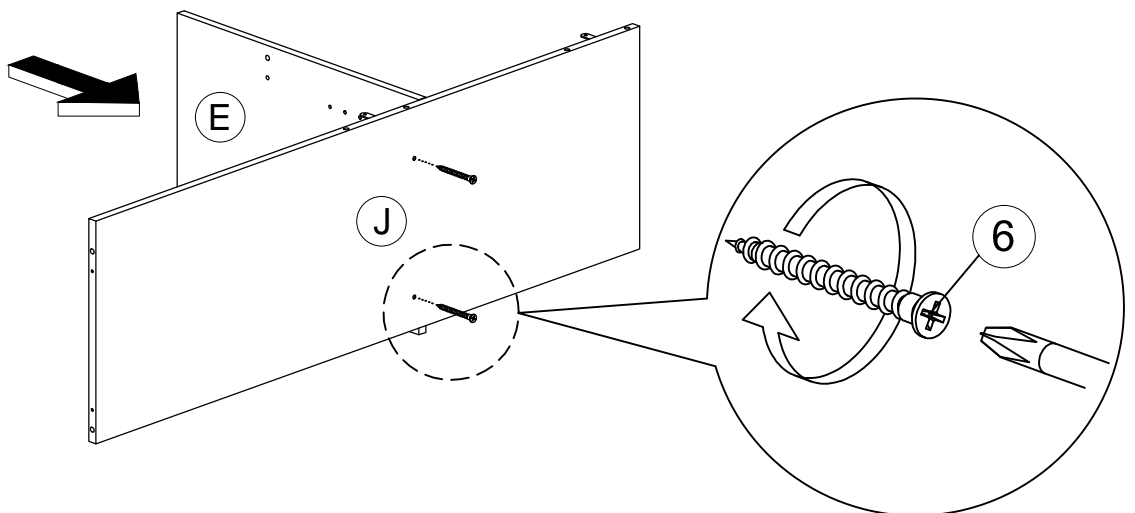
## Step 2



## Step 3

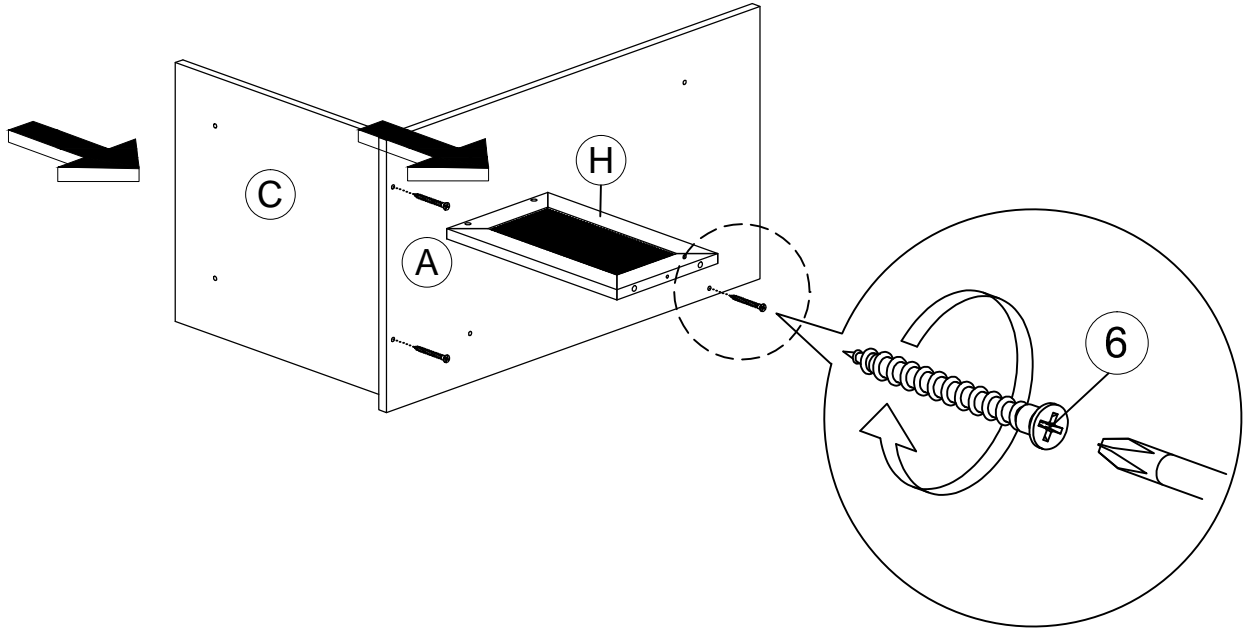


## Step 4

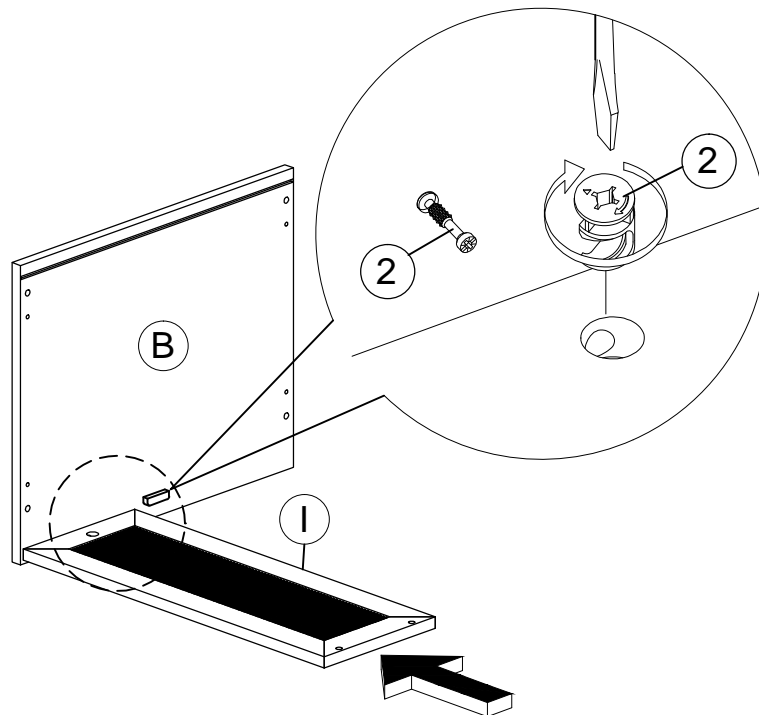


# Assembly Instruction

## Step 5

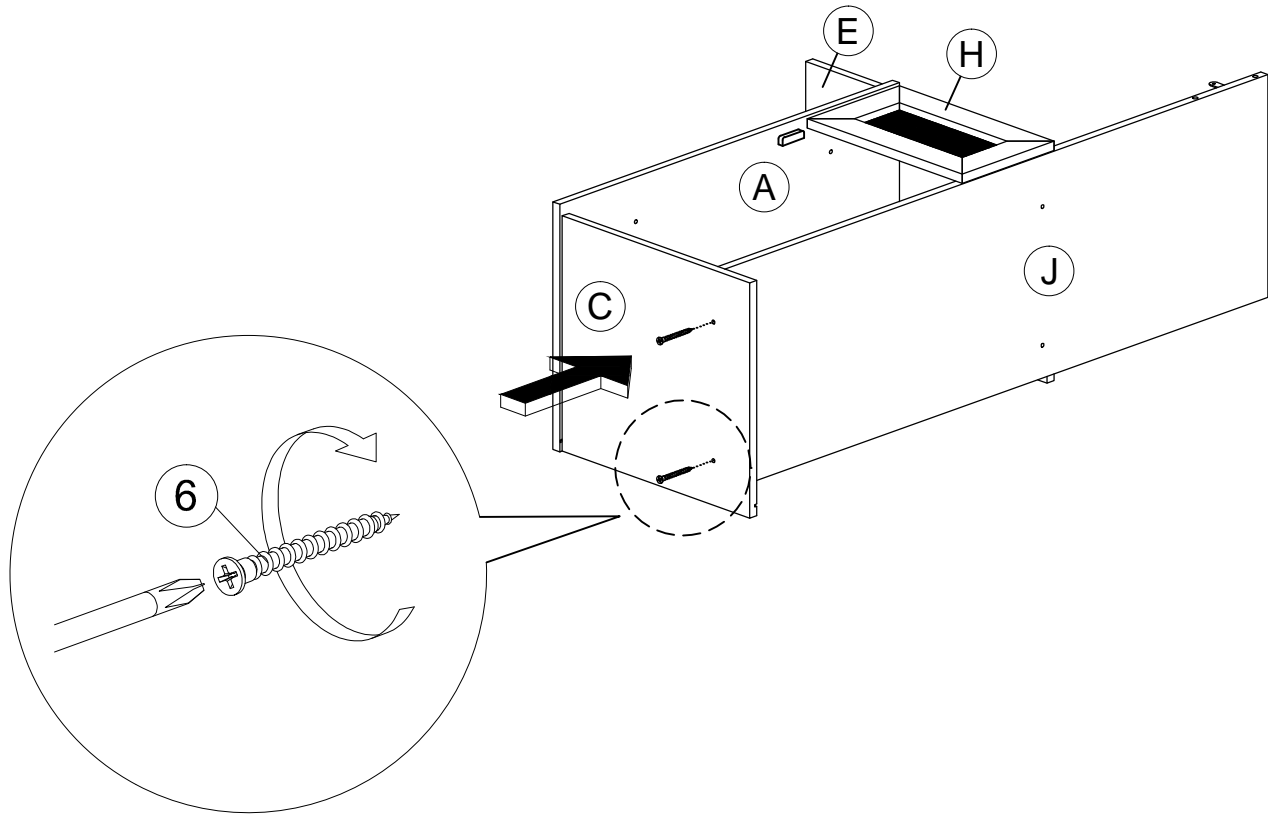


## Step 6

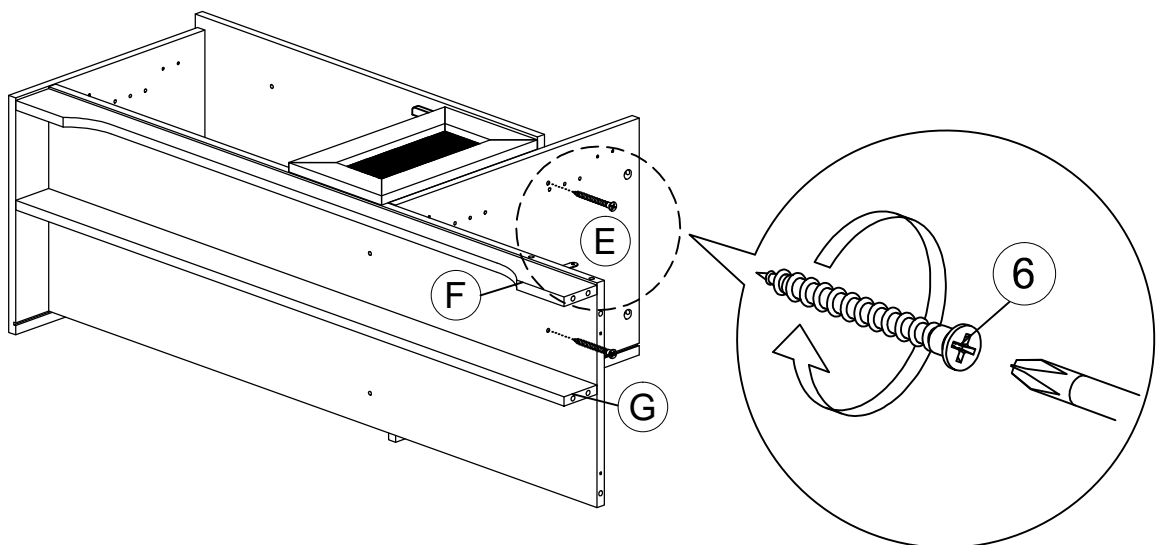


# Assembly Instruction

## Step 7

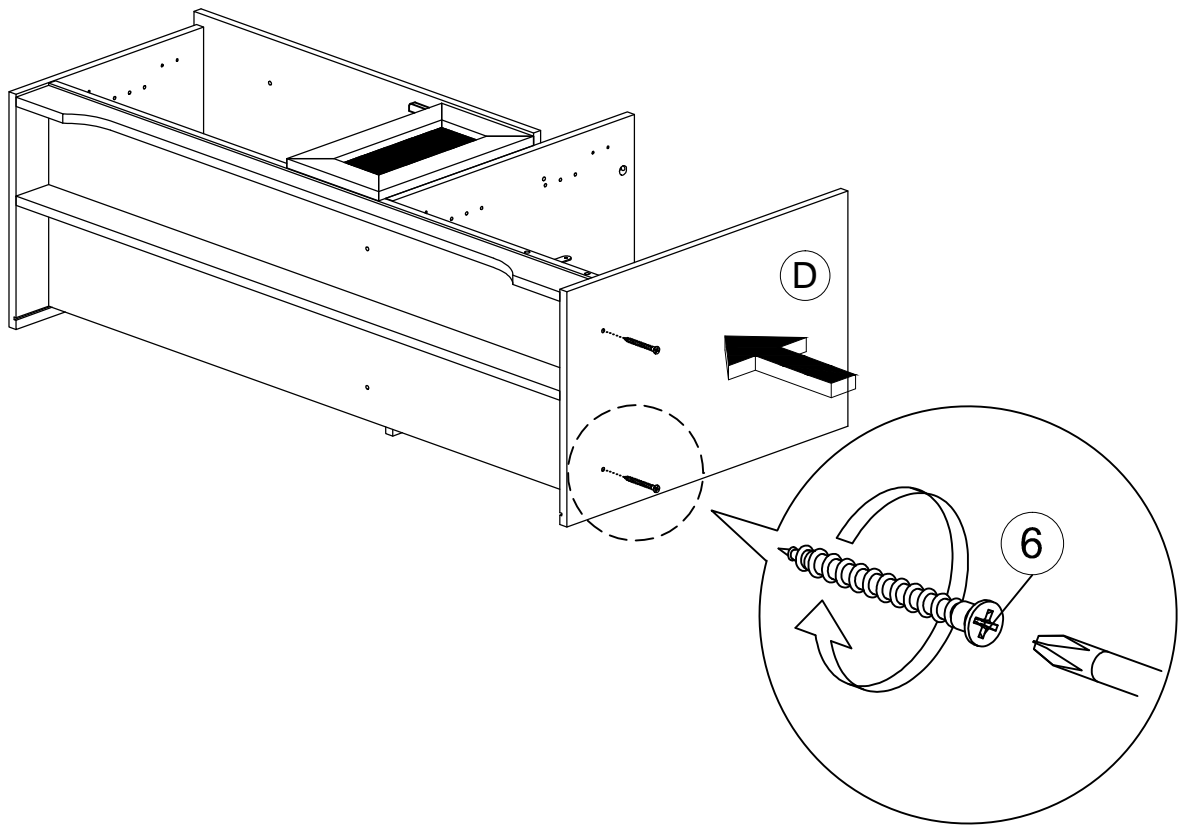


## Step 8

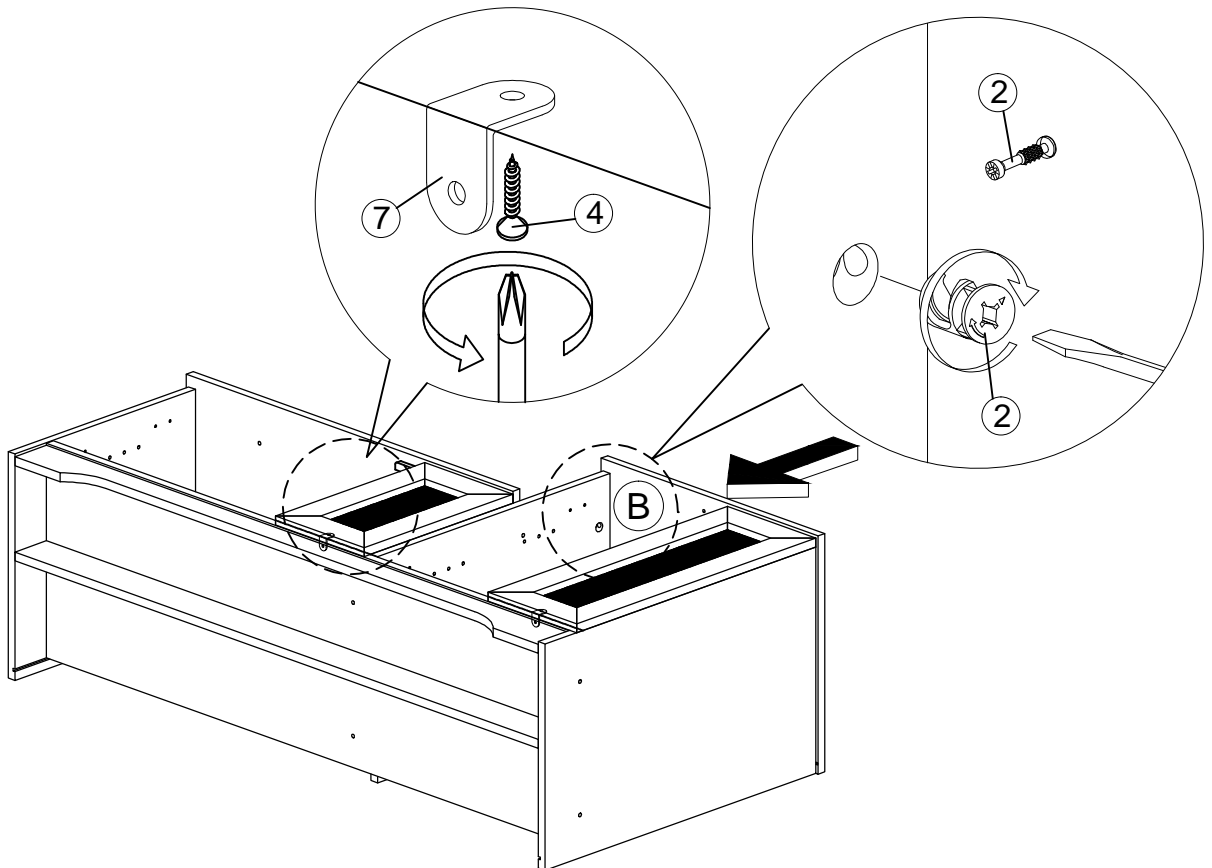


# Assembly Instruction

## Step 9

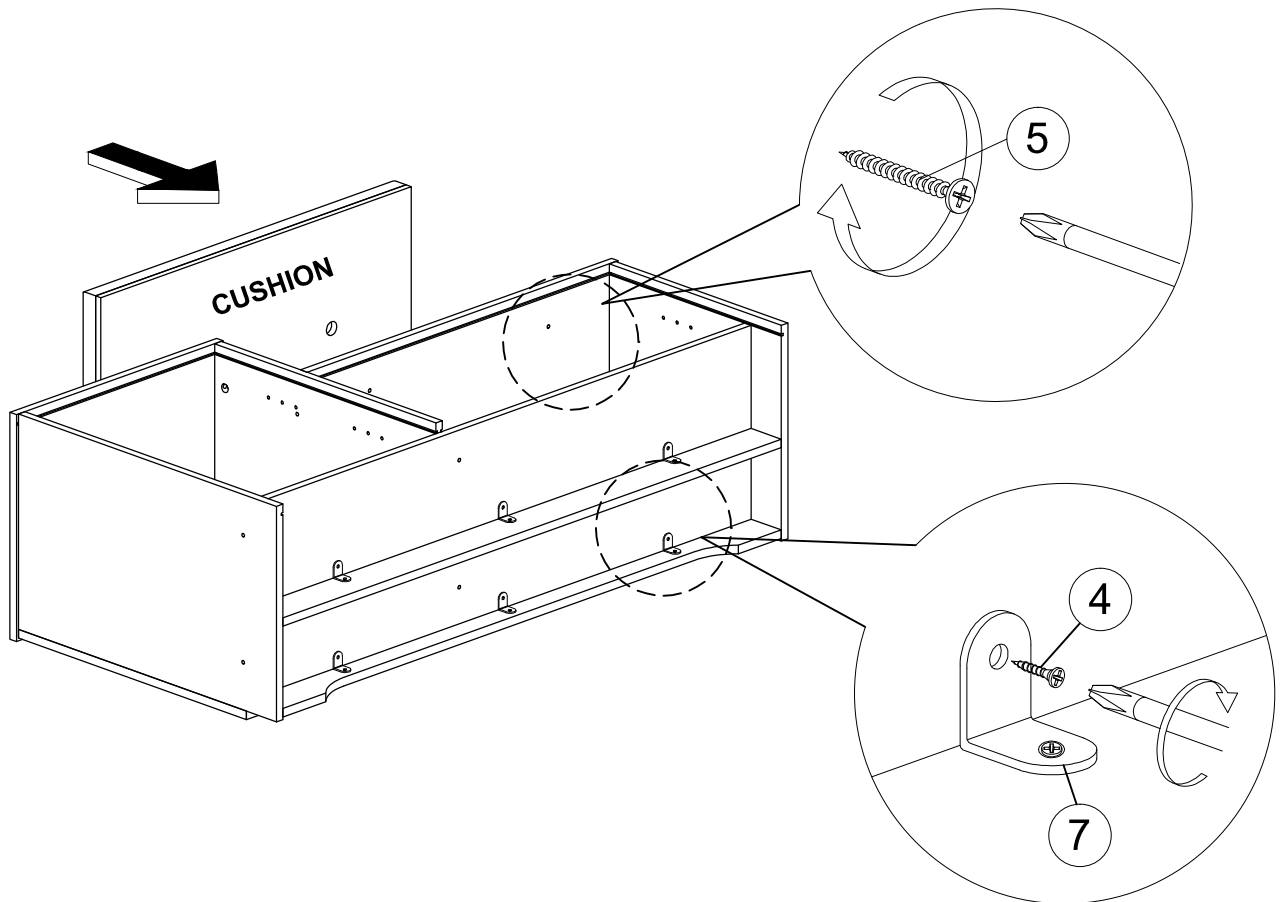


## Step 10

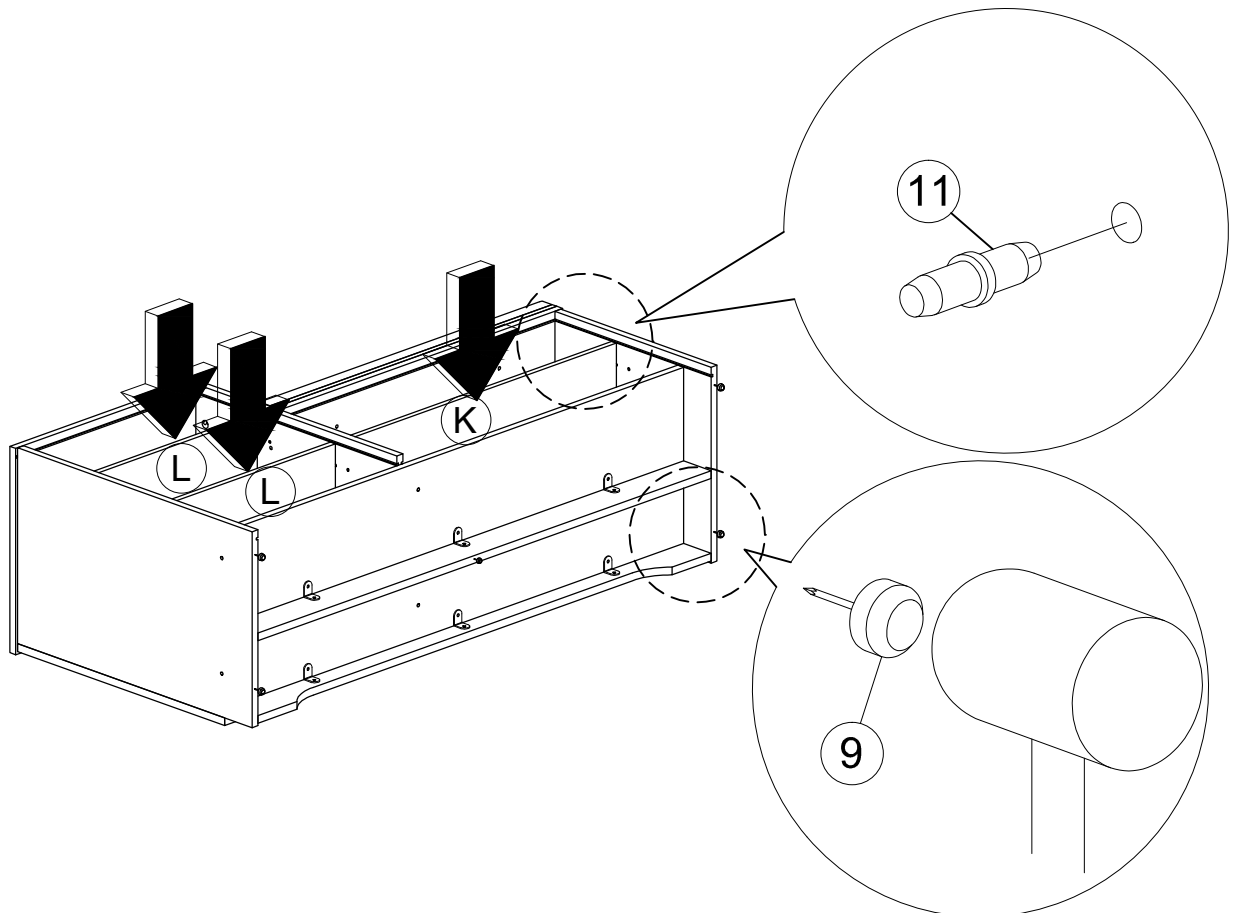


# Assembly Instruction

## Step 11

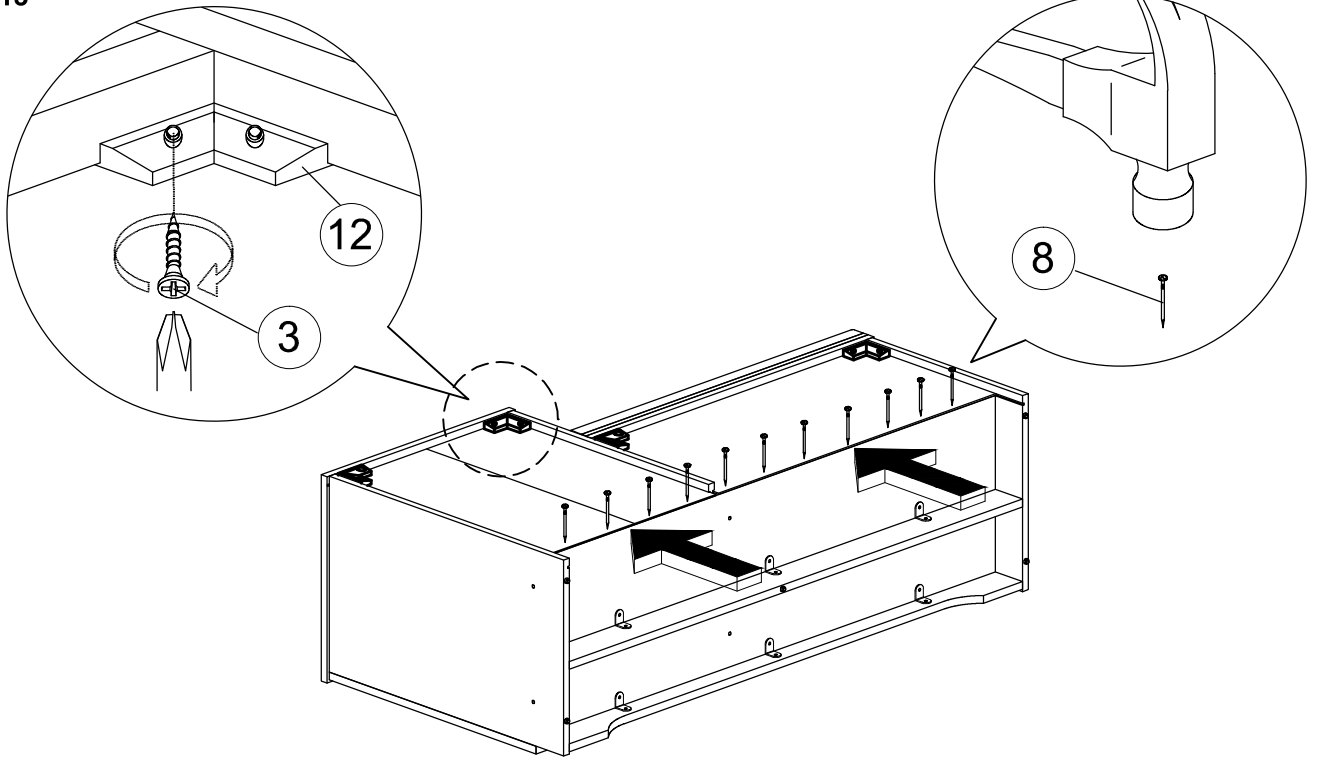


## Step 12

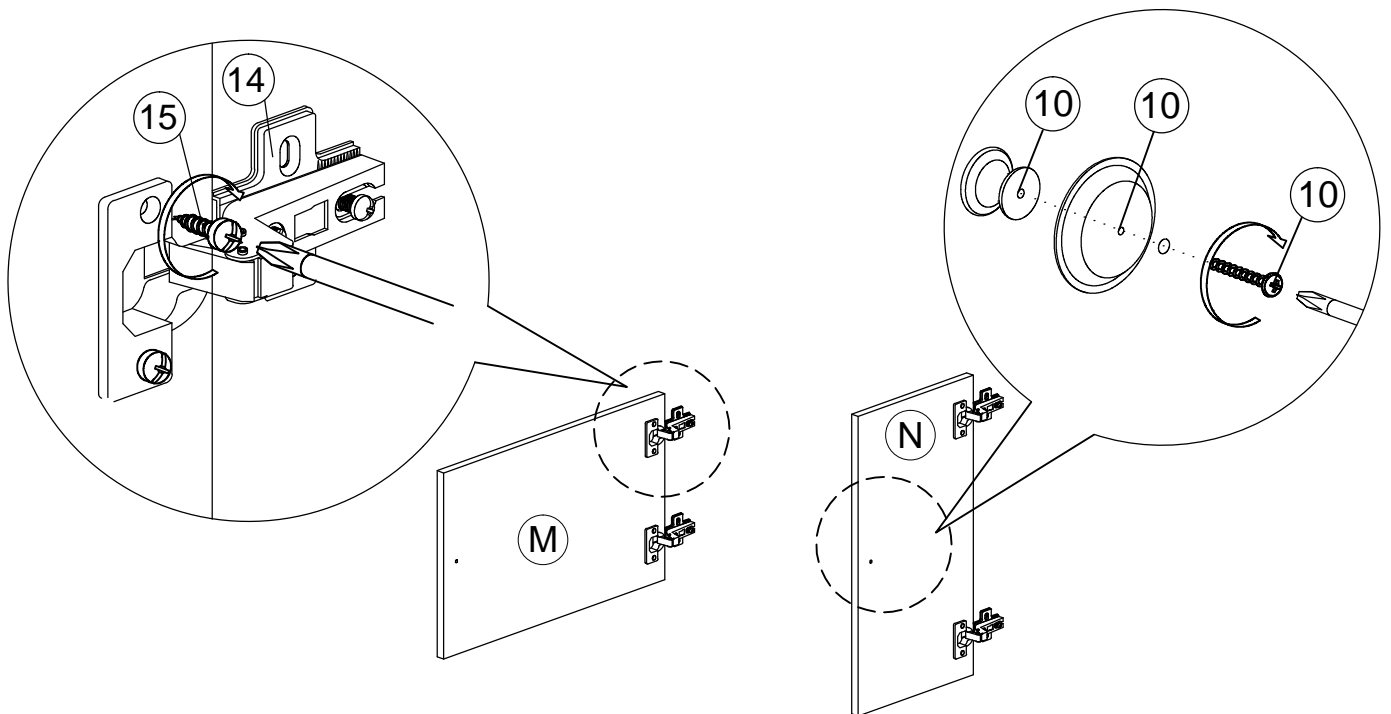


# Assembly Instruction

## Step 13



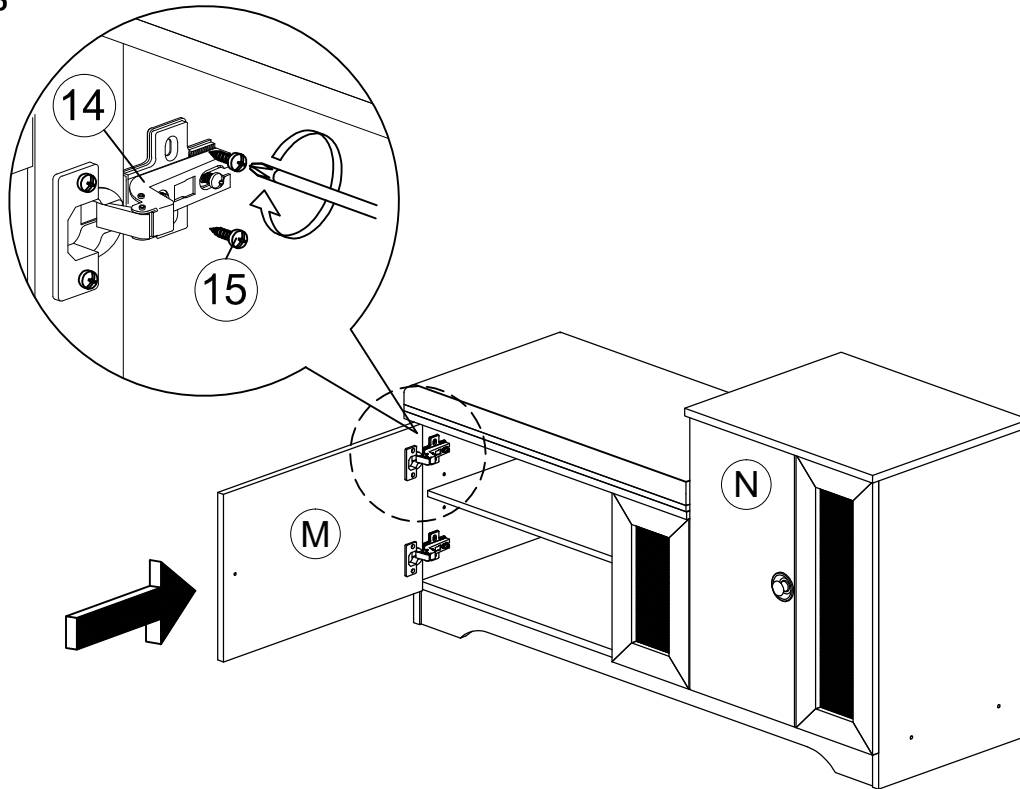
## Step 14



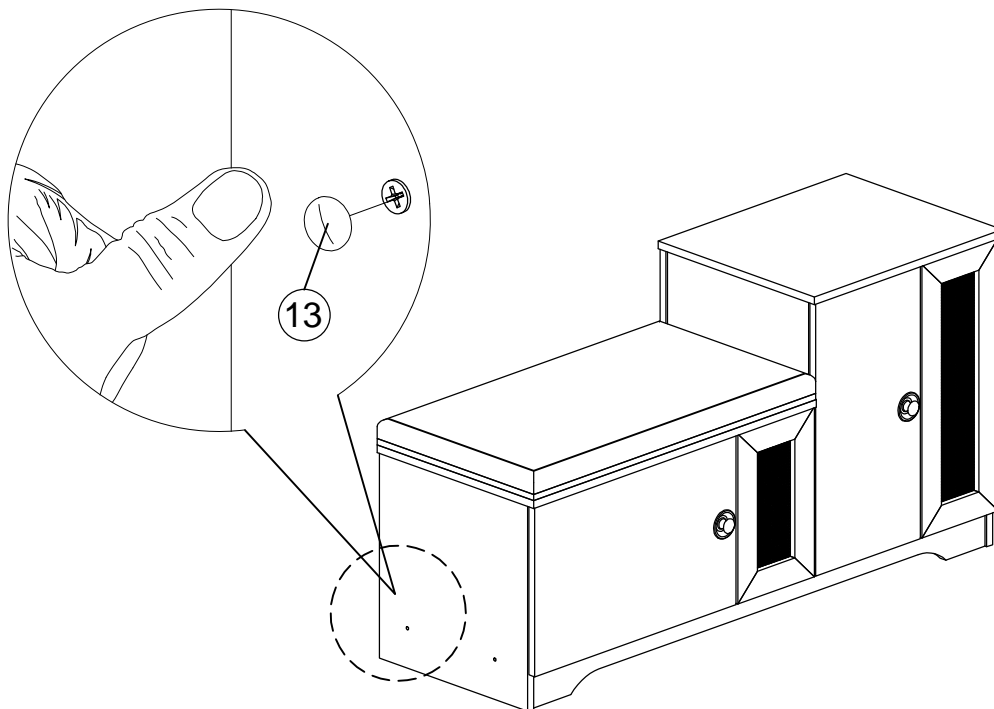


# Assembly Instruction

## Step 15

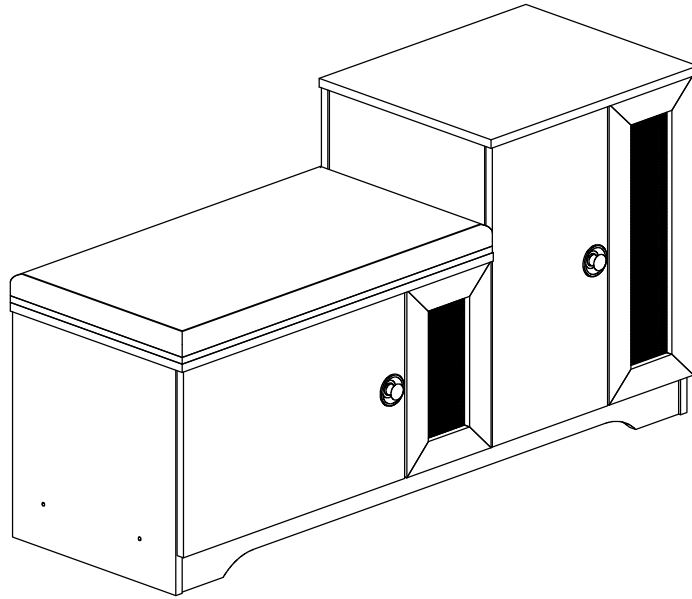


## Step 16

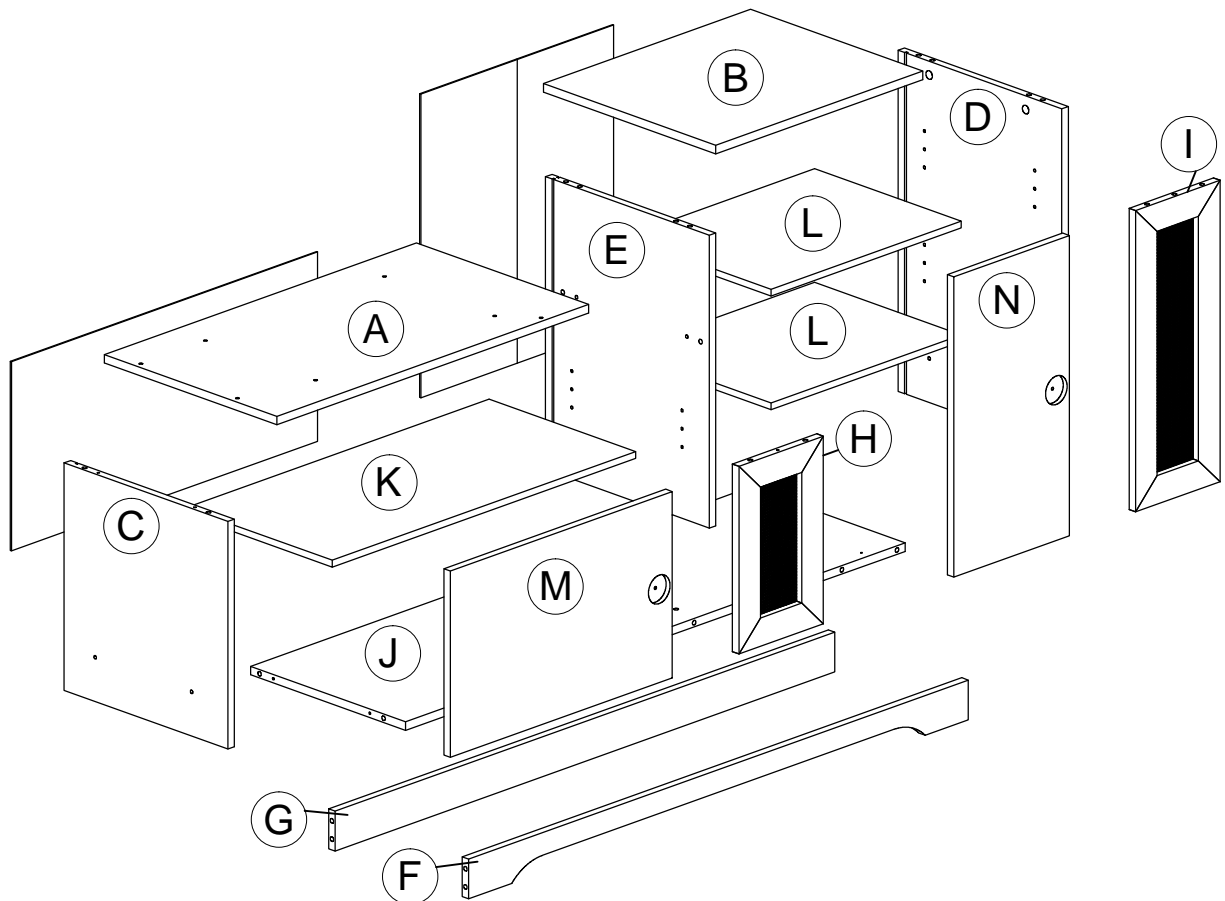


# Assembly Instruction

Model : WI9280





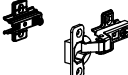


## Part List



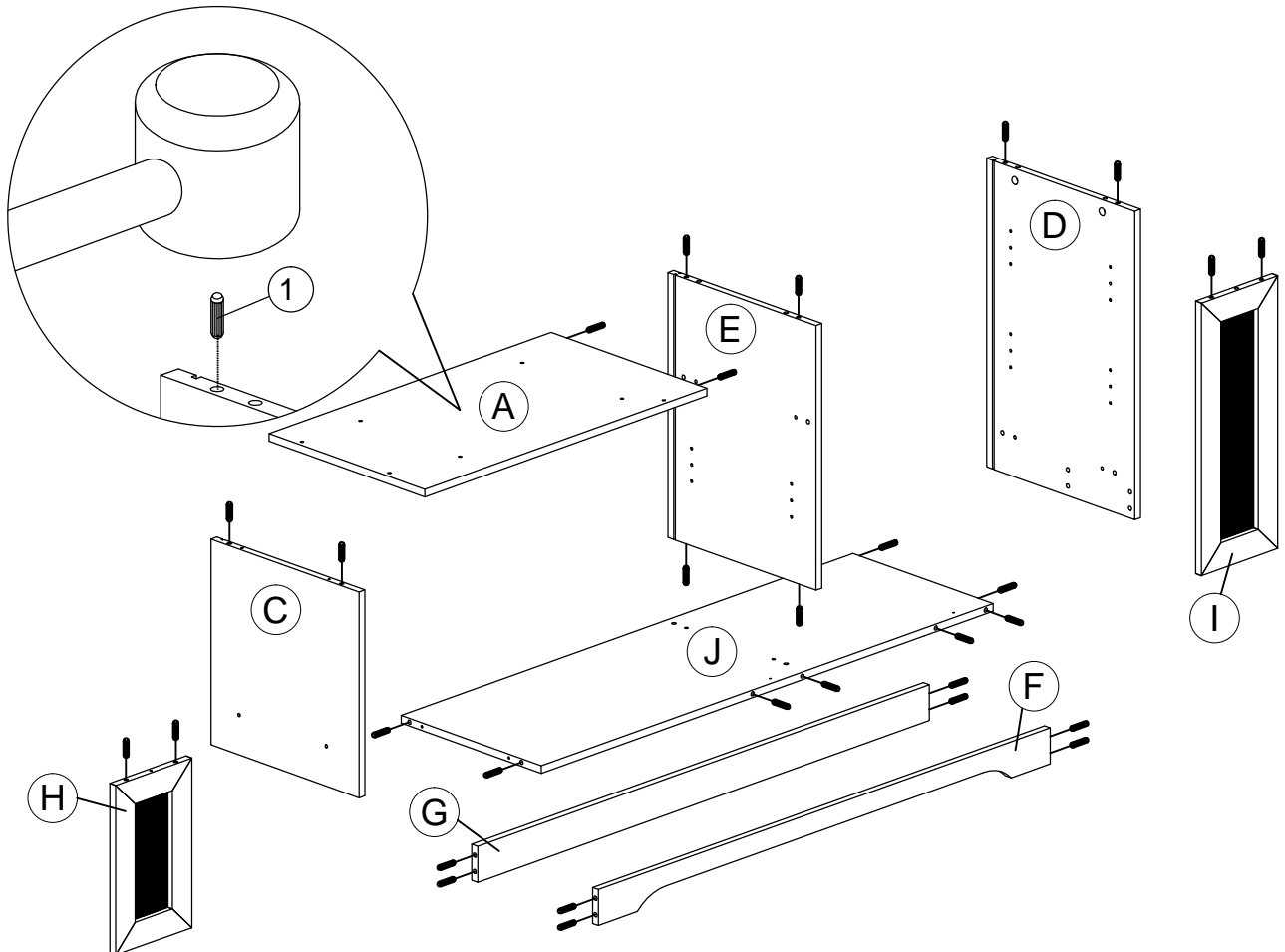
# Assembly Instruction

## Hardware List

No.	SHAPE	DESCRIPTION	Qty.
1		8x25mm Wood Dowel	30 Pcs
2		15MM Myfix Minifix	5 Sets
3		M3x16mm Screw	8 Pcs
4		M3.5x15mm Screw	16 Pcs
5		M4x25mm Screw	4 Pcs
6		M5x40mm Screw	11 Pcs
7		L Bracket	8 Pcs
8		Nail	11 Pcs
9		Nail Leg	5 Pcs
10		Handle OS-9200 & 9201 M3.6x22mm Screw	2 Sets
11		Shelf Support	12 Pcs

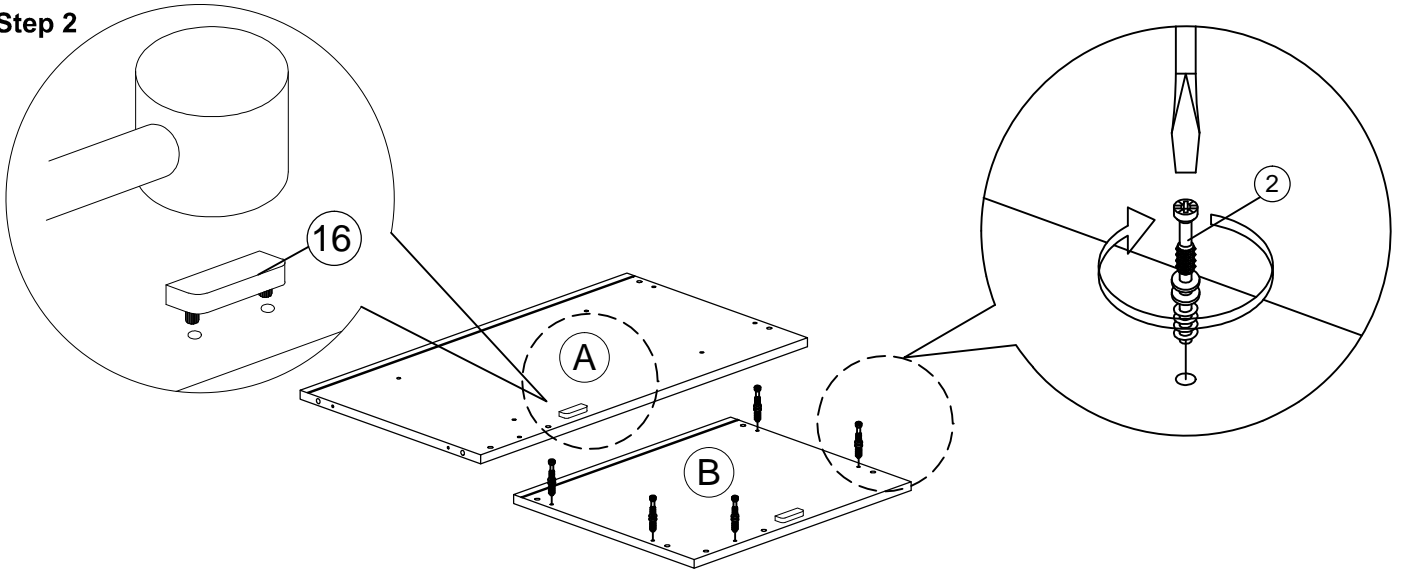
12		Z Bracket (Big)	4 Pcs
13		Screw Cap	4 Pcs
14		Hinges (F012)	4 Sets
15		TP 10#x1/2" Screw	16 Pcs
16		2 Pin Stopper	2 Pcs

### Step 1

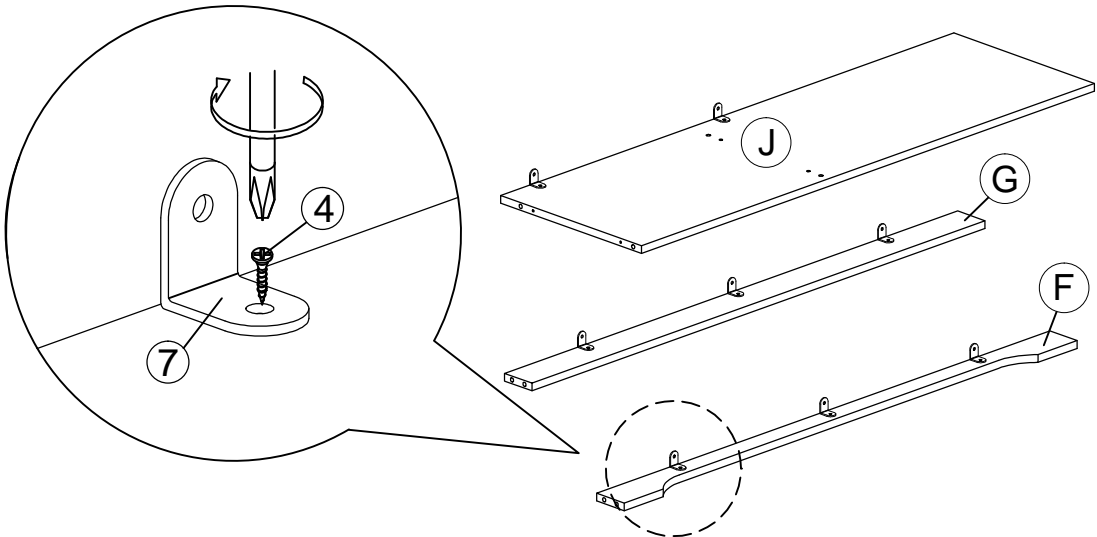


# Assembly Instruction

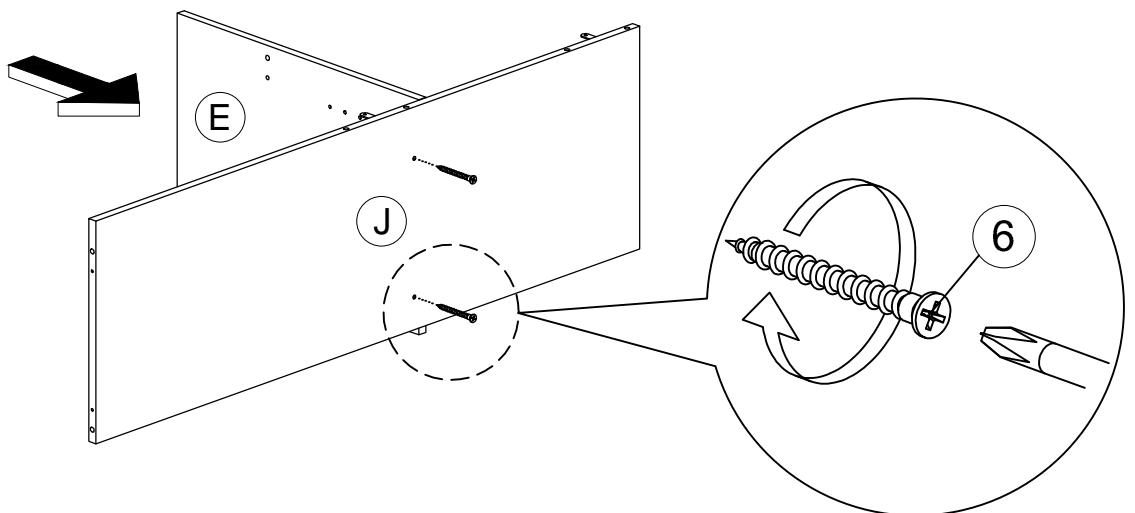
## Step 2



## Step 3

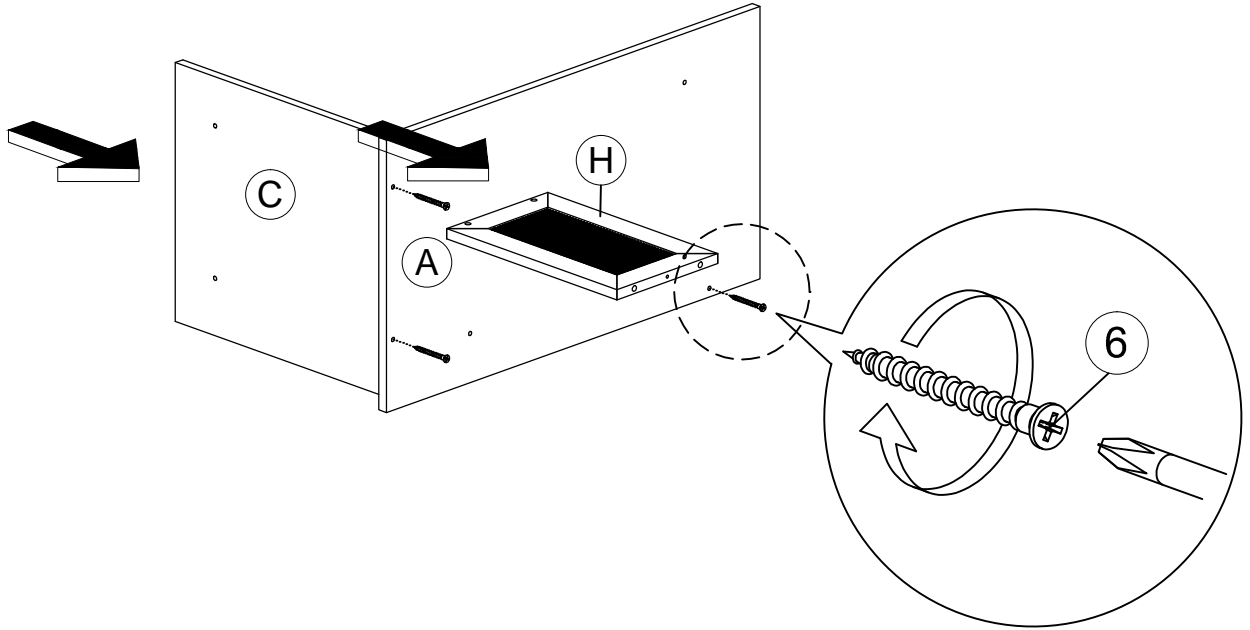


## Step 4

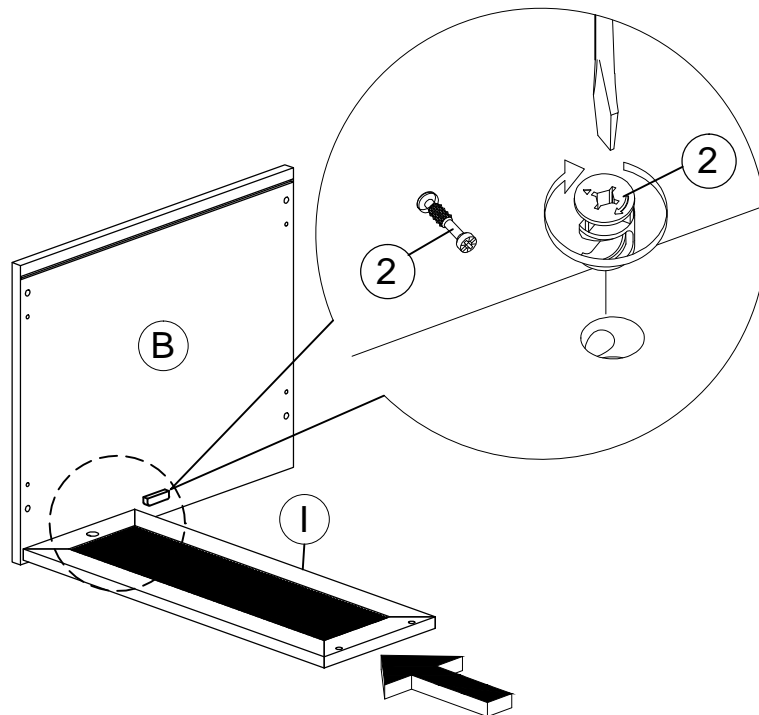


# Assembly Instruction

## Step 5

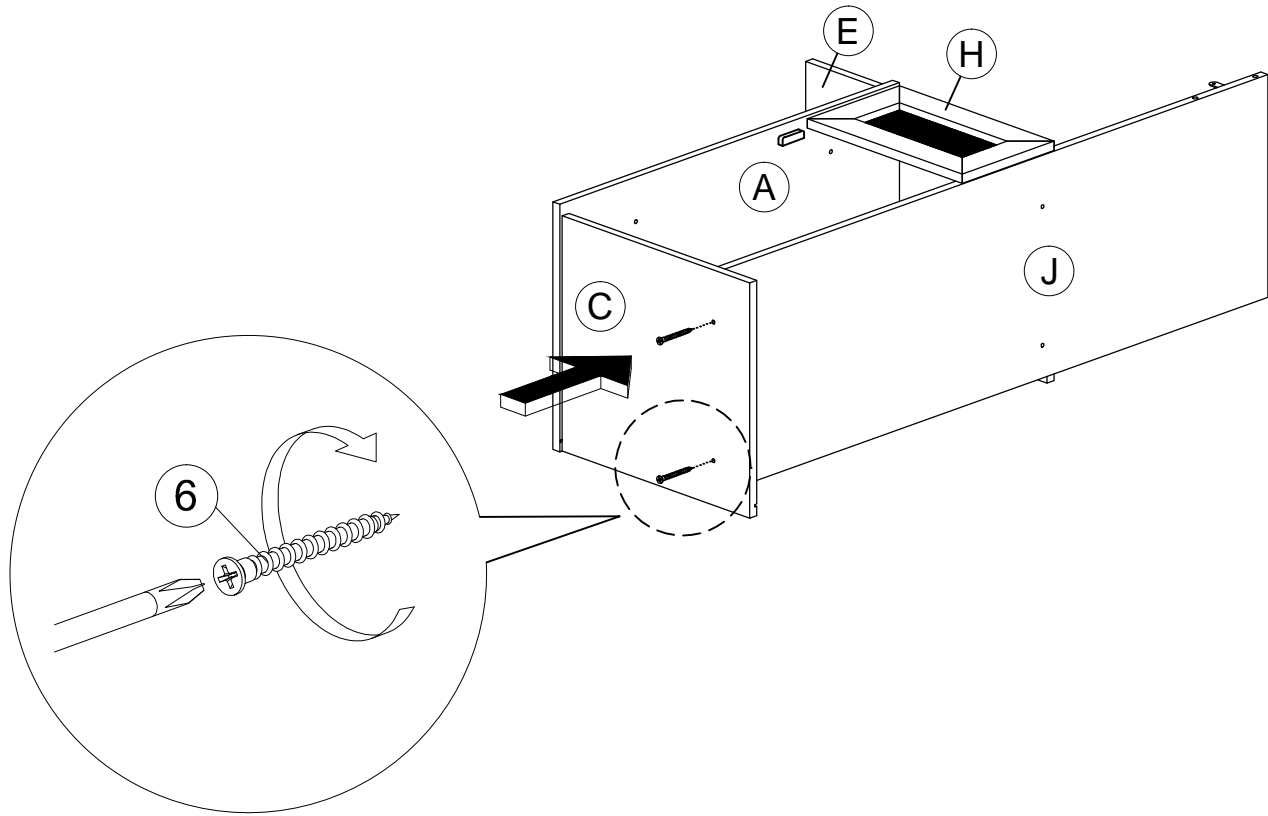


## Step 6

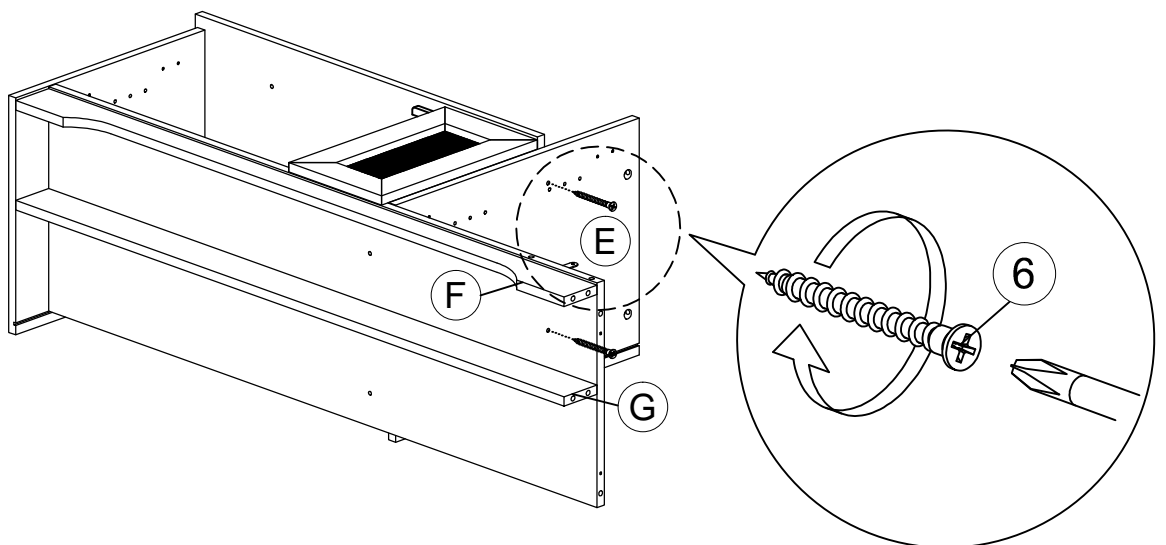


# Assembly Instruction

## Step 7

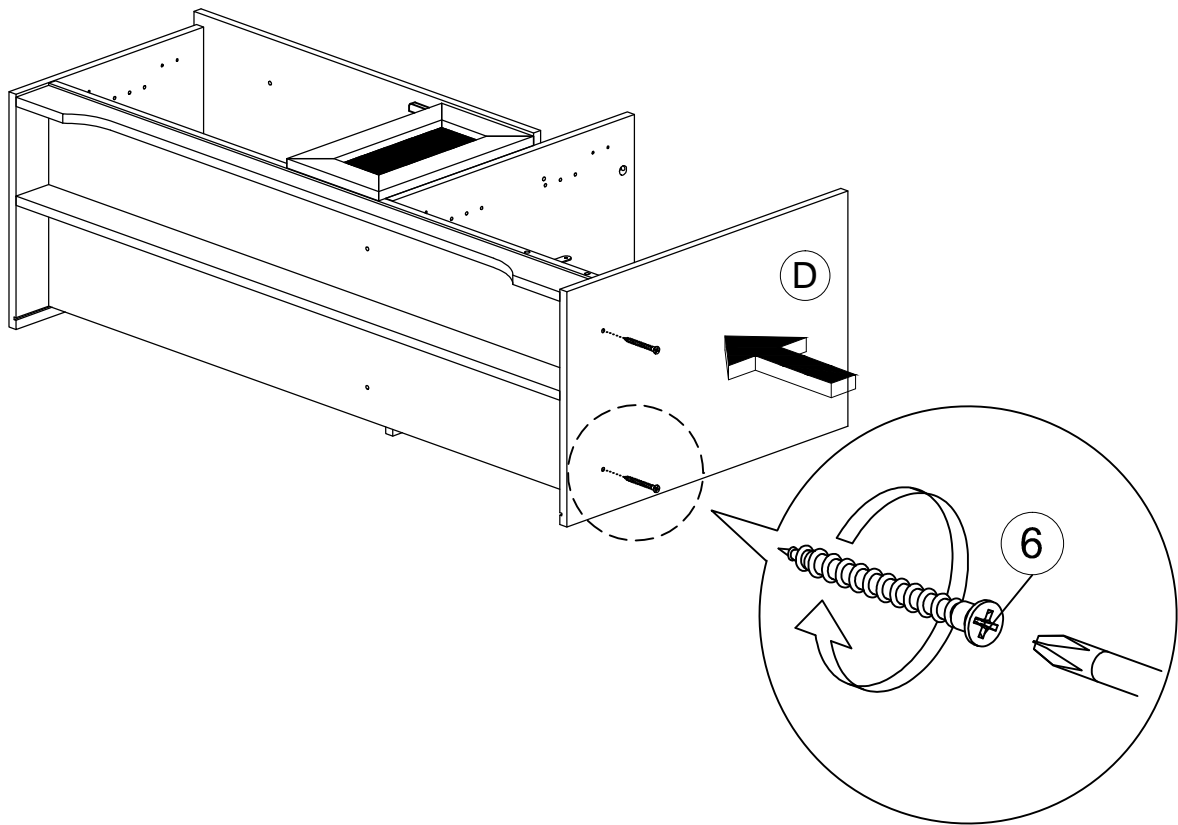


## Step 8

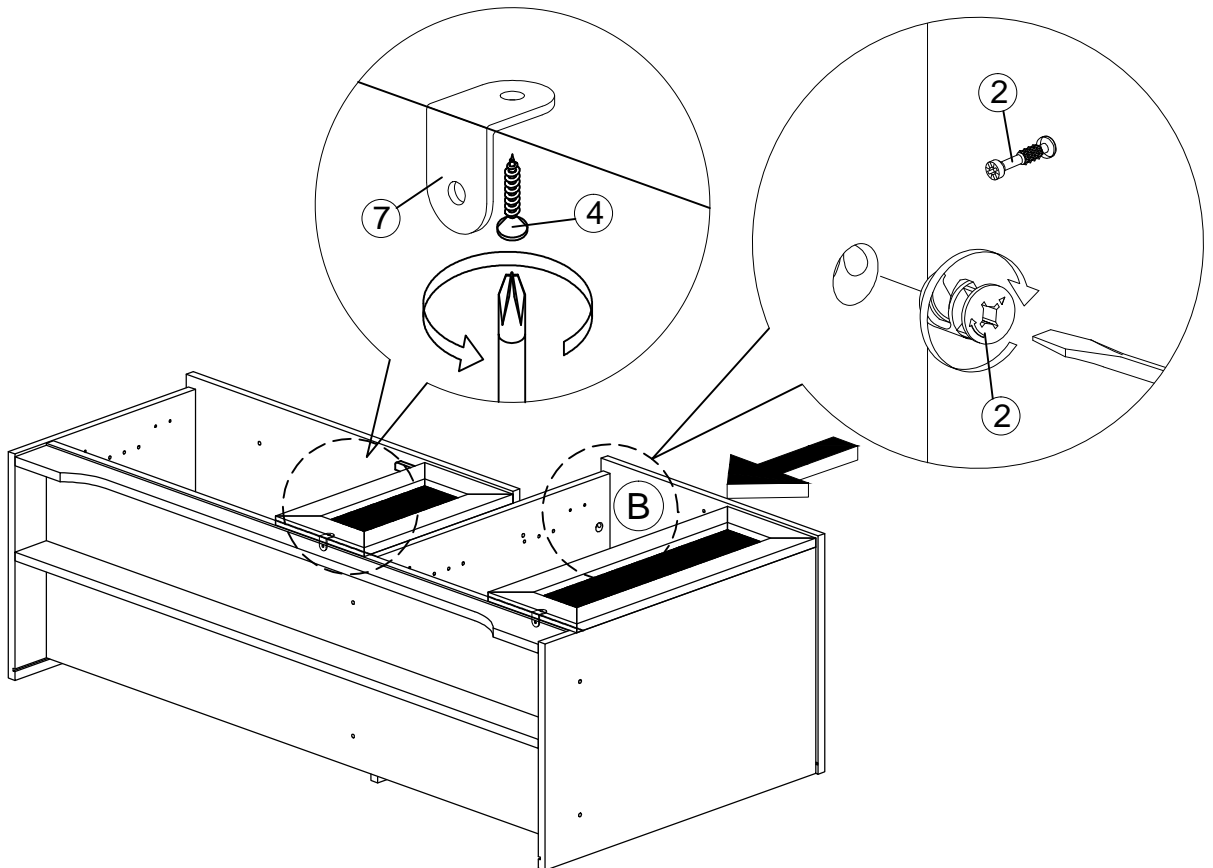


# Assembly Instruction

## Step 9

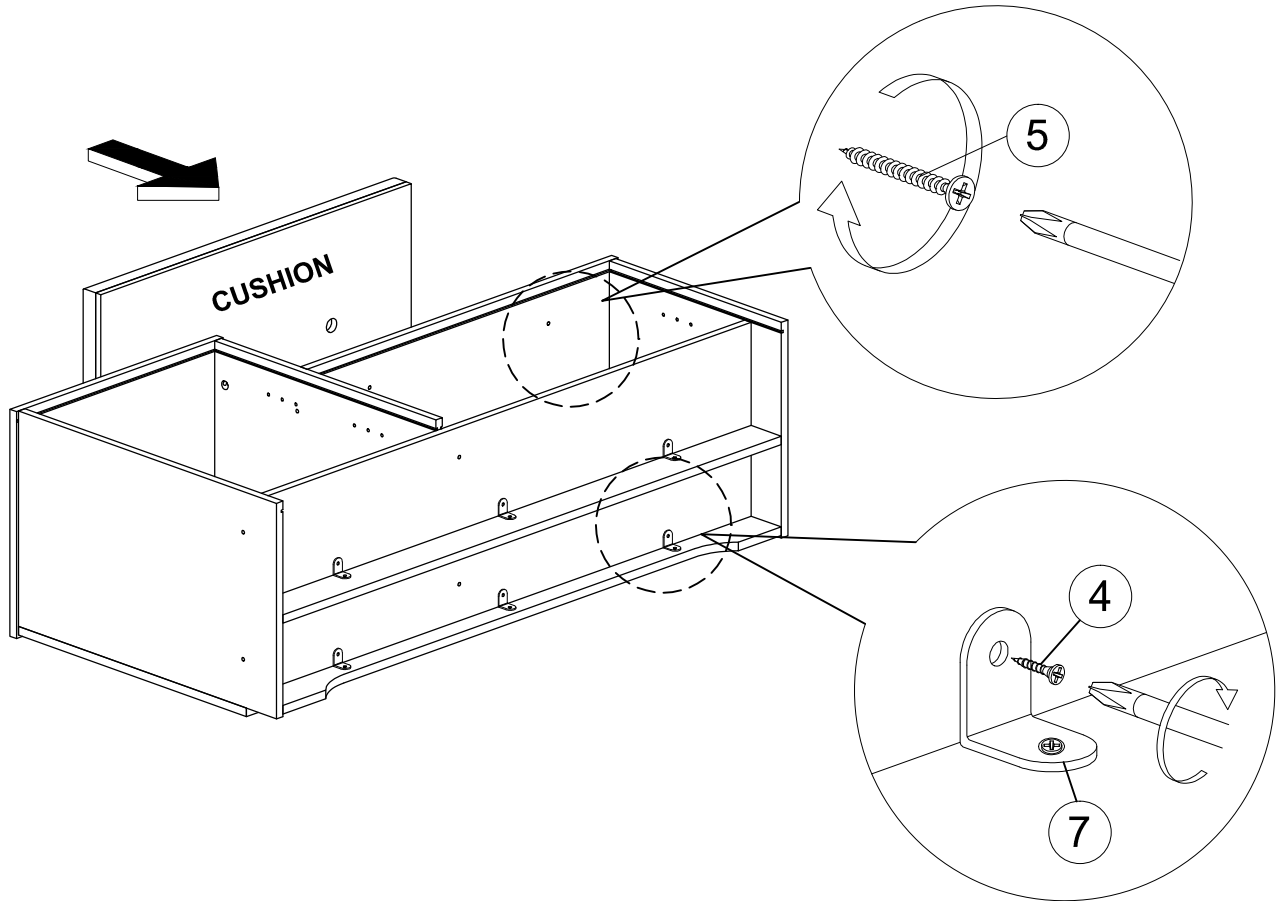


## Step 10

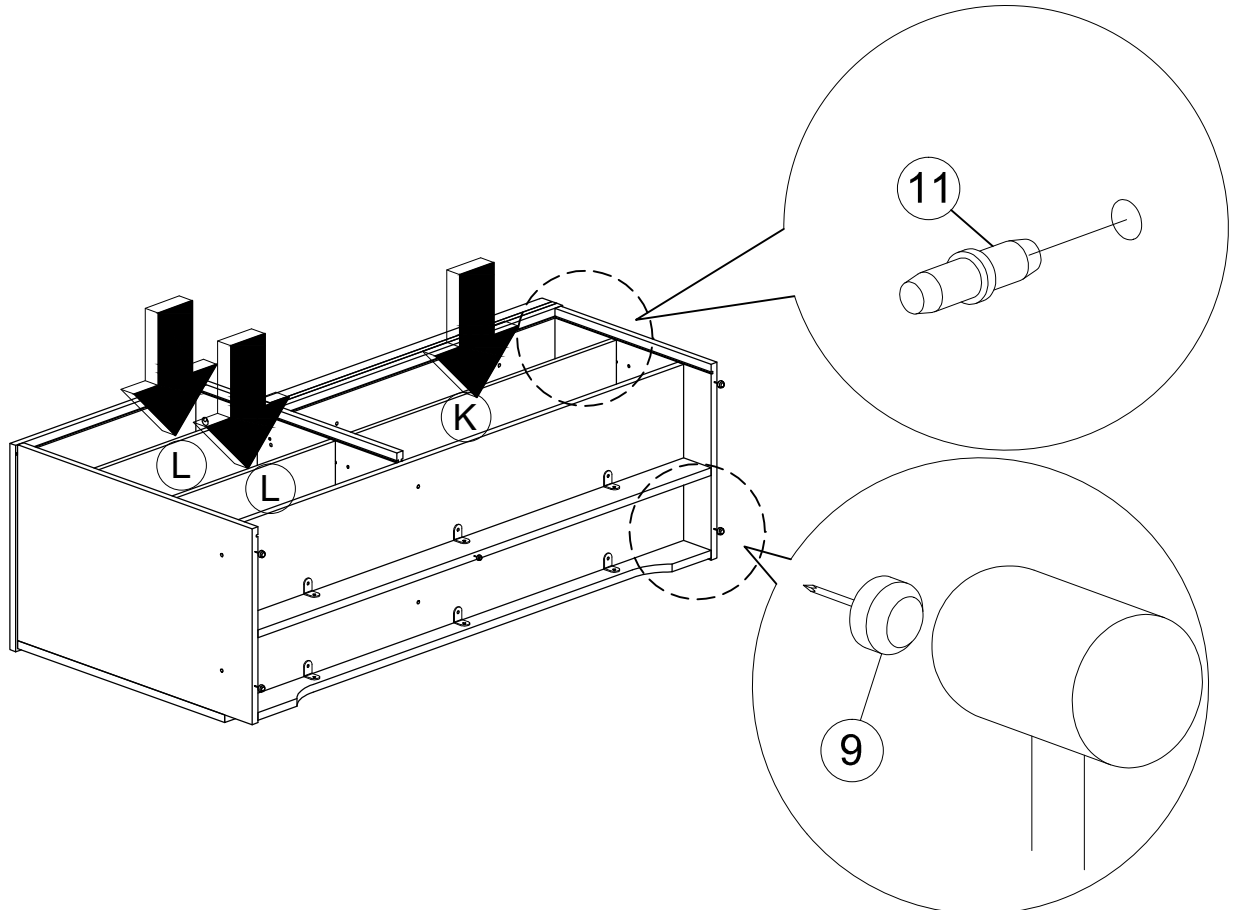


# Assembly Instruction

## Step 11



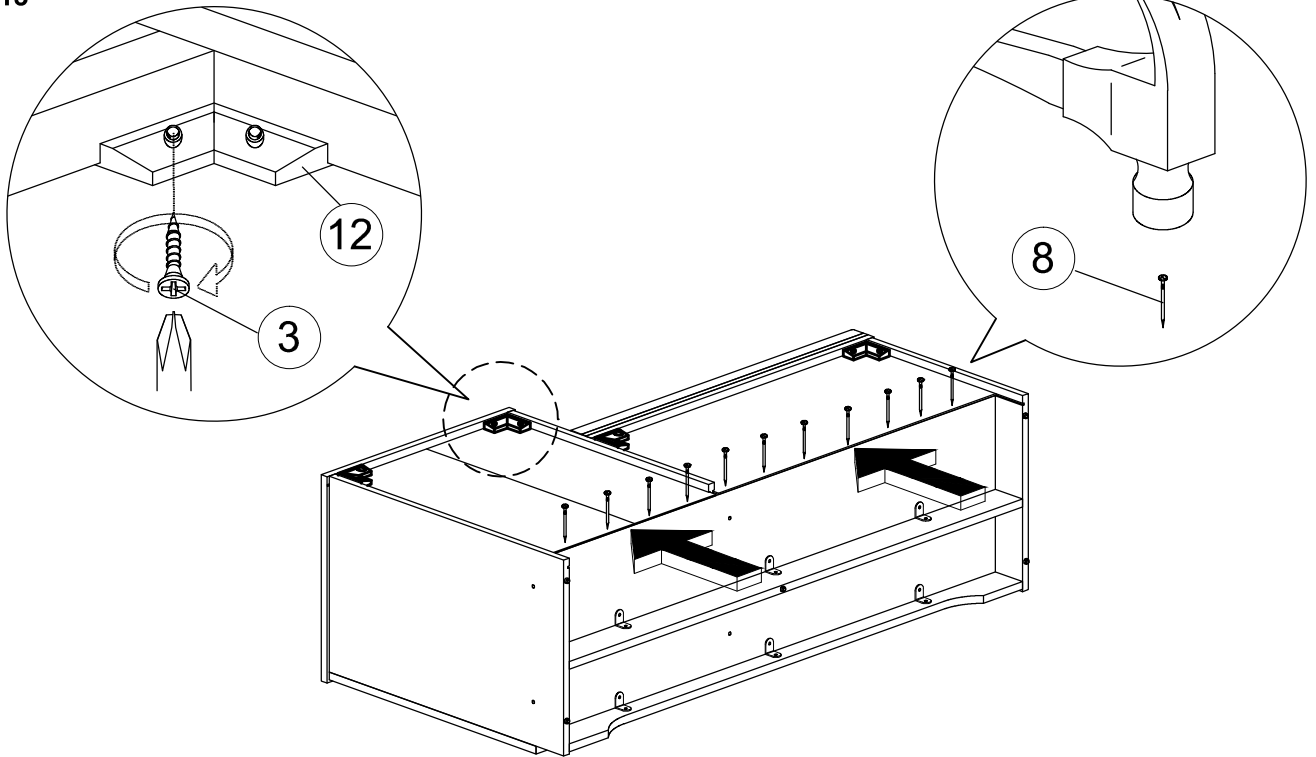
## Step 12



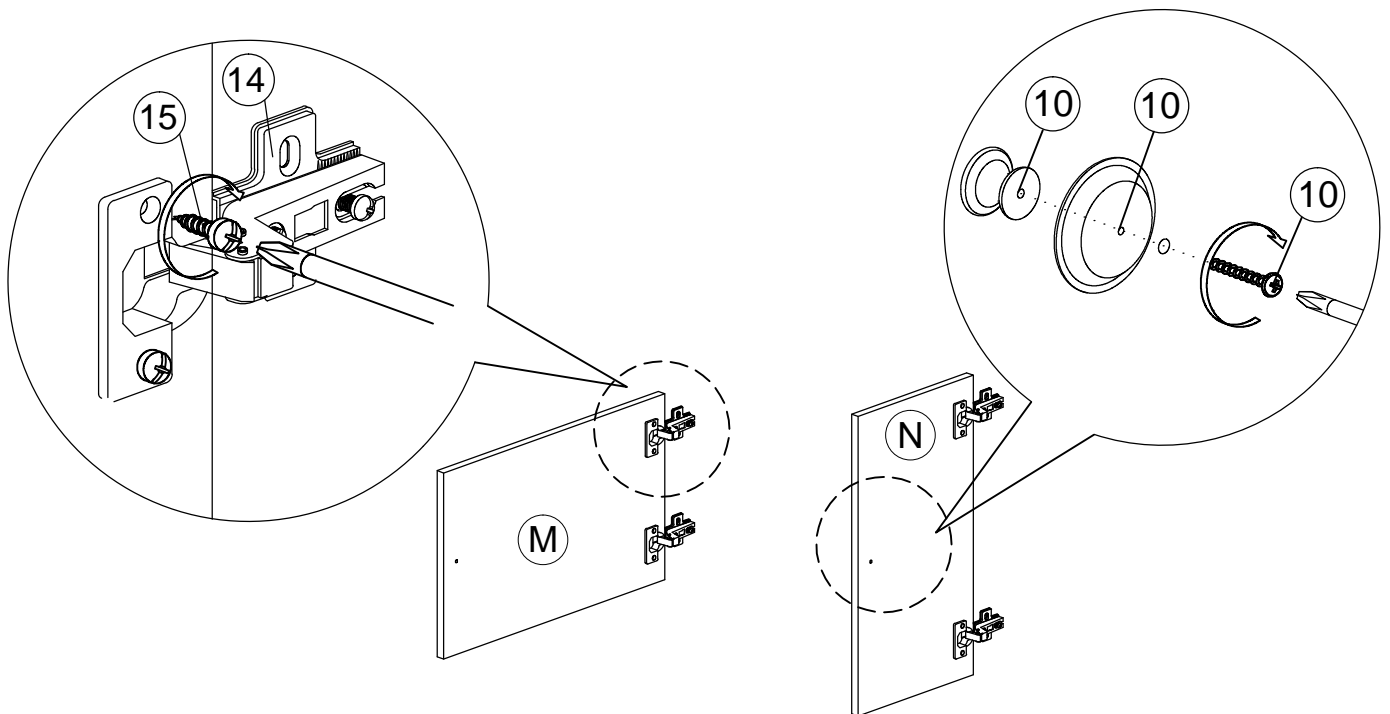


# Assembly Instruction

## Step 13

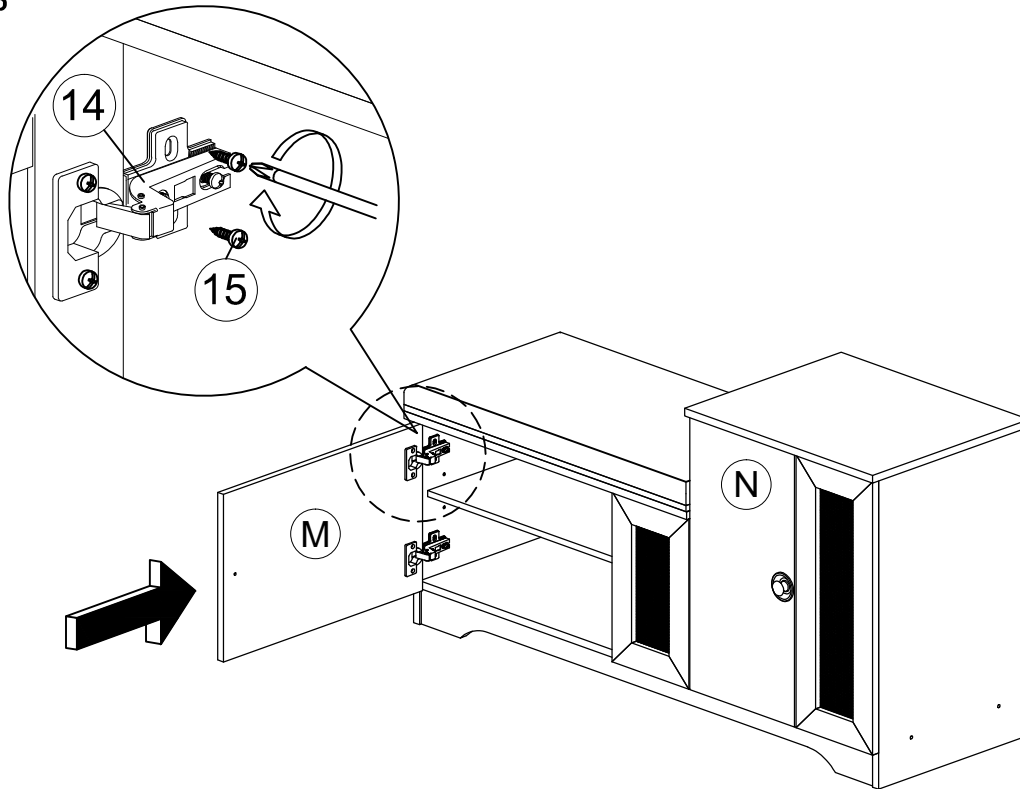


## Step 14



# Assembly Instruction

## Step 15



## Step 16

