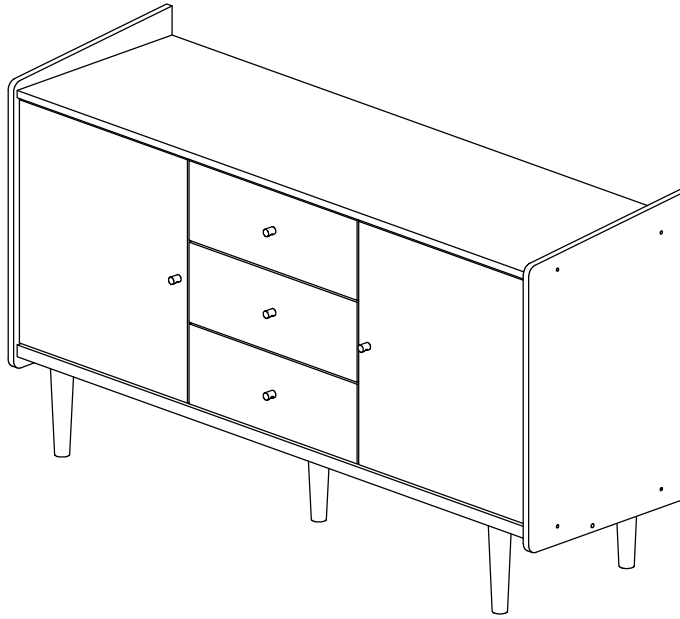
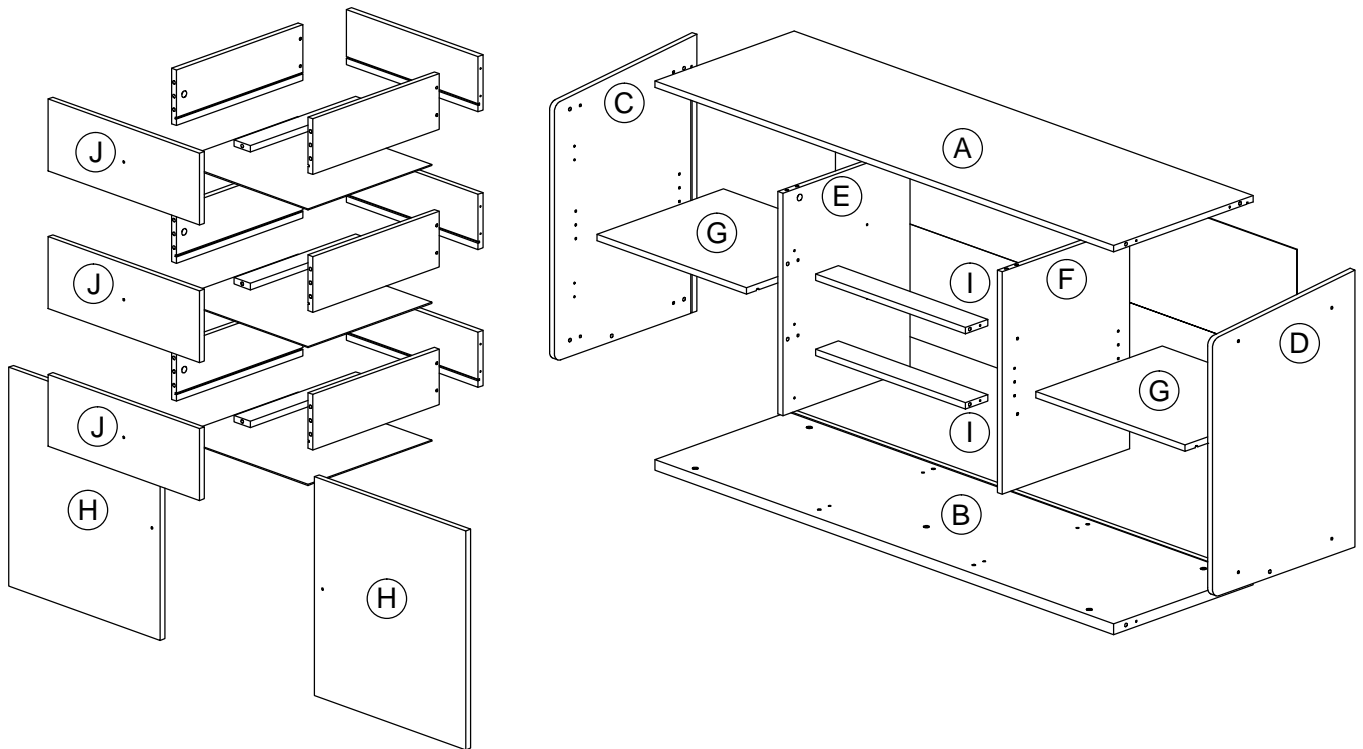


# Assembly Instruction

Model: WI11022







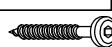
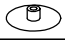


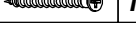
## Part List



# Assembly Instruction

## Hardware List

No.	SHAPE	DESCRIPTION	Qty.
1		<b>8x25mm Wood Dowel</b>	32 Pcs
2		<b>15MM Myfix Minifix</b>	13 Sets
3		<b>M4x38mm Screw</b>	21 Pcs
4		<b>Drawer Slide = 300mm</b>	3 Sets
5		<b>M5x8mm Screw (Euro Screw)</b>	12 Pcs
6		<b>M3.5x16mm Screw</b>	18 Pcs
7		<b>Hinges (F010)</b>	4 Sets
8		<b>TP 10#x1/2" Screw</b>	16 Pcs
9		<b>Shelf Support</b>	8 Pcs
10		<b>Z Bracket</b>	2 Pcs
11		<b>M3x16mm Screw</b>	4 Pcs
12		<b>Handle Wood Ø15x20mm Handle Screw (M4 x 25mm)</b>	5 Sets
13		<b>Nail</b>	12 Pcs

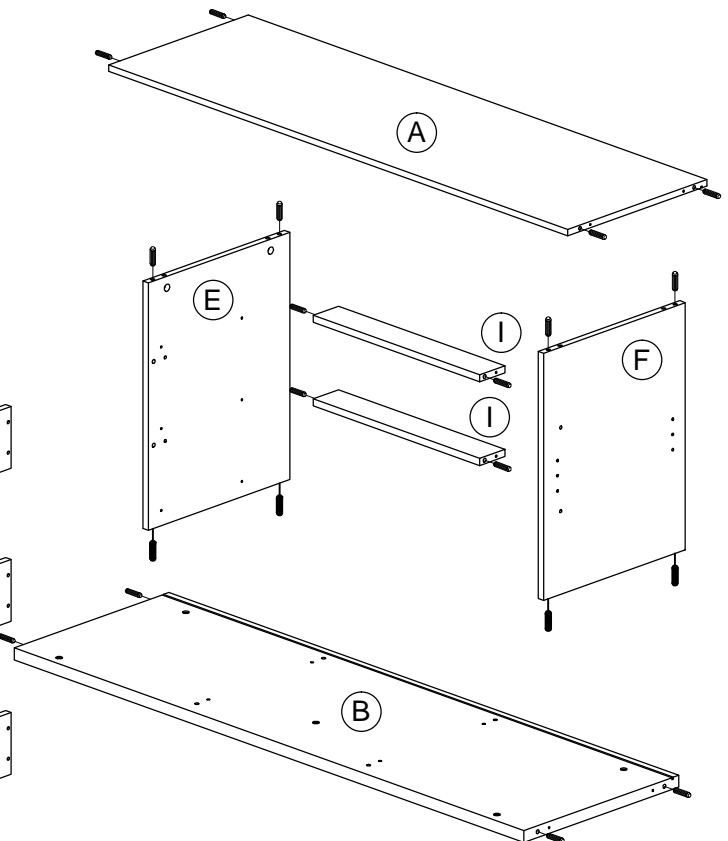
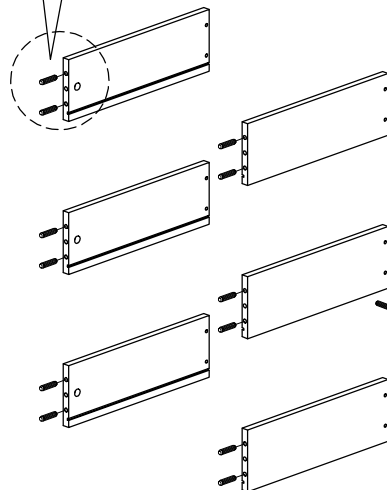
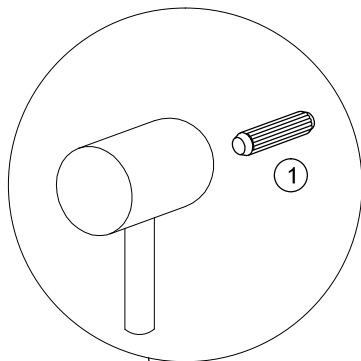
14		<b>Wooden Leg Ø46 x 30mm (H 185mm)</b>	5 Pcs
15		<b>Metal Crossbar 1416 x 25 x 25</b>	1Pc
16		<b>JCBC - Blot M6x40mm</b>	2 Pcs
17		<b>L Key</b>	1 Pc
18		<b>M6x50mm Screw</b>	5Pcs
19		<b>15mm Minifix Cap</b>	6 Pcs
20		<b>Screw Cap</b>	12 Pcs
21		<b>M4x65mm Screw</b>	4 Pcs
22		<b>M5x40mm Screw</b>	12 Pcs

## Packing Tipping Restraint

### Hardware List

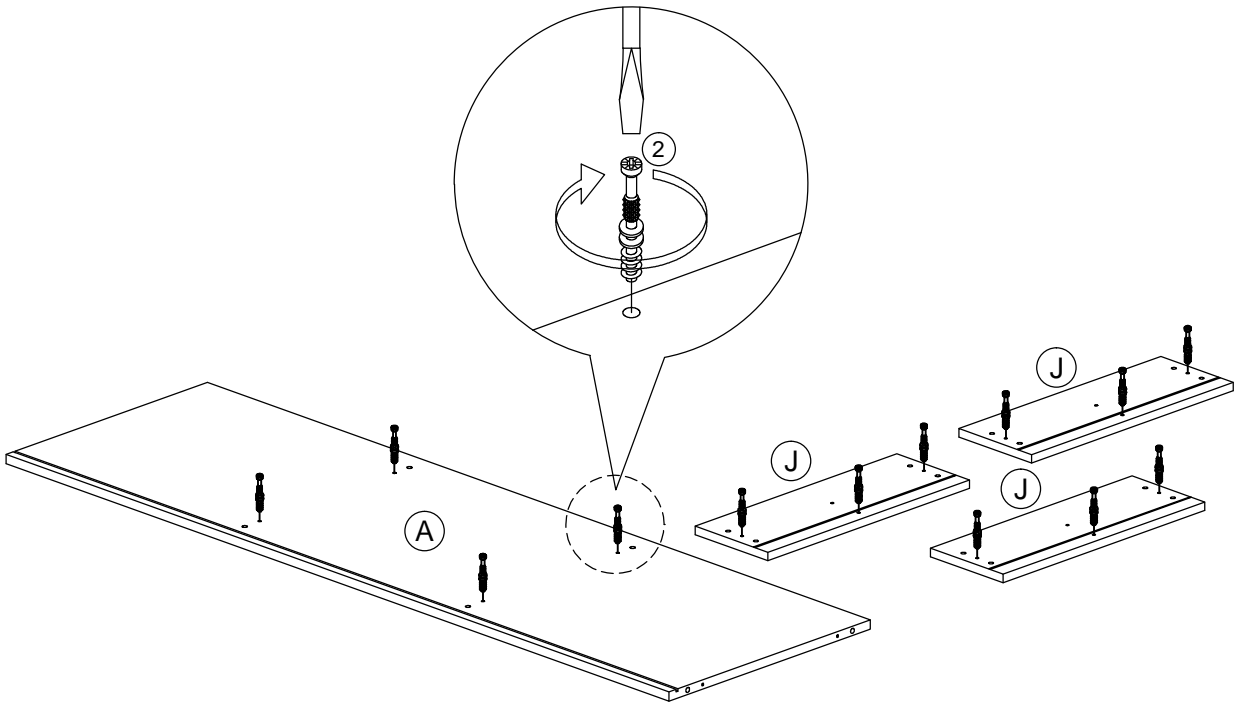
No.	SHAPE	DESCRIPTION	Qty.
1		<b>M3.5x15mm Screw</b>	2Pcs
2		<b>Safety Strap</b>	2Pcs
3		<b>Wall Plug</b>	2Pcs
4		<b>M4x30mm Screw</b>	2Pcs
5		<b>Flat Washer 6x19x2mm</b>	4Pcs

## STEP 1

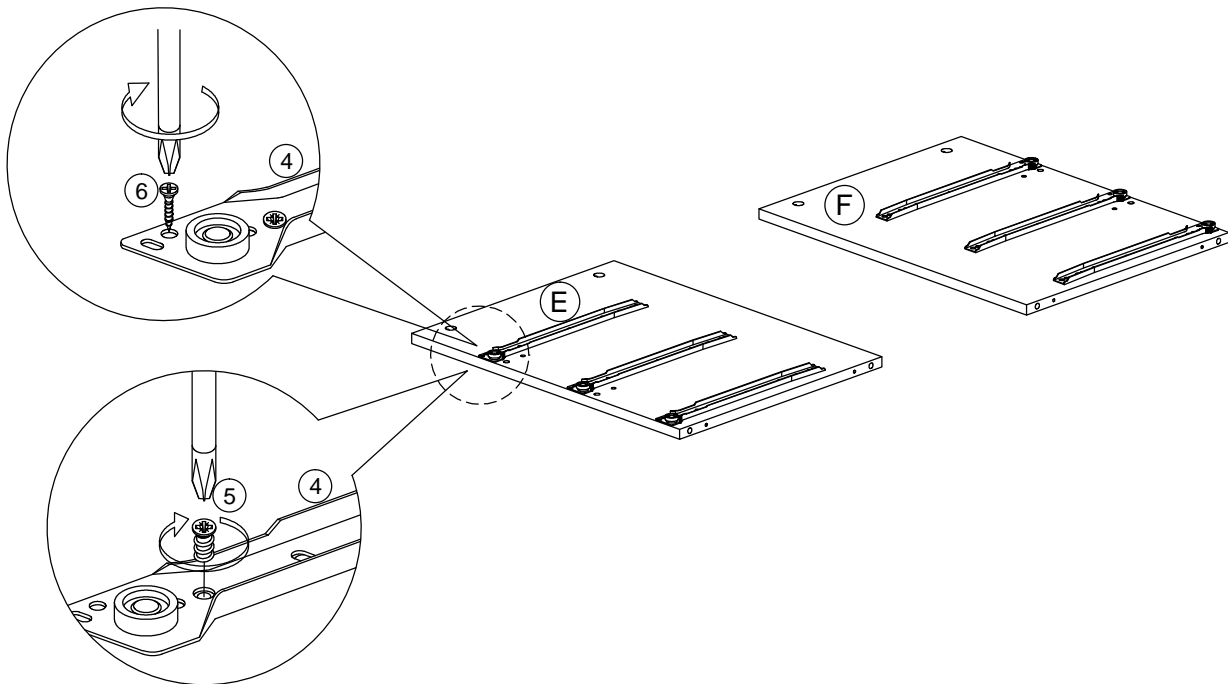


# Assembly Instruction

## STEP 2

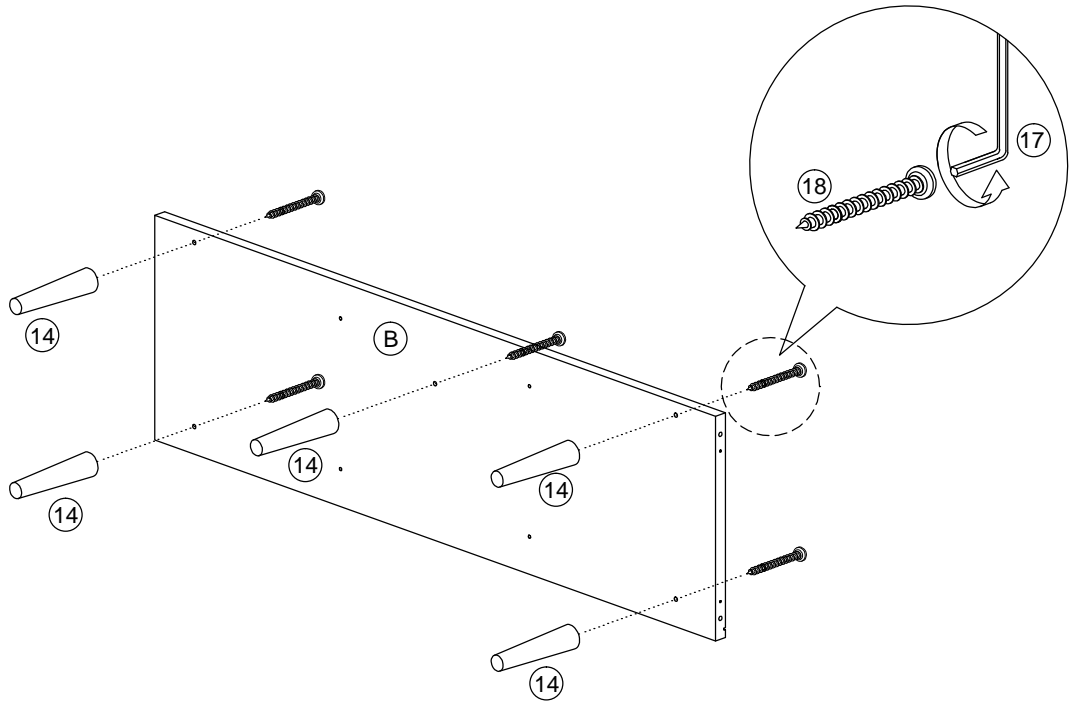


## STEP 3

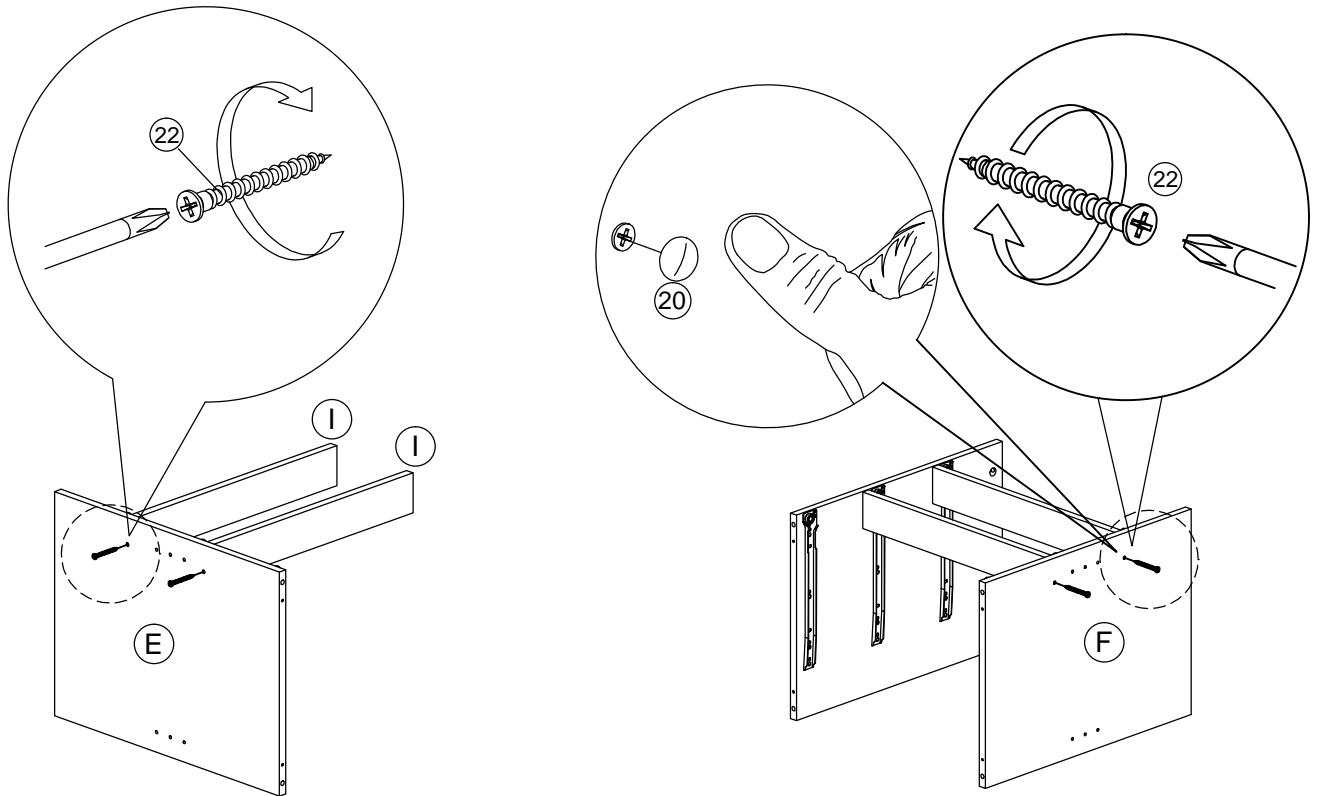


# Assembly Instruction

## STEP 4

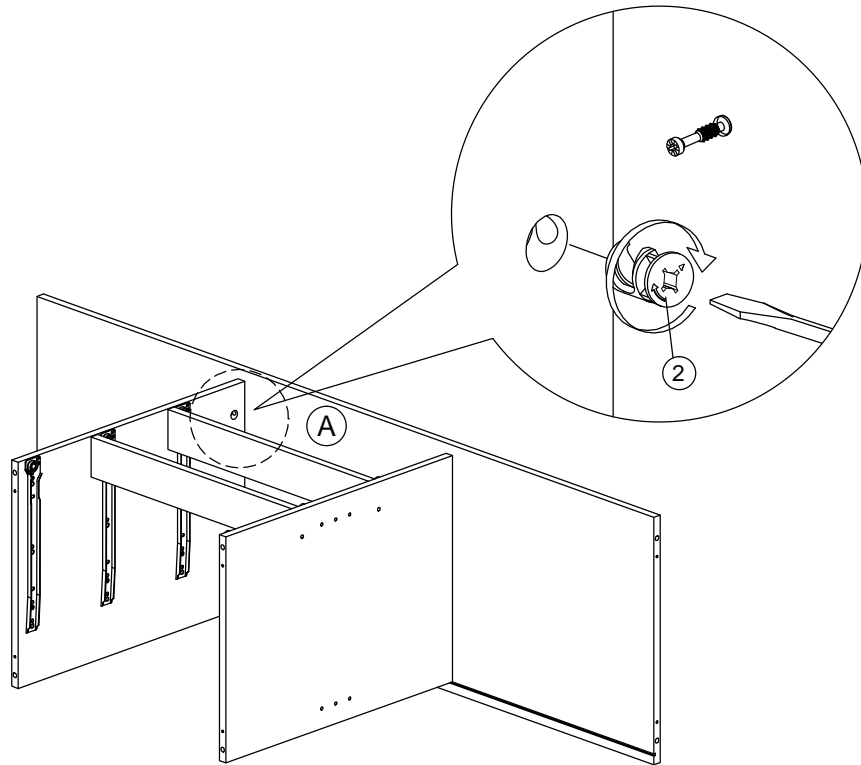


## STEP 5

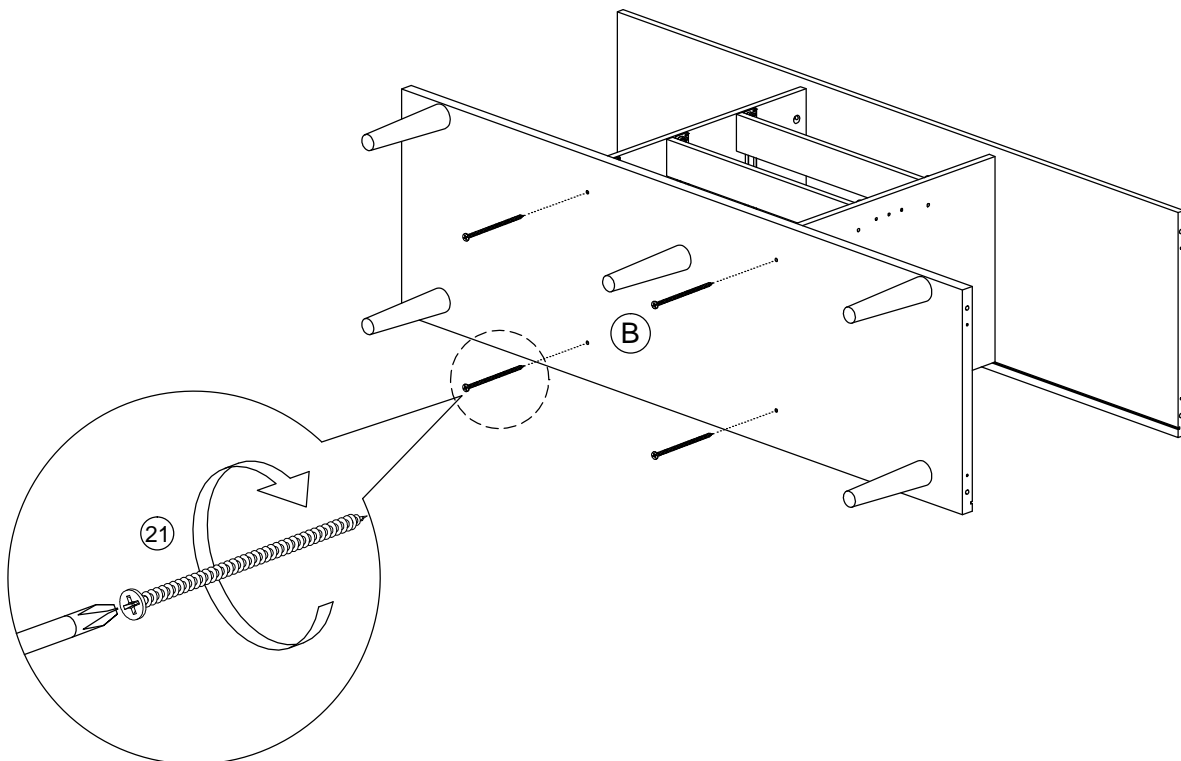


# Assembly Instruction

## STEP 6

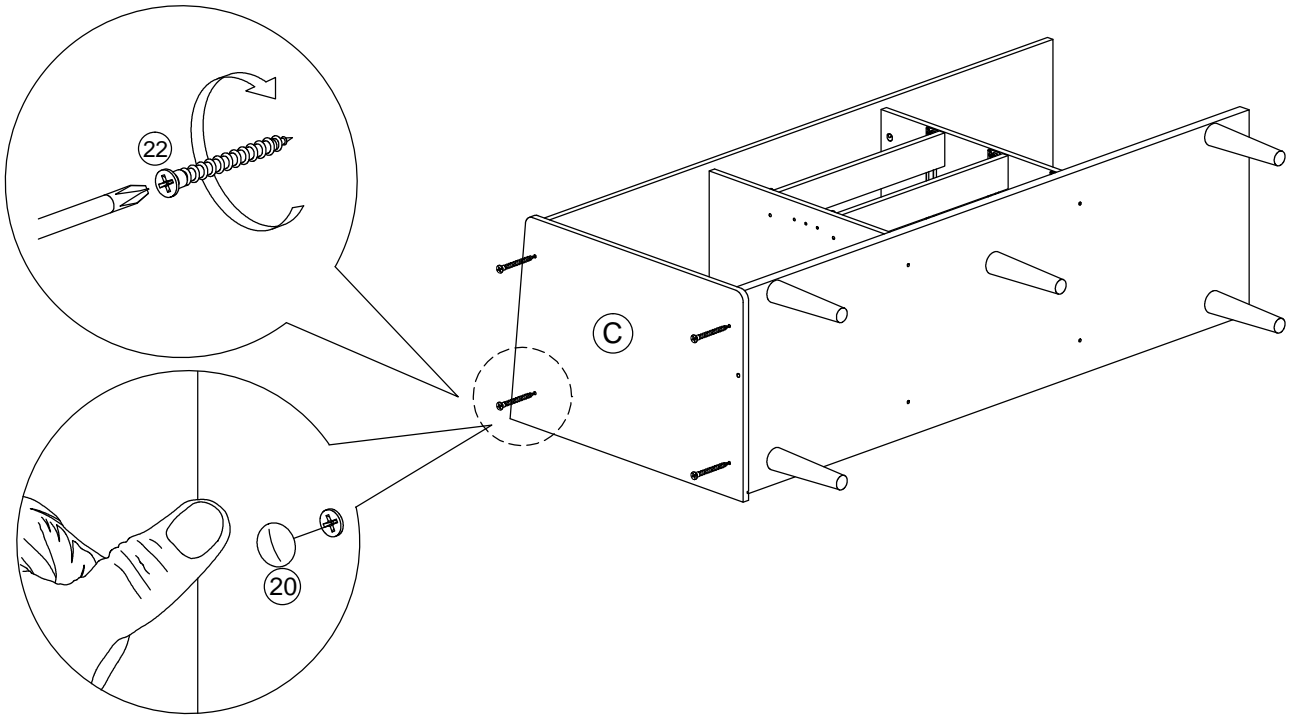


## STEP 7

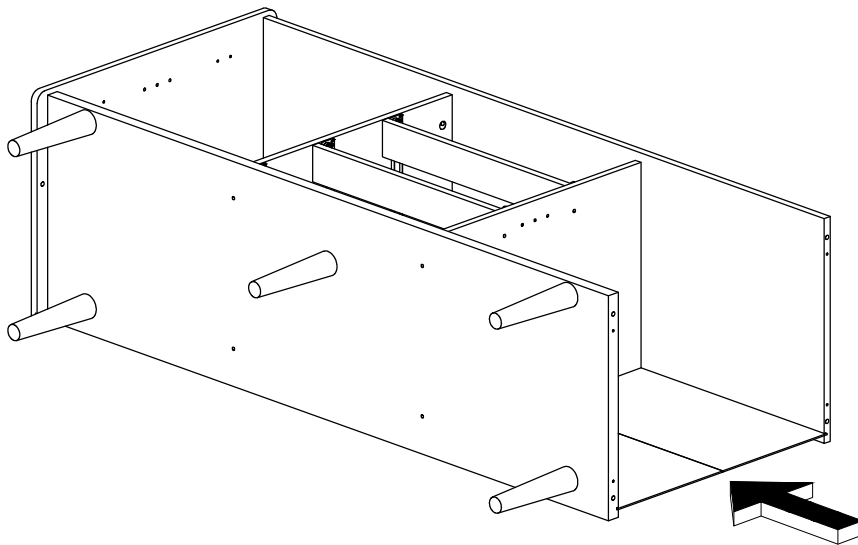


# Assembly Instruction

## STEP 8

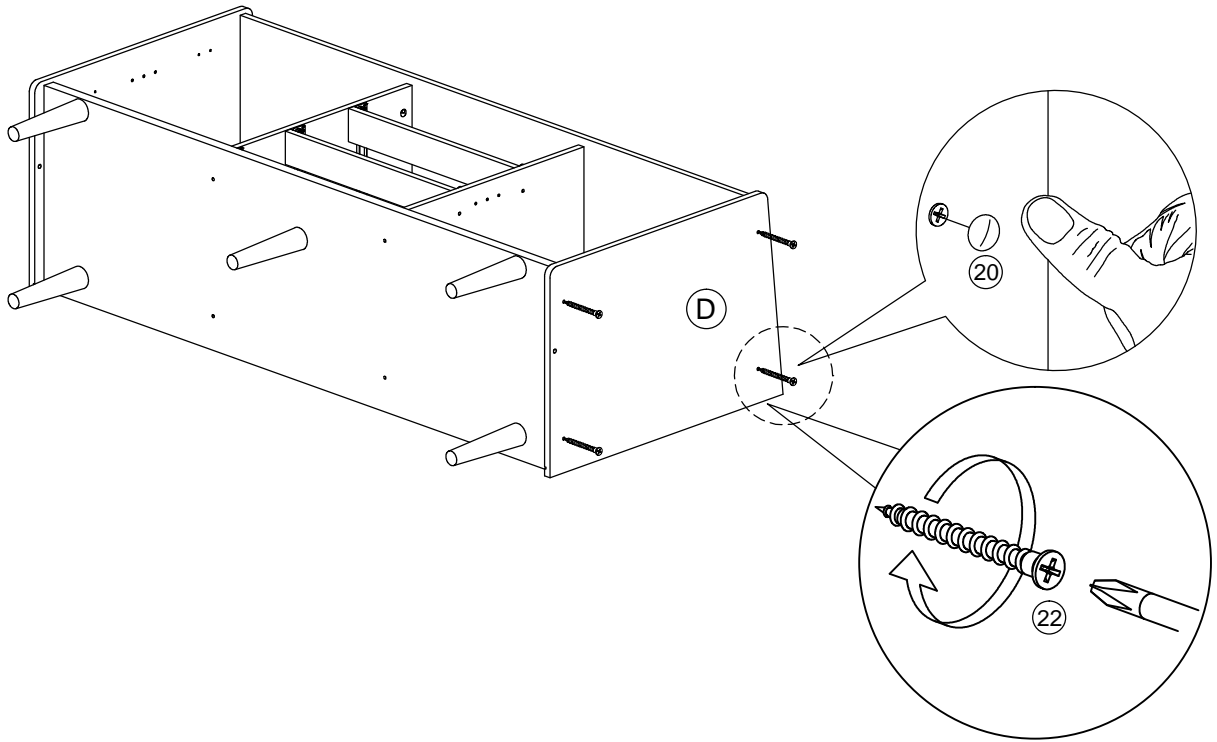


## STEP 9

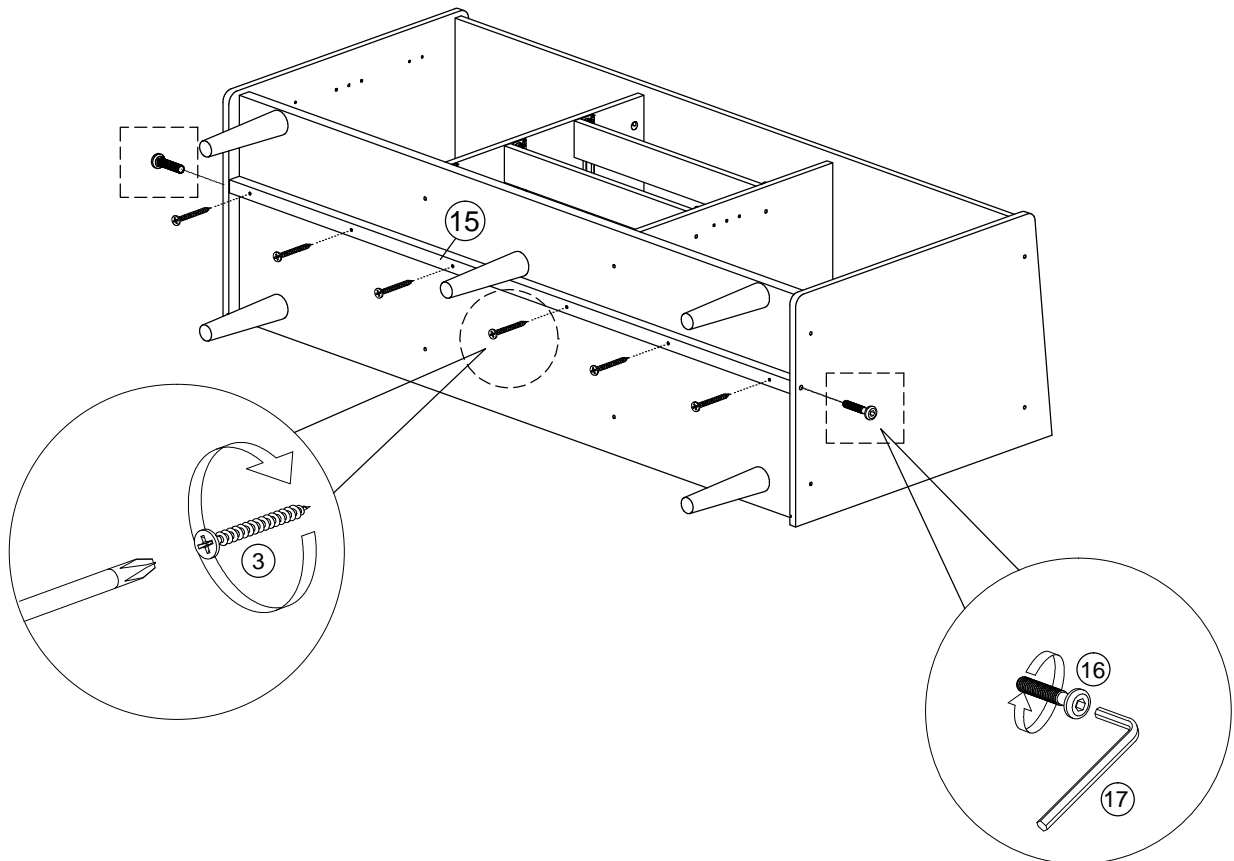


# Assembly Instruction

## STEP 10

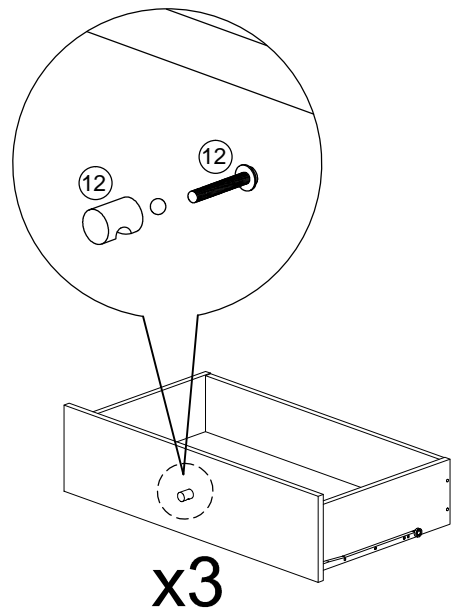
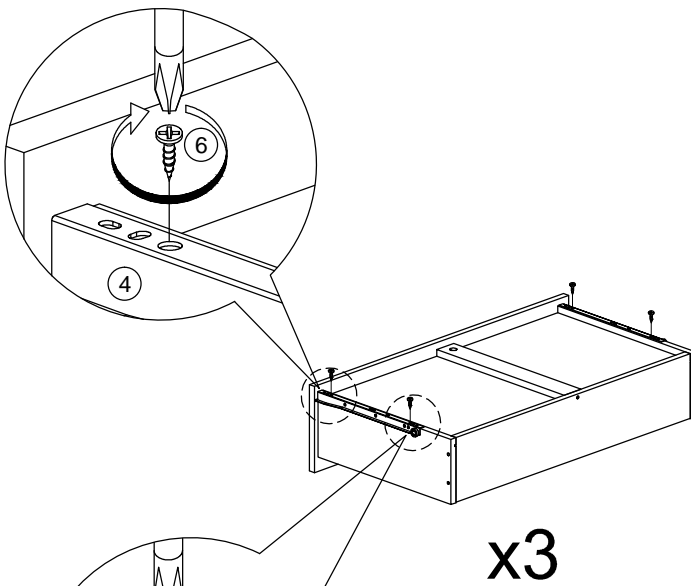
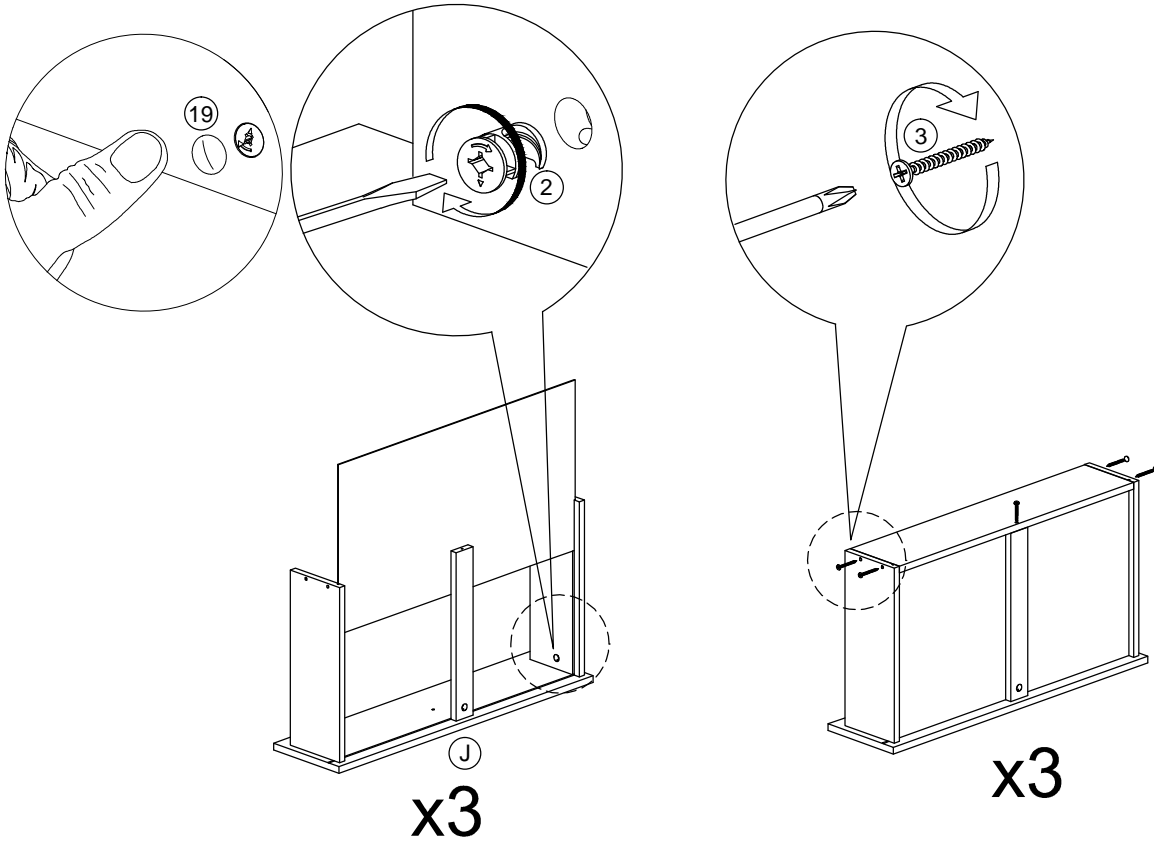


## STEP 11



# Assembly Instruction

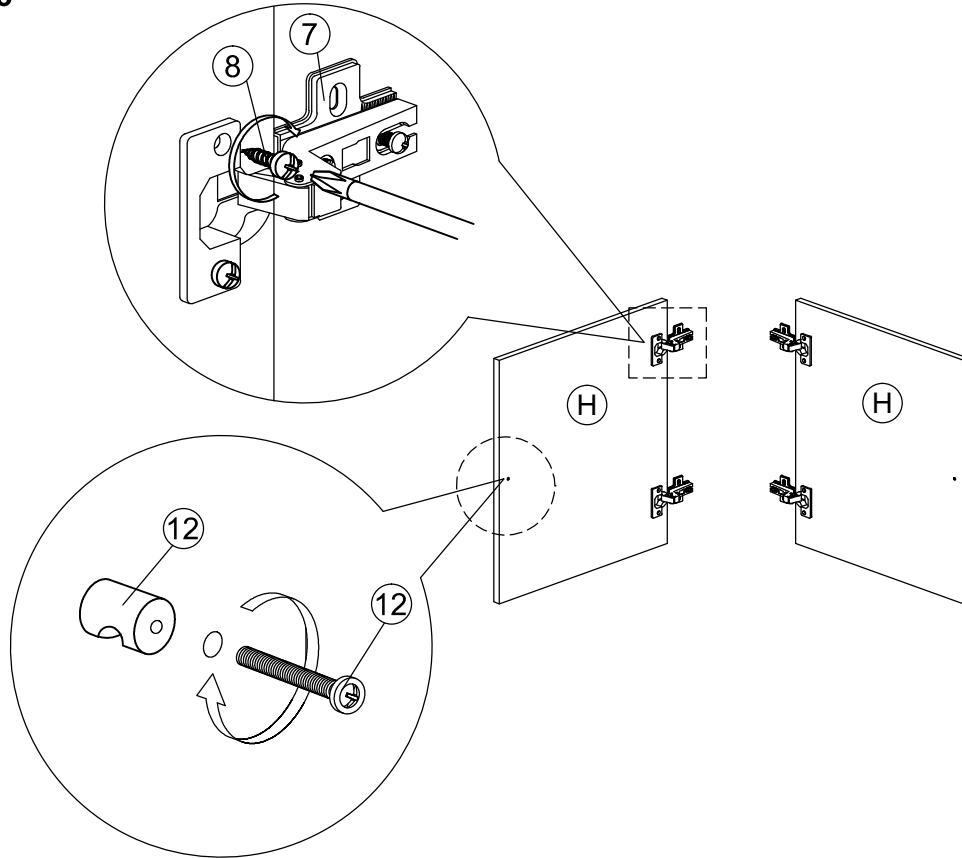
## STEP 12



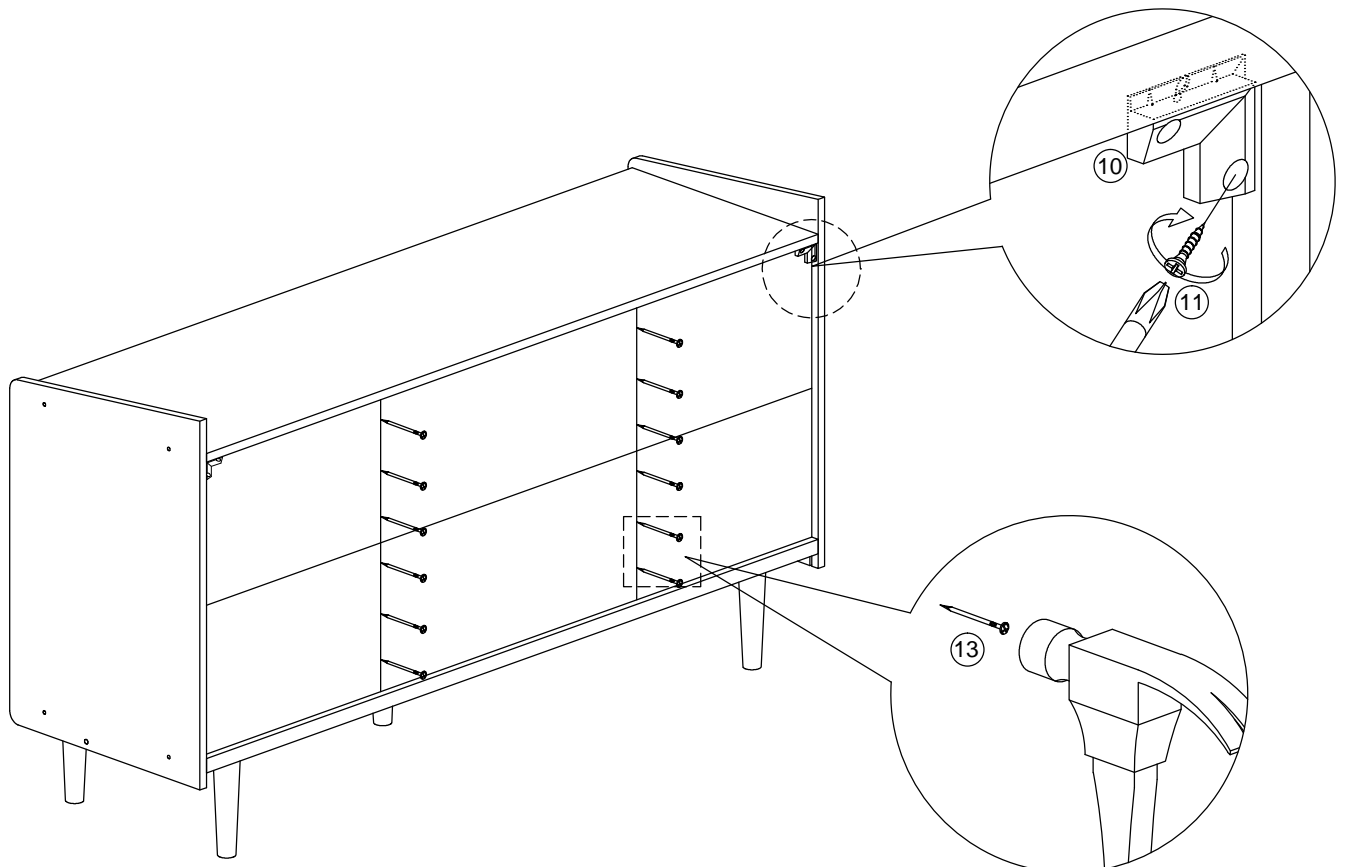


# Assembly Instruction

## STEP 13

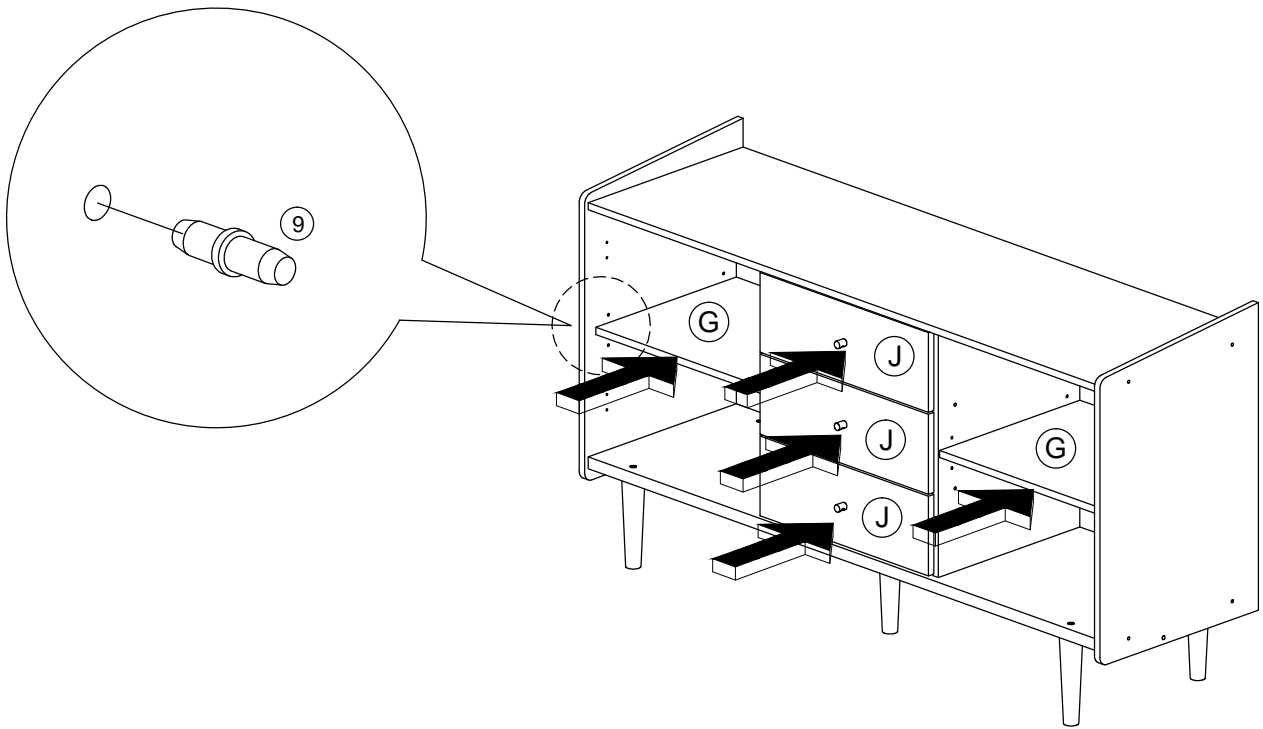


## STEP 14

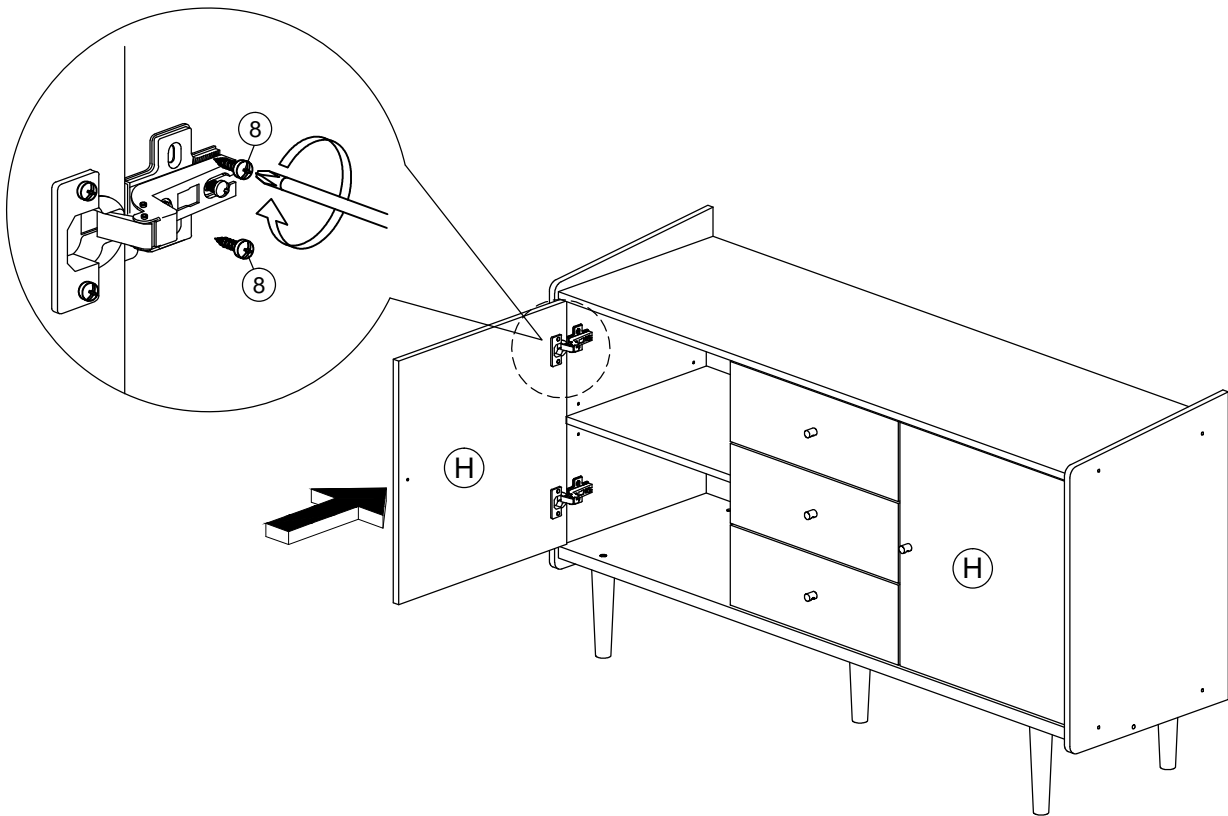


# Assembly Instruction

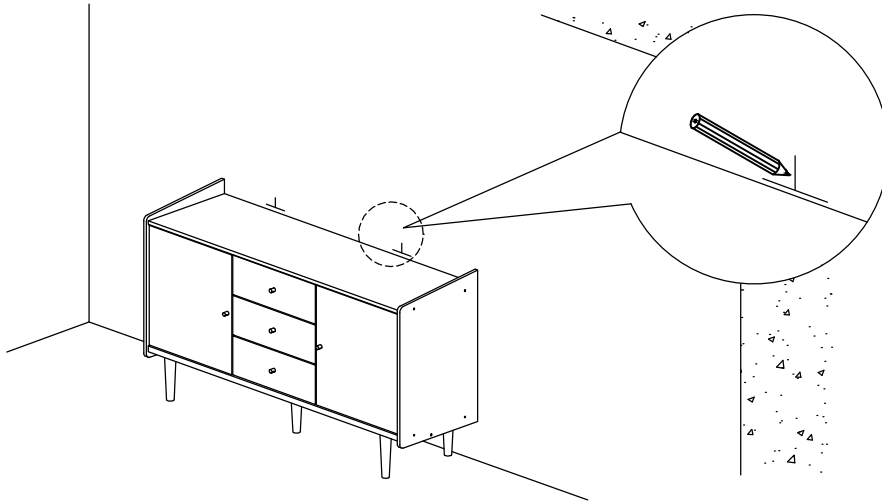
## STEP 15



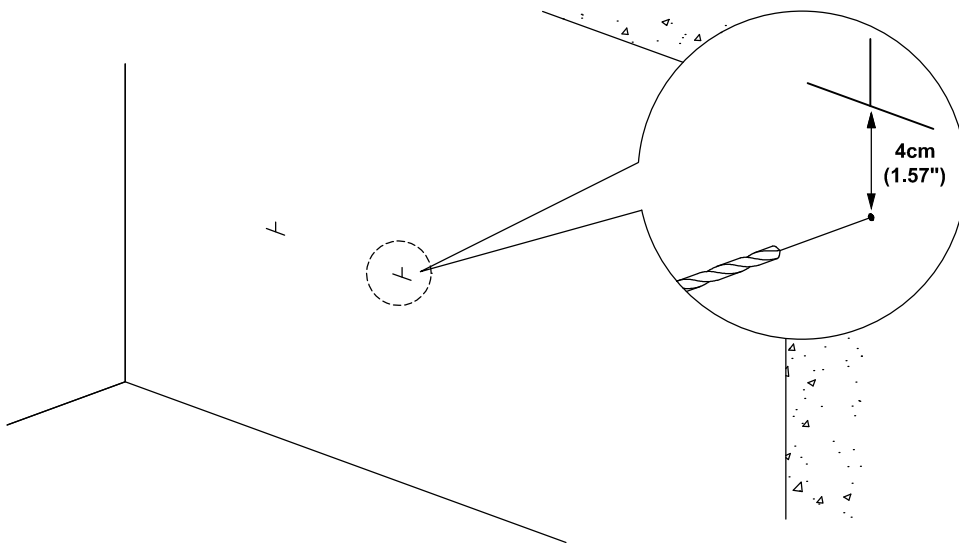
## STEP 16



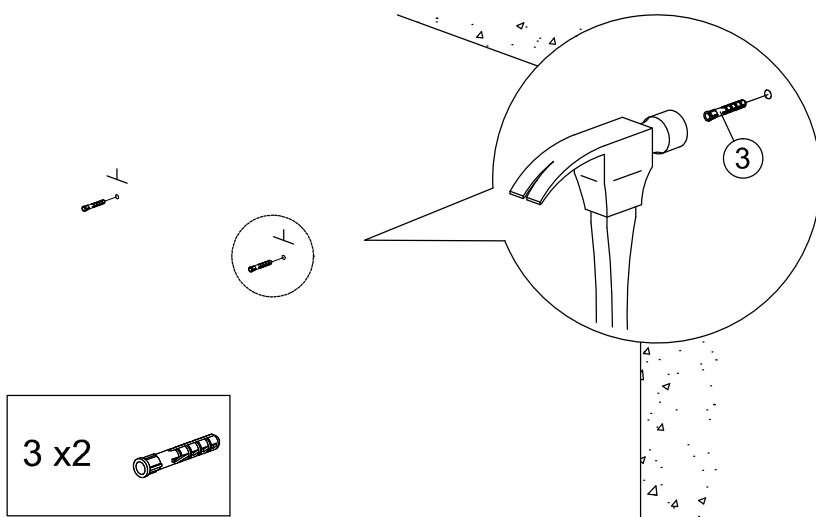
# FURNITURE TIPPING RESTRAINT



**1. First mark the wall with pencil as in diagram.**

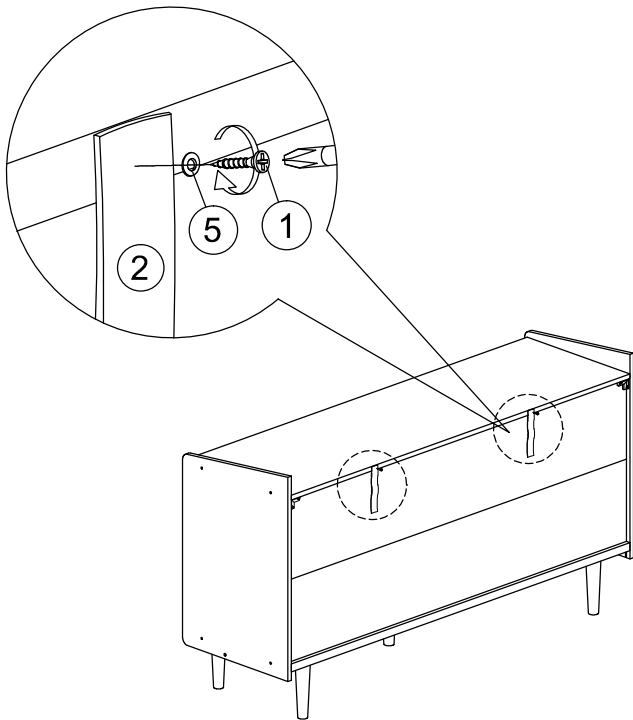


**2. Drill small hole at the pencil mark.**

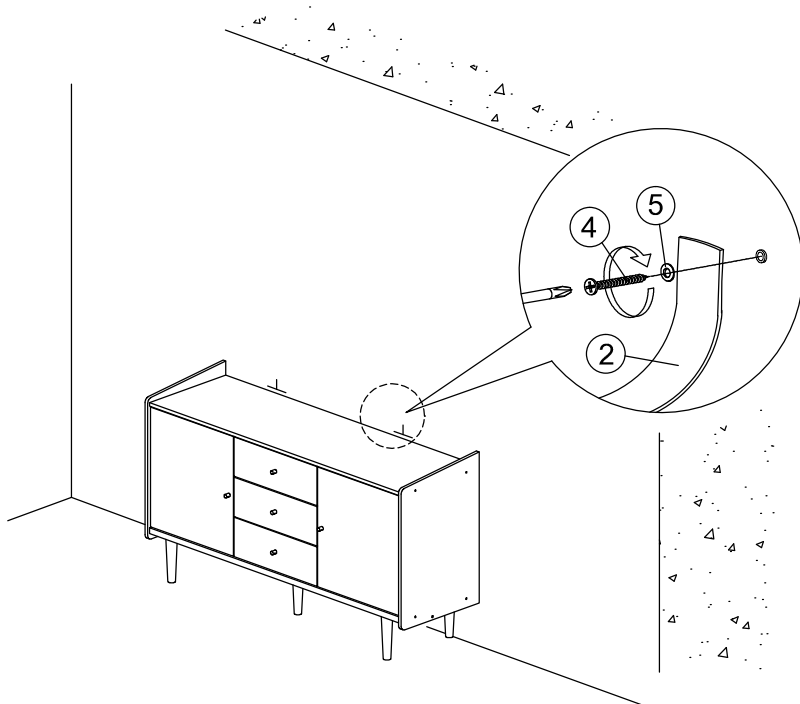
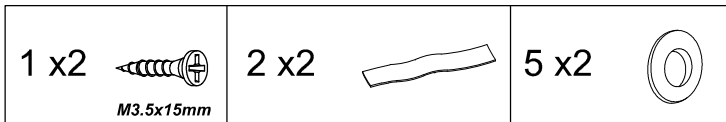


**3. Insert plastic wall plug (3).**

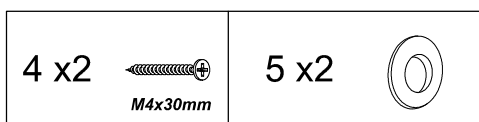
# FURNITURE TIPPING RESTRAINT

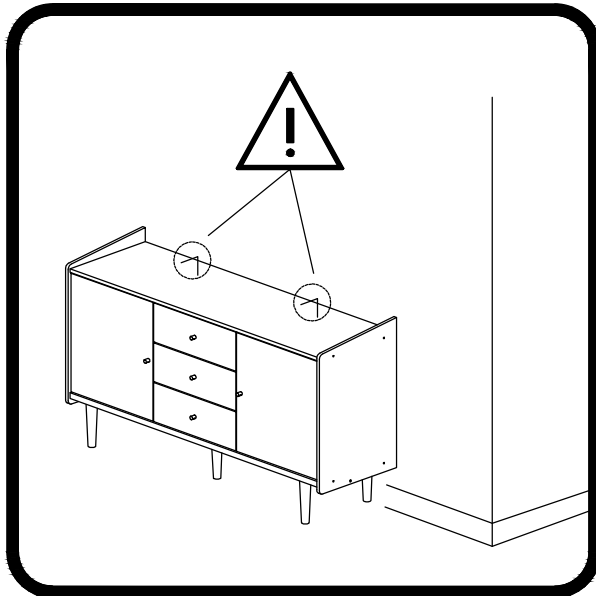




4. Add safety strap (2), washer (5) using 3.5x15mm screw (1) to back of cabinet.



5. Finally, attach safety strap (2) and washer (5) using 4x30mm screw (4) to the wall.





<b>! WARNING</b>	
	<p>Children have died from furniture tipover. To reduce the risk of furniture tipover:</p> <ul style="list-style-type: none"><li>• ALWAYS install tipover restraint provided.</li><li>• NEVER put a TV on this product.</li><li>• NEVER allow children to stand, climb or hang on drawers, doors, or shelves.</li><li>• NEVER open more than one drawer at a time.</li><li>• Place heaviest items in the lowest drawers.</li></ul> <p><i>This is a permanent label. Do not remove!</i></p>
	



**Anti-Topple hardware included for added safety and stability**