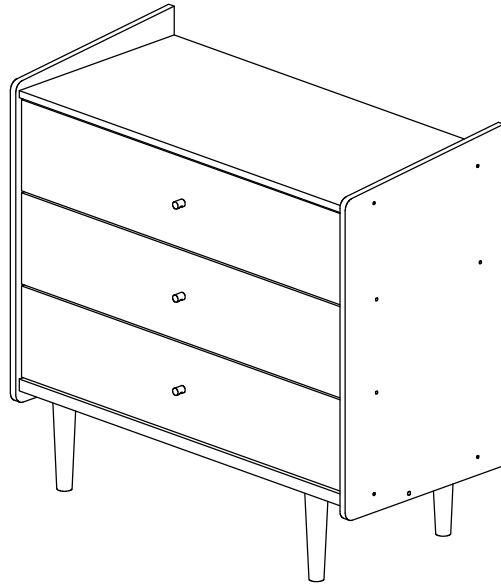
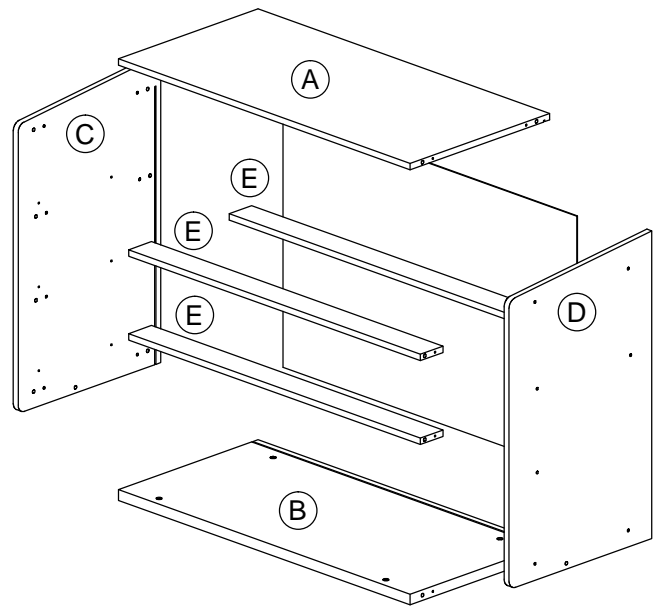
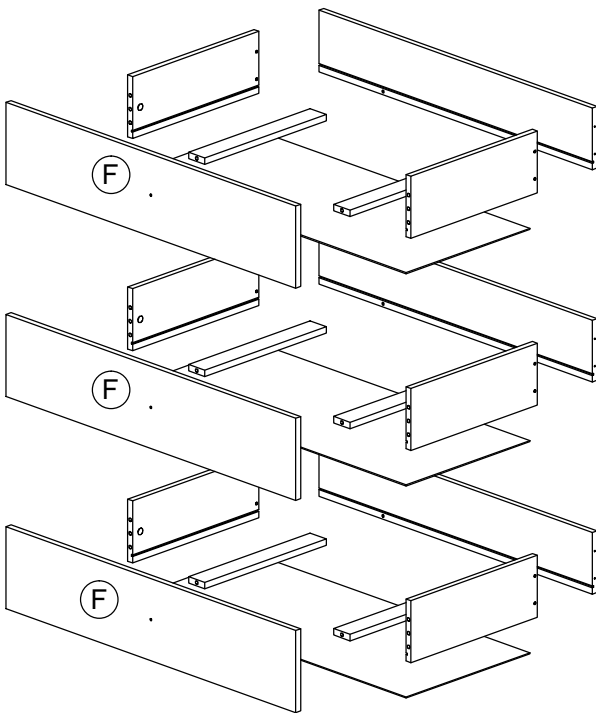


Assembly Instruction

Model: WI11021


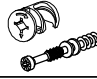



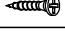
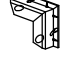



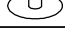



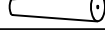


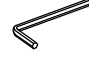

Part List



Assembly Instruction

Hardware List

No.	SHAPE	DESCRIPTION	Qty.
1		8x25mm Wood Dowel	26 Pcs
2		15MM Myfix Minifix	12 Sets
3		M4x38mm Screw	23 Pcs
4		Drawer Slide = 300mm	3 Sets
5		M5x8mm Screw (Euro Screw)	12 Pcs
6		M3.5x16mm Screw	18 Pcs
7		Z Bracket	2 Pcs
8		M3x16mm Screw	4 Pcs
9		Handle Wood Ø15x20mm Handle Screw (M4 x 25mm)	3 Sets
10		M6x50mm Screw	4 Pcs
11		15mm Minifix Cap	6 Pcs
12		Screw Cap	14 Pcs

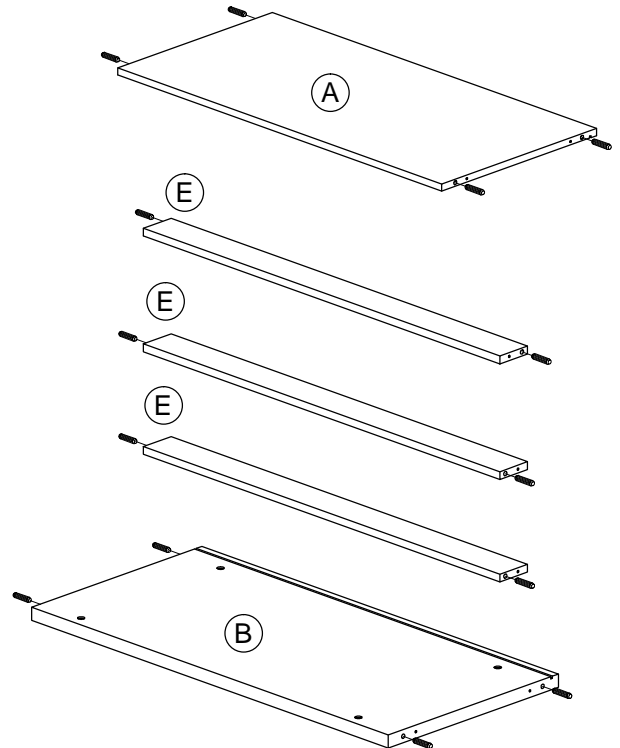
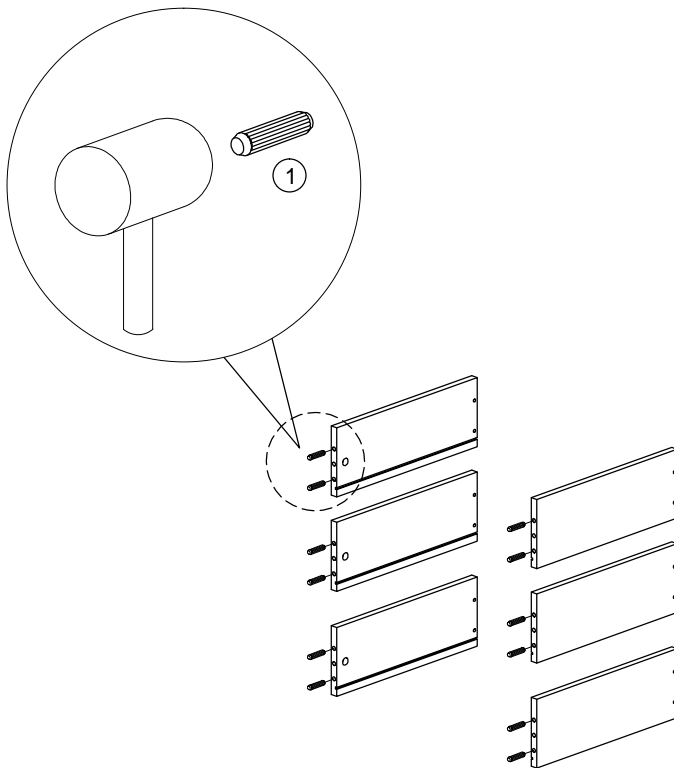
13		Wooden Leg Ø46 x 30mm (H 185mm)	4Pcs
14		Metal Crossbar 900 x 25 x 25	1 Pc
15		JCBC - Blot M6x40mm	2Pcs
16		L Key	1Pc
17		M5x40mm Screw	14Pcs

Packing Tipping Restraint

Hardware List

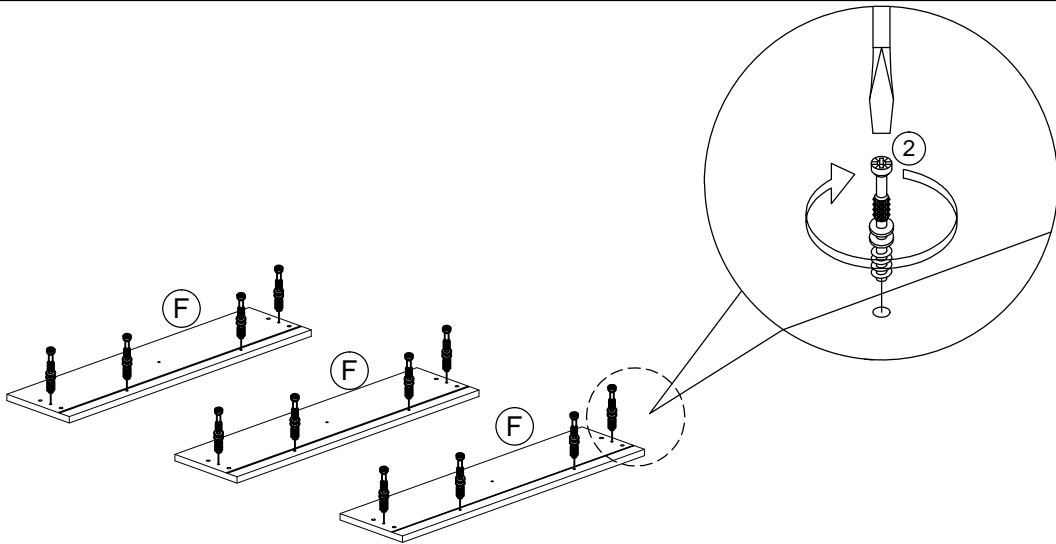
No.	SHAPE	DESCRIPTION	Qty.
1		M3.5x15mm Screw	2Pcs
2		Safety Strap	2Pcs
3		Wall Plug	2Pcs
4		M4x30mm Screw	2Pcs
5		Flat Washer 6x19x2mm	4Pcs

STEP 1

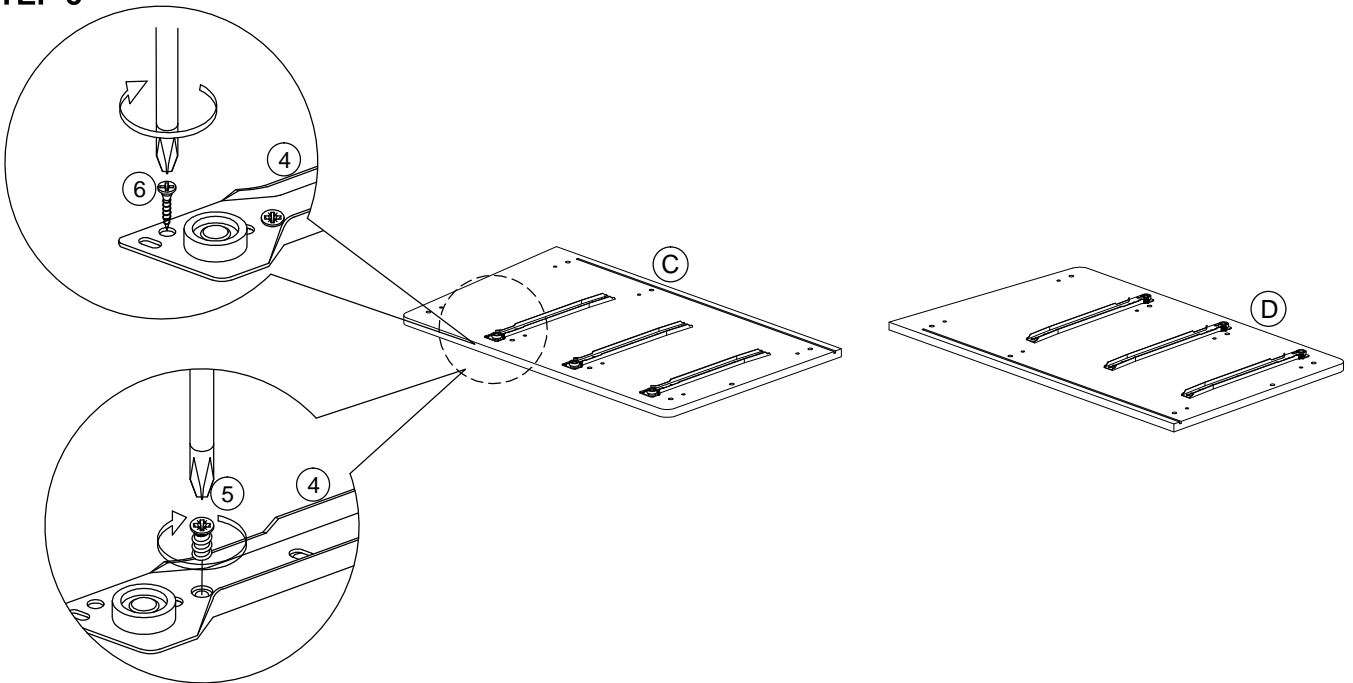


Assembly Instruction

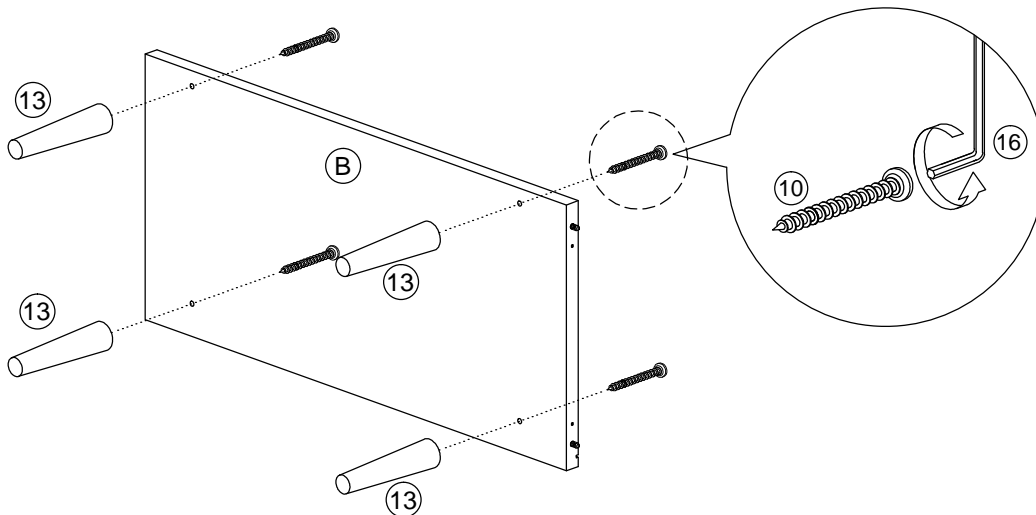
STEP 2



STEP 3

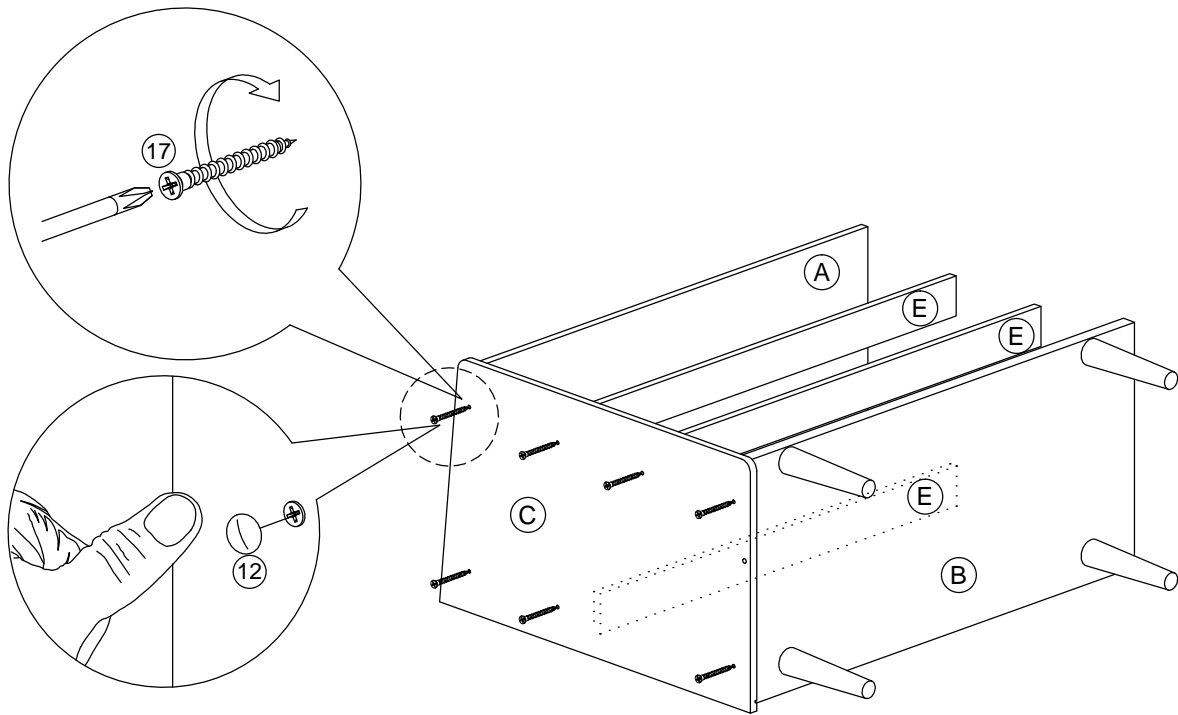


STEP 4

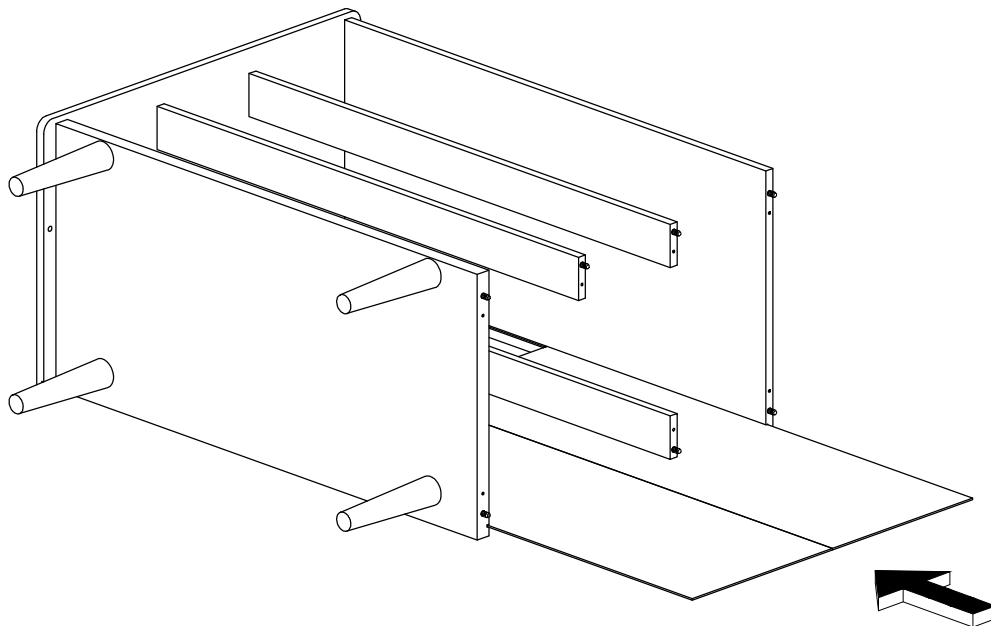


Assembly Instruction

STEP 5

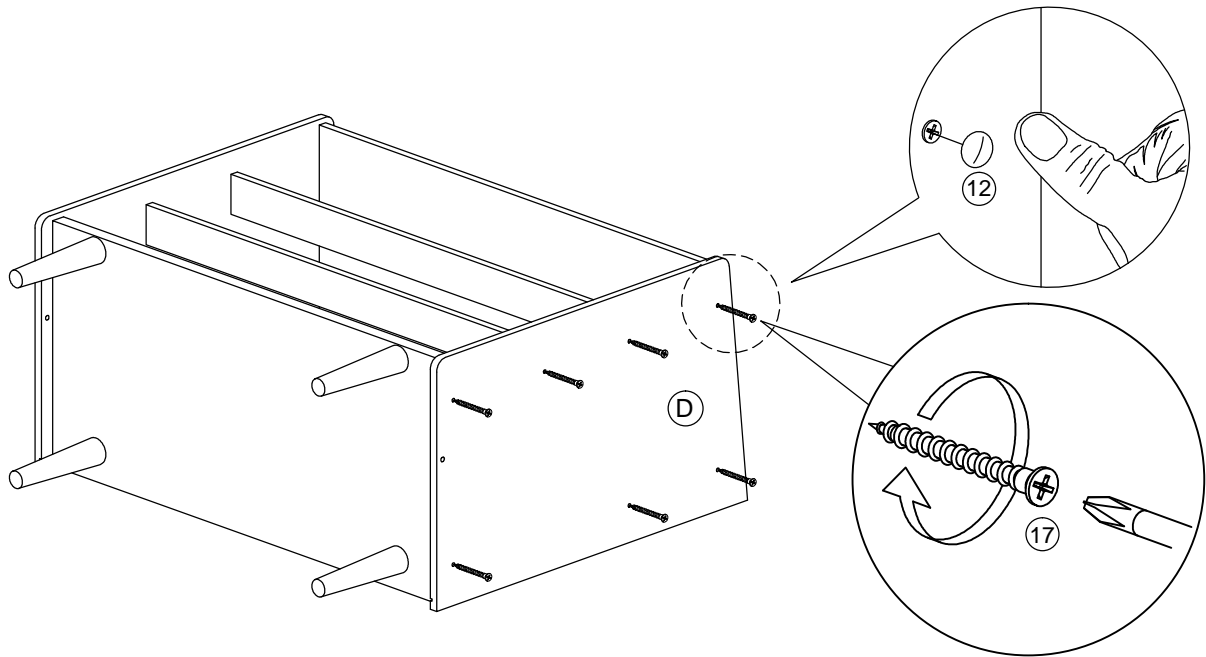


STEP 6

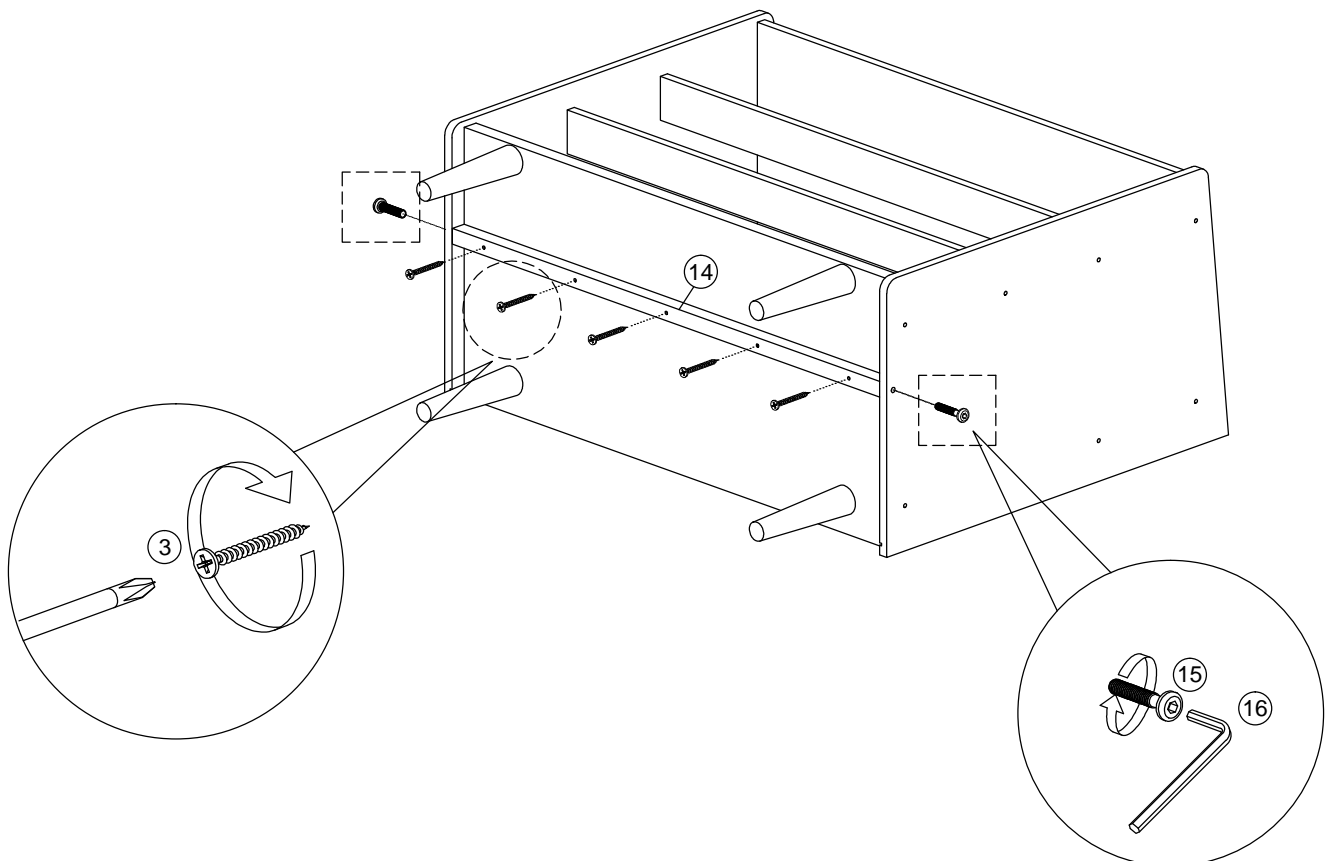


Assembly Instruction

STEP 7

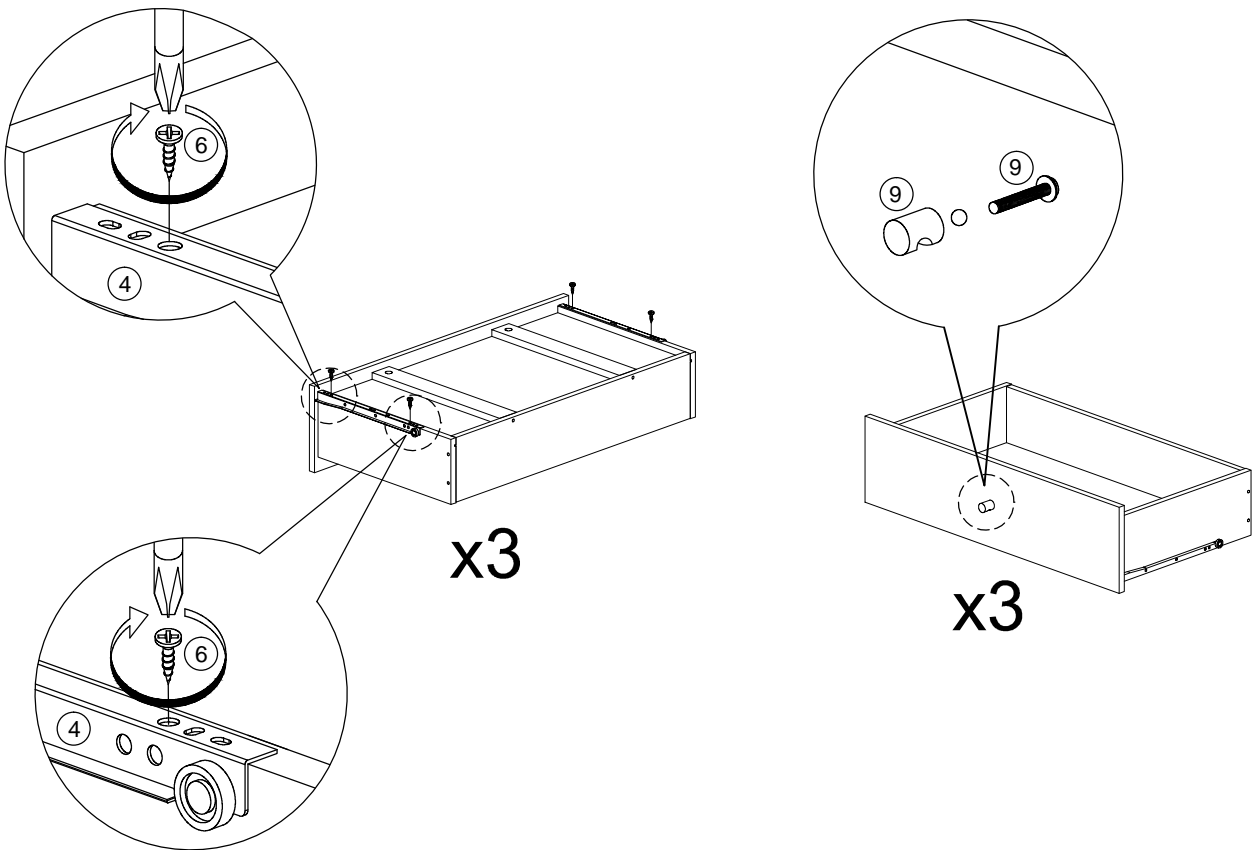
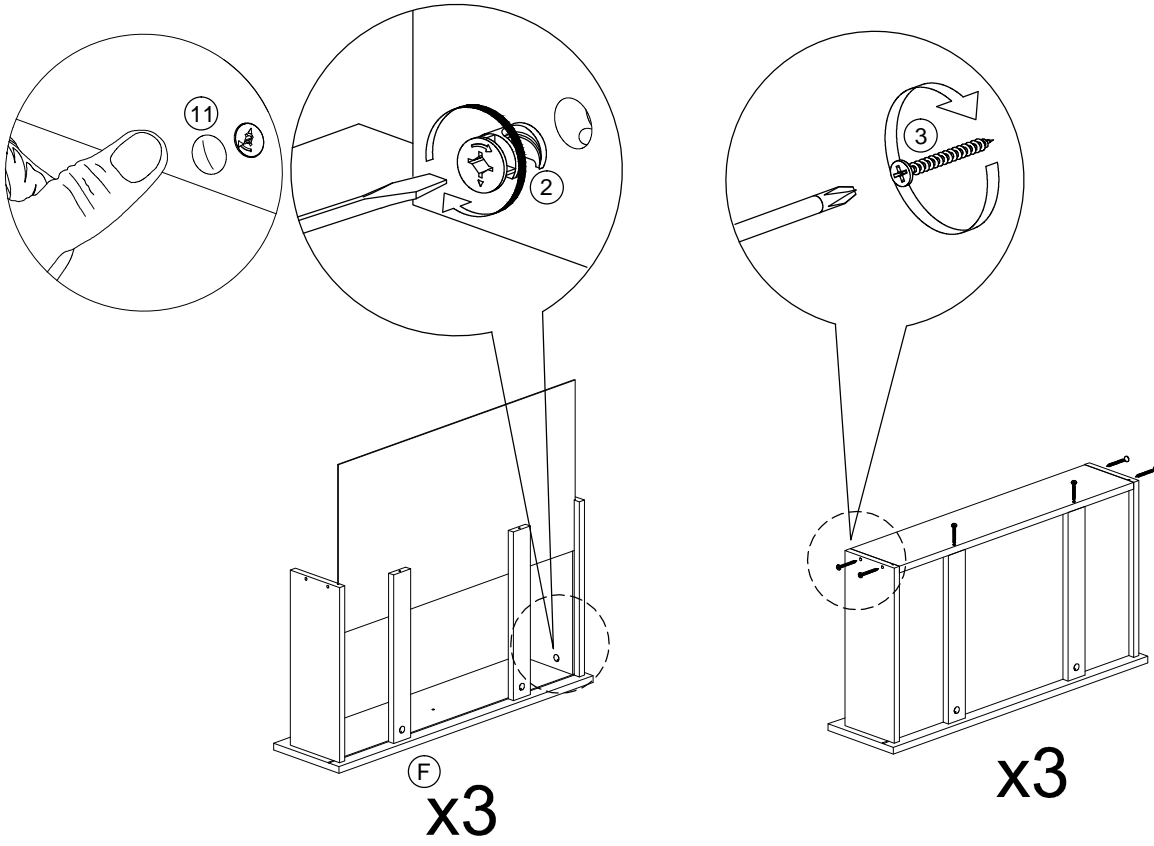


STEP 8



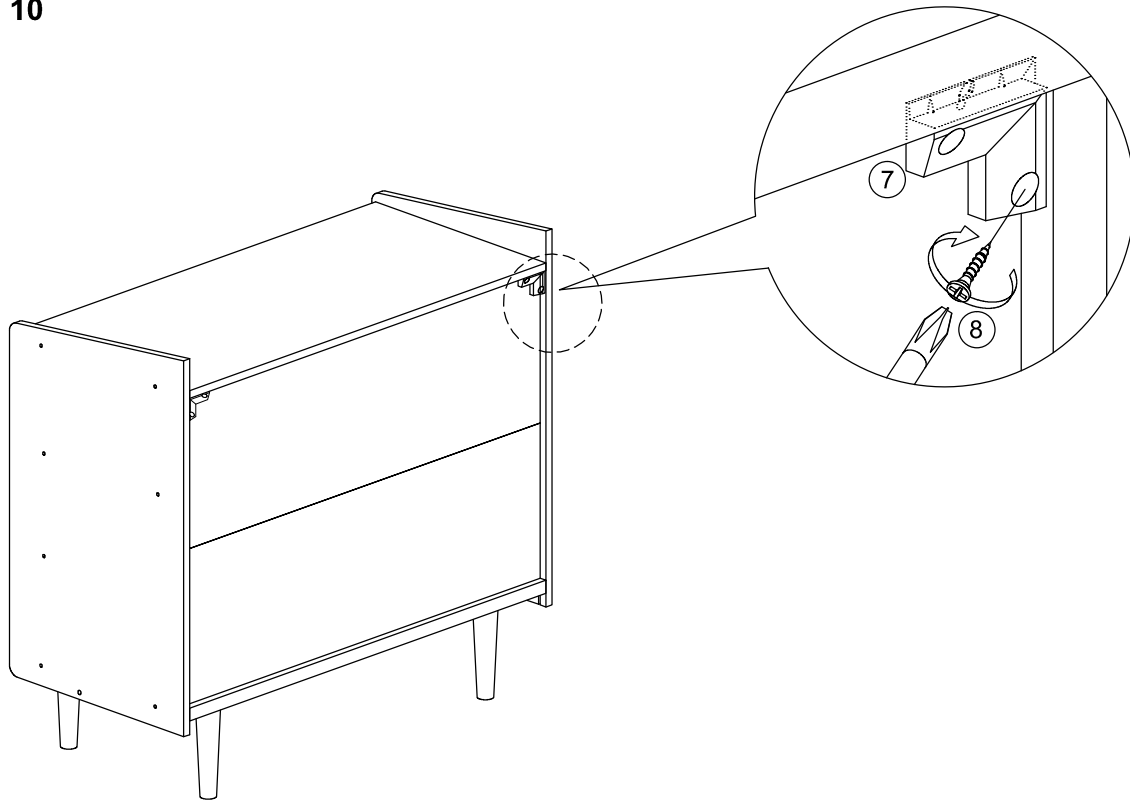
Assembly Instruction

STEP 9

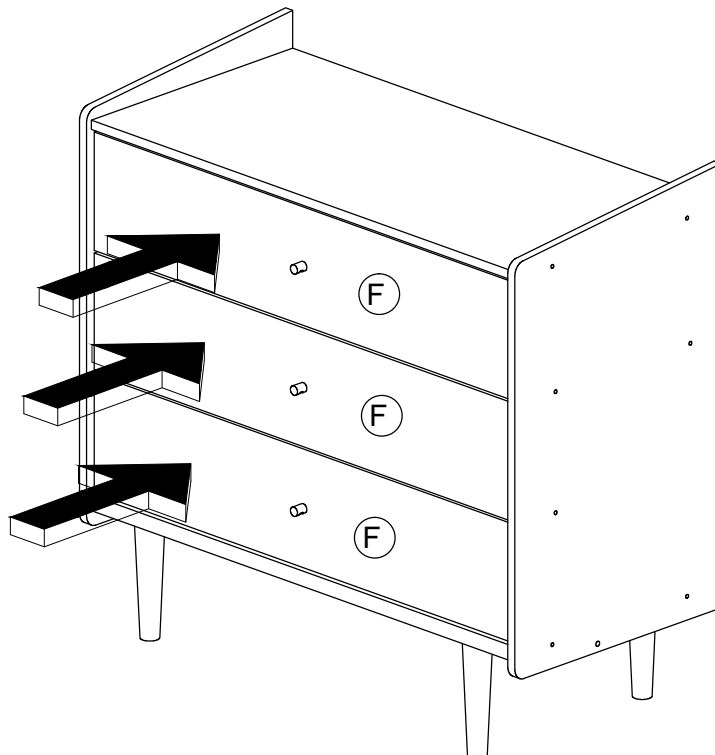


Assembly Instruction

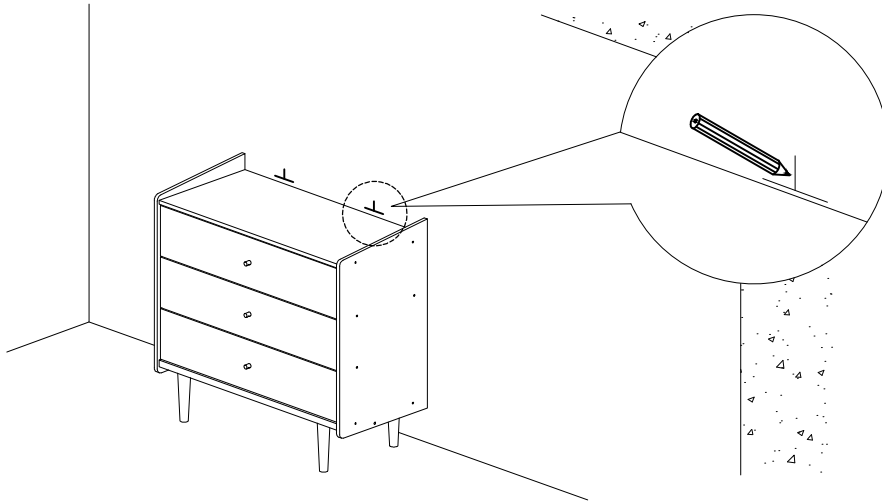
STEP 10



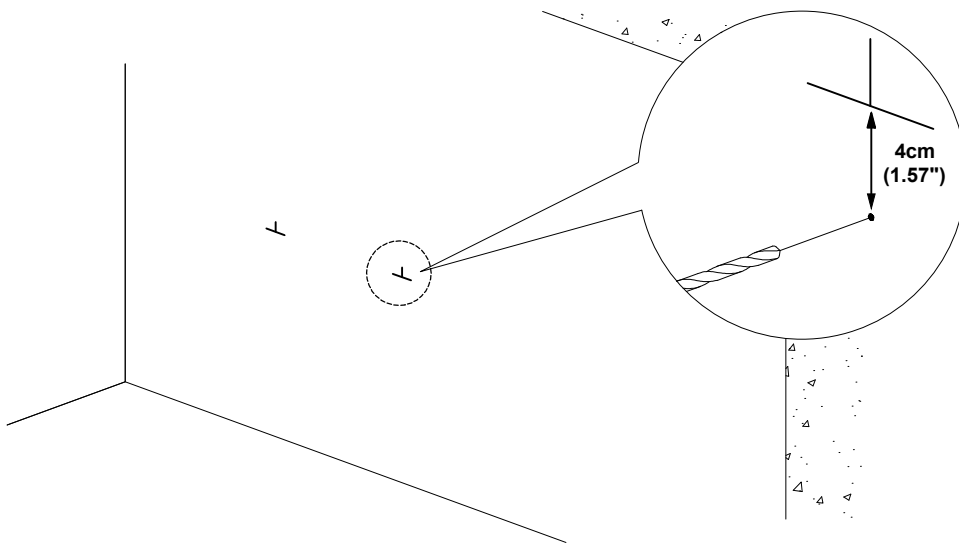
STEP 11



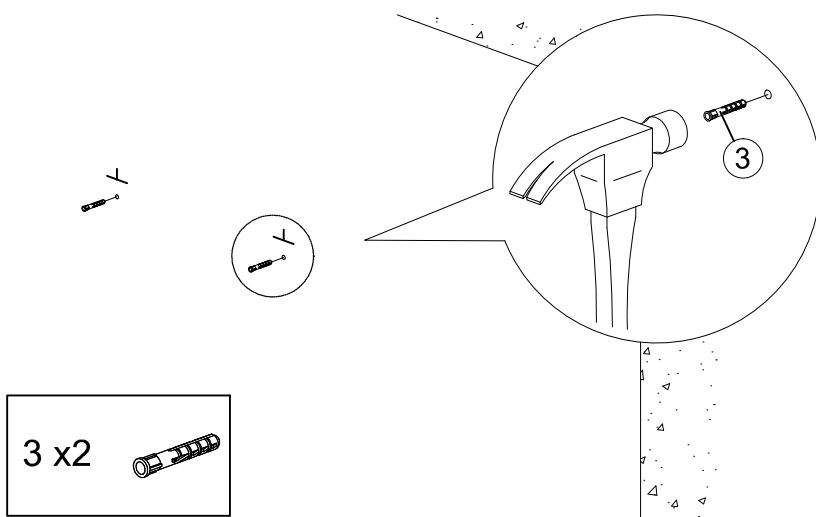
FURNITURE TIPPING RESTRAINT



1. First mark the wall with pencil as in diagram.

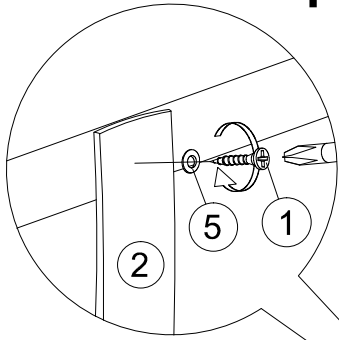


2. Drill small hole at the pencil mark.

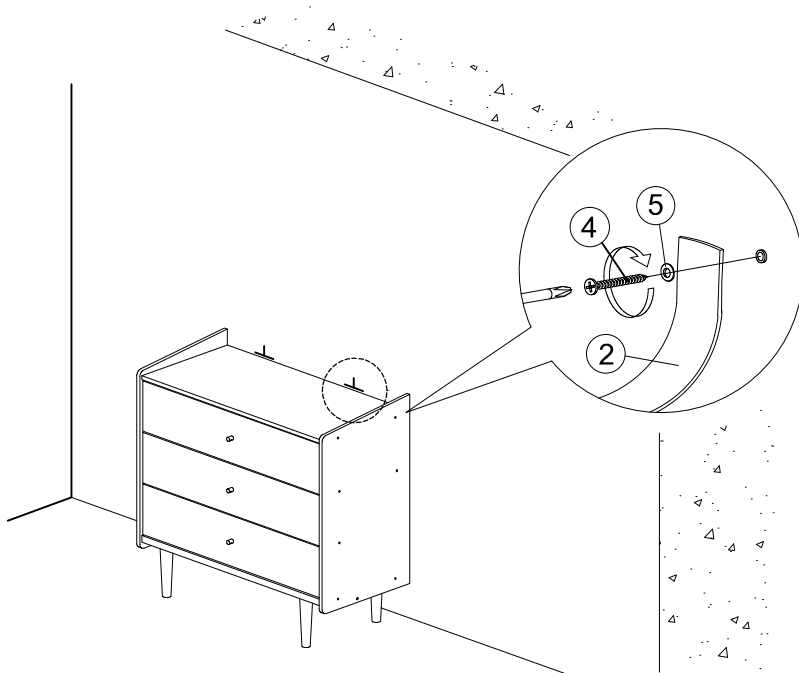
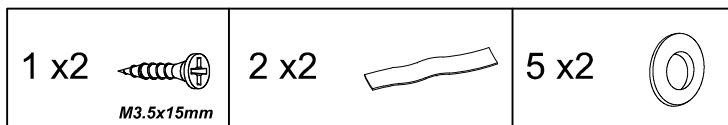
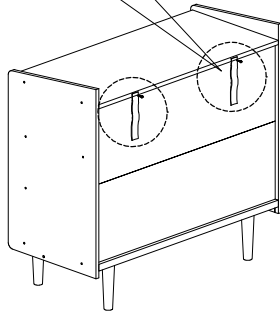


3. Insert plastic wall plug (3).

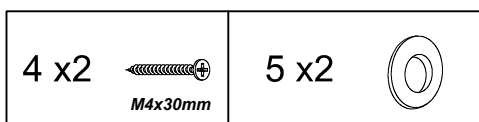
FURNITURE TIPPING RESTRAINT

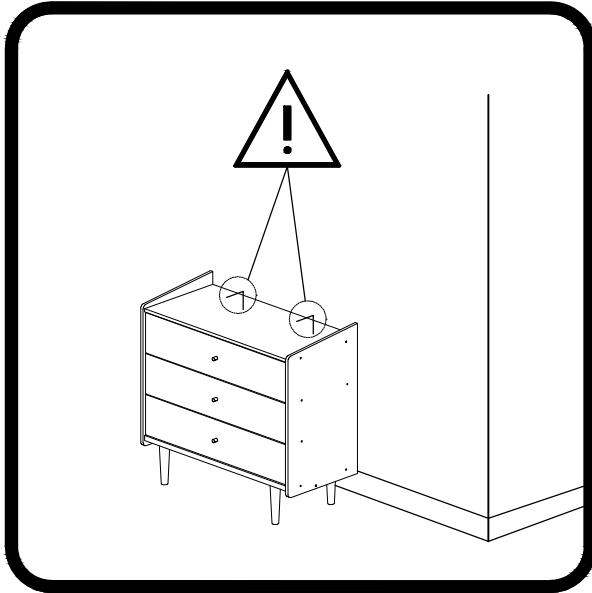



4. Add safety strap (2), washer (5) using 3.5x15mm screw (1) to back of cabinet.



5. Finally, attach safety strap (2) and washer (5) using 4x30mm screw (4) to the wall.





⚠ WARNING	
	<p>Children have died from furniture tipover. To reduce the risk of furniture tipover:</p> <ul style="list-style-type: none">• ALWAYS install tipover restraint provided.• NEVER put a TV on this product.• NEVER allow children to stand, climb or hang on drawers, doors, or shelves.• NEVER open more than one drawer at a time.• Place heaviest items in the lowest drawers. <p><i>This is a permanent label. Do not remove!</i></p>
	



Anti-Topple hardware included for added safety and stability