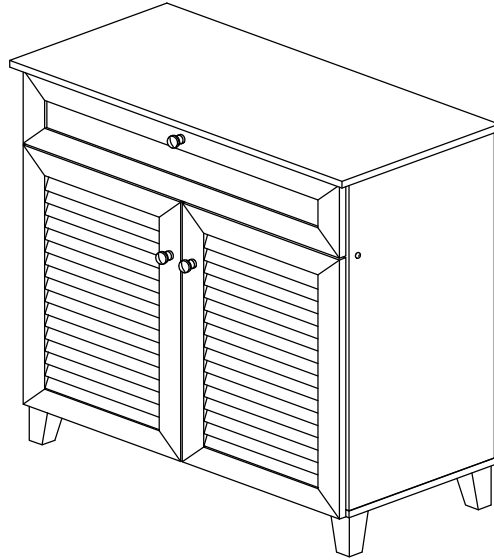
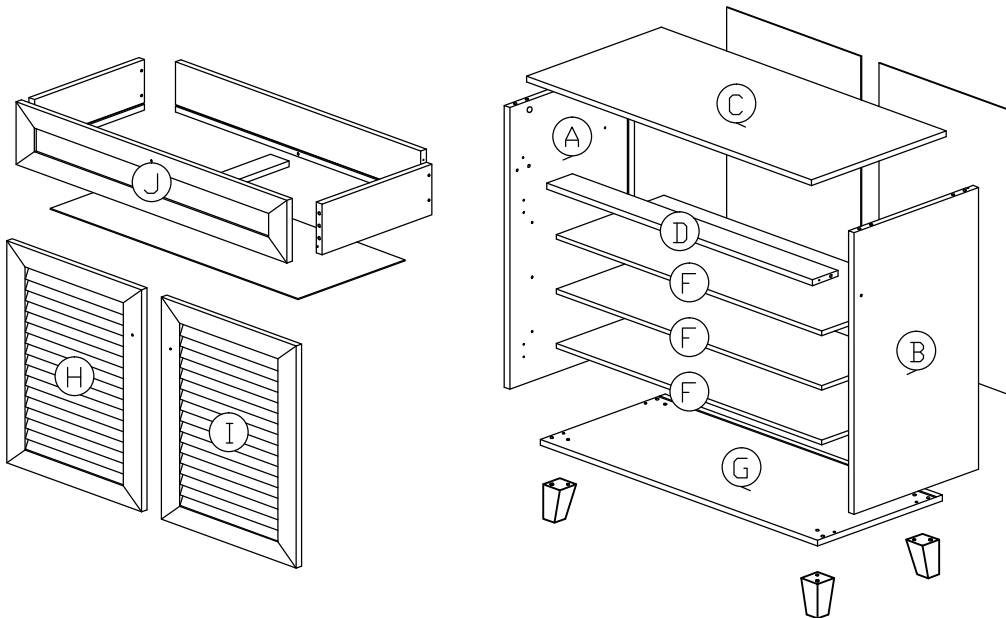


Assembly Instruction

Model : WI5305



Part List



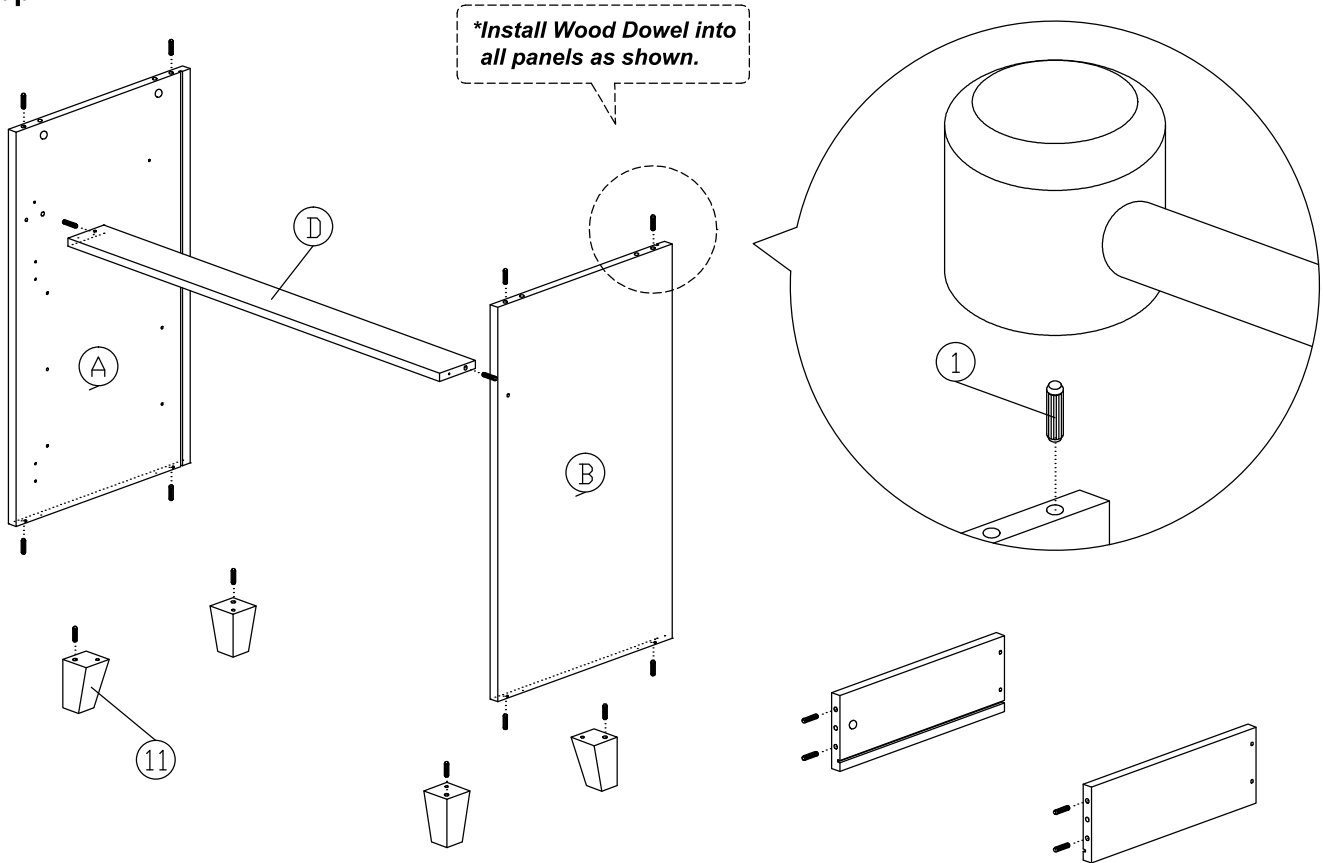
Hardware List

No.	SHAPE	DESCRIPTION	Qty.
1		8x25mm Wood Dowel	18Pcs
2		15MM Titus Mini Fix	7Sets
3		M5x8mm Screw (Euro Screw)	4Pcs
4		TP 10#x1/2" Screw	16Pcs
5		M3.5x15mm Screw	4Pcs
6		M3x16mm Screw	4Pcs
7		M4x38mm Screw	11Pcs
8		M7x40mm Screw	4Pcs
9		Shelf Support	12Pcs

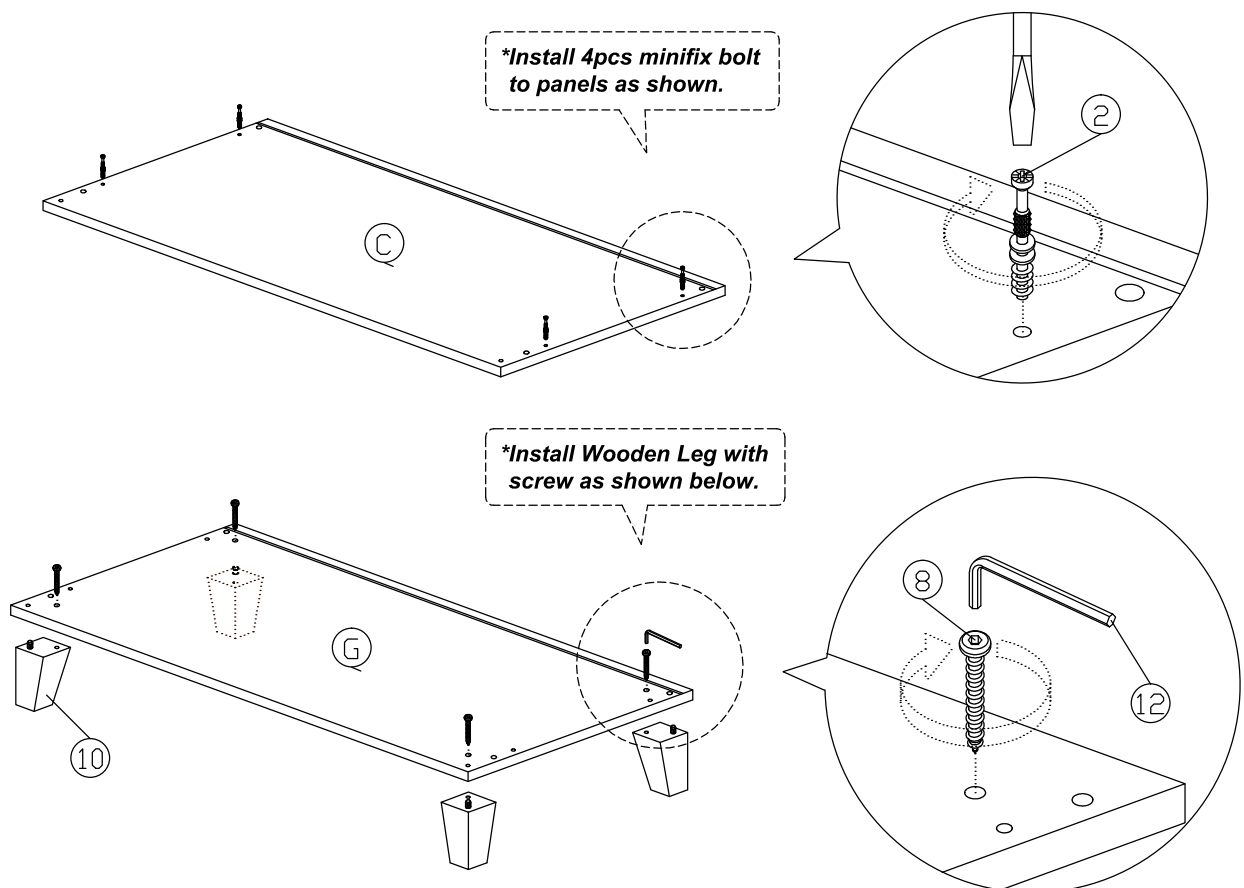
10		Handle (9988) M4x25mm (Handle Screw)	3Sets
11		Wooden Leg	4Pcs
12		L Key	1Pc
13		Z Bracket	2Pcs
14		Hinges (F012)	4Sets
15		Drawer Slide = 300mm	1Set
16		15mm Minifix Cap	2Pcs
17		Screw Cap	2Pcs

Assembly Instruction

Step 1

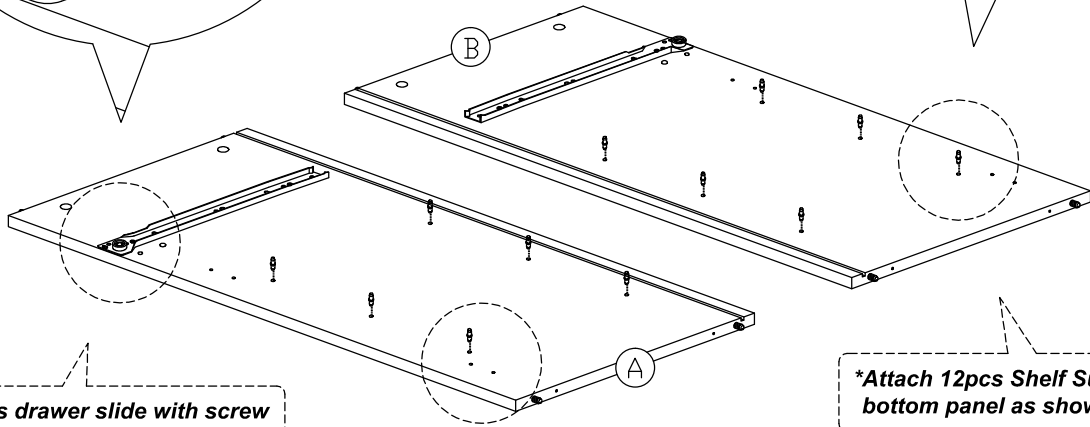
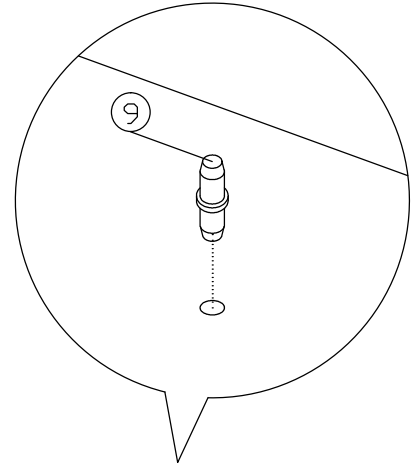
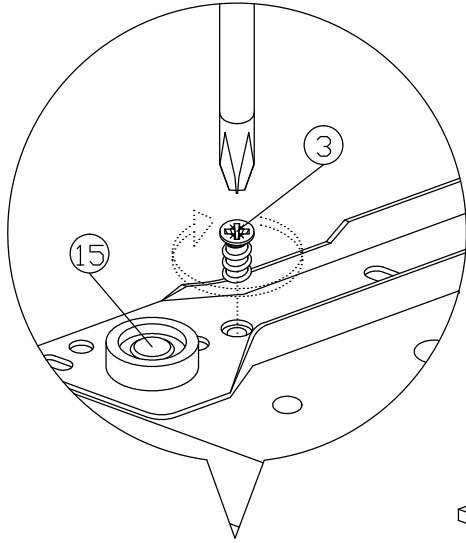


Step 2



Assembly Instruction

Step 3

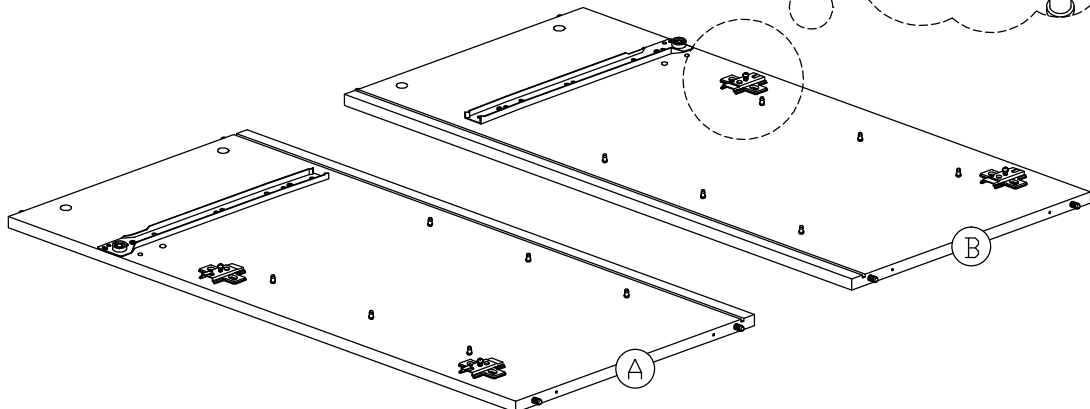
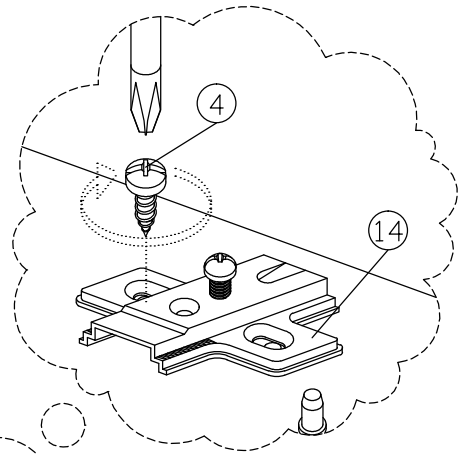


**Install 2pcs drawer slide with screw to both side panels as shown.*

**Attach 12pcs Shelf Support to bottom panel as shown below.*

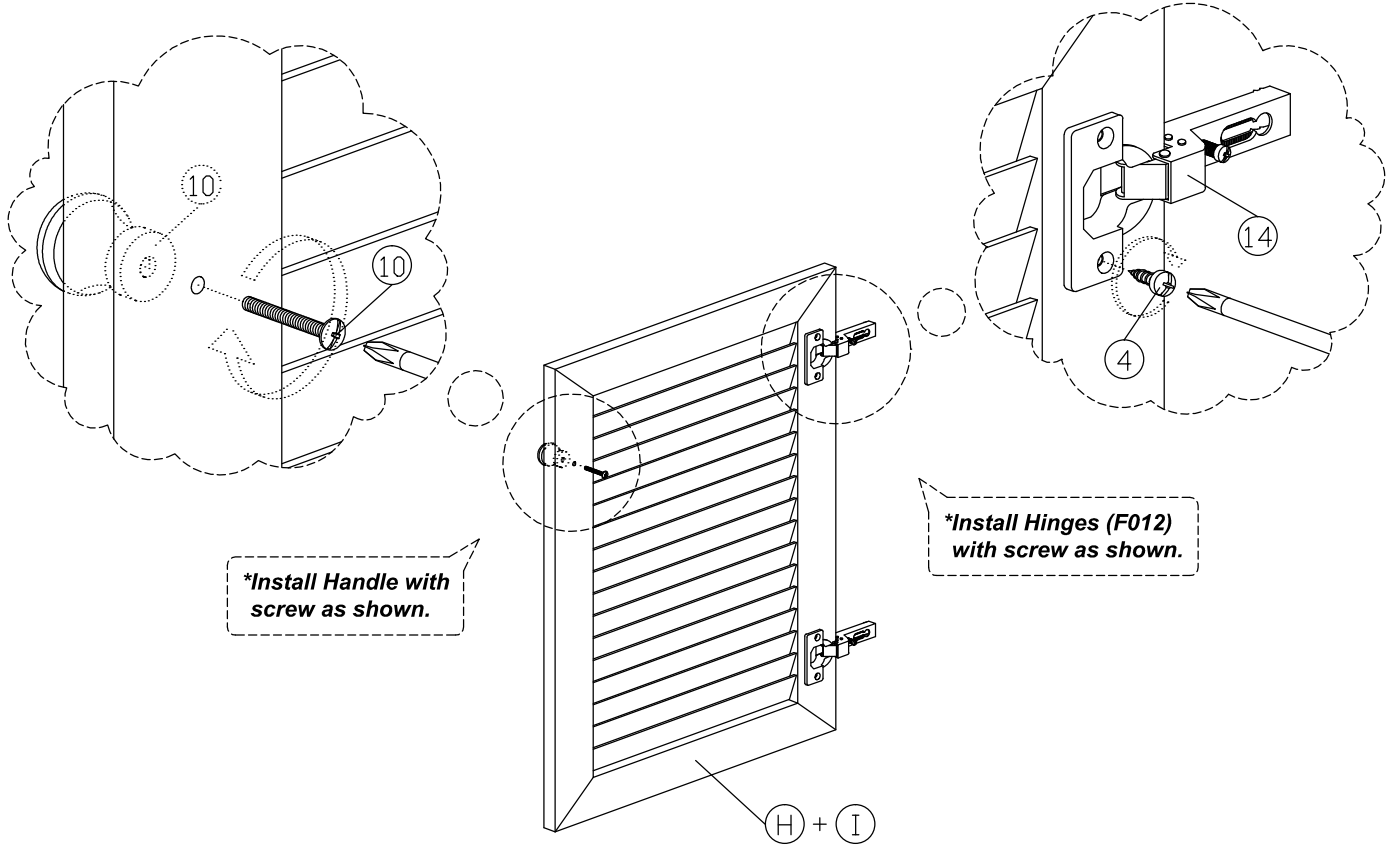
Step 4

**Install 4pcs hinge to both side panels with screw as shown.*

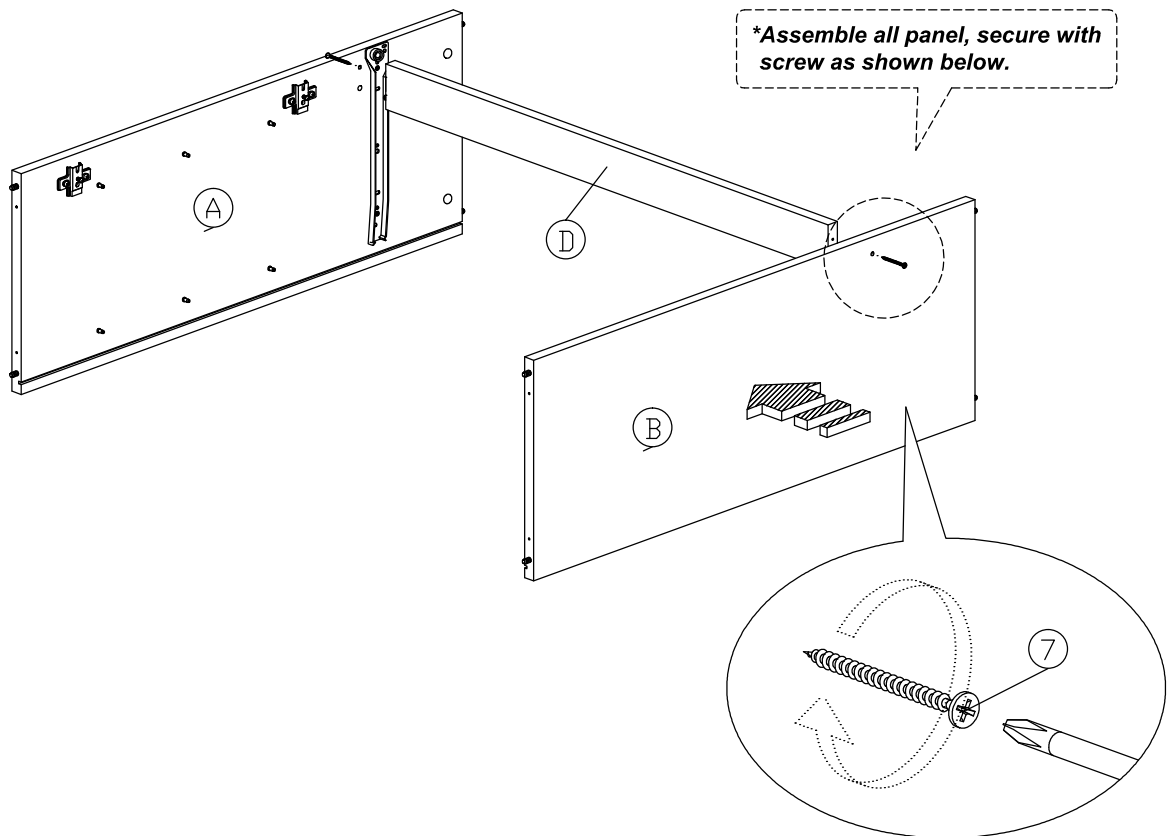


Assembly Instruction

Step 5

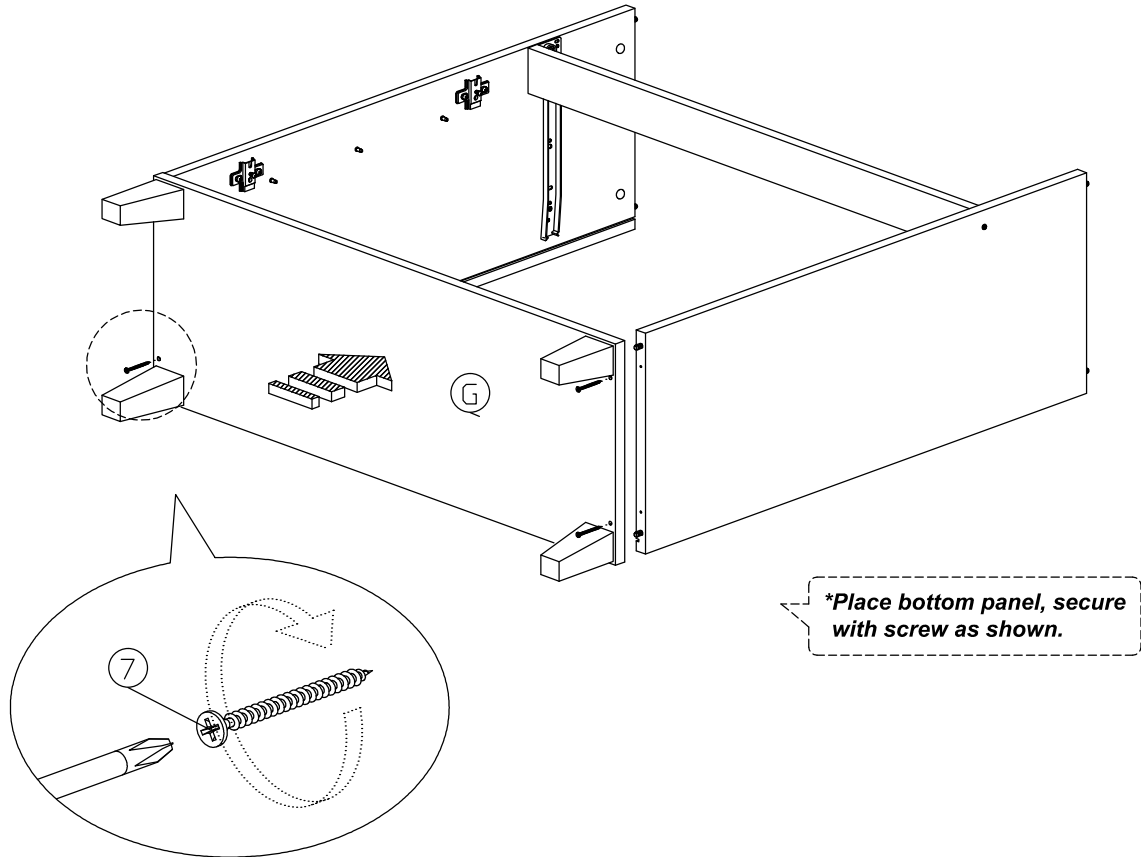


Step 6

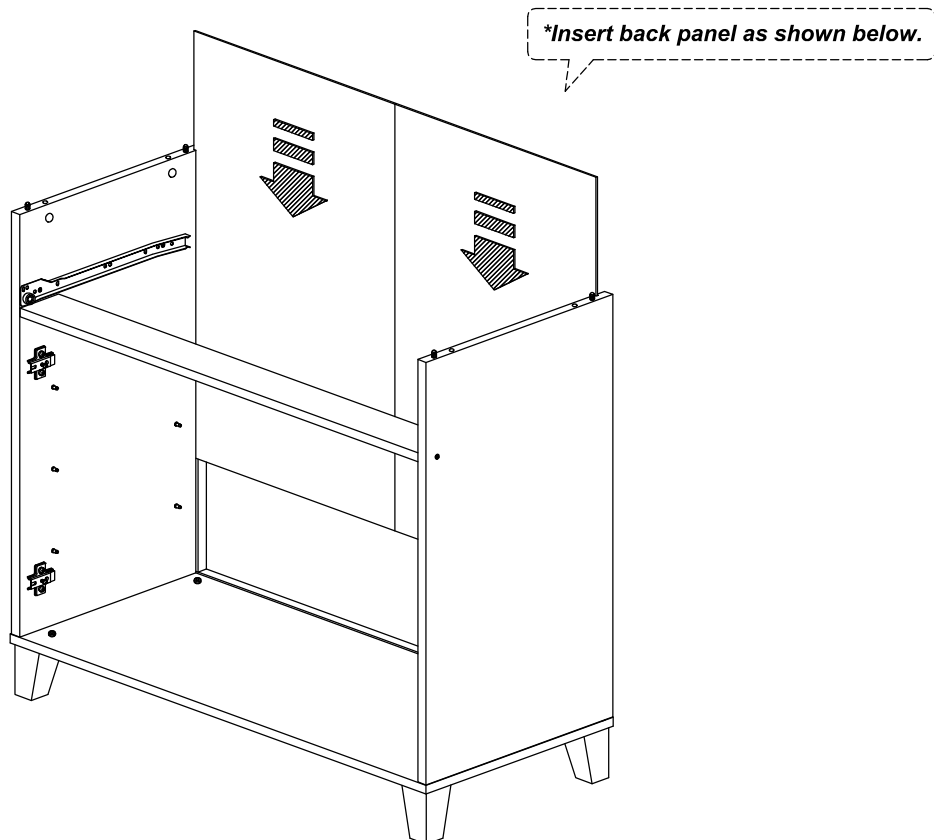


Assembly Instruction

Step 7

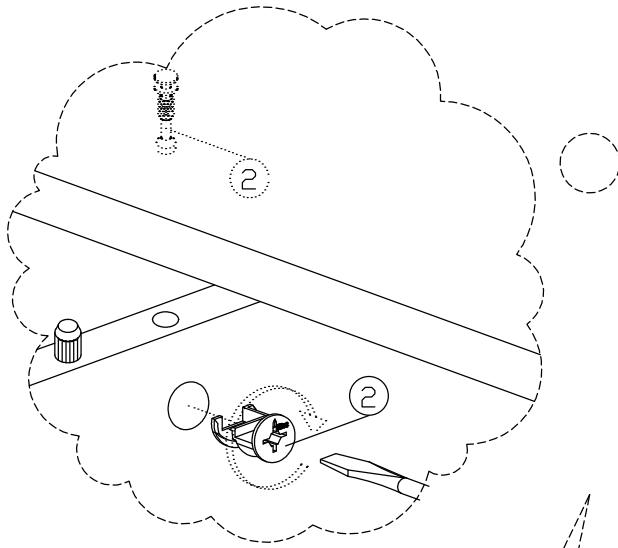


Step 8

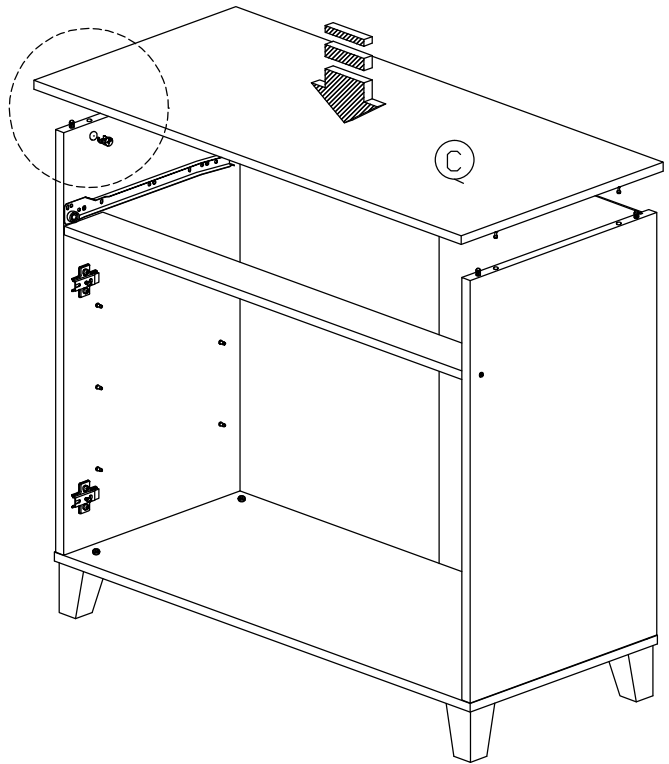


Assembly Instruction

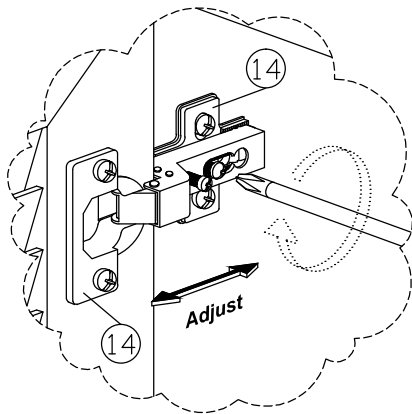
Step 9



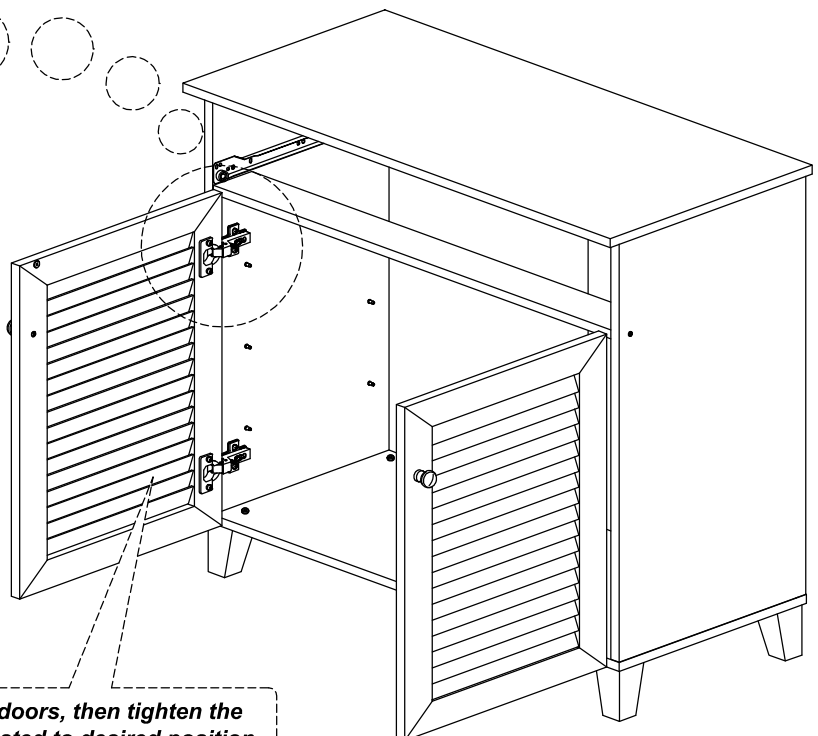
**Place top panel, secure with minifix as shown.*



Step 10

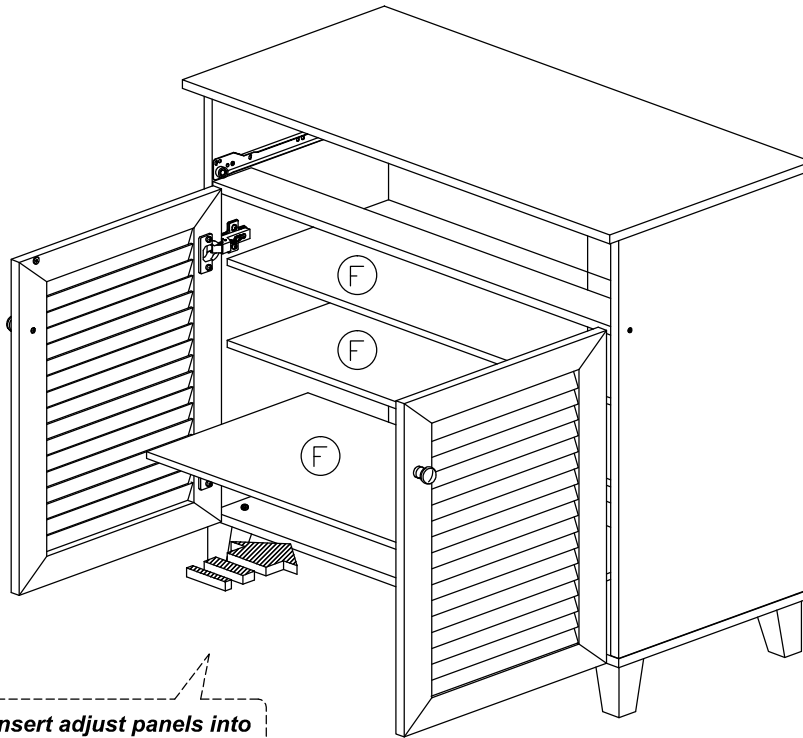


**Assemble both doors, then tighten the Hinge after adjusted to desired position.*



Assembly Instruction

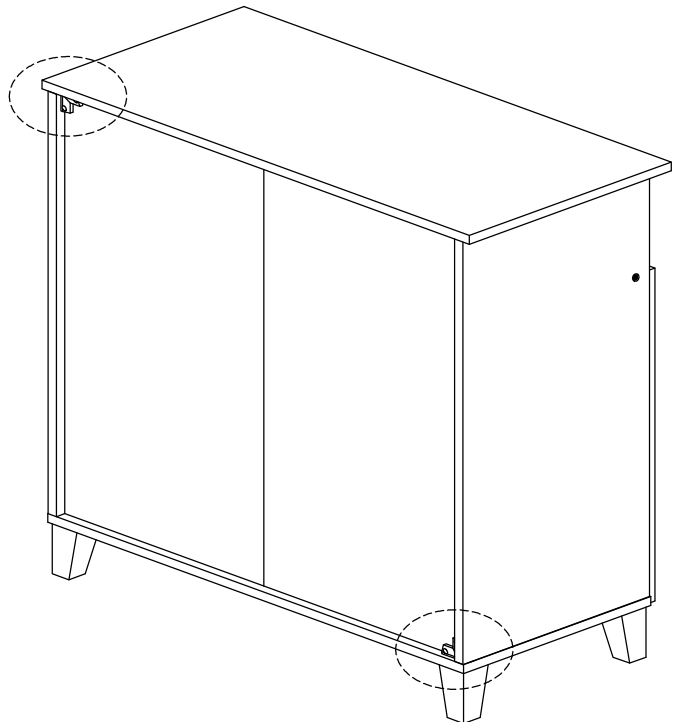
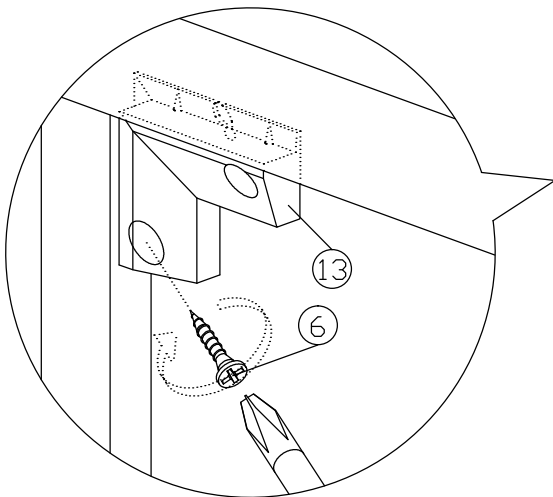
Step 11



**Insert adjust panels into cabinet as shown.*

Step 12

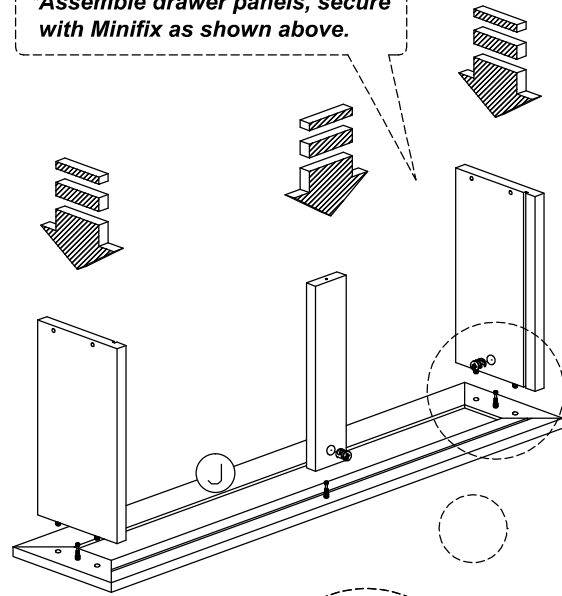
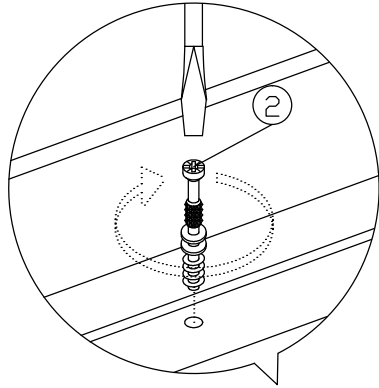
**Install Z Bracket with screw as shown.*



Assembly Instruction

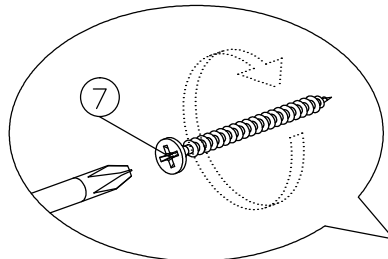
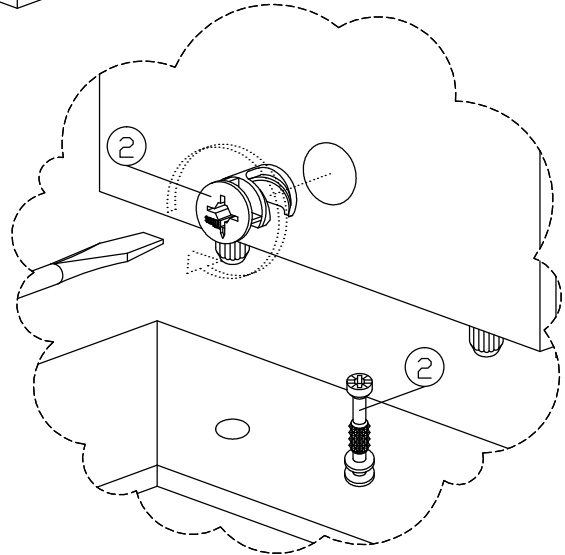
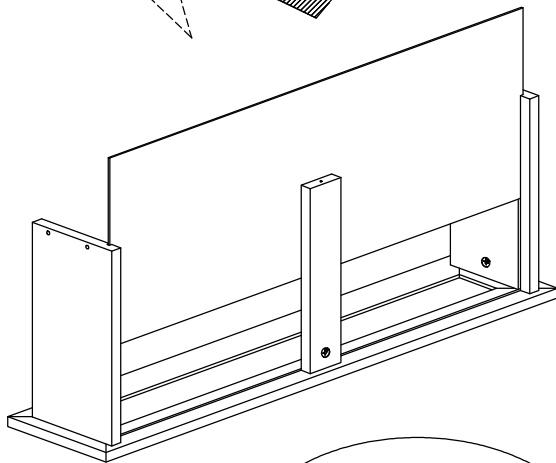
Step 13

**Assemble drawer panels, secure with Minifix as shown above.*

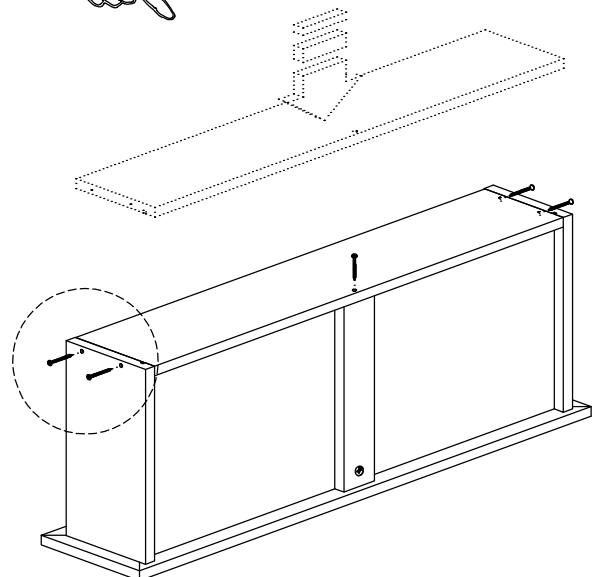


**Install 3pcs minifix bolt to panels as shown.*

**Insert drawer bottom as shown below.*

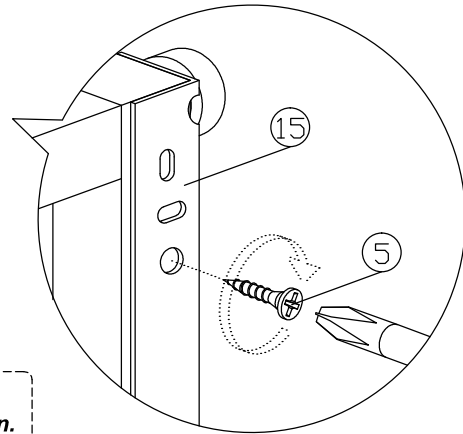
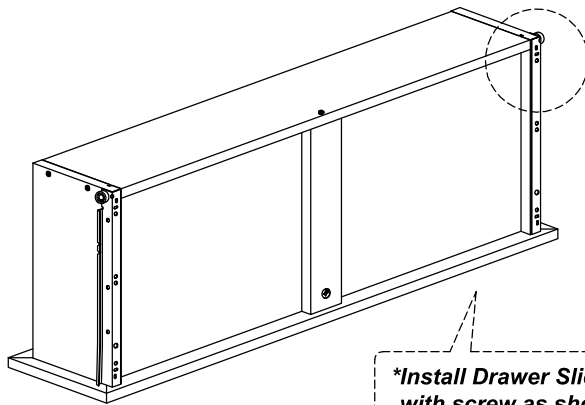


**Insert drawer back, secure with screw as shown.*

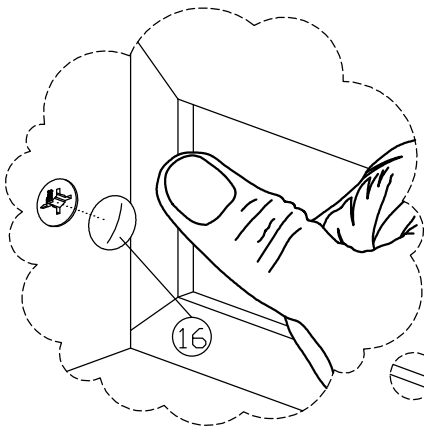


Assembly Instruction

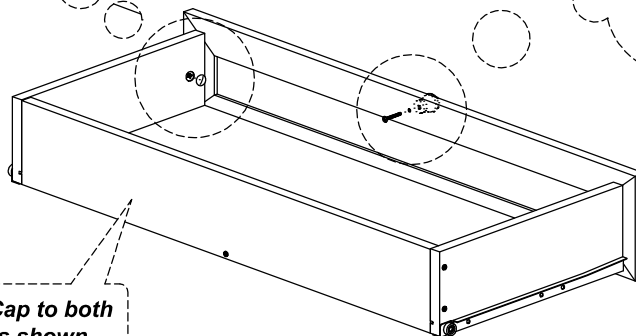
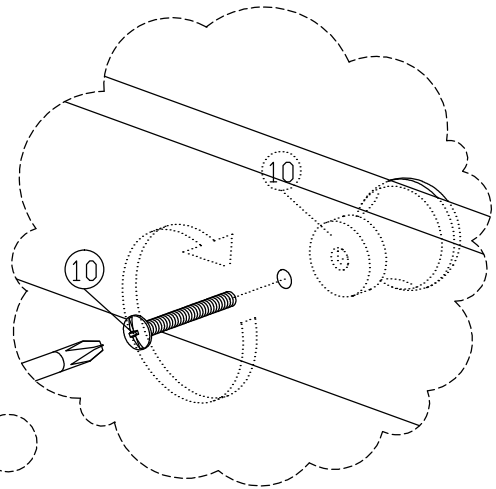
Step 14



**Install Drawer Slide with screw as shown.*

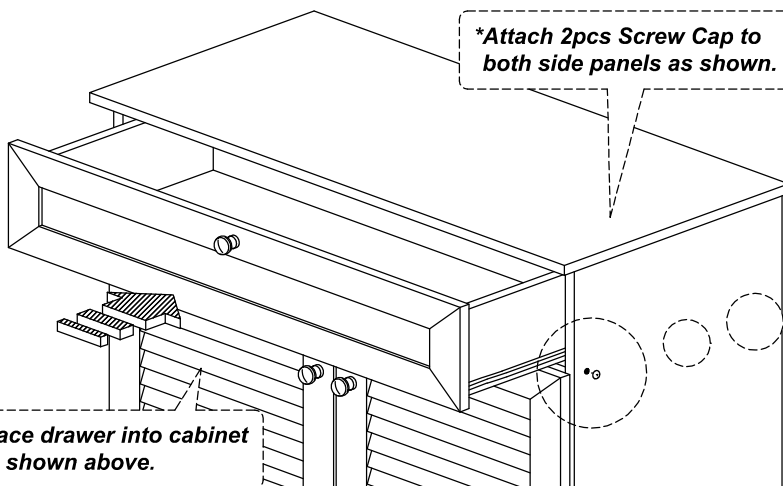


**Install Handle with screw as shown.*

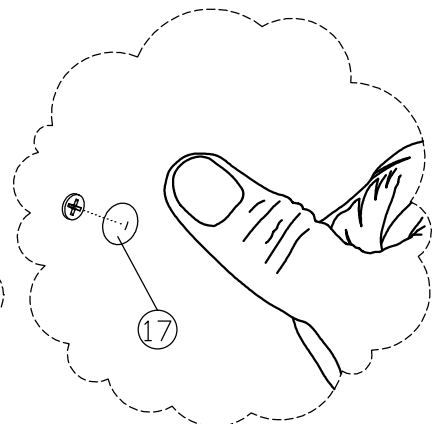


**Attach 2pcs Minifix Cap to both drawer side panels as shown.*

Step 15



**Attach 2pcs Screw Cap to both side panels as shown.*



**Place drawer into cabinet as shown above.*