

Assembly Instructions

CARE INSTRUCTIONS:

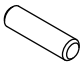
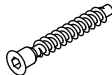



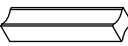
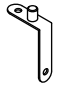





TO BE ASSEMBLED ON A CLEAN, DRY AND SMOOTH SURFACE. WIPE CLEAN WITH A SOFT DAMP CLOTH. NEVER USE SCOURERS, ABRASIVES OR CHEMICAL SOLVENTS. CHECK AND TIGHTEN ALL PARTS REGULARLY. KEEP AWAY FROM MOISTURE AND DIRECT SUNLIGHT. STORE IN A DRY PLACE. FOR INDOOR USE ONLY.

WARNING!

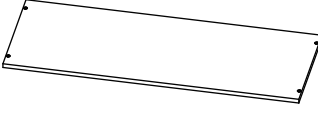
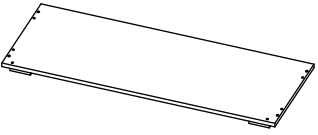
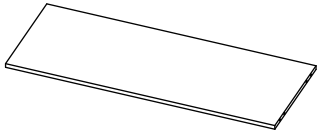
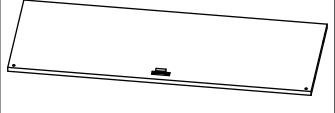
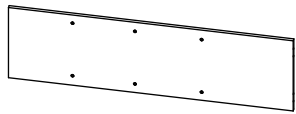
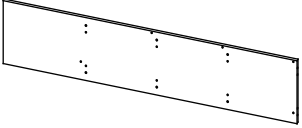
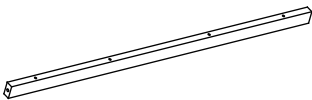
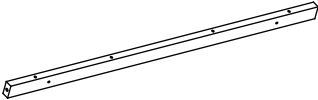
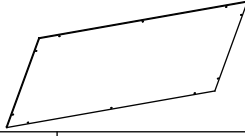
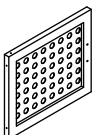
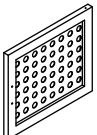
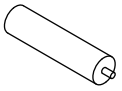
DO NOT STAND, SIT OR LEAN ON THIS UNIT. DO NOT USE THIS UNIT AS A STEP LADDER. ENSURE THIS UNIT IS USED ONLY ON A FLAT SURFACE. DO NOT USE THIS UNIT UNLESS ALL BOLTS AND SCREWS ARE FIRMLY SECURED. DO NOT PLACE HOT ITEMS SUCH AS COFFEE CUPS DIRECTLY ON THE SURFACE OF THIS FURNITURE ITEM. THIS PRODUCT CONTAINS SMALL PARTS AND SHARP POINTS, KEEP AWAY FROM CHILDREN AND BABIES. ADULT ASSEMBLY REQUIRED. A MILD ODOUR MAY BE PRESENT WHEN FIRST OPENING THIS CARTON. SIMPLY ALLOW TO AIR OUTSIDE AND THIS WILL FADE.

MAXIMUM SAFE LOAD: 15KG FOR EACH SHELF.

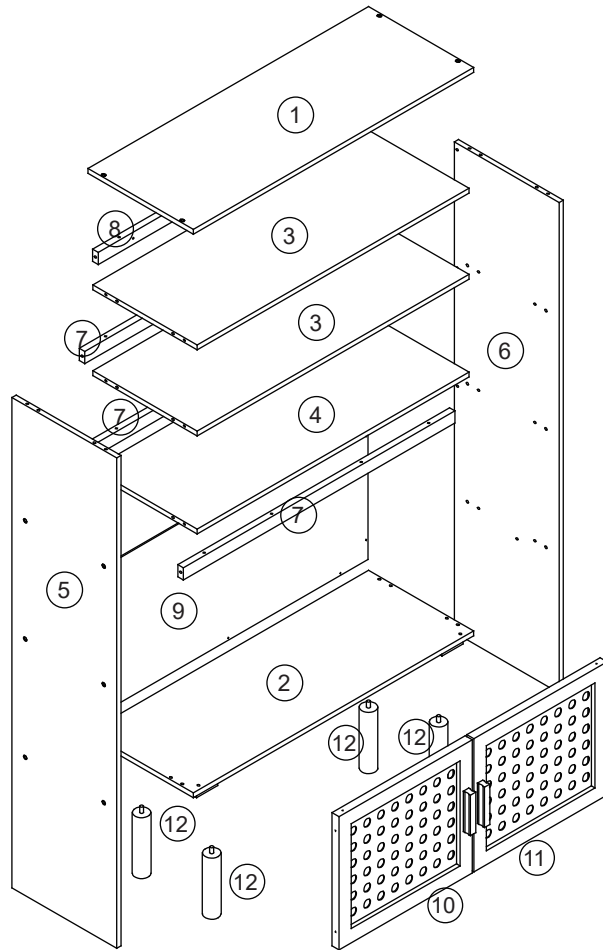
1 Hardware List

	A	6x30mm	28pcs		B	7x50mm	20pcs		C	M4x40mm	18pcs
	D	M3x12mm	10pcs		E	M4x35mm	4pcs		F		2pcs
	G		4pcs		H	M3x18mm	8pcs		I		16pcs
	J		2pcs		K		2pcs		L		1pc

2 Parts List

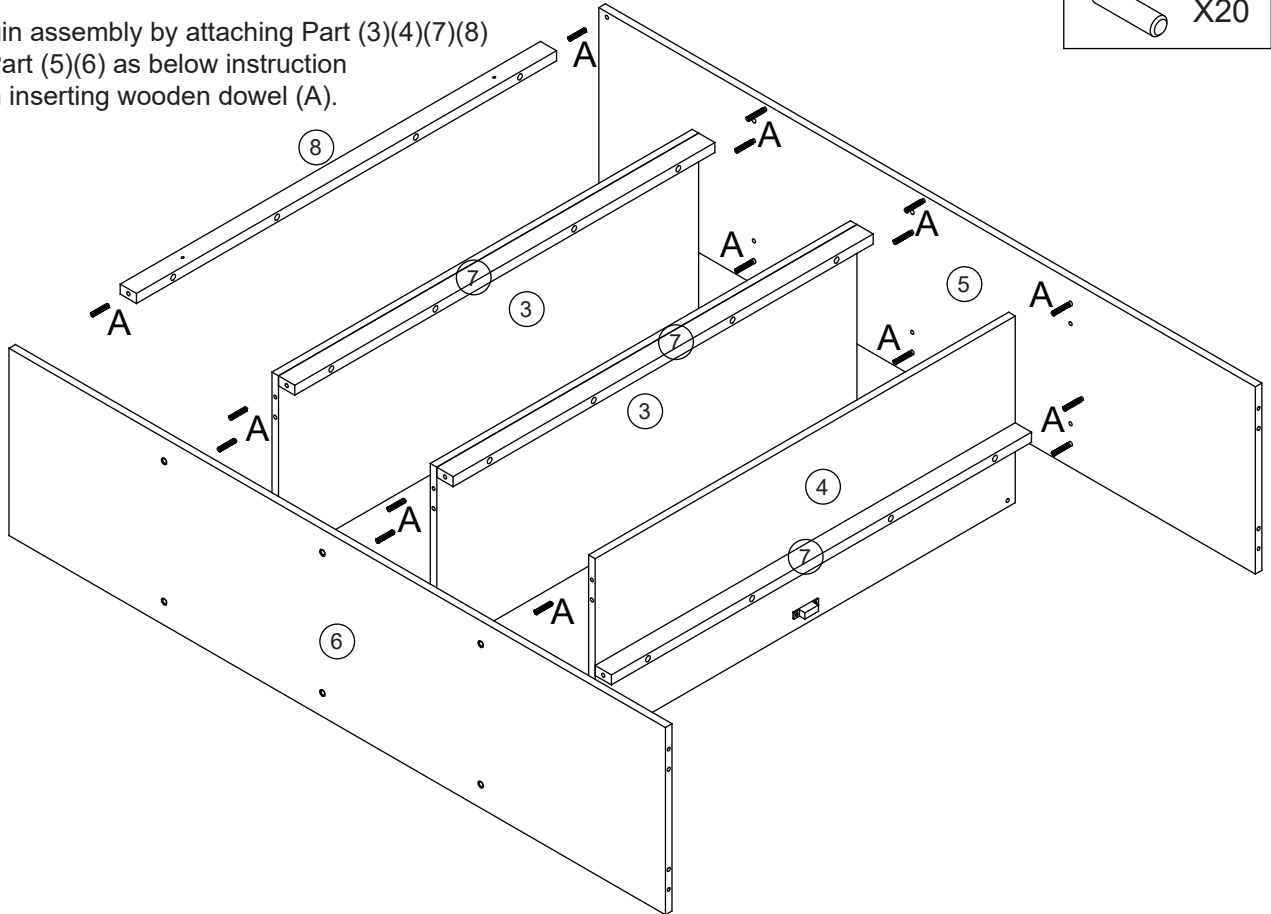
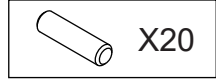
			
① 1pc	② 1pc	③ 2pcs	④ 1pc
			
⑤ 1pc	⑥ 1pc	⑦ 3pcs	⑧ 1pc
			
⑨ 1pc	⑩ 1pc	⑪ 1pc	⑫ 4pcs

3



STEP 1

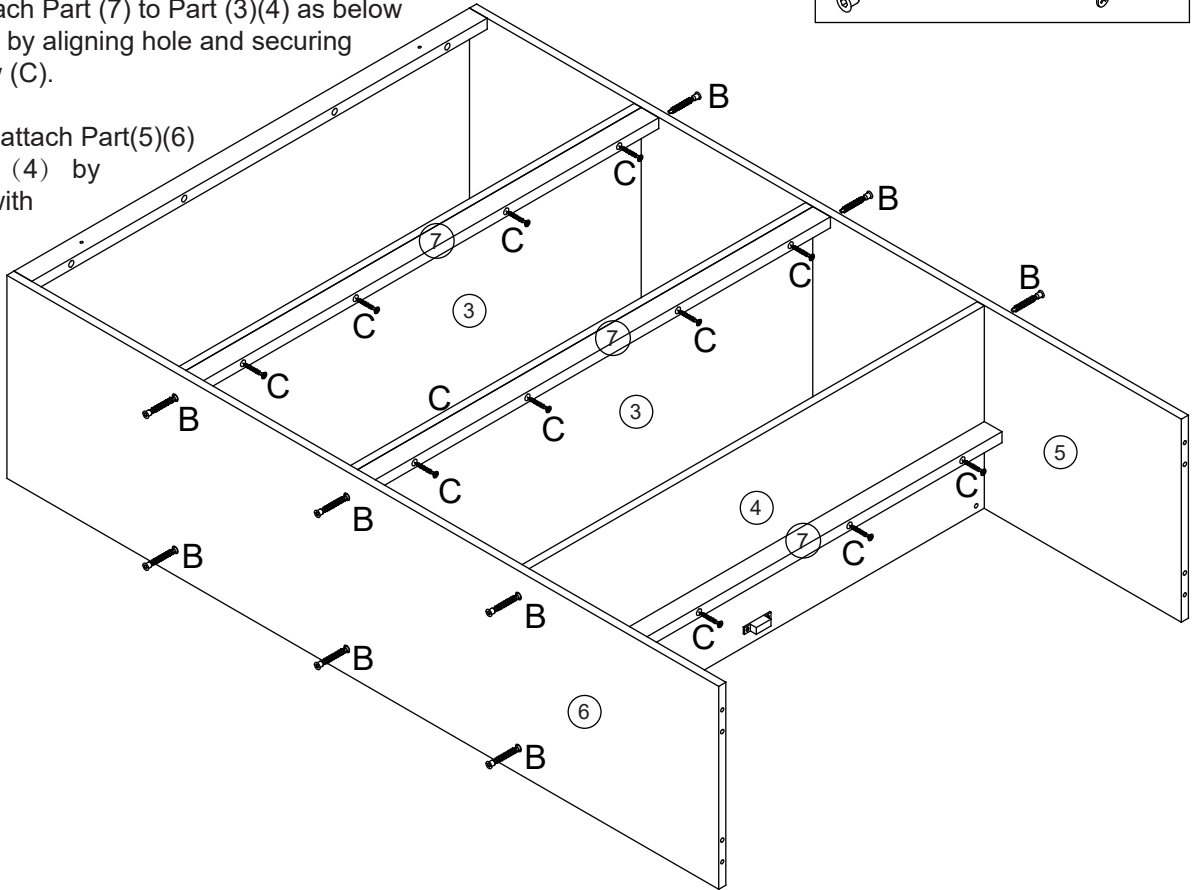
Begin assembly by attaching Part (3)(4)(7)(8) to Part (5)(6) as below instruction with inserting wooden dowel (A).



STEP 2

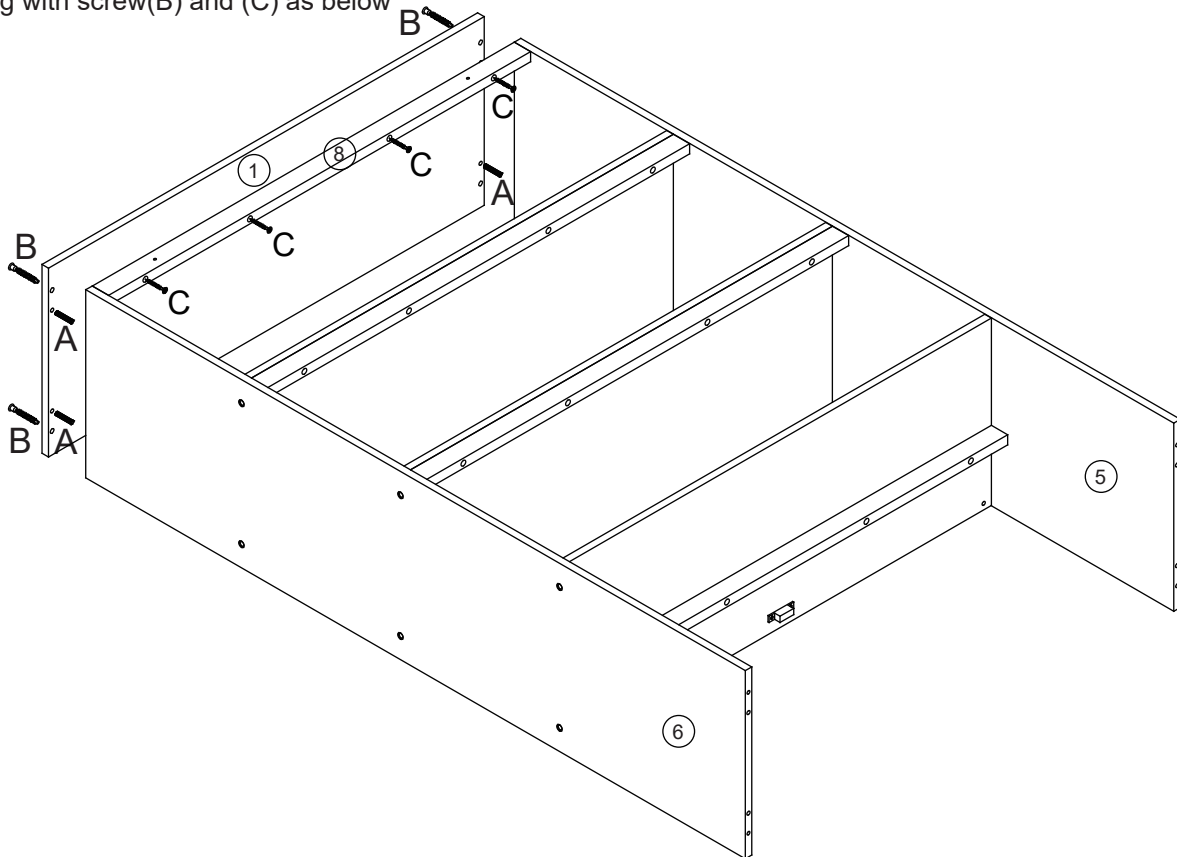
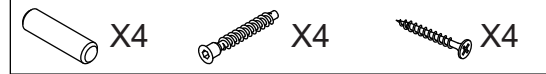
Firstly, attach Part (7) to Part (3)(4) as below instruction by aligning hole and securing with screw (C).

Secondly, attach Part(5)(6) to Part (3) (4) by securing with screw (B).



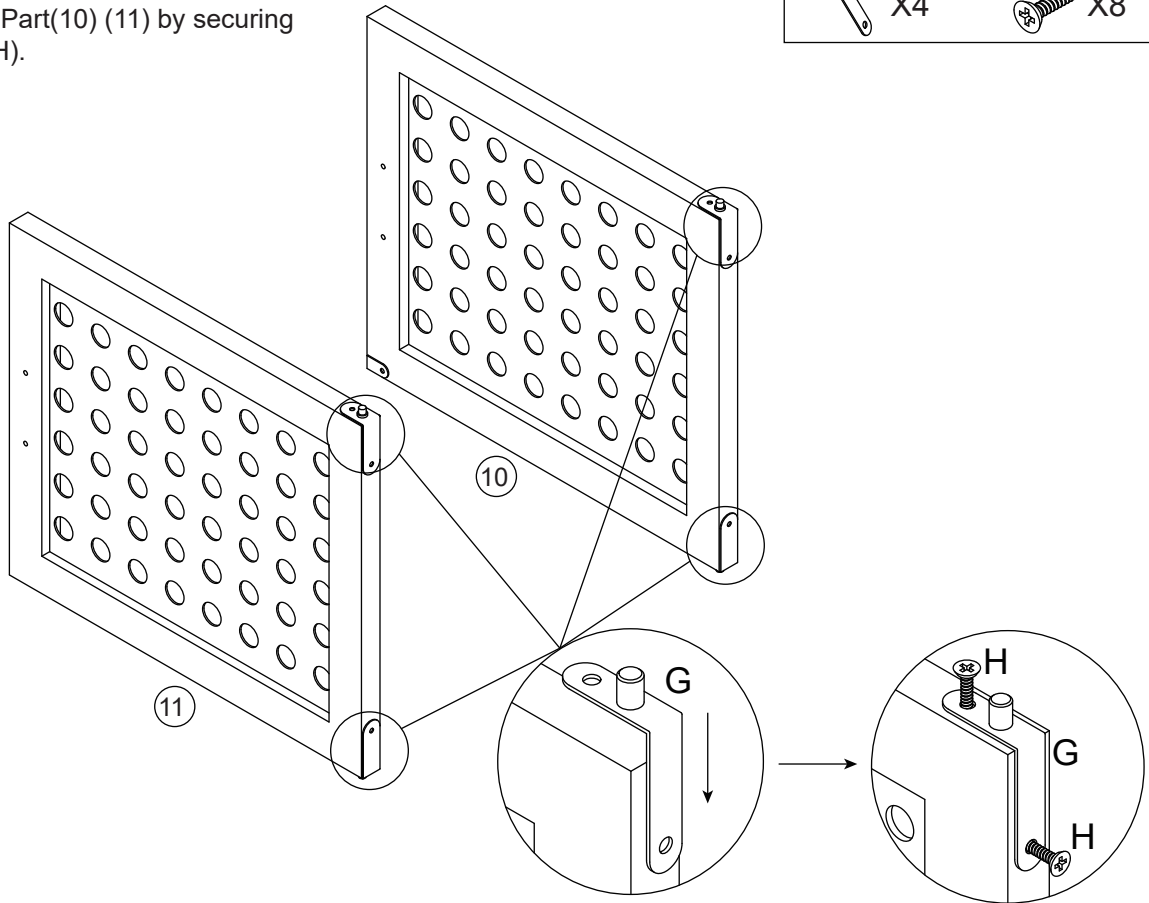
STEP 3

Attach Part (1) to Part (5)(6)(8) by inserting wooden dowel (A) and securing with screw(B) and (C) as below instruction.



STEP 4

Attach (G) to Part (10) (11) by securing with screw (H).

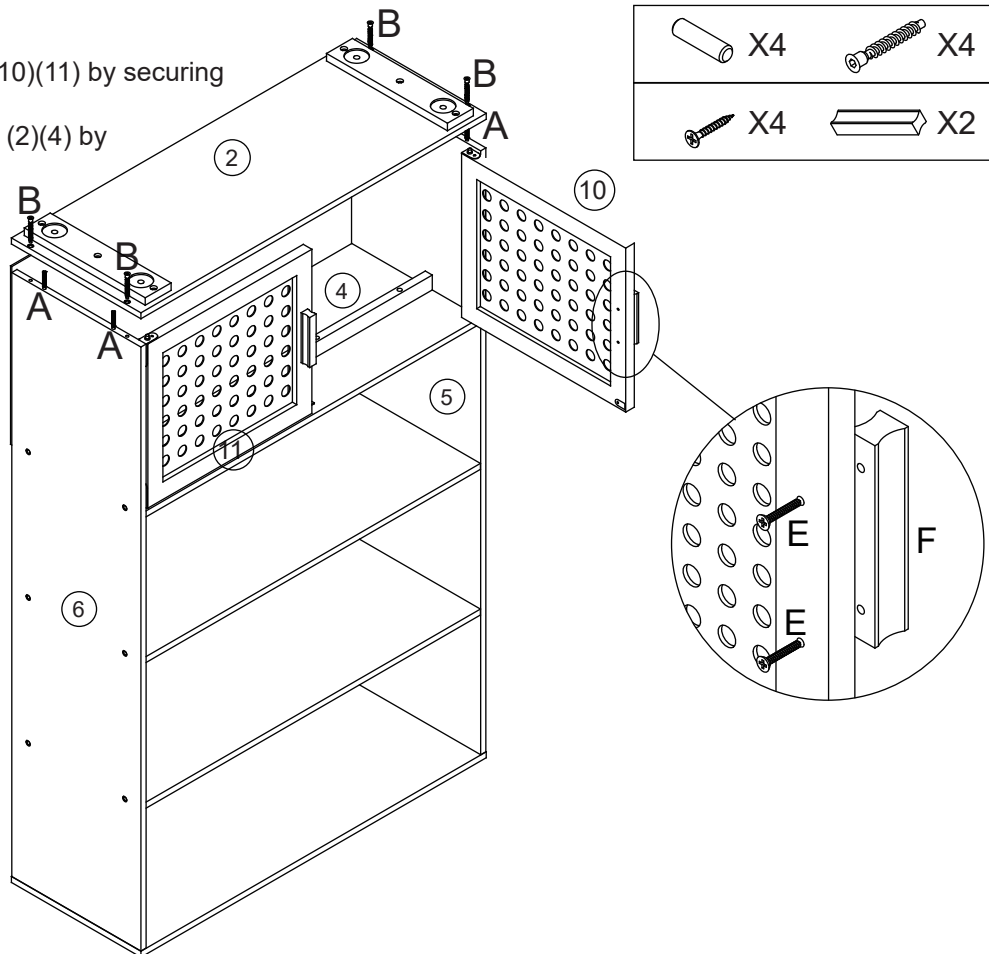
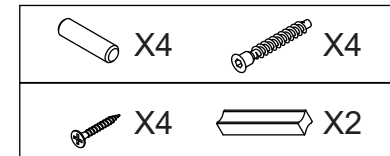


STEP 5

Attach handle (F) to Part (10)(11) by securing with screw (E).

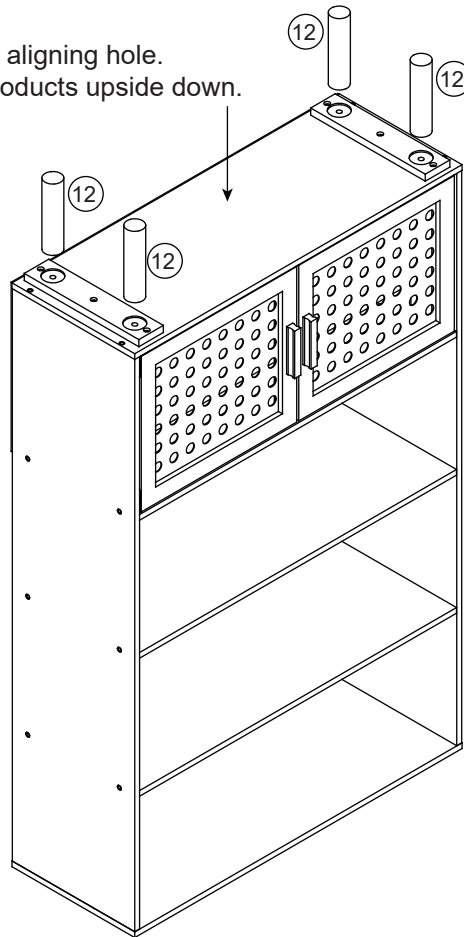
Insert Part (10)(11) to Part (2)(4) by aligning hole.

Attach Part (2) to Part (5)(6) by inserting wooden dowel (A) and securing with screw (B).



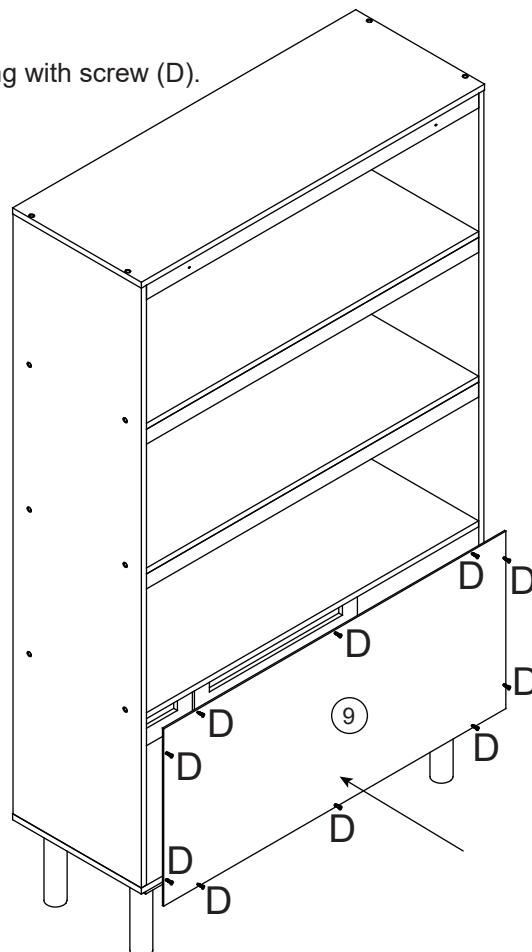
STEP 6

Rotate leg (12) into the bottom one by one by aligning hole.
Tighten each leg before turning assembled products upside down.



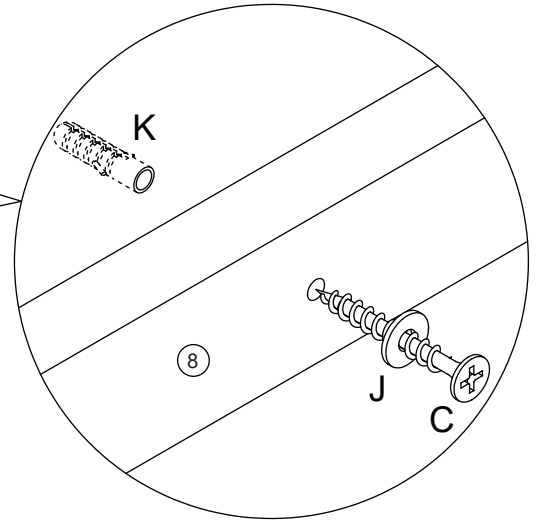
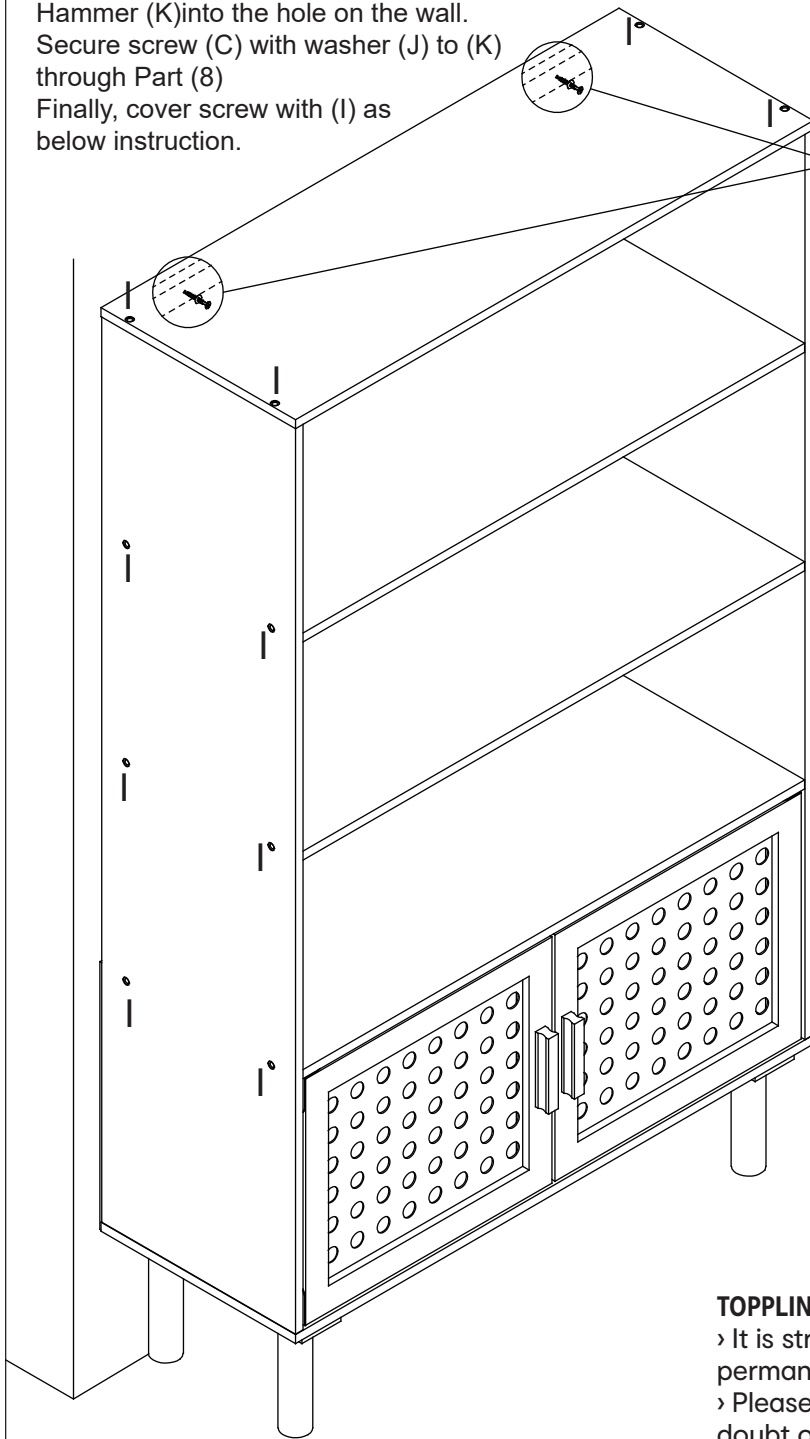
STEP 7





Attach Part (9) to assembled product by securing with screw (D).



STEP 8

Drill hole on the wall.
 Hammer (K) into the hole on the wall.
 Secure screw (C) with washer (J) to (K) through Part (8)
 Finally, cover screw with (I) as below instruction.



 X16	 X2
 X2	 X2

TOPPLING FURNITURE WARNING:

- › It is strongly recommended that this product is permanently fixed to the wall.
- › Please seek professional advice if you are in doubt of what fixing device to use.
- › Regularly check that anchors are securely maintained.
- › Stability of tall items may be affected by thick pile carpet or uneven floors.
- › Do not place unanchored televisions on furniture.

Caution! When attaching the anchor fixings, check for any electrical wires or plumbing behind the wall before drilling any holes (if you are unsure, please seek professional advice from a qualified tradesperson).