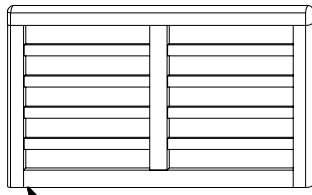


# 97063 Twin Headboard

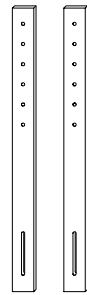
## Assembly Instructions

WII-0720

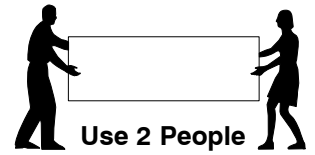
### 1 Parts List



**A** Headboard Panel x 1



**B**  
Support  
Bars x 2



### 2 Hardware List



**1** M6 x 35mm JCB  
x 10



**2** Spring Washer  
x 10



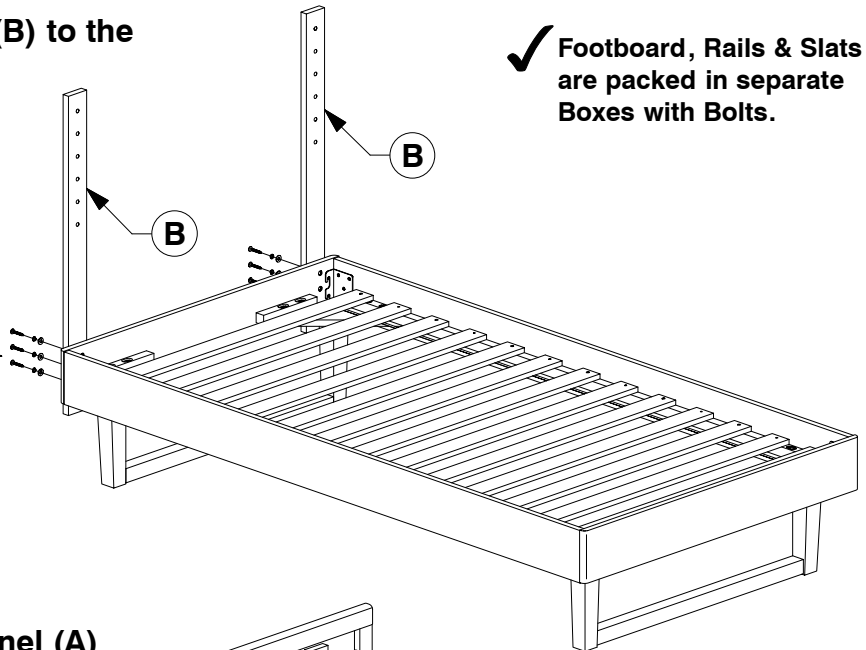
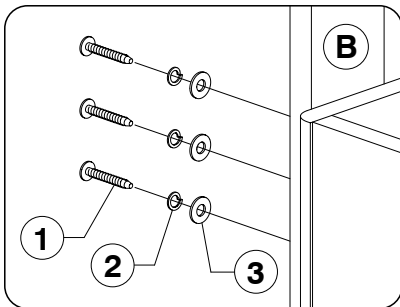
**3** Flat Washer  
x 10



**4** Allen Key  
x 1

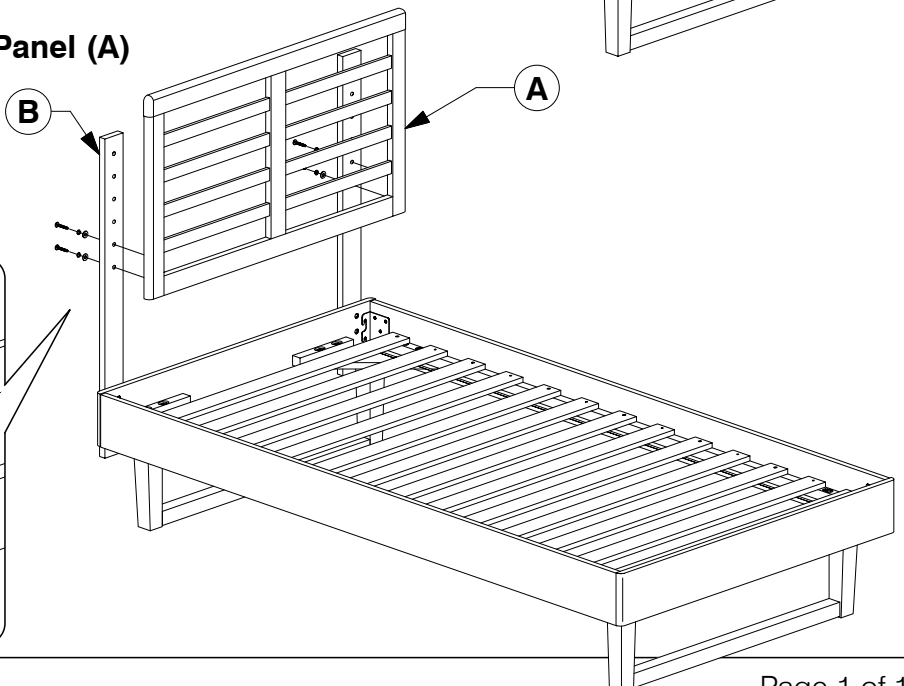
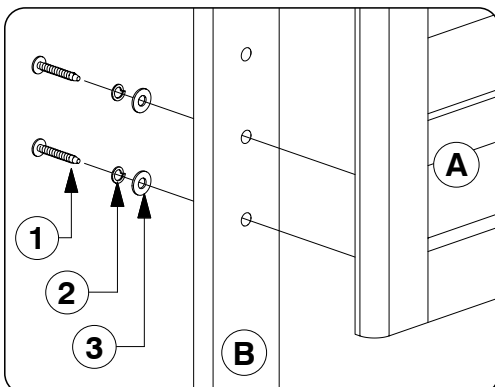
**Note:** Do not assemble  
using power tools.  
This can cause the bolts  
to be overtightened

### 3 Assemble the Support Bars (B) to the Headboard Panel.



✓ Footboard, Rails & Slats  
are packed in separate  
Boxes with Bolts.

### 4 Assemble the Headboard Panel (A) to the Support Bars (B).

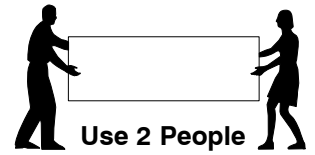
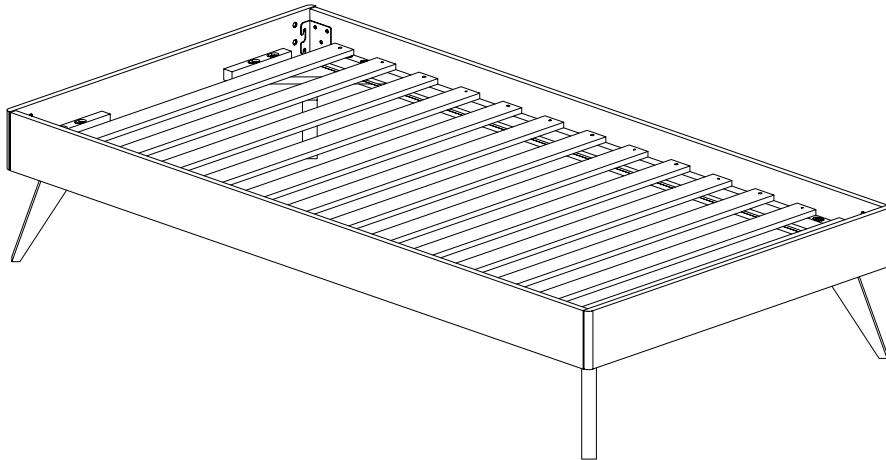


# 9704 Twin Bed

## Assembly Instructions

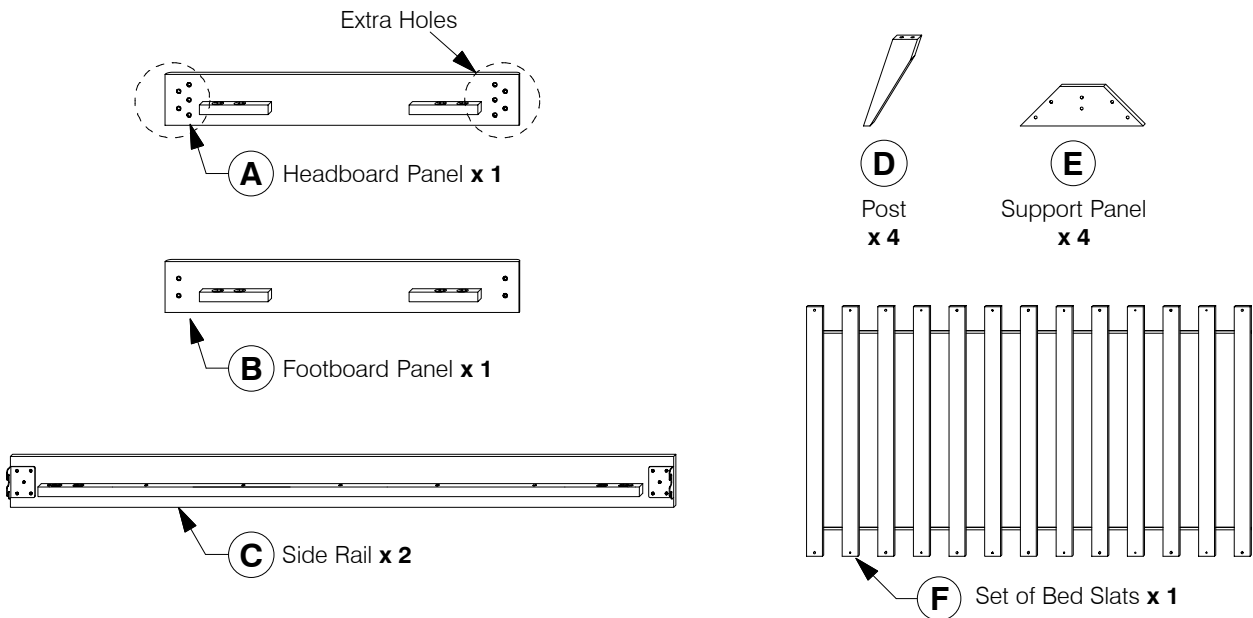
W11-0720

### 1 Assembled View

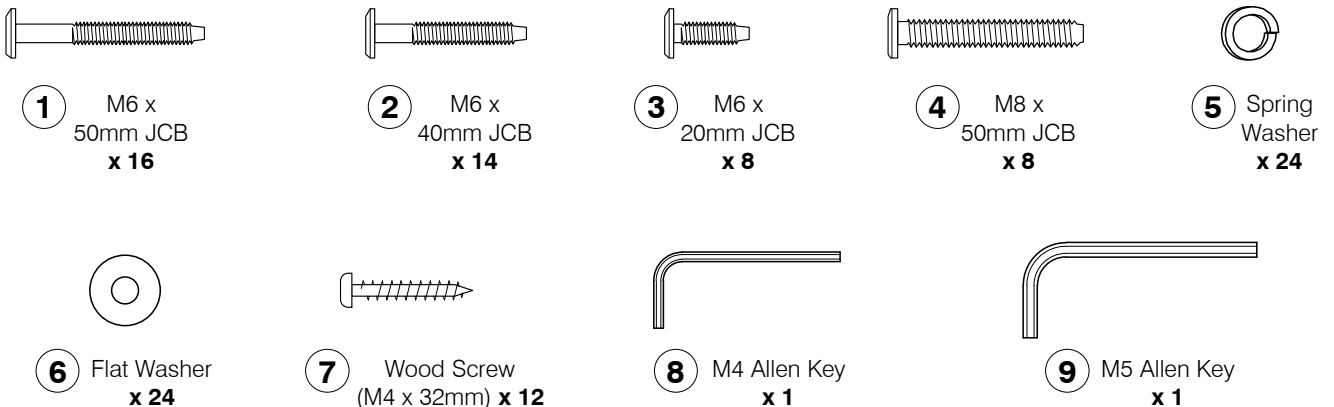


**Note:** Do not assemble using power tools. This can cause the bolts to be overtightened

### 2 Parts List



### 3 Hardware List



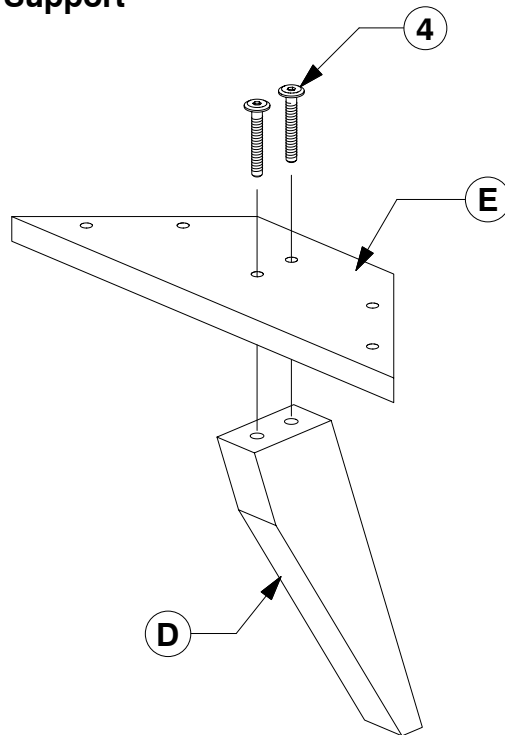
# 9704 Twin Bed

## Assembly Instructions

WII-0720

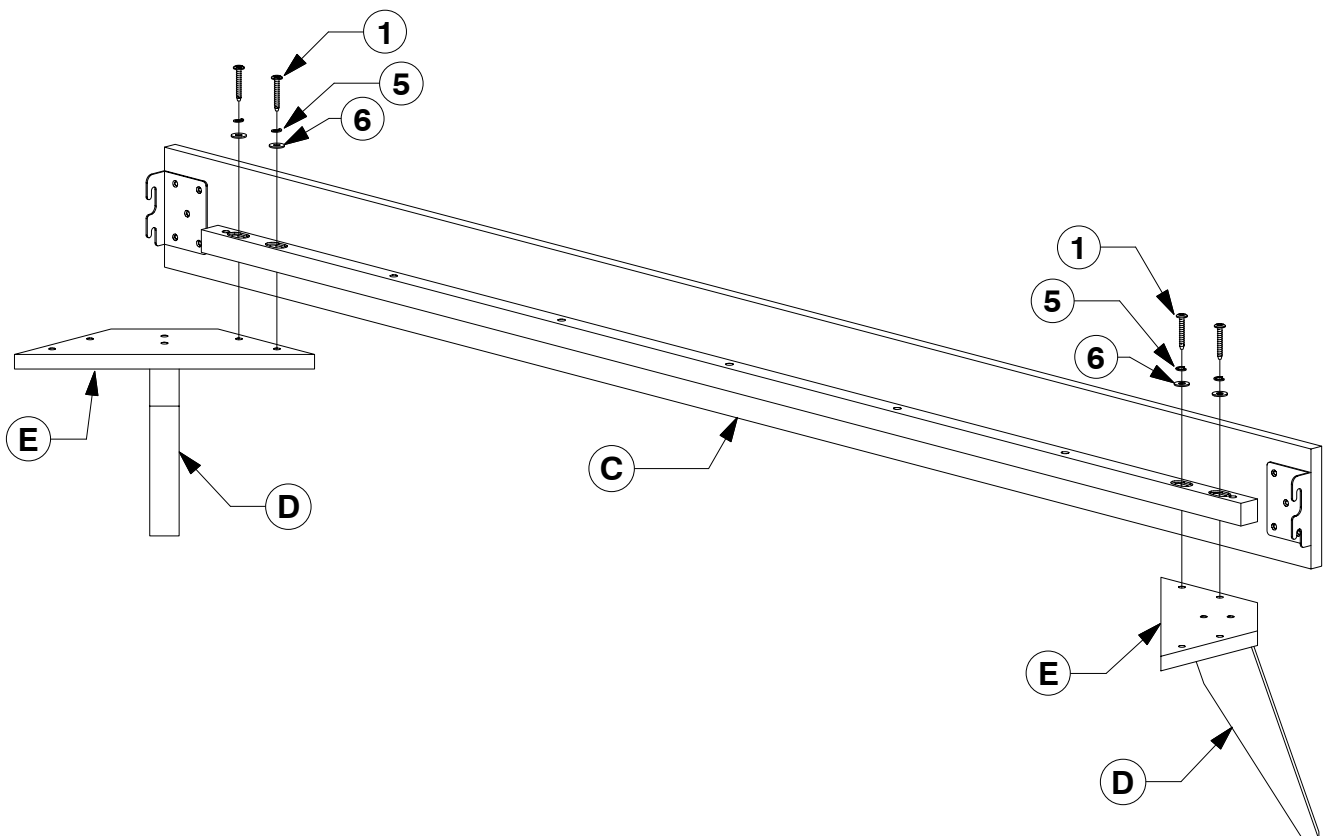
- 4** Fit the Post (D) to the Support Panel (E).

x4



- 5** Bolt the Post & Support Panel (D & E) to the Side Rail (C).

x2

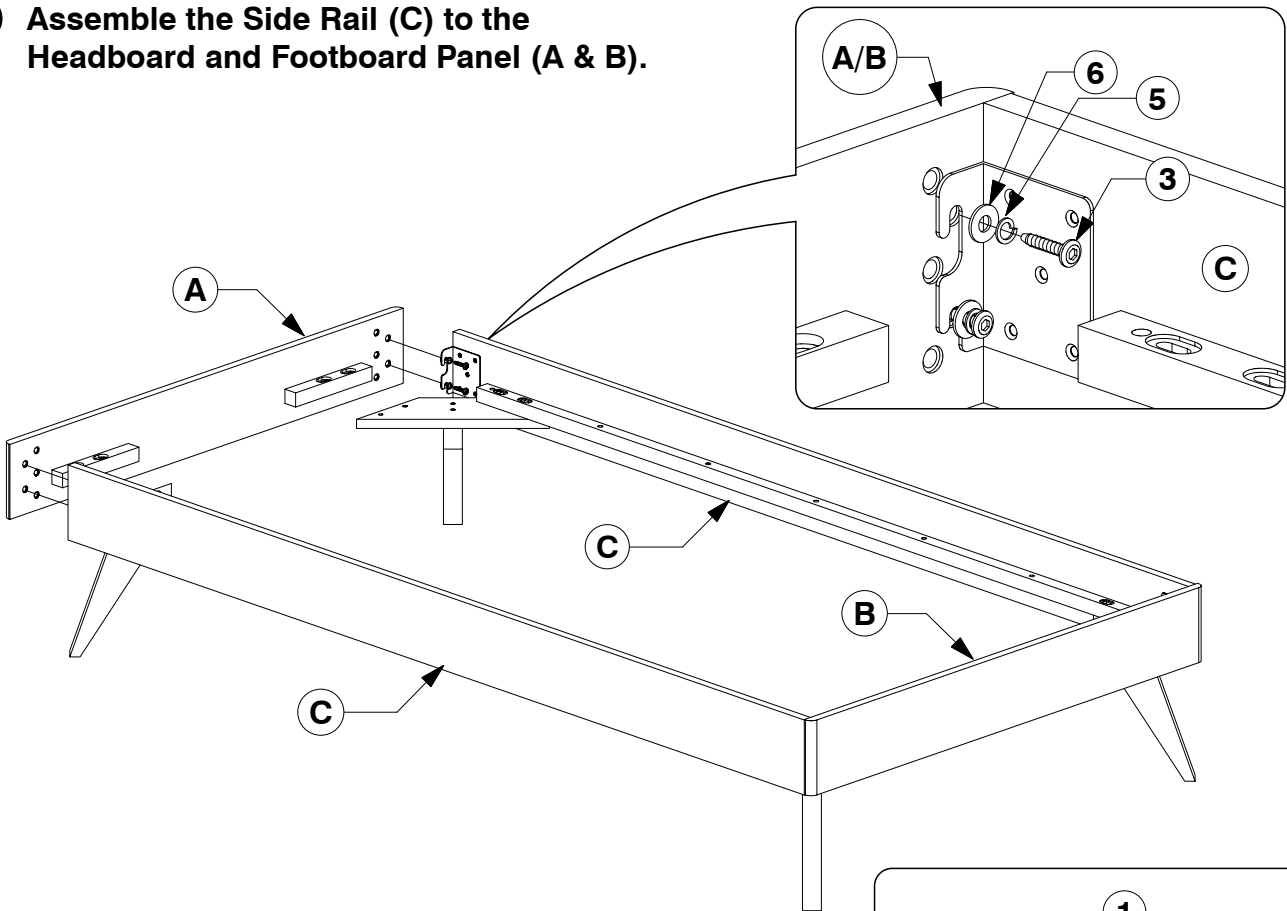


# 9704 Twin Bed

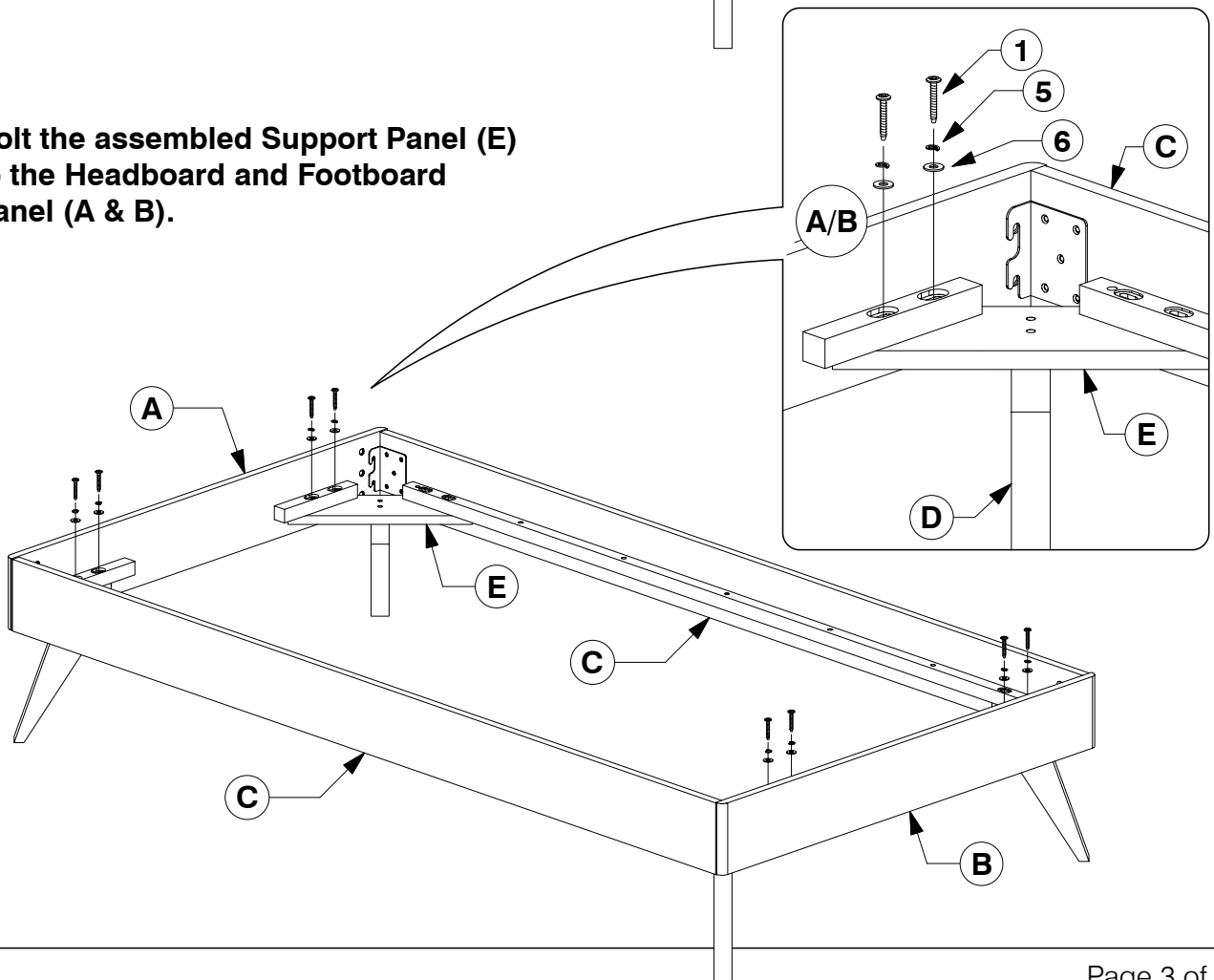
## Assembly Instructions

W11-0720

- 6 Assemble the Side Rail (C) to the Headboard and Footboard Panel (A & B).**



- 7 Bolt the assembled Support Panel (E) to the Headboard and Footboard Panel (A & B).**

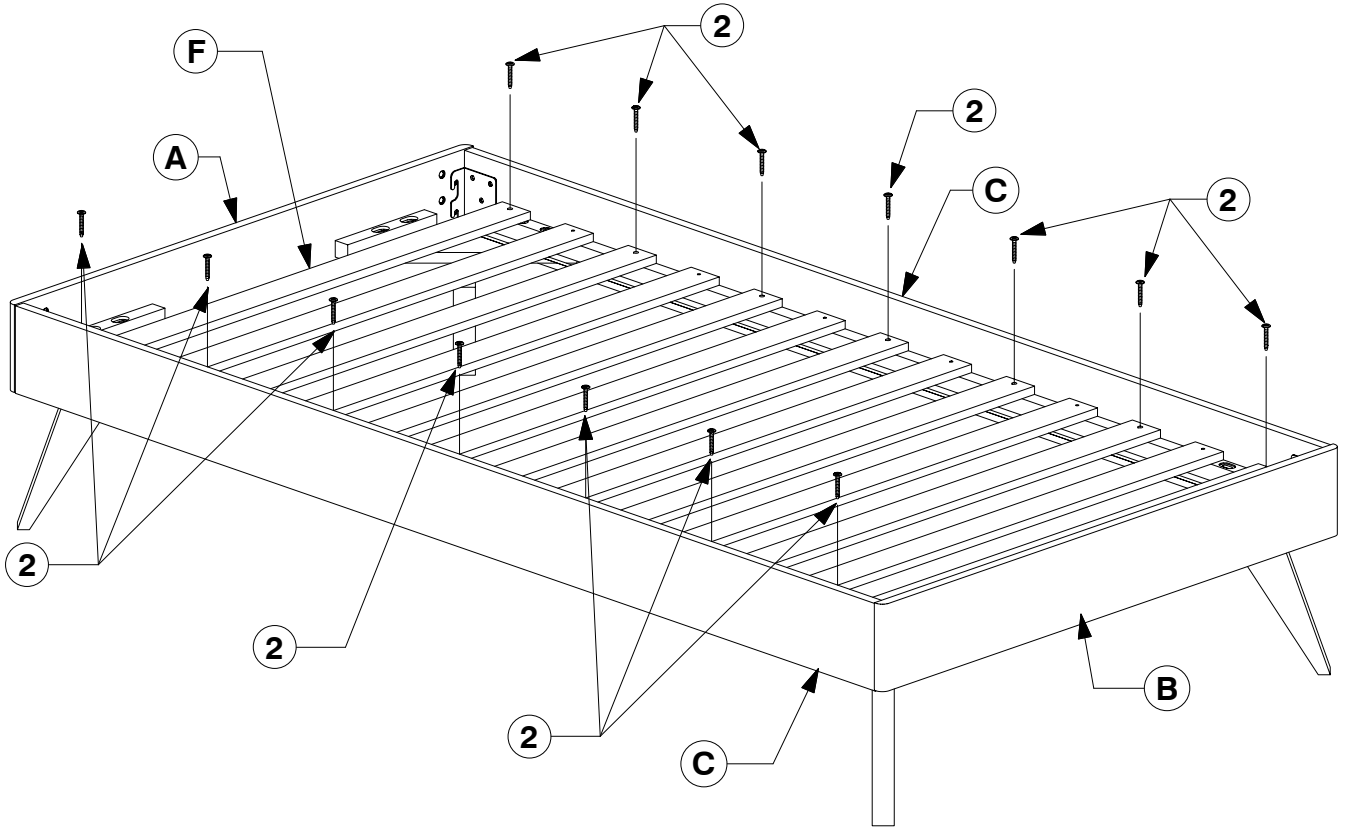


# 9704 Twin Bed

## Assembly Instructions

W11-0720

### 8 Bolt the Bed Slats (F) to the Side Rail (C).



### 9 Screw the Bed Slats (F) to the Side Rail (C).

