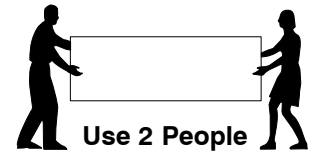
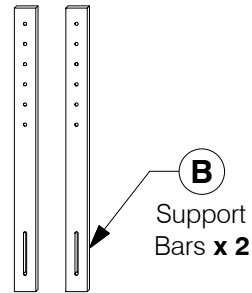
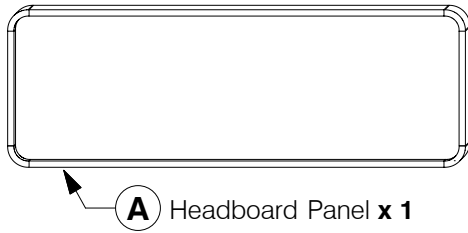


# Full Headboard

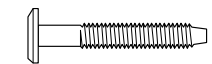
## Assembly Instructions

0818

### 1 Parts List



### 2 Hardware List



1 M6 x 35mm JCB  
x 4



2 Spring Washer  
x 4



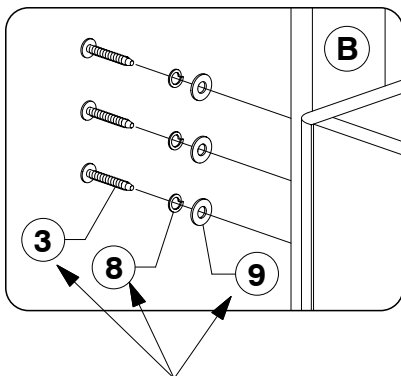
3 Flat Washer  
x 4



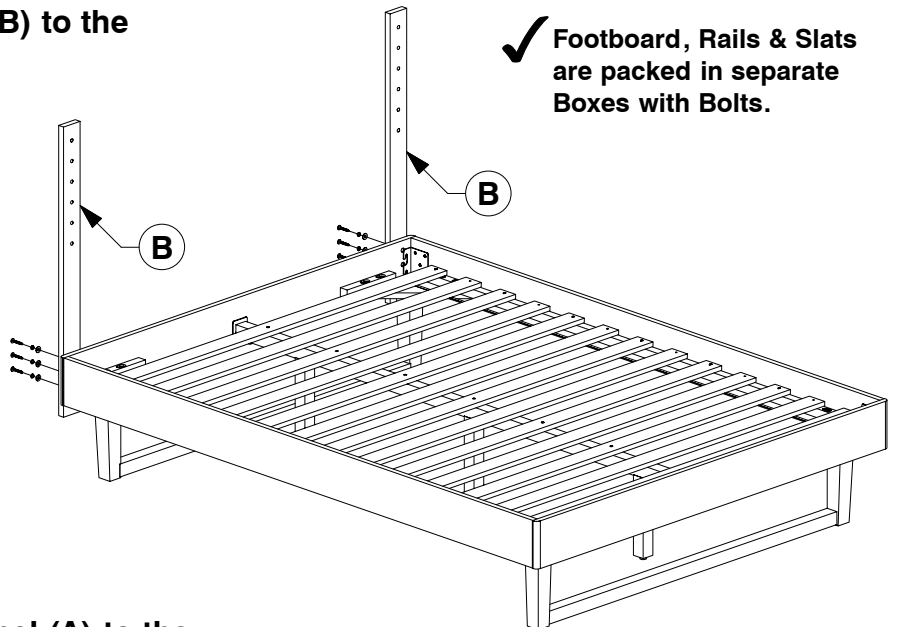
4 Allen Key  
x 1

**Note:** Do not assemble using power tools. This can cause the bolts to be overtightened

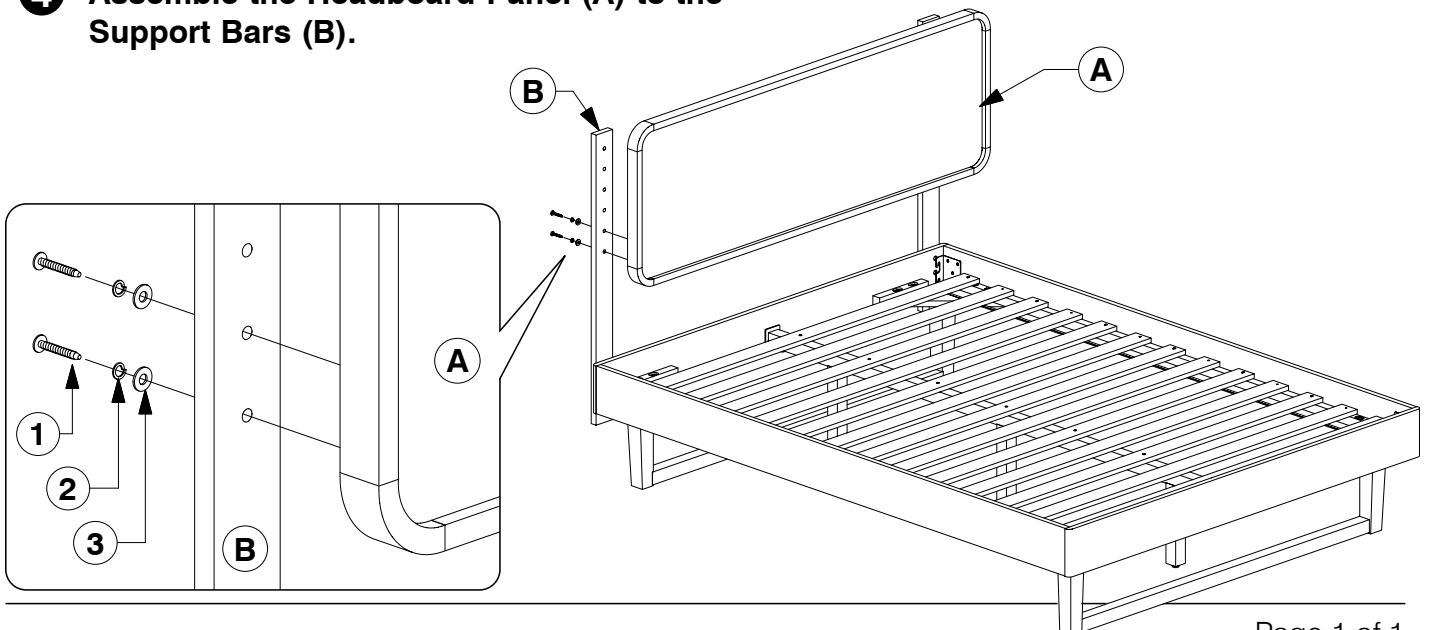
### 3 Assemble the Support Bars (B) to the Headboard Panel.



Note: Bolts & Washers from Footboard, Rails & Slats Box.



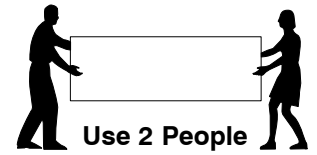
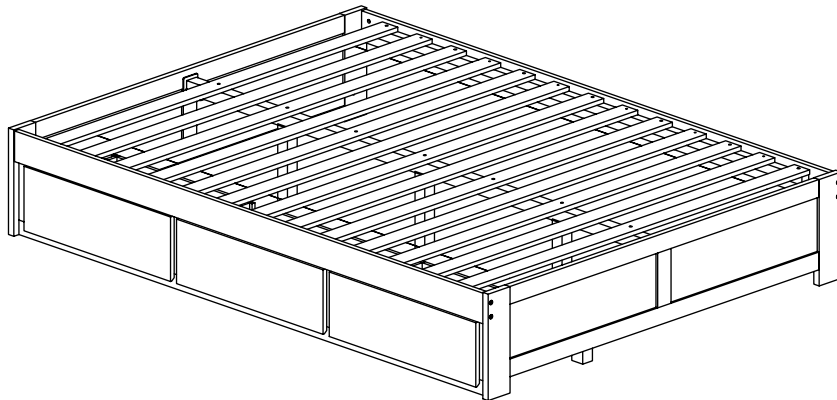
### 4 Assemble the Headboard Panel (A) to the Support Bars (B).



# Full Bed

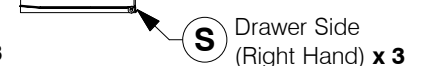
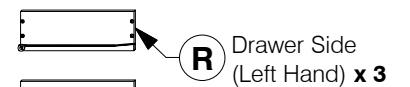
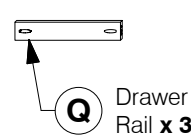
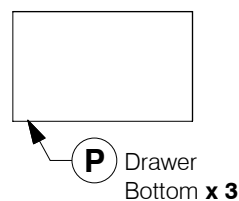
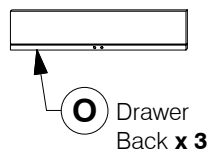
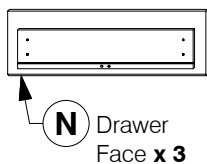
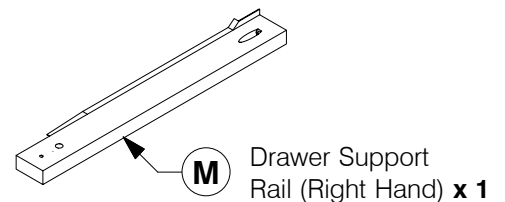
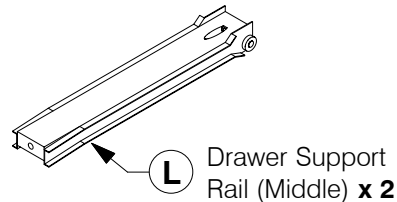
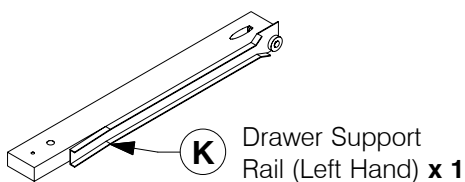
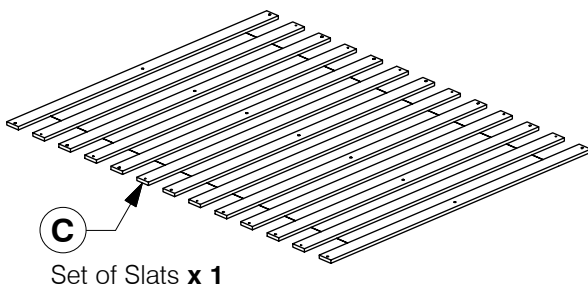
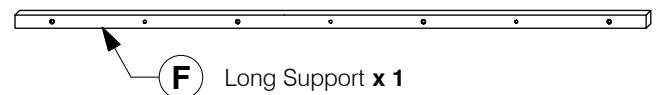
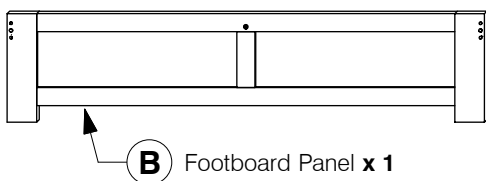
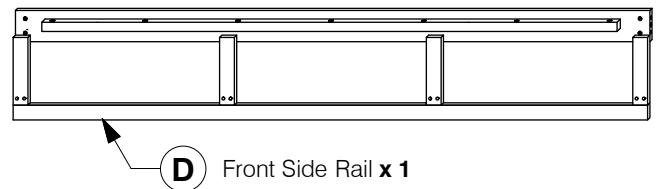
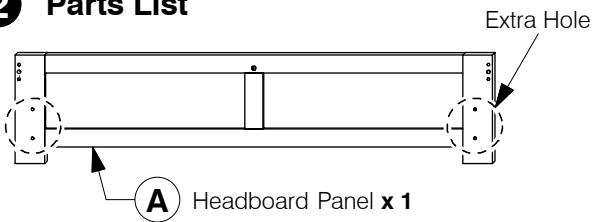
## Assembly Instructions

### 1 Assembled View



**Note:** Do not assemble using power tools. This can cause the bolts to be overtightened

### 2 Parts List



# Full Bed

## Assembly Instructions

### 3 Hardware List



1 M6 x 100mm JCB  
x 3



2 M6 x 70mm JCB  
x 8



3 M6 x 40mm JCB  
x 26



4 M6 x 15mm JCB  
x 4



5 Wood Dowel  
(10 x 40mm) x 4



6 Wood Dowel  
(8 x 30mm) x 8



7 Wood Dowel  
(6 x 25mm) x 12



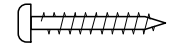
8 Barrel Nut  
x 11



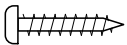
9 Spring  
Washer x 4



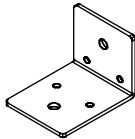
10 Flat Washer  
x 4



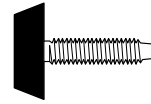
11 Wood Screw  
(M4 x 32mm) x 18



12 Wood Screw  
(M4 x 25mm) x 30



13 Center Rail  
Bracket x 2

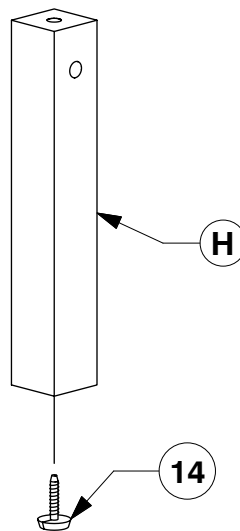


14 Adjustable  
Foot x 3



15 Allen Key  
x 1

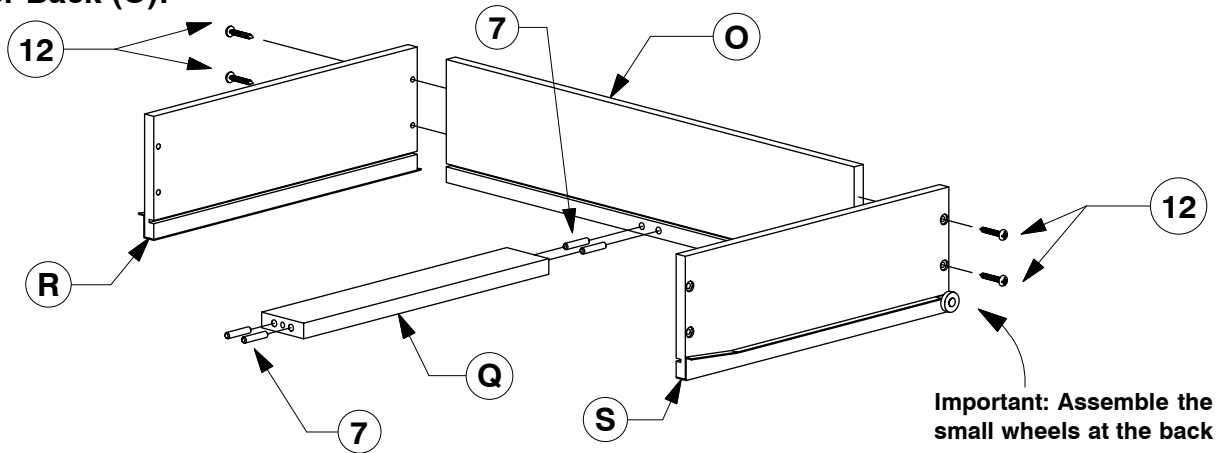
### 4 Fix the Adjustable foot to the bottom of the Support Legs (H).



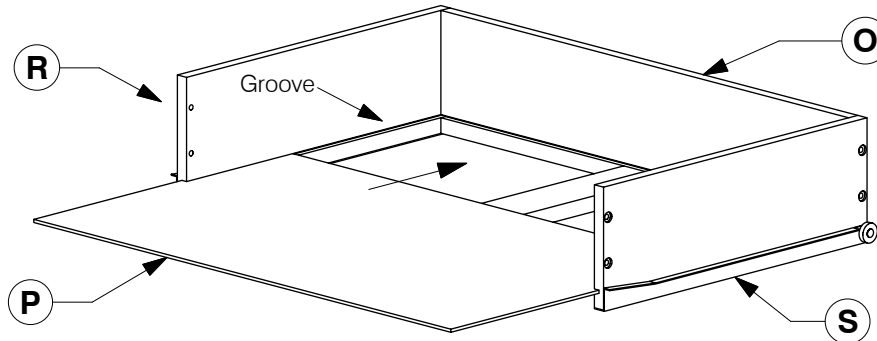
# Full Bed

## Assembly Instructions

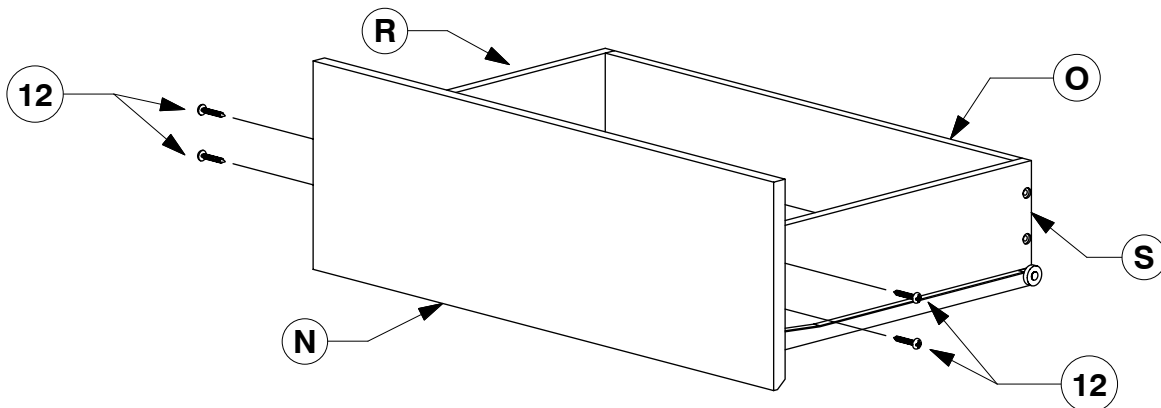
- 5** Assemble the Drawer Sides (R & S) and Drawer Rail (Q) to the Drawer Back (O). Make sure the small wheels on the Drawer Sides (R & S) are next to the Drawer Back (O).



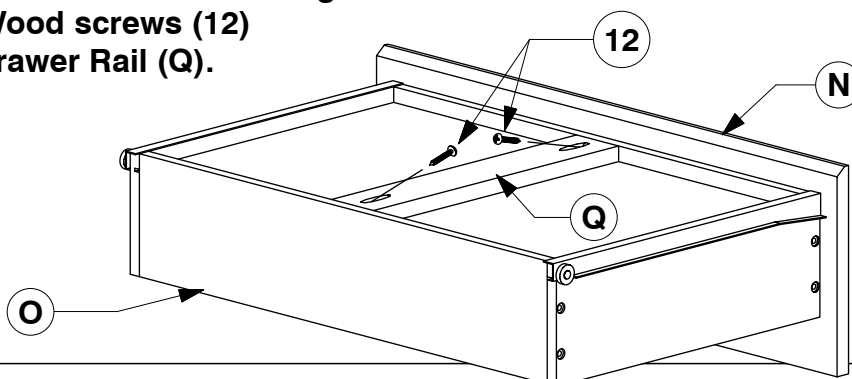
- 6** Slide the Drawer Bottom (P) into the groove on the Drawer Sides (R & S).



- 7** Assemble the Drawer Face (N) to the Drawer Sides (R & S).



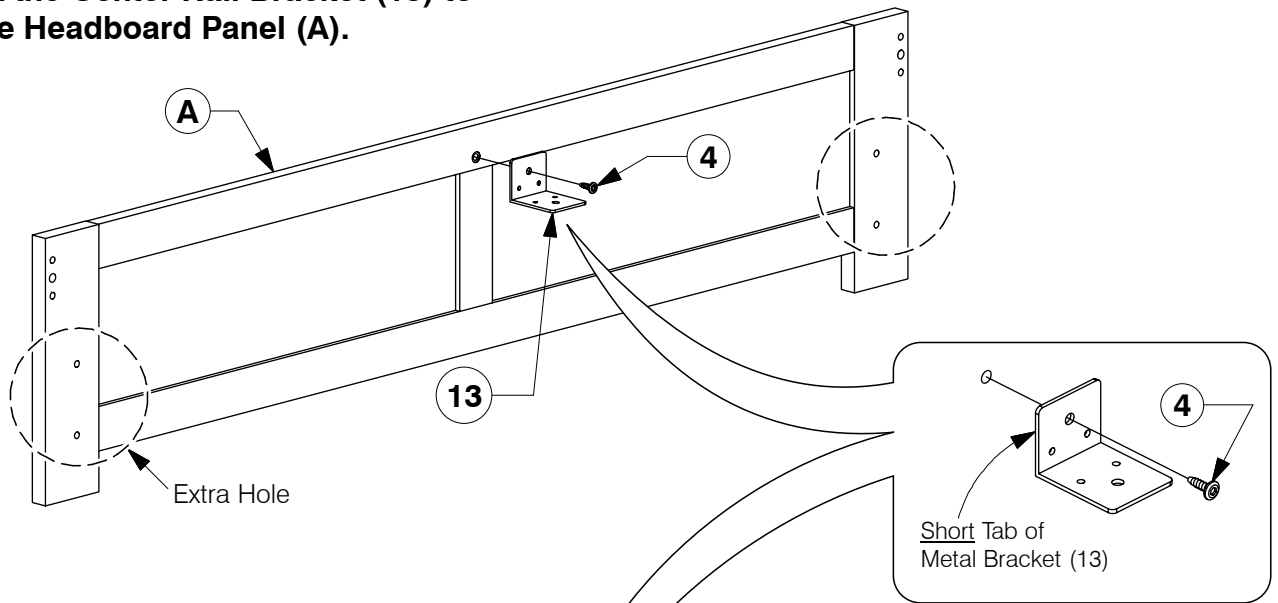
- 8** Turn the Drawer over to fit angled 25mm Wood screws (12) to the Drawer Rail (Q).



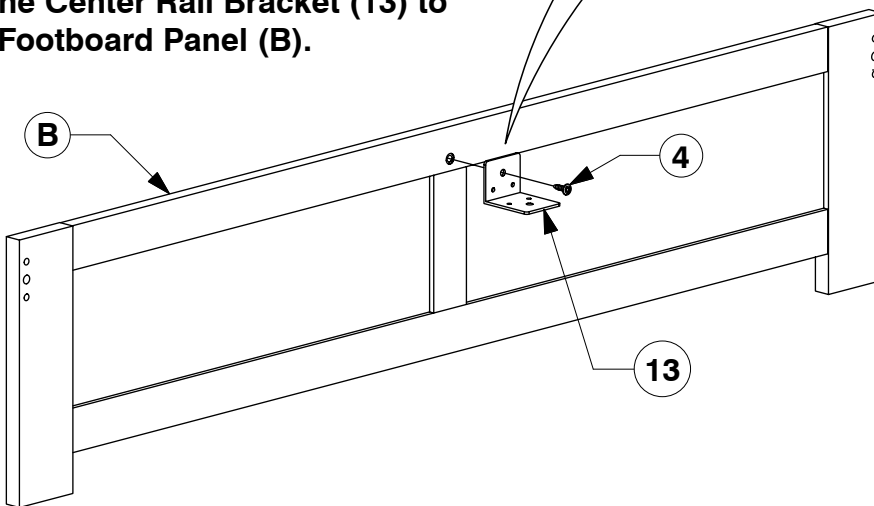
# Full Bed

## Assembly Instructions

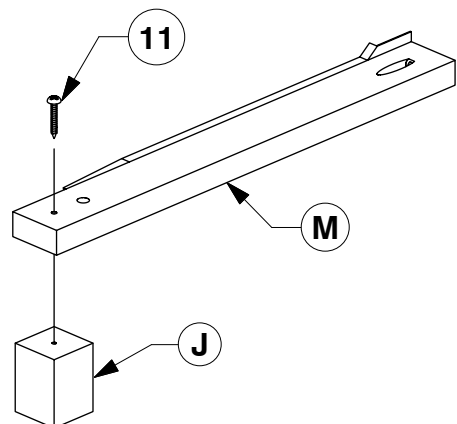
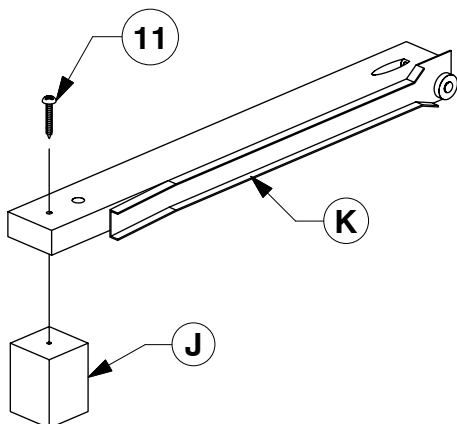
- 9** Fit the Center Rail Bracket (13) to the Headboard Panel (A).



- 10** Fit the Center Rail Bracket (13) to the Footboard Panel (B).



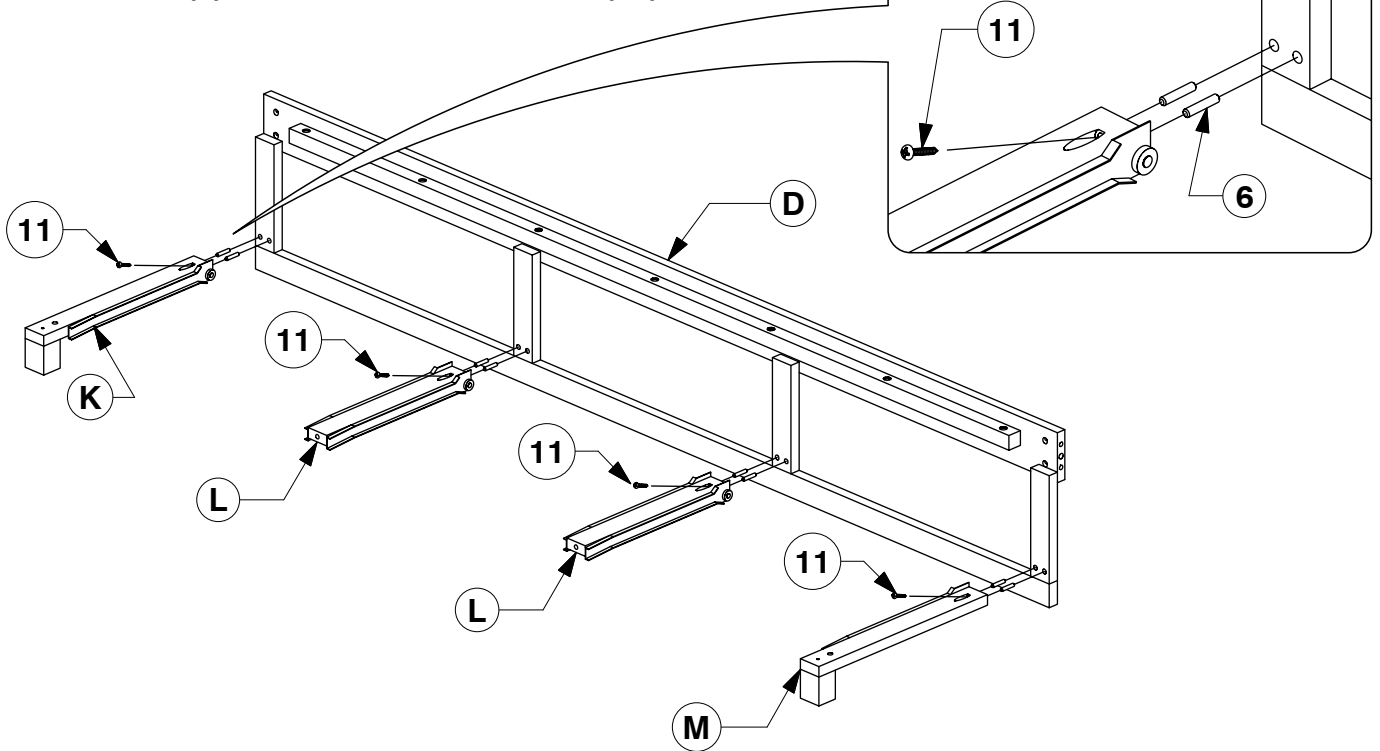
- 11** Assemble the Drawer Support Leg (J) to the Drawer Support Rail (K & M).



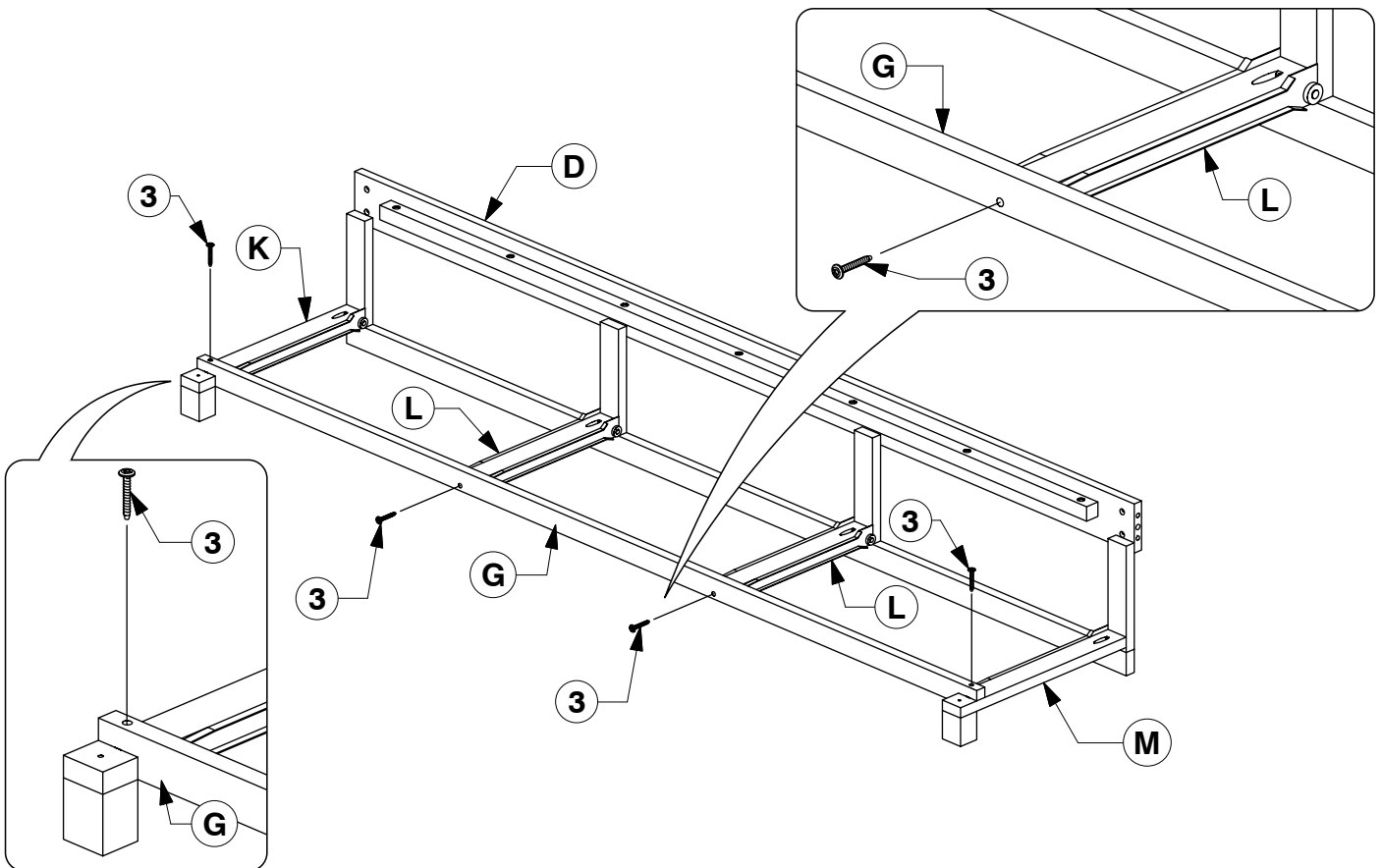
# Full Bed

## Assembly Instructions

- 12** Attach the Drawer Support Rail (K, L & M) to the Front Side Rail (D) using the Wood Dowels (6) and 32mm Wood Screw (11).



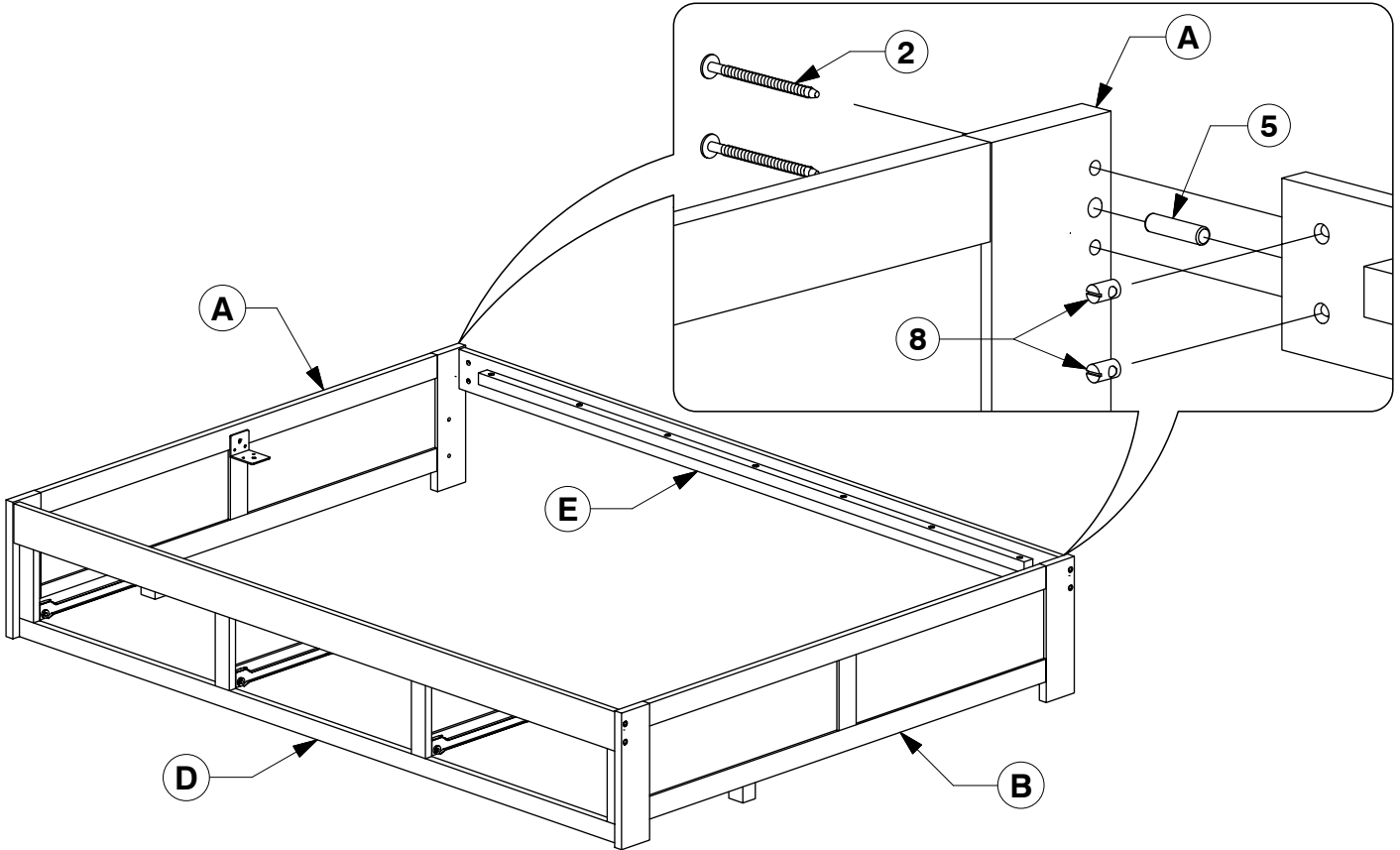
- 13** Bolt the Center Drawer Support (G) to the Drawer Support Rail (K, L & M).



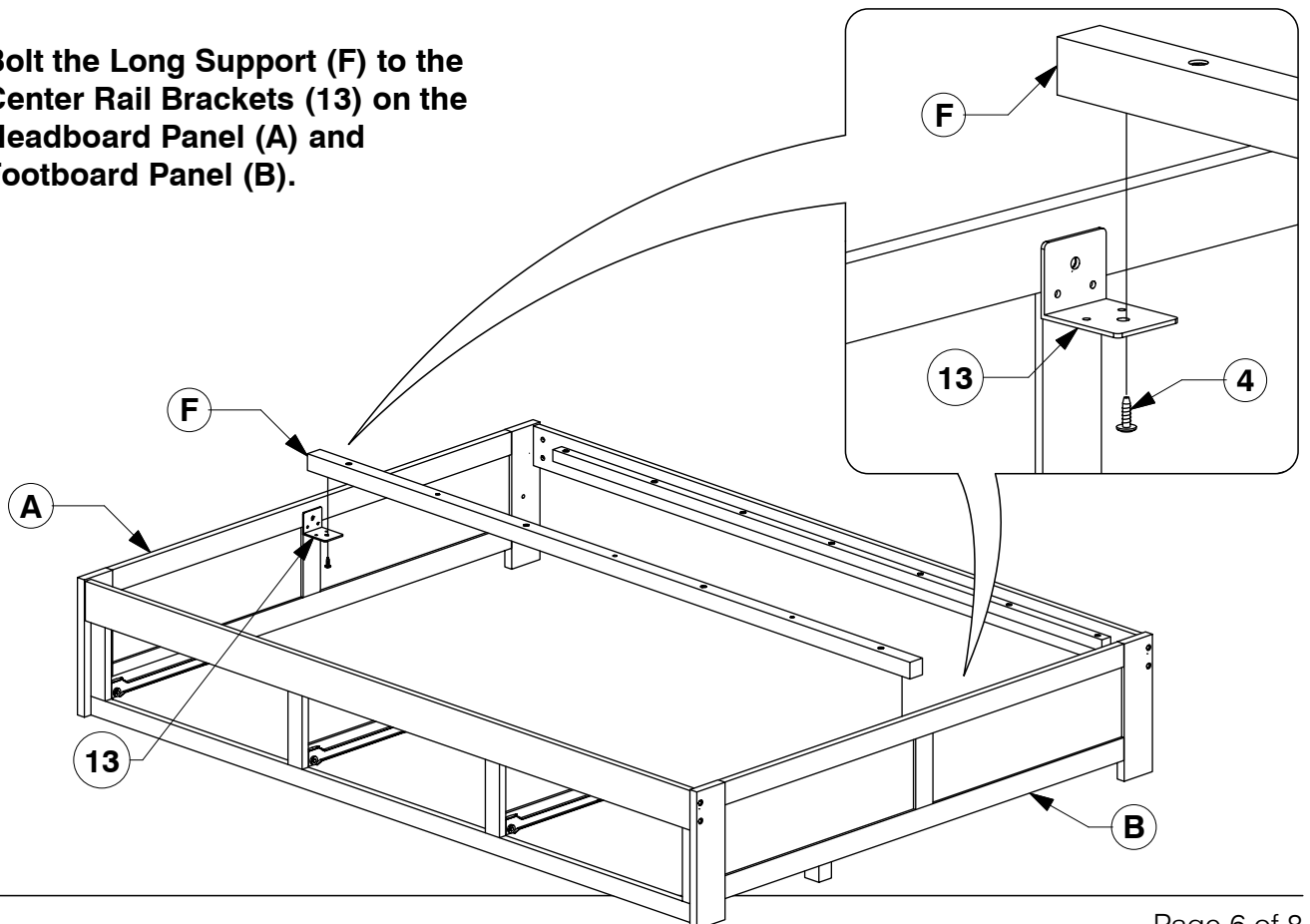
# Full Bed

## Assembly Instructions

- 14** Assemble the Side Rail (D & E) to the assembled Headboard Panel (A) and Footboard Panel (B).



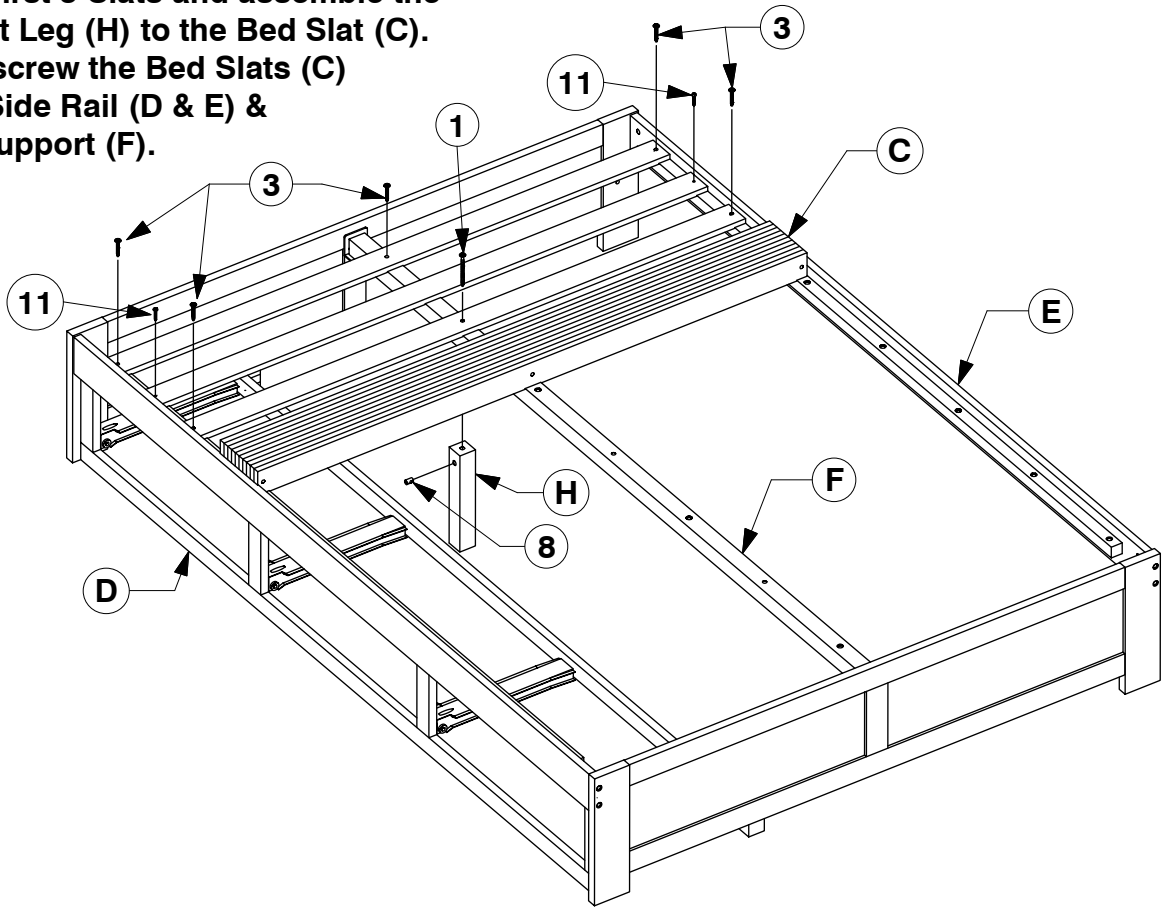
- 15** Bolt the Long Support (F) to the Center Rail Brackets (13) on the Headboard Panel (A) and Footboard Panel (B).



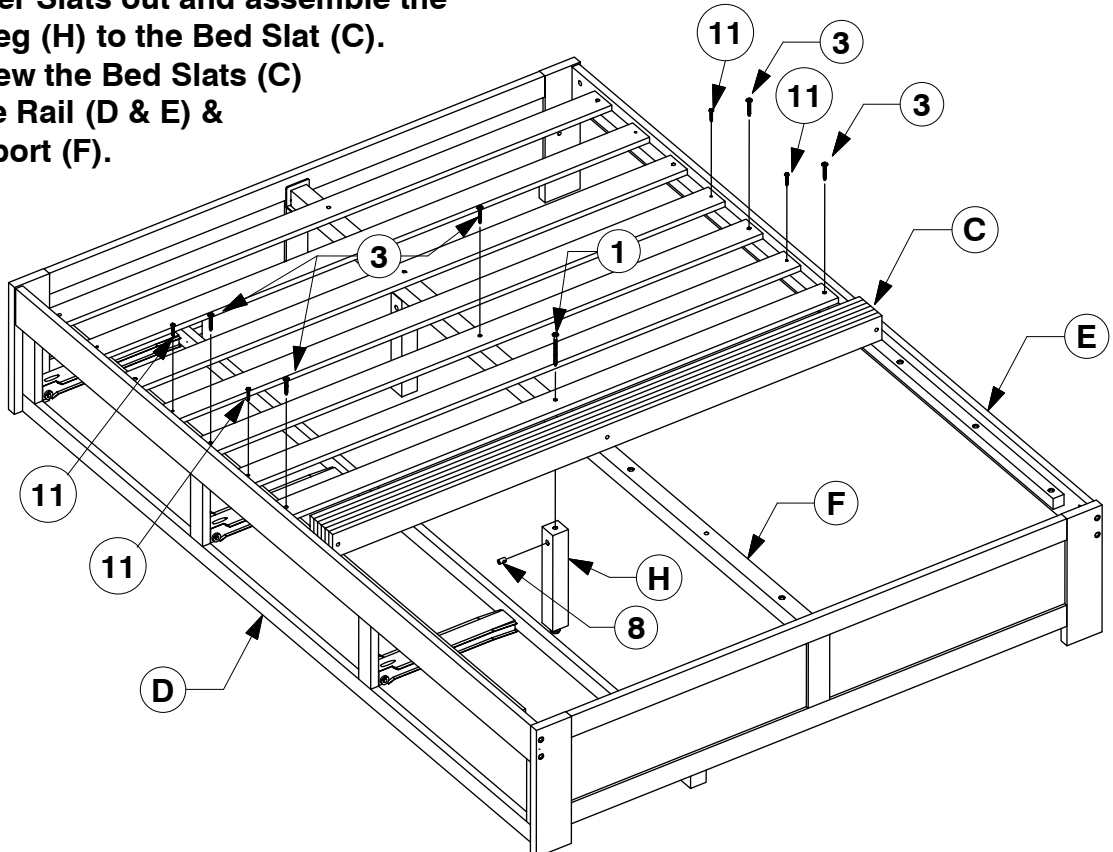
# Full Bed

## Assembly Instructions

- 16** Fit the first 3 Slats and assemble the Support Leg (H) to the Bed Slat (C). Bolt & screw the Bed Slats (C) to the Side Rail (D & E) & Long Support (F).



- 17** Fit the other Slats out and assemble the Support Leg (H) to the Bed Slat (C). Bolt & screw the Bed Slats (C) to the Side Rail (D & E) & Long Support (F).

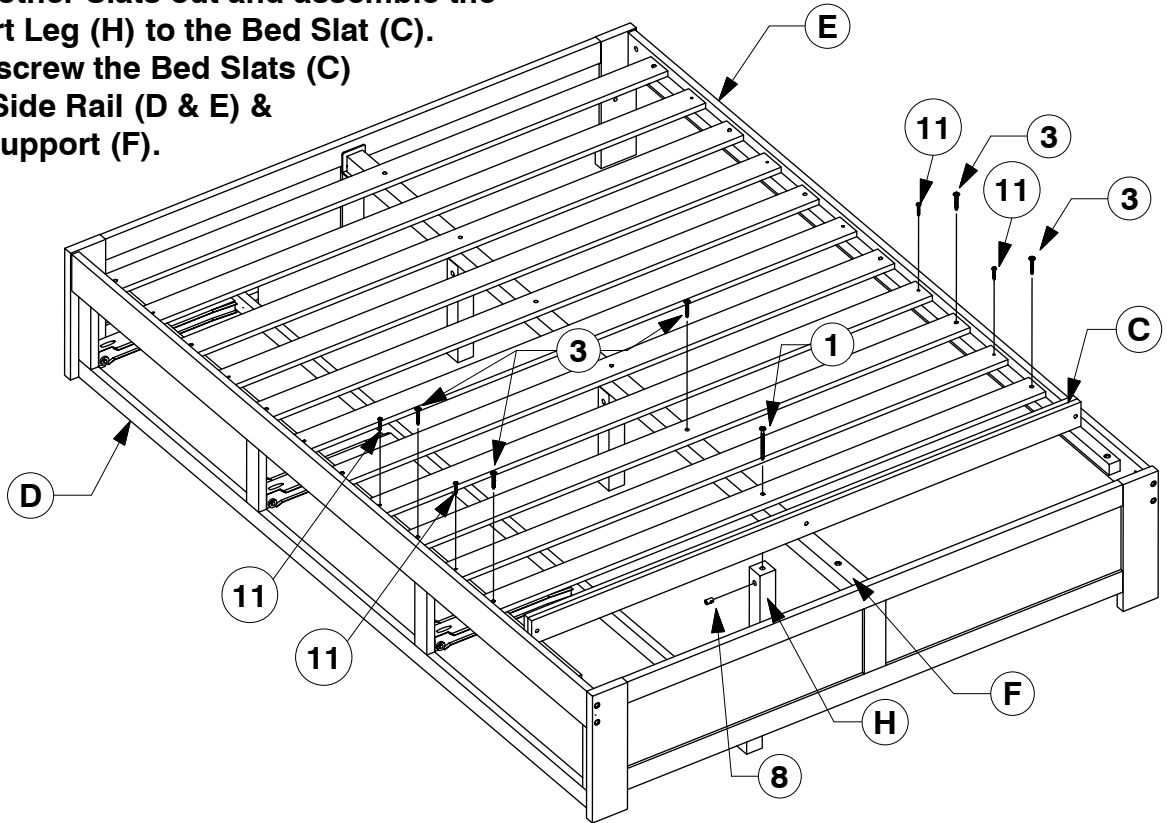




# Full Bed

## Assembly Instructions

- 18** Fit the other Slats out and assemble the Support Leg (H) to the Bed Slat (C). Bolt & screw the Bed Slats (C) to the Side Rail (D & E) & Long Support (F).



- 19** Bolt & screw the remaining Bed Slats (C) to the Side Rail (D & E).  
Finally fit the assembled Drawers.

