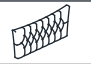
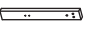

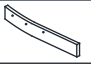





















# ASSEMBLY INSTRUCTION

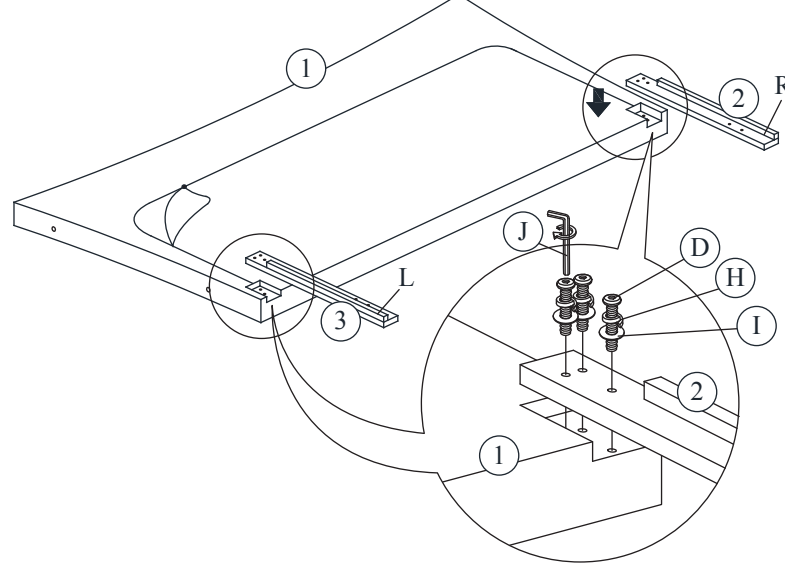
ITEM : EASTON-QB

NO	PARTLIST	QTY
1	 HEADBOARD CUSHION 1PC	1PC
2	 HEADBOARD LEG WITH LABEL "R" 1PC	1PC
3	 HEADBOARD LEG WITH LABEL "L" 1PC	1PC
4	 WING (R) 1PC	1PC
5	 WING (L) 1PC	1PC
6	 FOOTBOARD 1PC	1PC
7	 FOOTBOARD LEG 2PCS	2PCS
8	 SIDE RAIL 2PCS	2PCS
9	 SIDE RAIL 2PCS	2PCS
10	 SIDE RAIL LEG 2PCS	2PCS
11	 SLAT 4PCS	4PCS
12	 SUPPORT LEG WITH ADJUSTABLE FEET 4PCS	4PCS

ITEM	HARDWARE	QTY
A	 JCBB SCREW M8 x 20MM 8PCS	8PCS
B	 JCBC SCREW M6 x 15MM 6PCS	6PCS
C	 JCBC SCREW M6 x 25MM 8PCS	8PCS
D	 JCBC SCREW M6 x 35MM 12PCS	12PCS
E	 JCBC SCREW M6 x 60MM 2PCS	2PCS
F	 PANHEAD M4 x 38MM 4PCS	4PCS
G	 SCREW M4 x 32MM 8PCS	8PCS
H	 SPRING WASHER M6 x 12MM 18PCS	18PCS
I	 FLAT WASHER M6 x 19MM 18PCS	18PCS
J	 L - KEY M4 x 65MM 1PC	1PC
K	 L - KEY M5 x 65MM 1PC	1PC

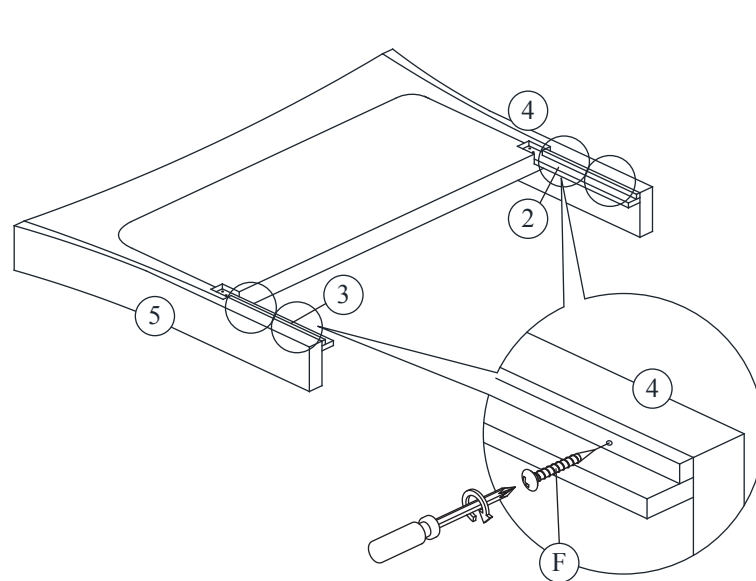
## STEP 1

Please open the zipper on the back of Headboard Cushion (1) to get more parts. Begin assembly by attaching each Headboard Leg (2) & (3) to the bottom of the Headboard Cushion (1) by aligning the hole and securing with 3 Allen Bolts (E), 3 Spring Washer (F), 3 Flat Washer (G) per leg using L-Key (I).



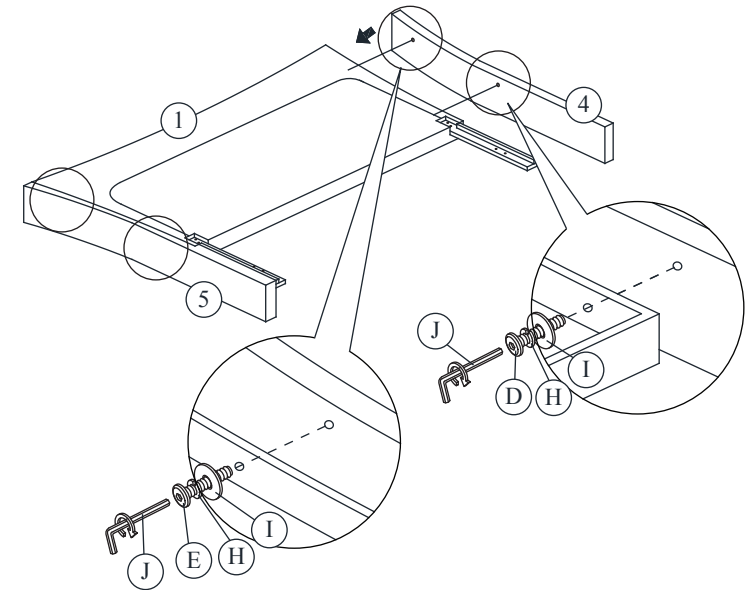
## STEP 3

Attach the pre-set cleat of Headboard Leg (2) & (3) to Wing (4) & (5) by securing with 2 Screws (F) using Philips Head Screw Driver (NOT INCLUDED) each side.



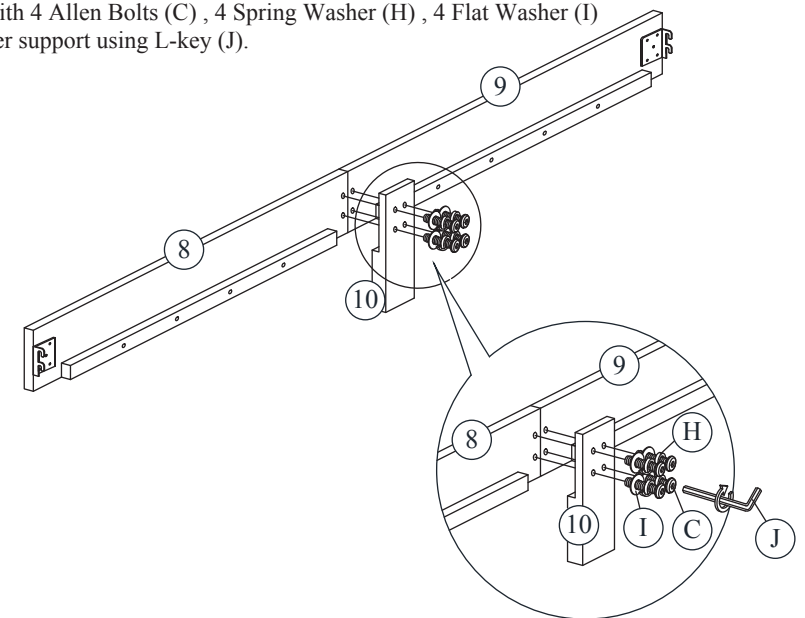
## STEP 2

Attach each wing (4) & (5) to each side of Headboard Cushion (1) by aligning the hole and securing with 1 Allen Bolt (D), 1 Allen bolt (E), 2 Spring Washer (H), 2 Flat Washer (I) per side using L-key (J).



## STEP 4

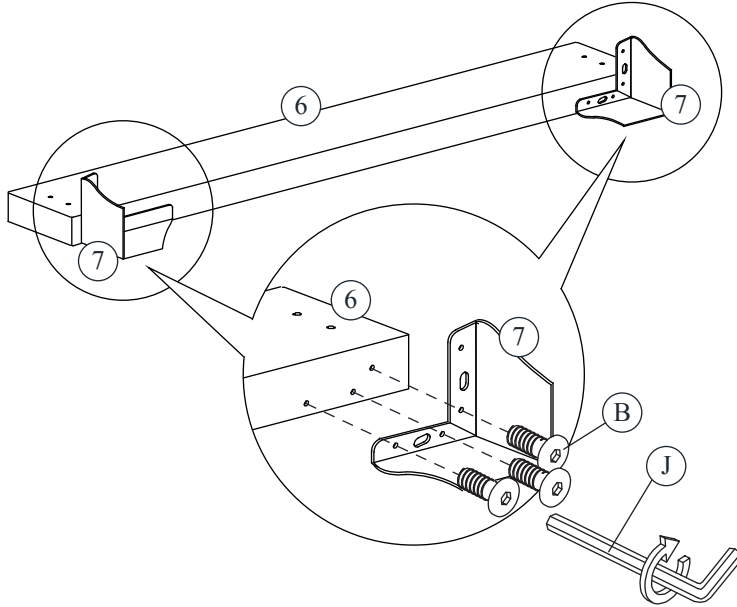
Attach the side rail support leg (10) to join of the side rail (8) & (9) by securing with 4 Allen Bolts (C), 4 Spring Washer (H), 4 Flat Washer (I) per support using L-key (J).



# ASSEMBLY INSTRUCTION

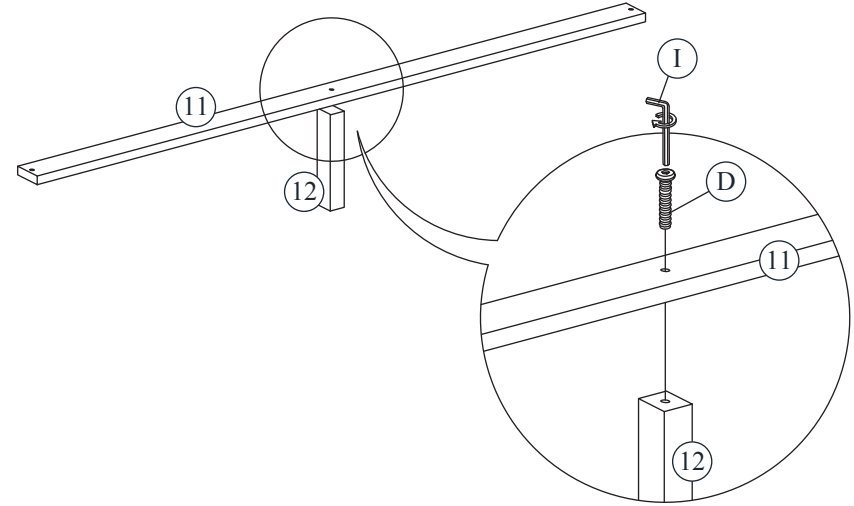
## STEP 5

Attach each Footboard Legs (7) to the bottom of the Footboard Cushion (6) by securing with 3 Allen Bolts (B) per leg using L-Key (J).



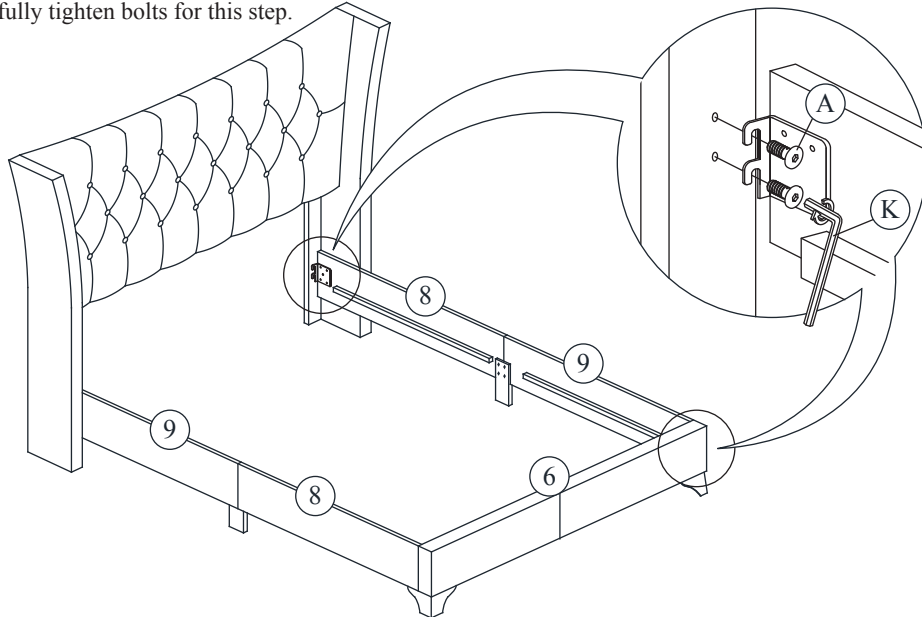
## STEP 6

Attach Support Legs (12) to Slat (11) by securing with 1 Allen Bolt (D) per support leg using L-Key (I).



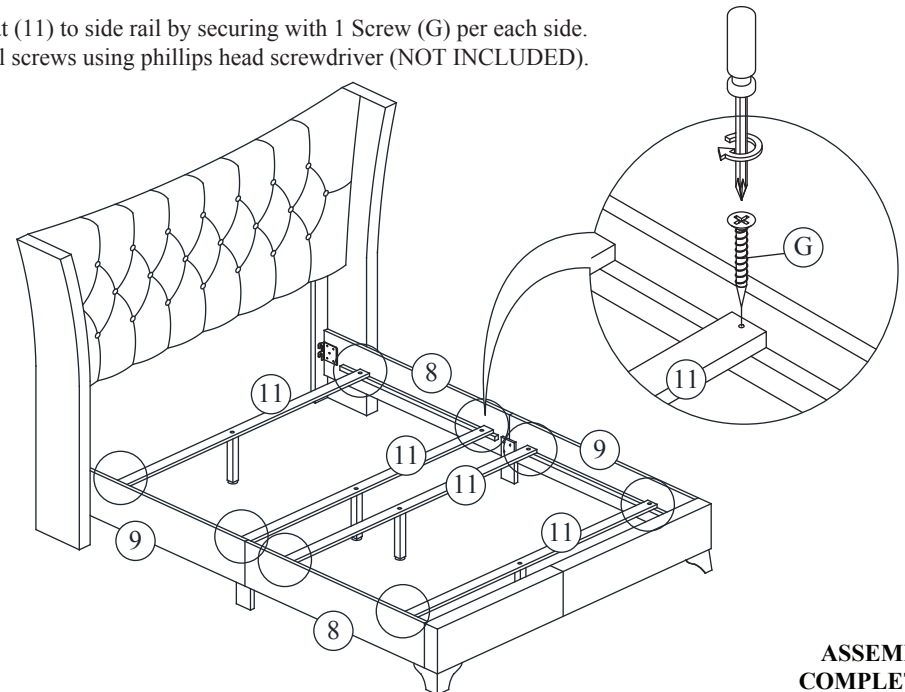
## STEP 7

Attach Side Rail to the Headboard Leg (2) & (3) & Footboard Cushion (6). Aligning holes and securing with 2 Allen Bolts (A) per each and using L-Key (K). Do not fully tighten bolts for this step.



## STEP 8

Attach Slat (11) to side rail by securing with 1 Screw (G) per each side. Tighten all screws using phillips head screwdriver (NOT INCLUDED).



**ASSEMBLY  
COMPLETED**