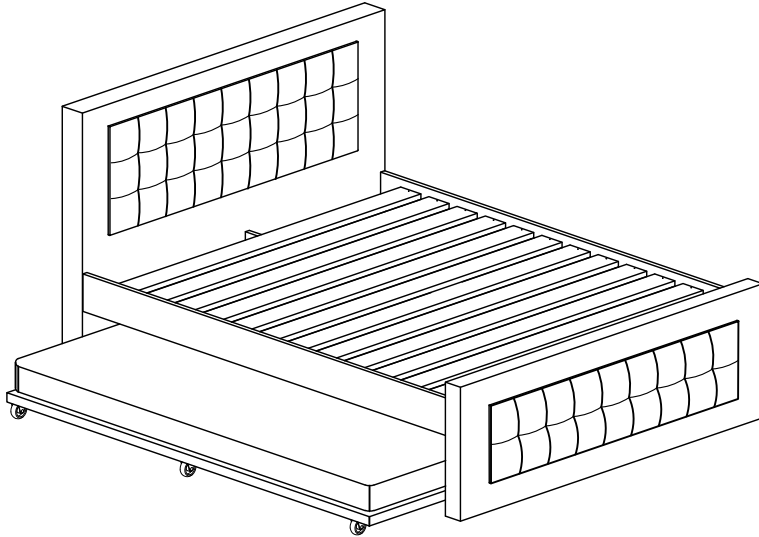


Assembly Instruction

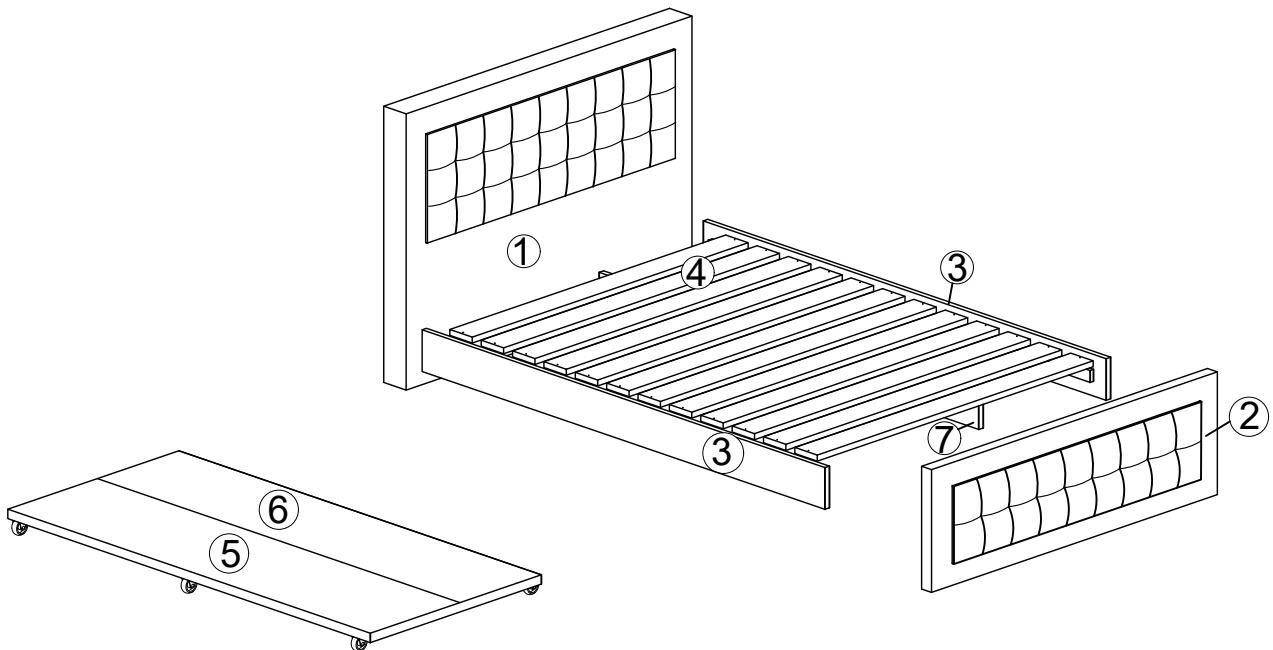
Model : DV 20803 FULL BED



Hardware List			
No.	SHAPE	DESCRIPTION	Qty.
A		M4x25mm Screw	24Pcs
B		JCBC M6x30mm	4Pcs
C		JCBB M8x20mm	12Pcs
D		L Key M4	1Pcs
E		L Key M5	1Pcs
F		Flat Washer M6 x 19	4Pcs

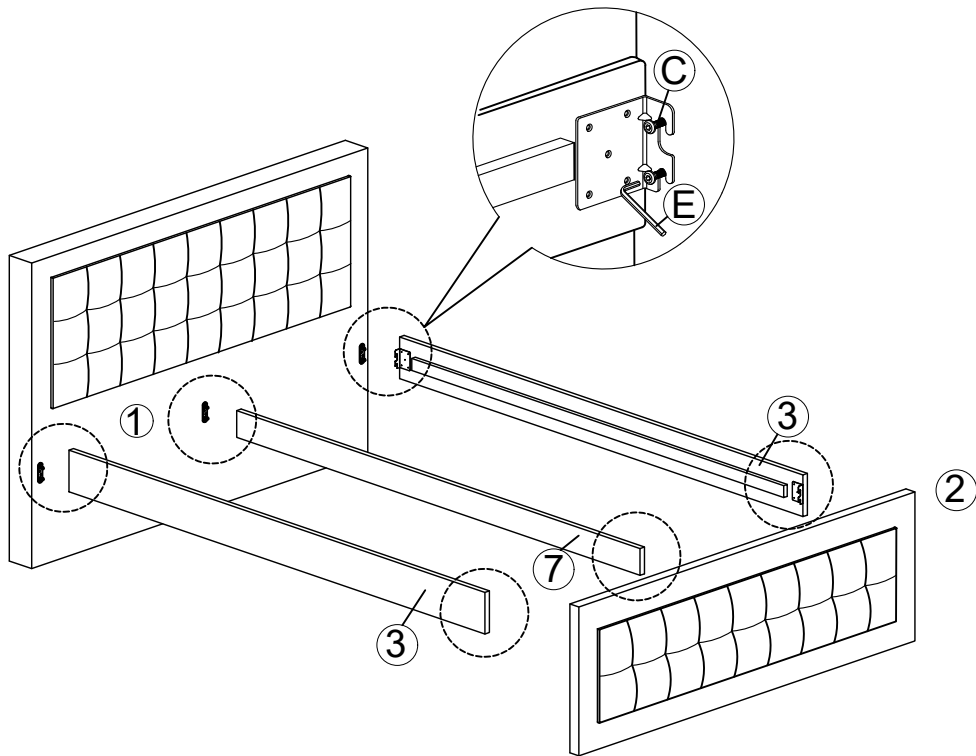
Part List		
No.	Part Name	Qty.
1	Head Board	1Pcs
2	Foot Board	1Pcs
3	Side Rail	2Pcs
4	LVL Slats	12Pcs
5&6	Pull out bed	2Pcs
7	Center Slat Support	1Pcs

Part List

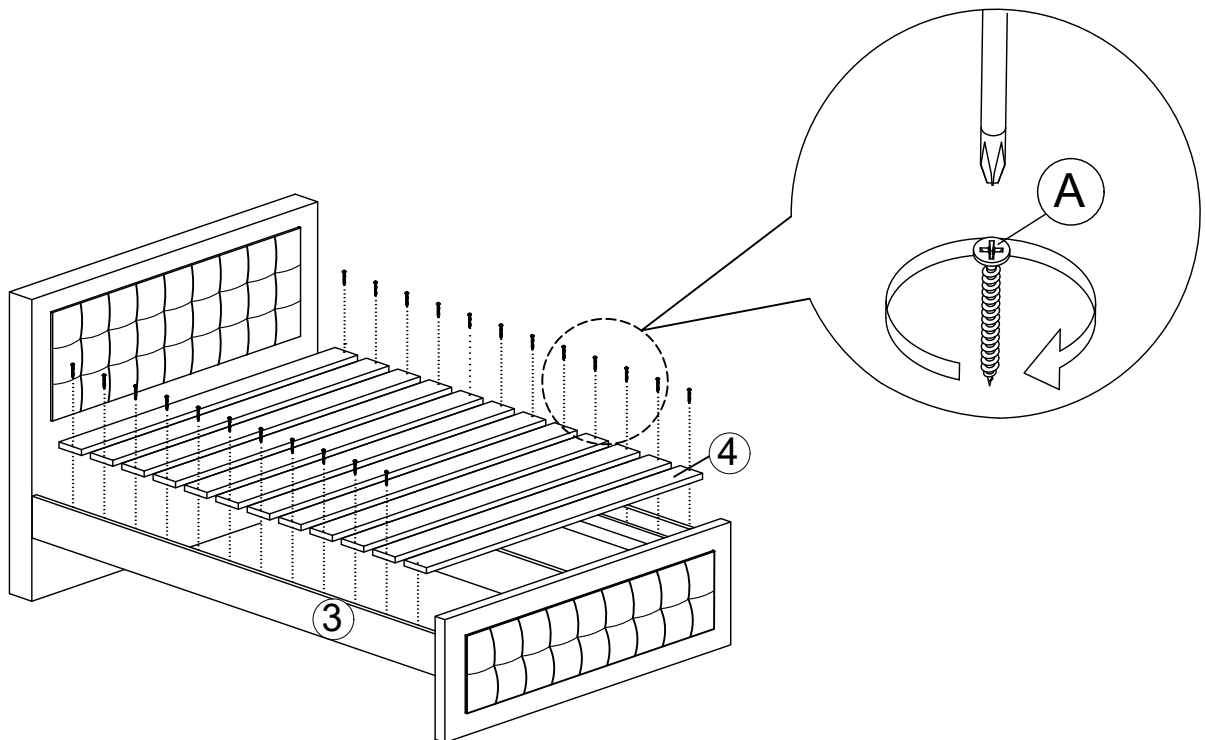


Assembly Instruction

Step 1

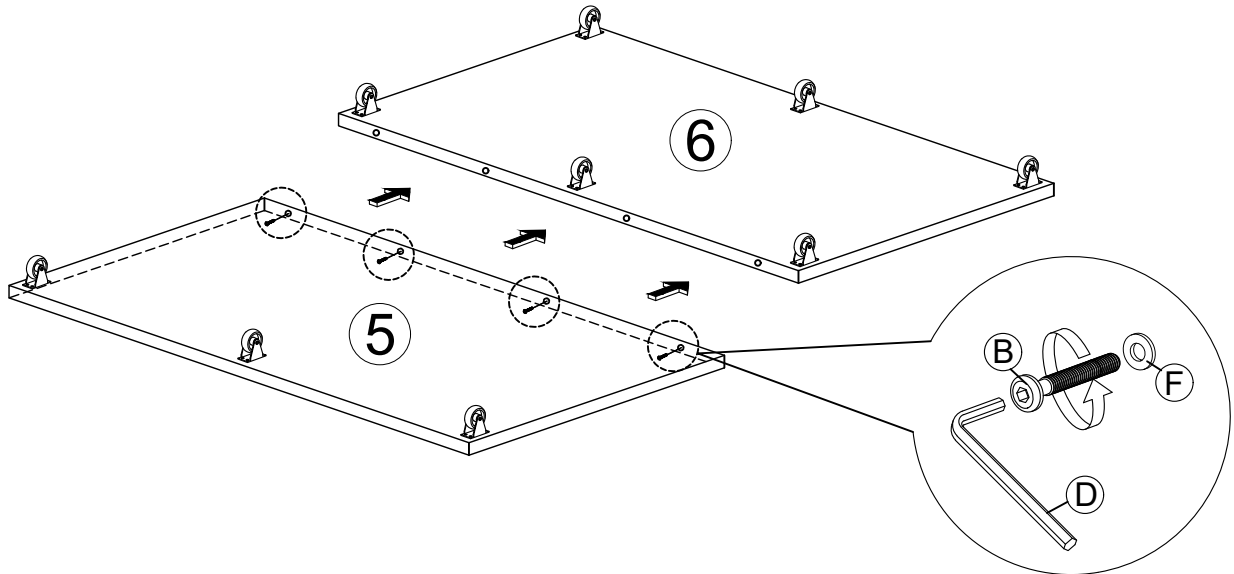


Step 2



Assembly Instruction

Step 3



Step 4

