

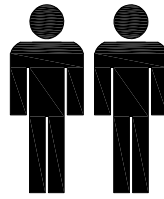
**MODEL NAME:**

**DV 9990-00**

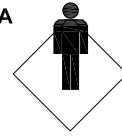
**1.0hr**

**APPROXIMATE ASSEMBLY TIME**

**2 PERSON ASSEMBLY**

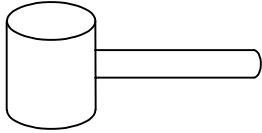


**FLOOR AREA  
2.0M X 2.0M**

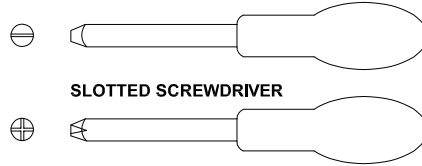


**REQUIRED ASSEMBLY SPACE**

**REQUIRED ASSEMBLY TOOLS**

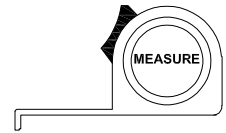


**SOFT RUBBER HAMMER**

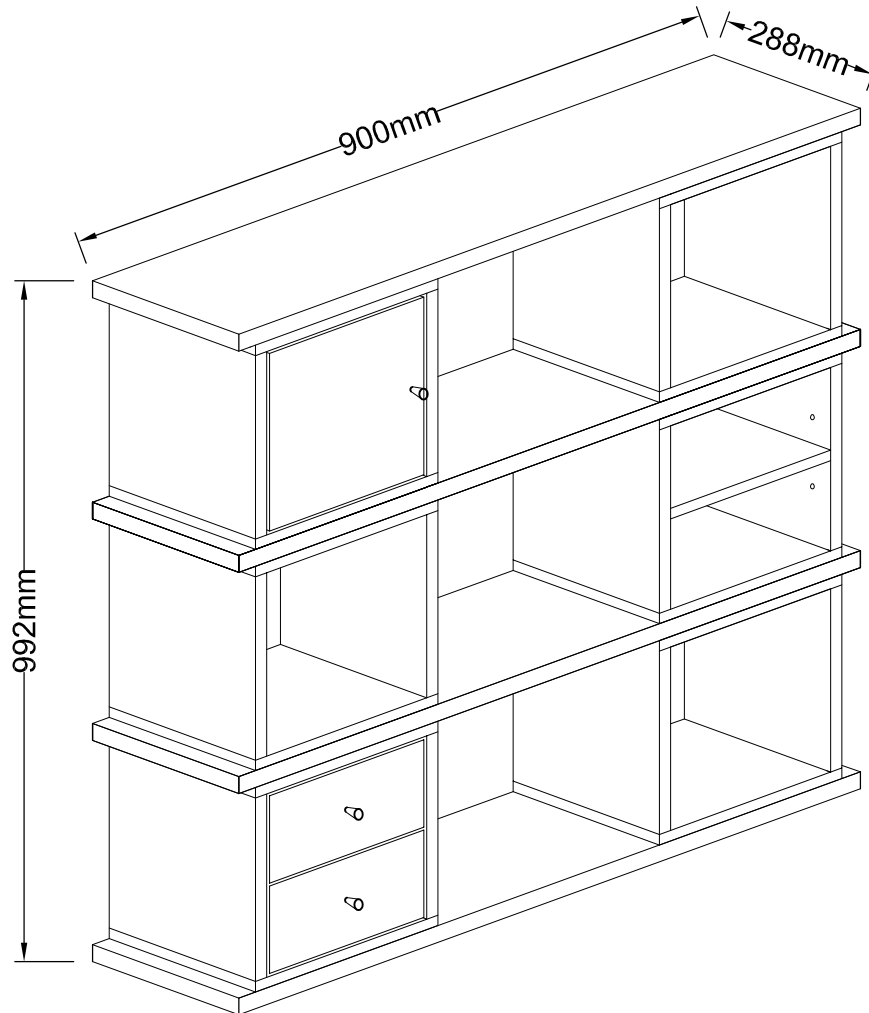


**SLOTTED SCREWDRIVER**

**POZI SCREWDRIVER**



**MEASURING TAPE**



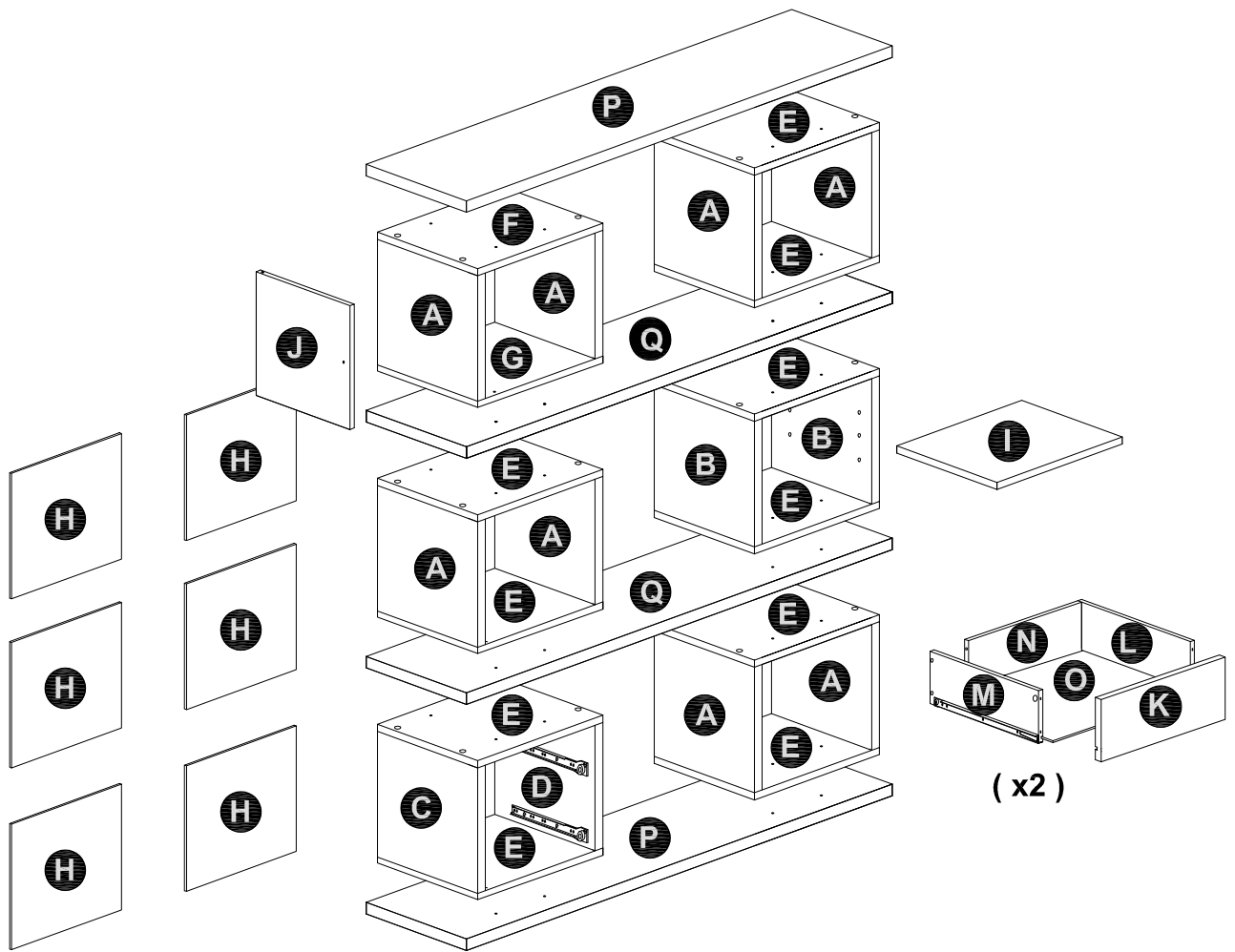
**NOTE : THE MAXIMUM WEIGHT THIS PRODUCT CAN HOLD UP TO IS 25 KGS.**

**MODEL NAME:**

**DV 9990-00**

NO.	PART LIST	QTY	NO.	PART LIST	QTY
(A)	SIDE PANEL-A	8	(J)	DOOR PANEL	1
(B)	SIDE PANEL-B	2	(K)	DRAWER FRONT	2
(C)	SIDE PANEL-C (LEFT)	1	(L)	DRAWER SIDE -RIGHT	2
(D)	SIDE PANEL-C (RIGHT)	1	(M)	DRAWER SIDE -LEFT	2
(E)	TOP & BOTTOM PANEL-A	10	(N)	DRAWER BACK PANEL	2
(F)	TOP PANEL-B	1	(O)	DRAWER BASE	2
(G)	BOTTOM PANEL-B	1	(P)	PANEL-A	2
(H)	BACK PANEL	6	(Q)	PANEL-B	2
(I)	ADJUSTABLE PANEL	1			

**PARTS LIST**



MODEL NAME:

DV 9990-00

### HARDWARE LIST

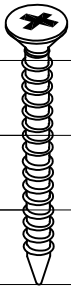
4cm

3cm

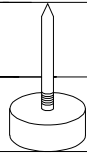
2cm

1cm

0cm



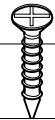
**48X**  
M8 x 38mm  
**1**  
FLAT HEAD  
SCREW



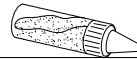
**8X**  
**2**  
LEG  
COVER



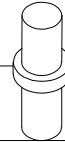
**16X**  
Dia.17mm  
**3**  
STICKER  
COVER



**4X**  
M3.5 x 12mm  
**4**  
FLAT HEAD  
SCREW



**2X**  
**5**  
GLUE 10CC



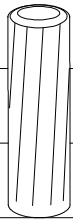
**4X**  
Dia.5 x 16mm  
**6**  
SHELVE  
STUB

3cm

2cm

1cm

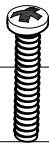
0cm



**28X**  
Dia.6 x 30mm  
**7**  
WOOD  
DOWEL



**3X**  
**8**  
KNOB



**3X**  
M4 x 19mm  
**9**  
PAN HEAD  
SCREW



**56X**  
M3.5 x 25mm  
**10**  
FLAT HEAD  
SCREW



**4X**  
M6.5  
**11**  
QUICKFIT

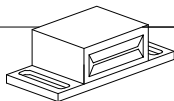


**4X**  
Dia.15mm  
**12**  
DRAWER  
CAMLOCK

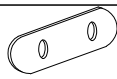
2cm

1cm

0cm



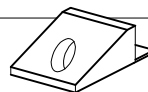
**1X**  
M43 x 13mm  
**13**  
MAGNET



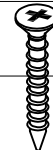
**1X**  
M43 x 12mm  
**14**  
WASHER



**2X**  
**15**  
SPRING DOOR  
SUPPORT



**24X**  
**16**  
BACKPLY  
STOPPER



**24X**  
M3 x 20mm  
**17**  
FLAT HEAD  
SCREW



**2X**  
**18**  
ANTI TIP STRAP

**MODEL NAME:**

**DV 9990-00**

### **Top Tips before you start!**

1. Please check that all parts are present before you start the assembly of your furniture.
2. For ease and speed of assembly, we recommend that before you commence each step of the assembly, that you identify all the parts required for that step.
3. For larger items, please ensure that you have sufficient space and people (as indicated on page 1) to assemble your product safely
4. We recommend that, where possible, all items are assembled near to the area in which they will be placed in use, to avoid moving the product unnecessarily once assembled.
5. For the protection of your furniture, we recommend that the product is placed on a protected surface during assembly to prevent any damage.
6. During assembly please take care not to over-tighten any fittings, as this may damage the product.
7. Always place the product on a flat, steady and stable surface.
8. Do not sit or stand on the product. Do not use the product as a stepladder.
9. This product is intended for indoor, household use only as it is non industrial product.
10. This product is constructed from re-inforced hollow board. Excessive pressure causes irreparable damage. Please do not kneel on any part of this product during assembly.

### **Care and Maintenance of your Furniture**

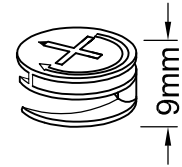
- Please periodically check all fittings and re-tighten as necessary.
- To clean your item, please use a damp cloth and wipe clean.
- Never allow any kind of liquid to remain on your furniture. Absorption can cause wood to warp or finishes to de-laminate.
- Please do not place hot items (e.g. hot drinks) directly on to the wood surface.
- Please do not drag and pull your furniture.

MODEL NAME:

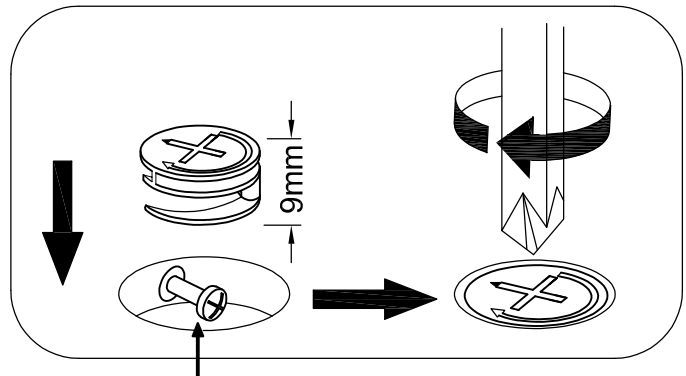
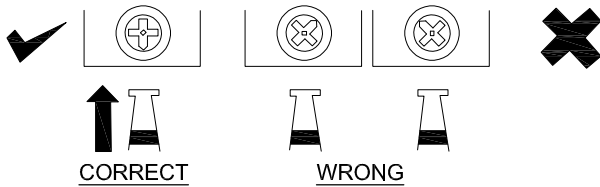
DV 9990-00

## SPECIAL TIPS FOR FITTING CAM-LOCKS AND QUICKFIT

**DRAWER CAM-LOCK**



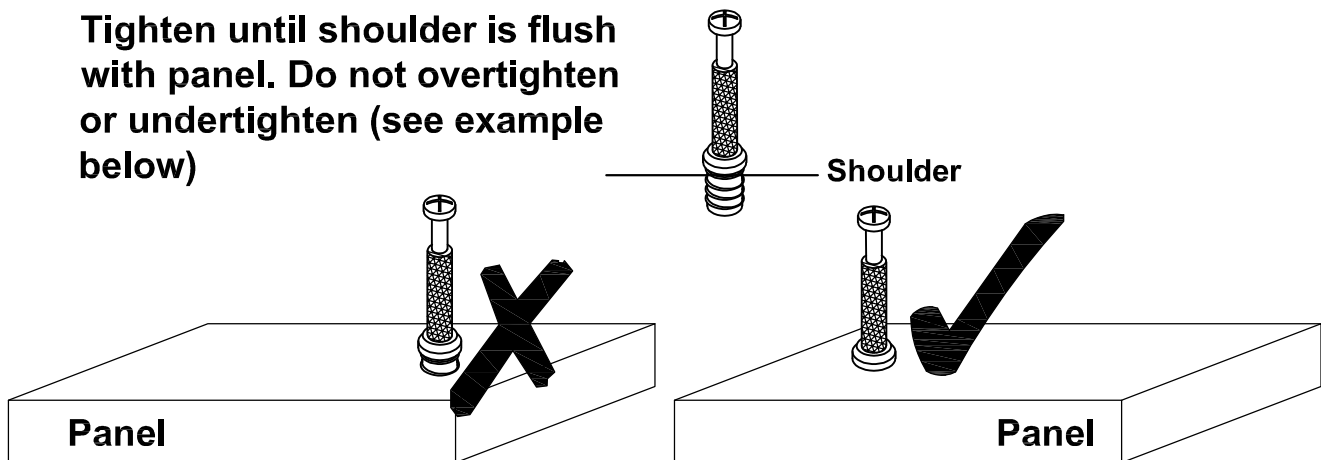
WHEN FITTING CAMLOCK  
ENSURE STARTING POSITION IS CORRECT  
BEFORE YOU INSERT CONNECTING QUICKFIT  
TURN CLOCKWISE UNTIL SECURE



**Quickfit head needs to be in centre**

### **CAM BOLT**

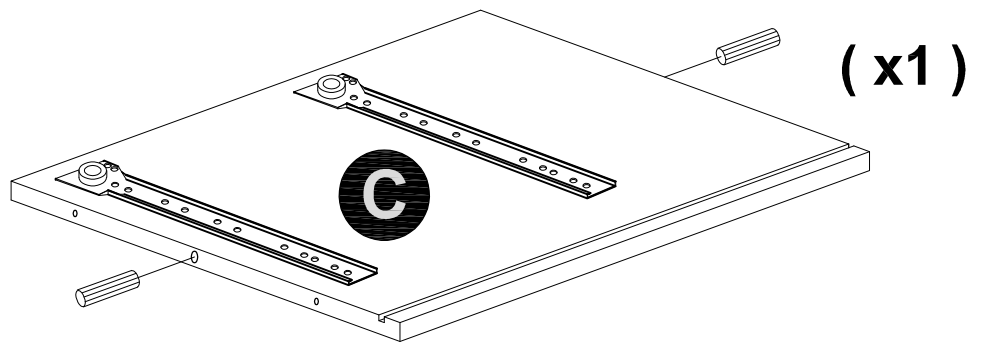
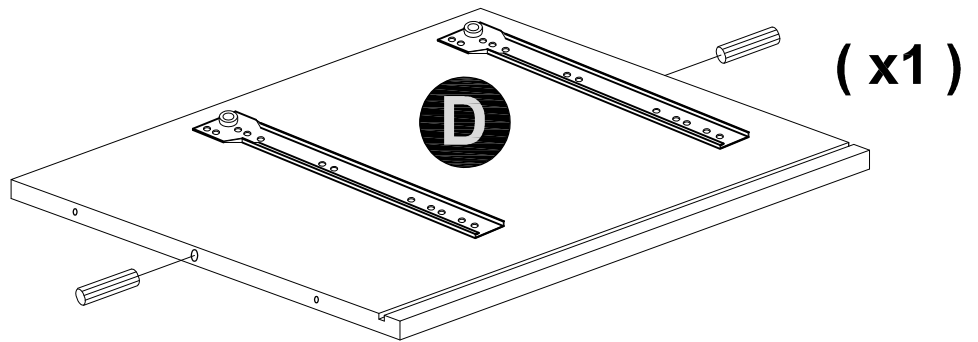
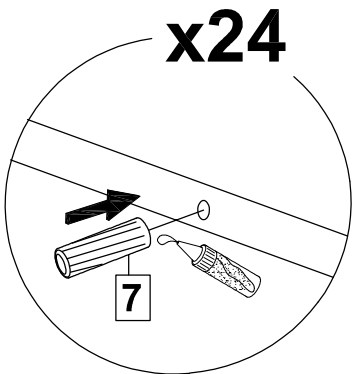
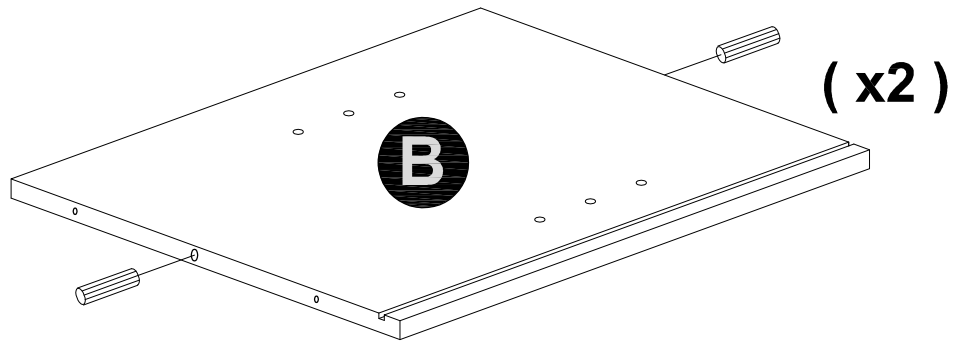
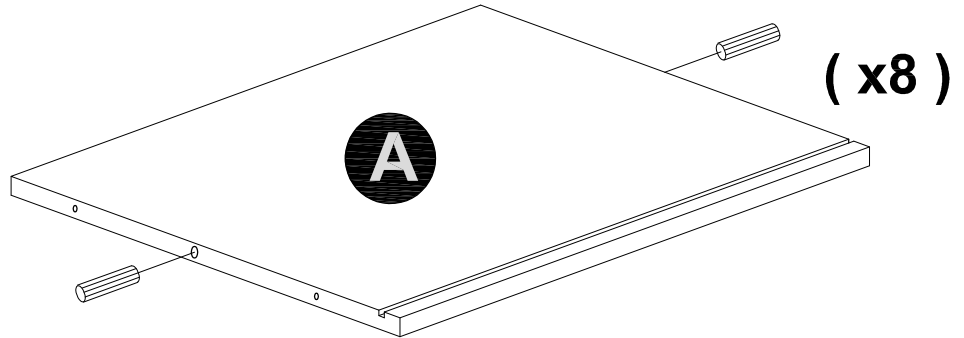
**Tighten until shoulder is flush with panel. Do not overtighten or undertighten (see example below)**



MODEL NAME:

DV 9990-00

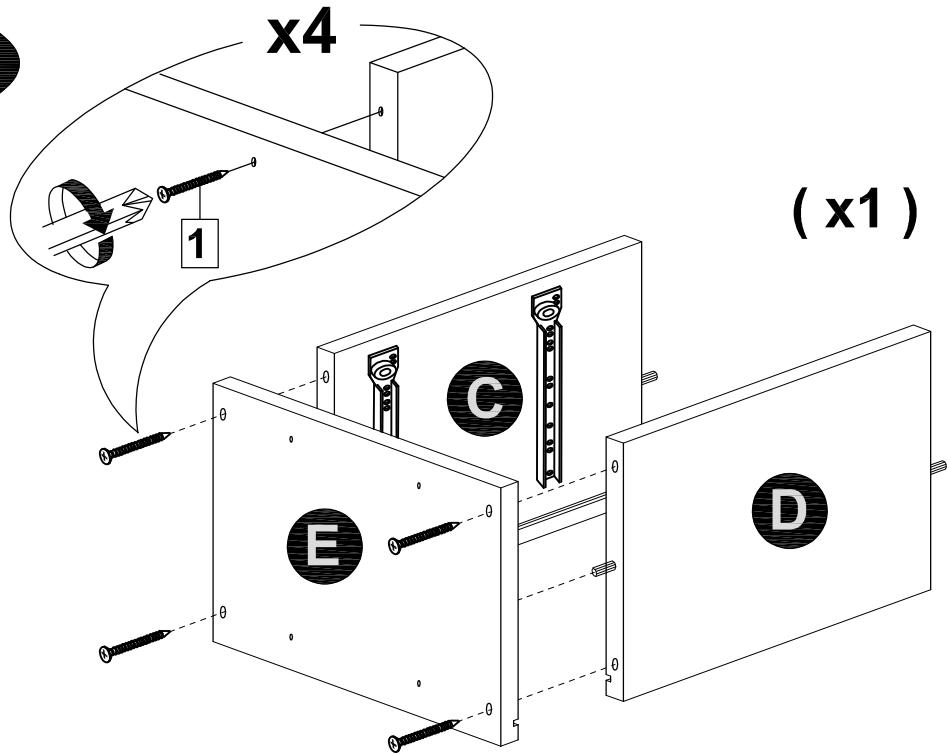
**STEP 1**



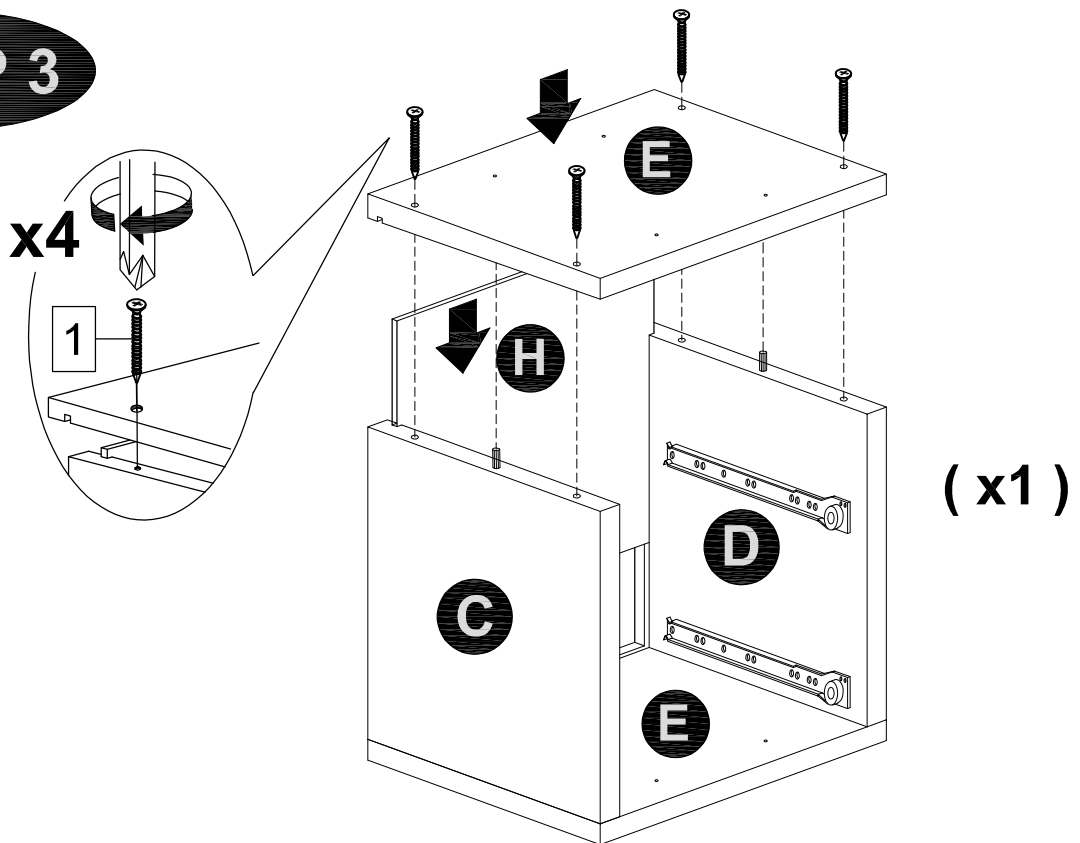
MODEL NAME:

DV 9990-00

**STEP 2**



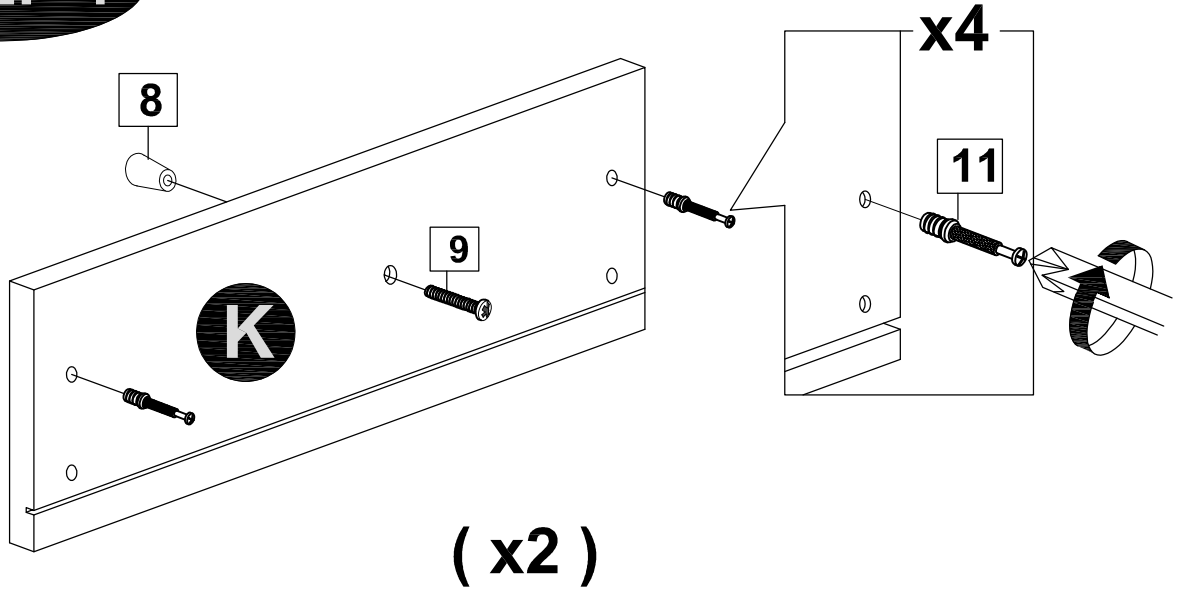
**STEP 3**



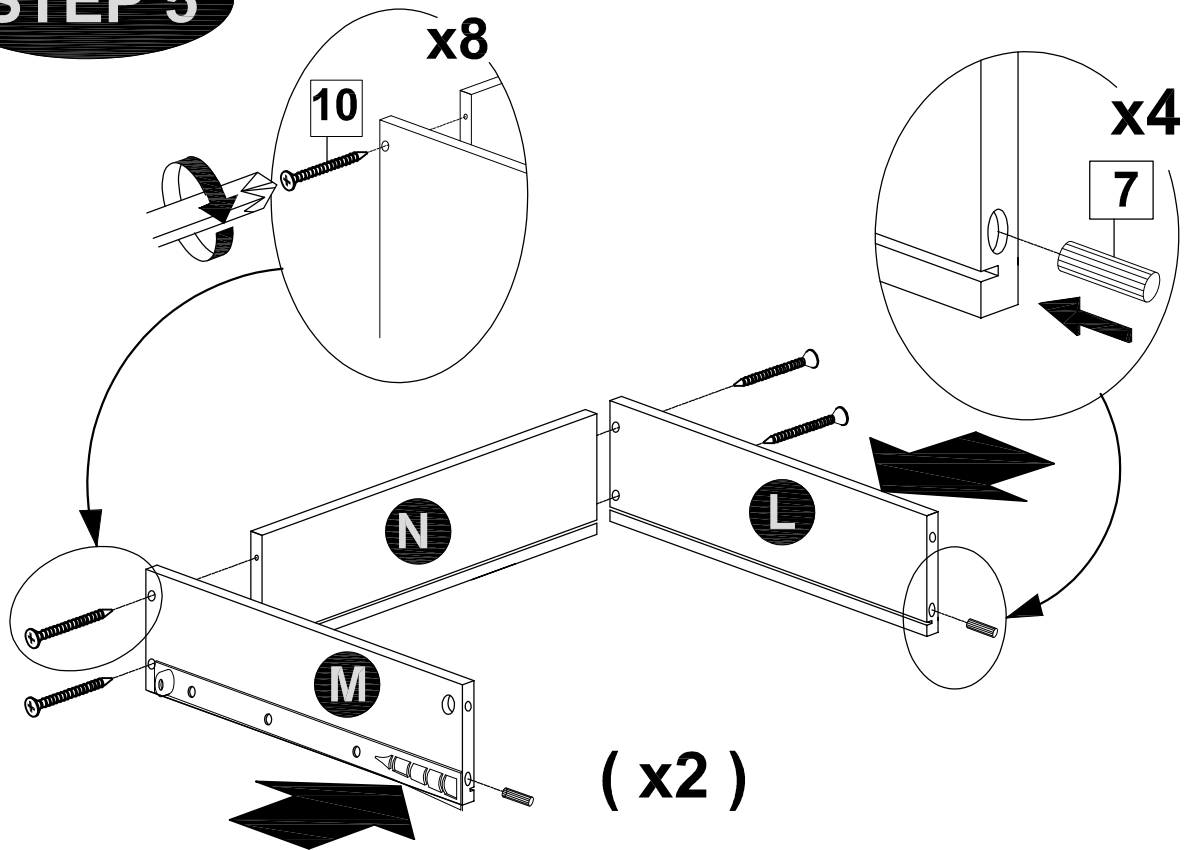
MODEL NAME:

DV 9990-00

**STEP 4**



**STEP 5**

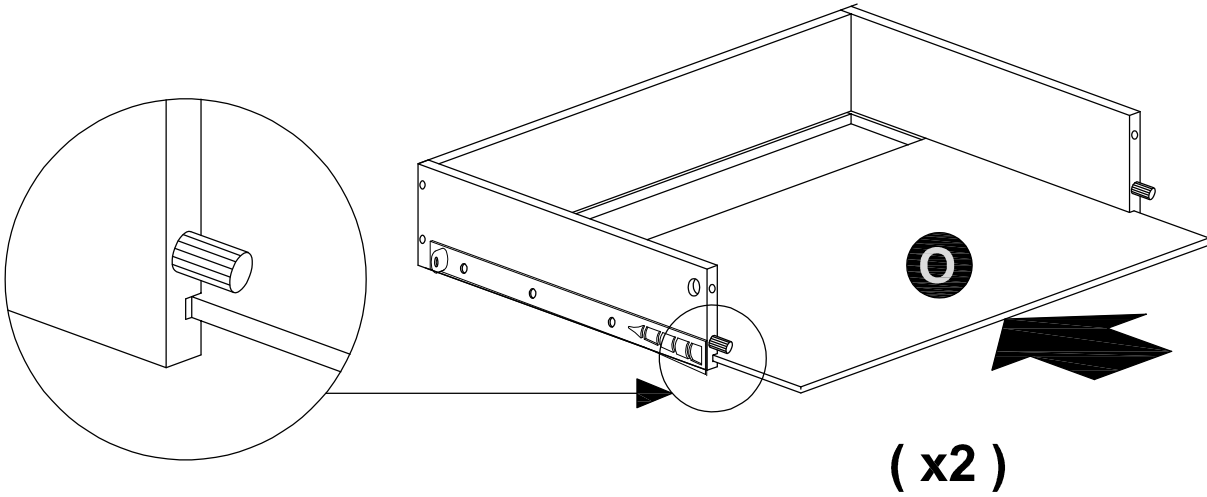




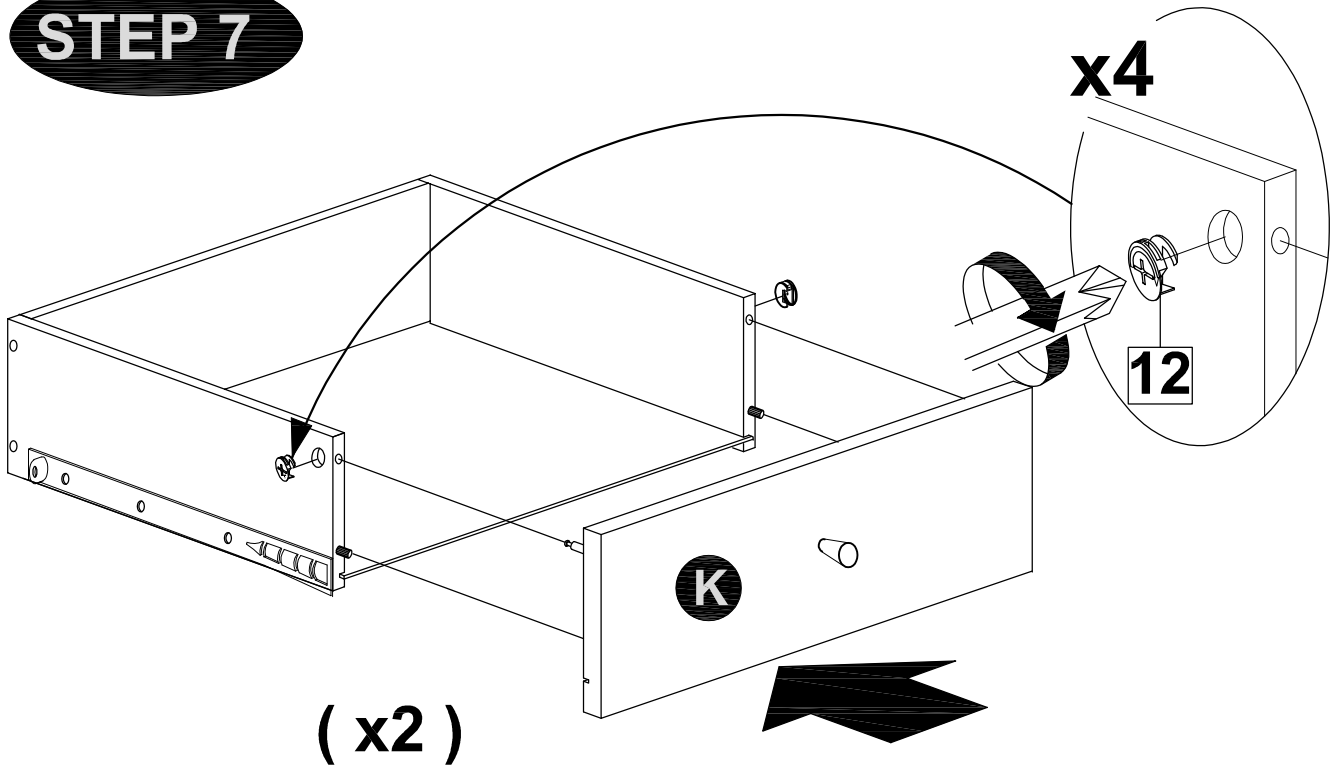
MODEL NAME:

DV 9990-00

**STEP 6**



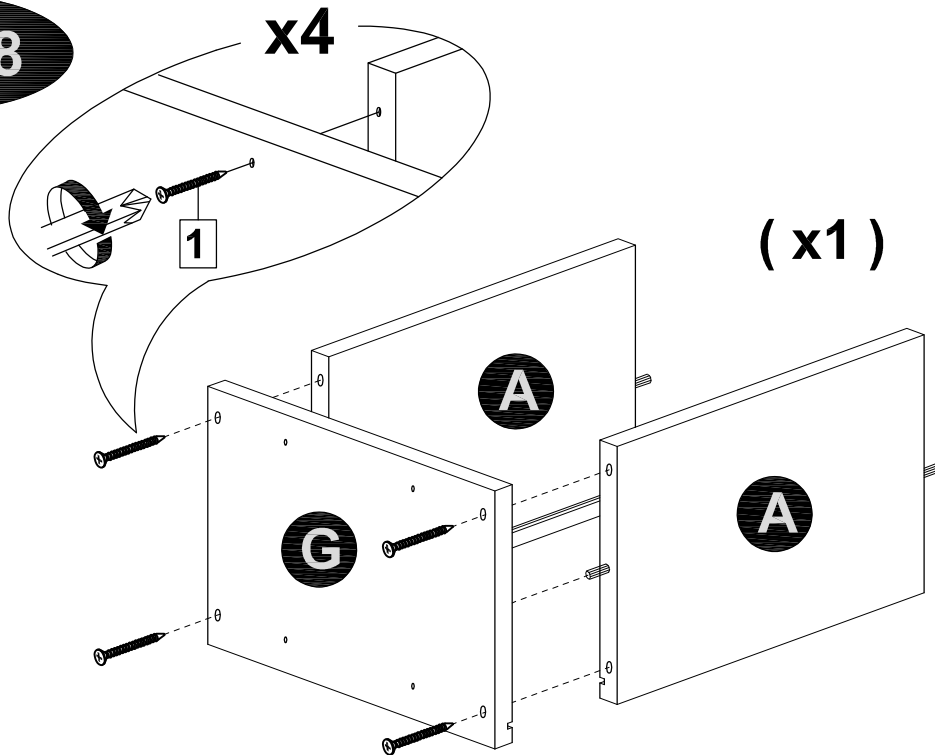
**STEP 7**



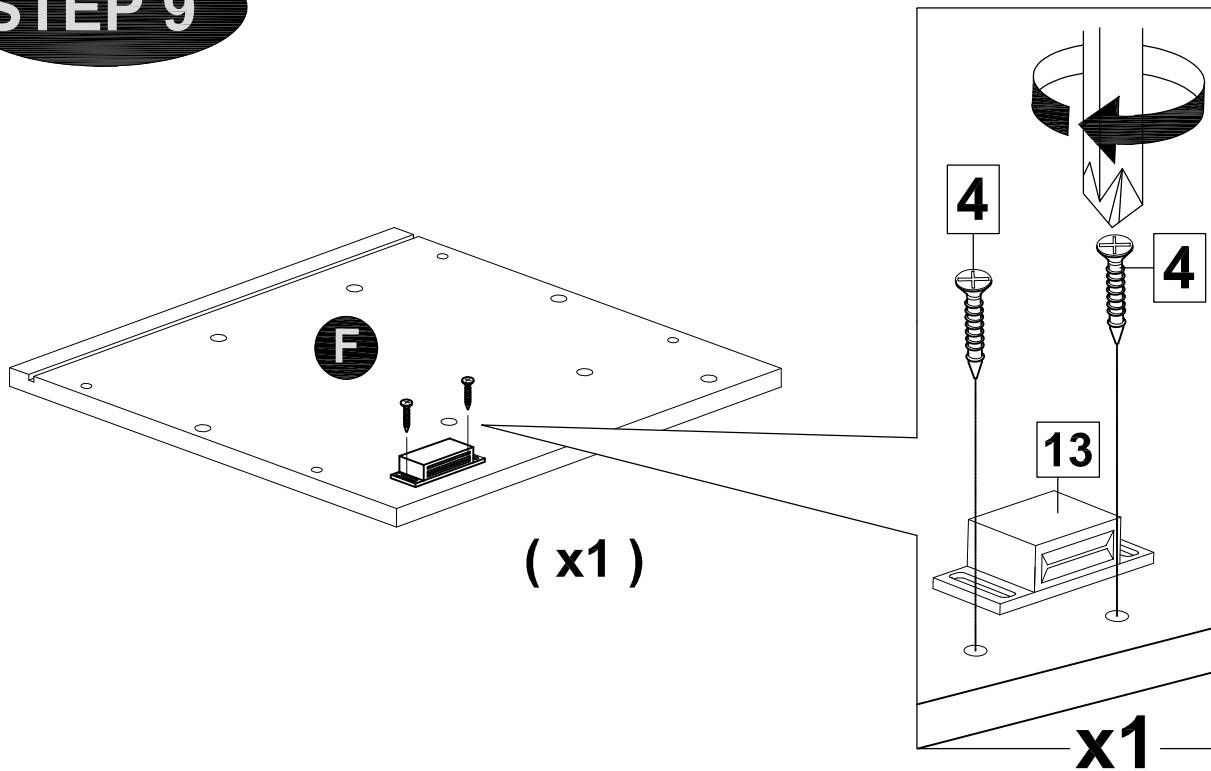
MODEL NAME:

DV 9990-00

**STEP 8**



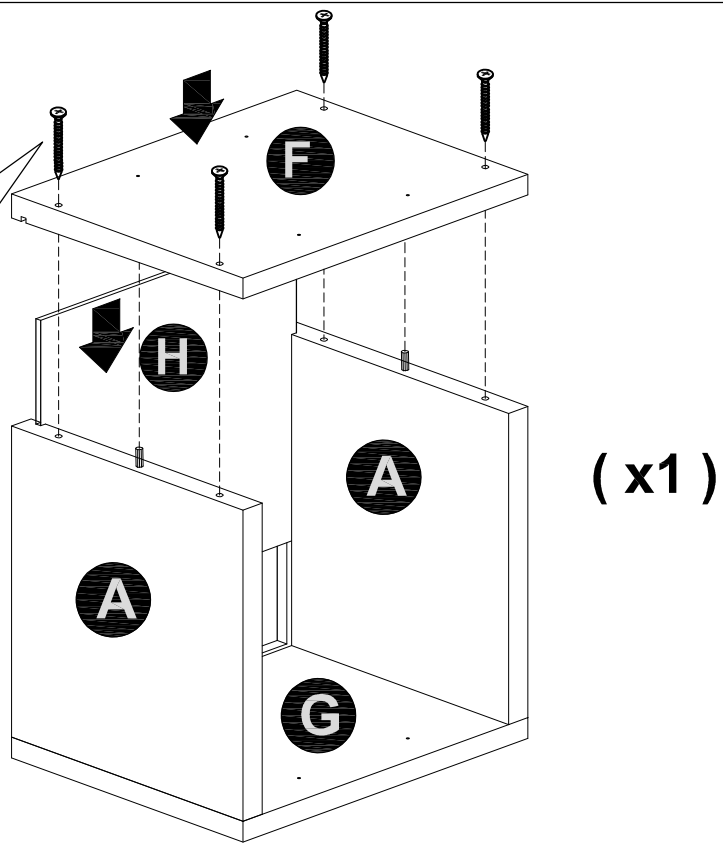
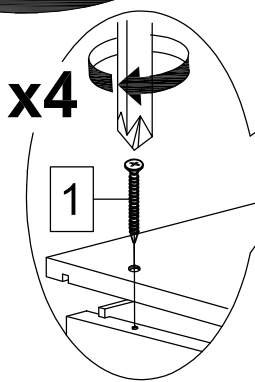
**STEP 9**



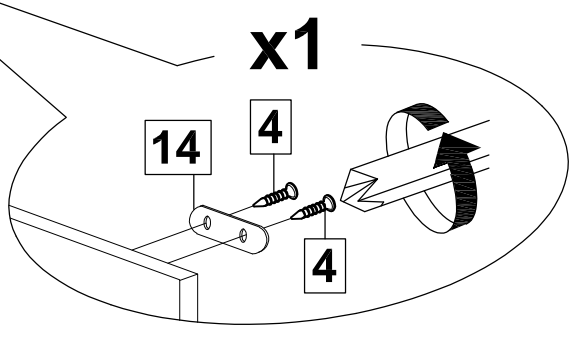
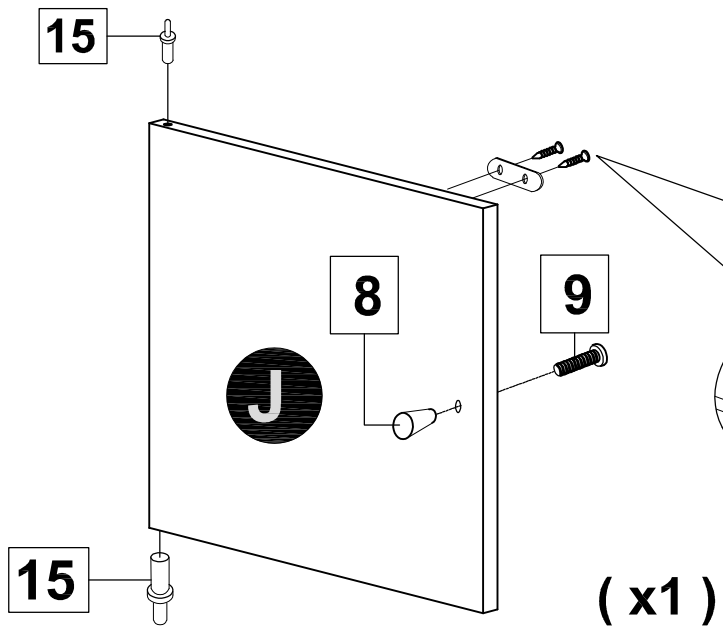
MODEL NAME:

DV 9990-00

**STEP 10**



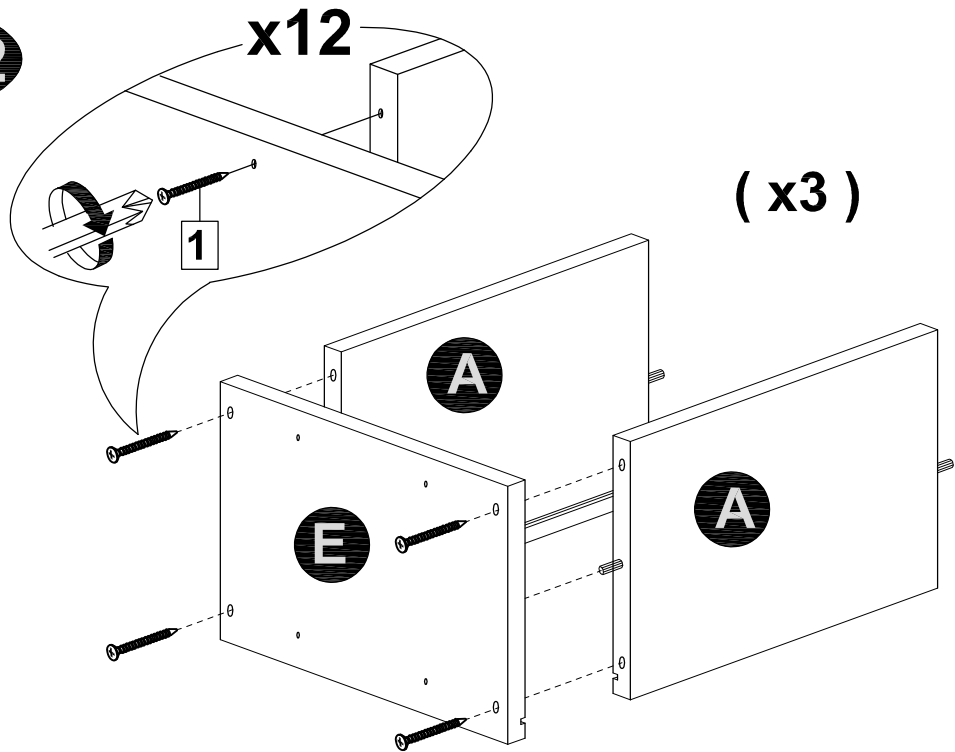
**STEP 11**



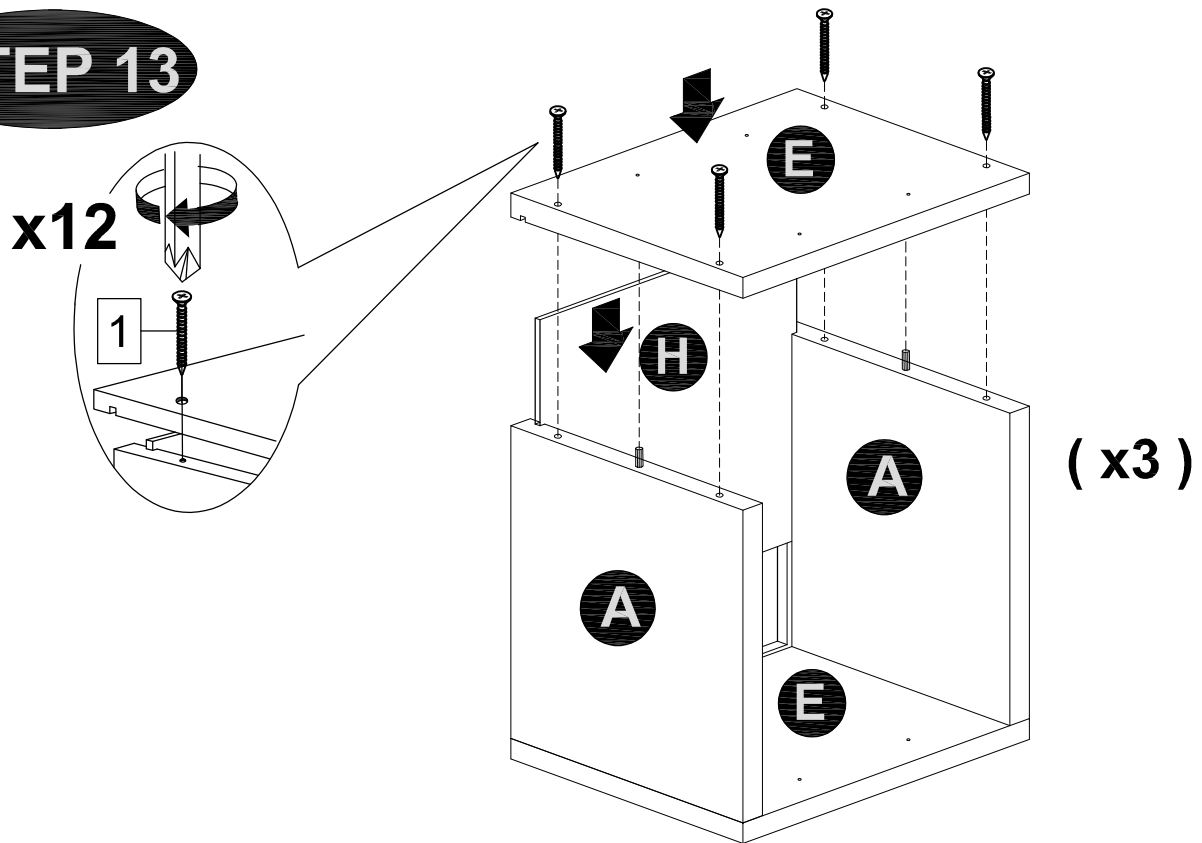
MODEL NAME:

DV 9990-00

**STEP 12**



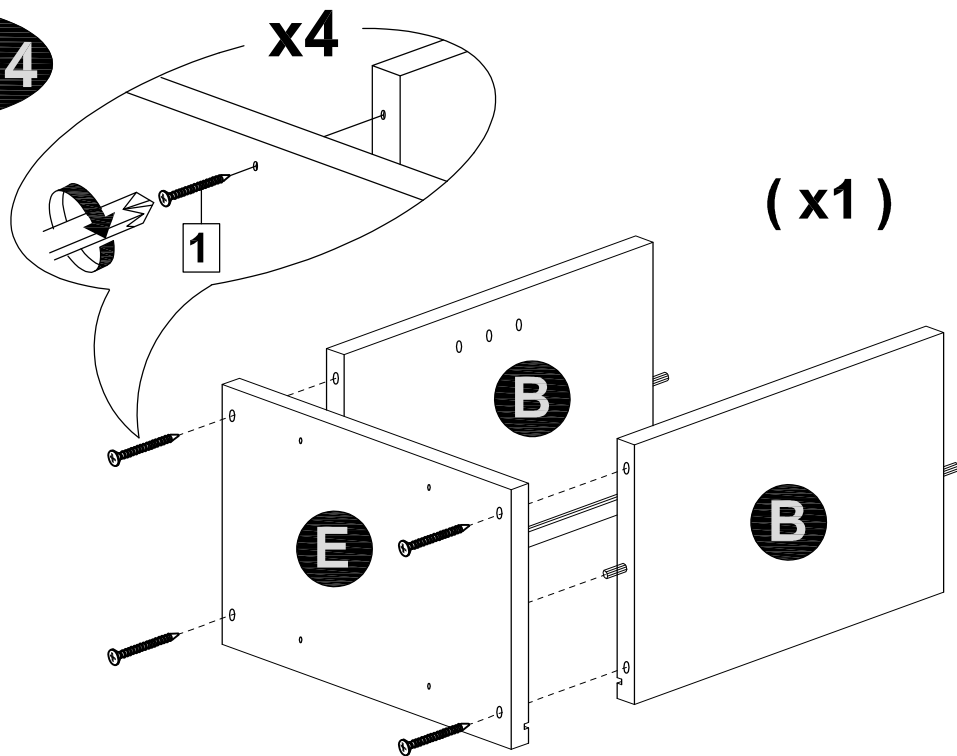
**STEP 13**



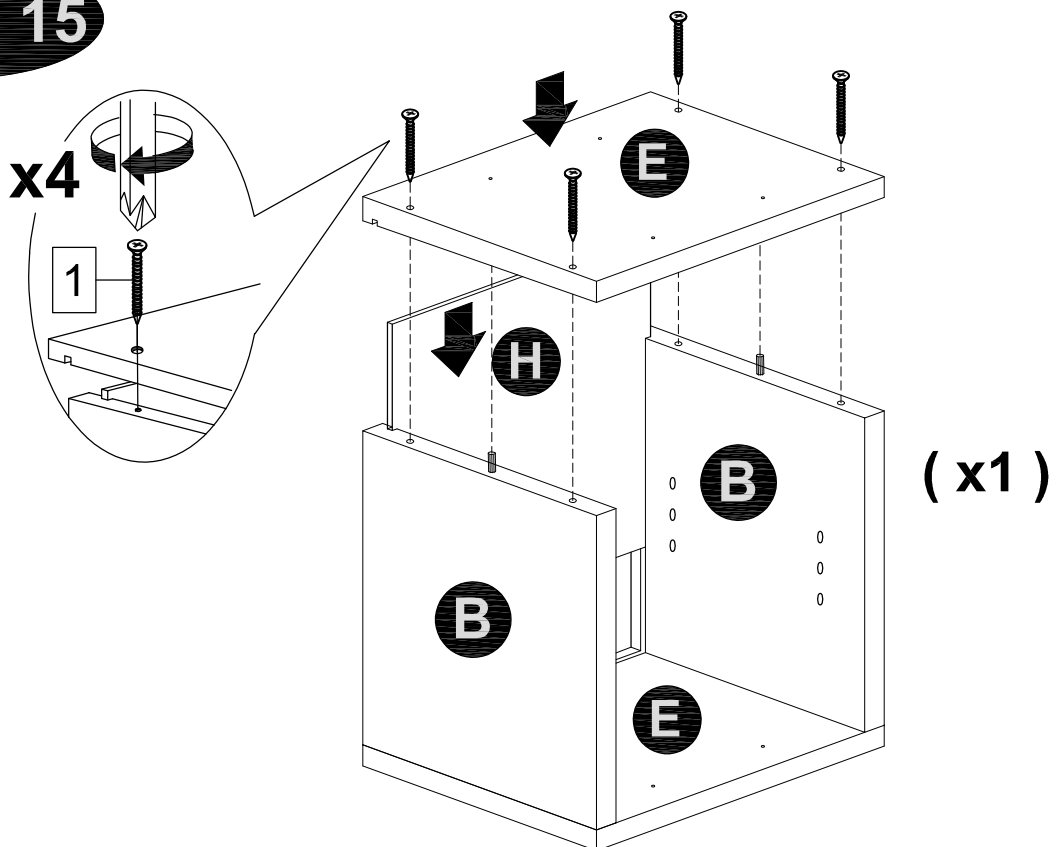
MODEL NAME:

DV 9990-00

**STEP 14**



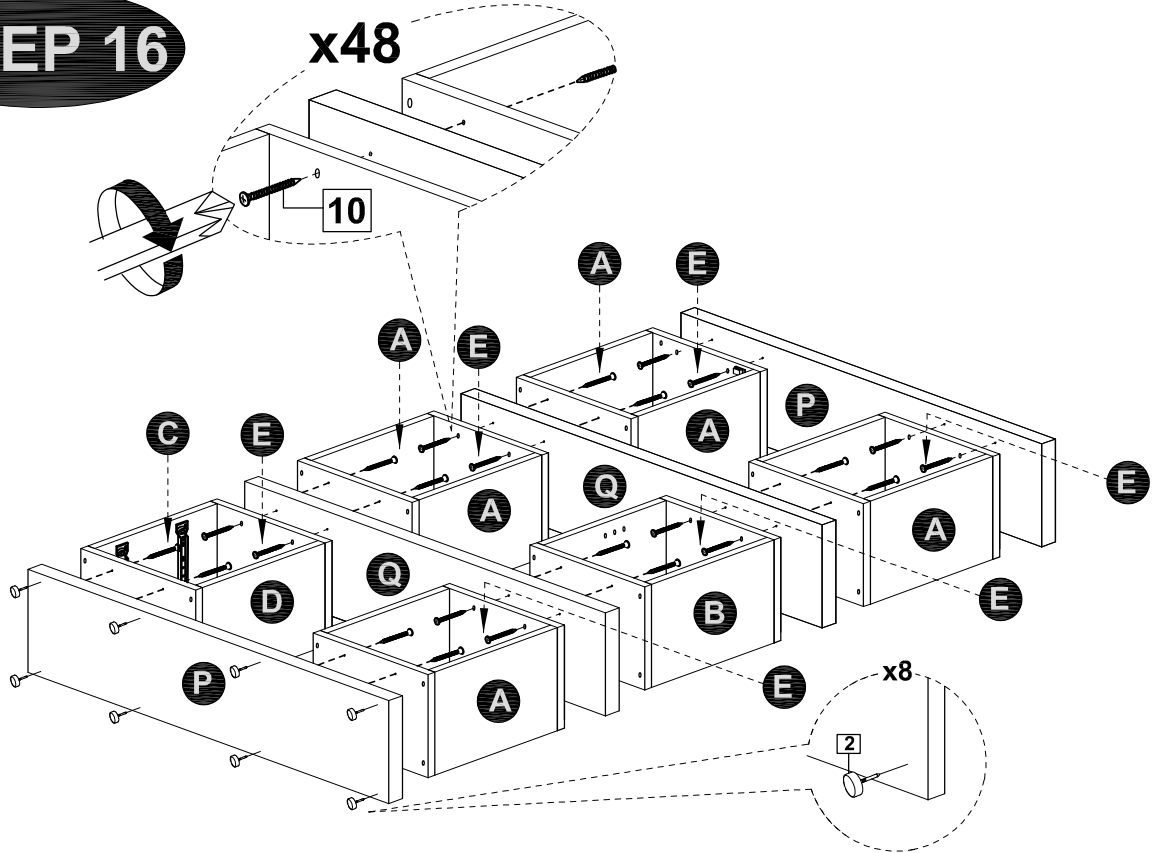
**STEP 15**



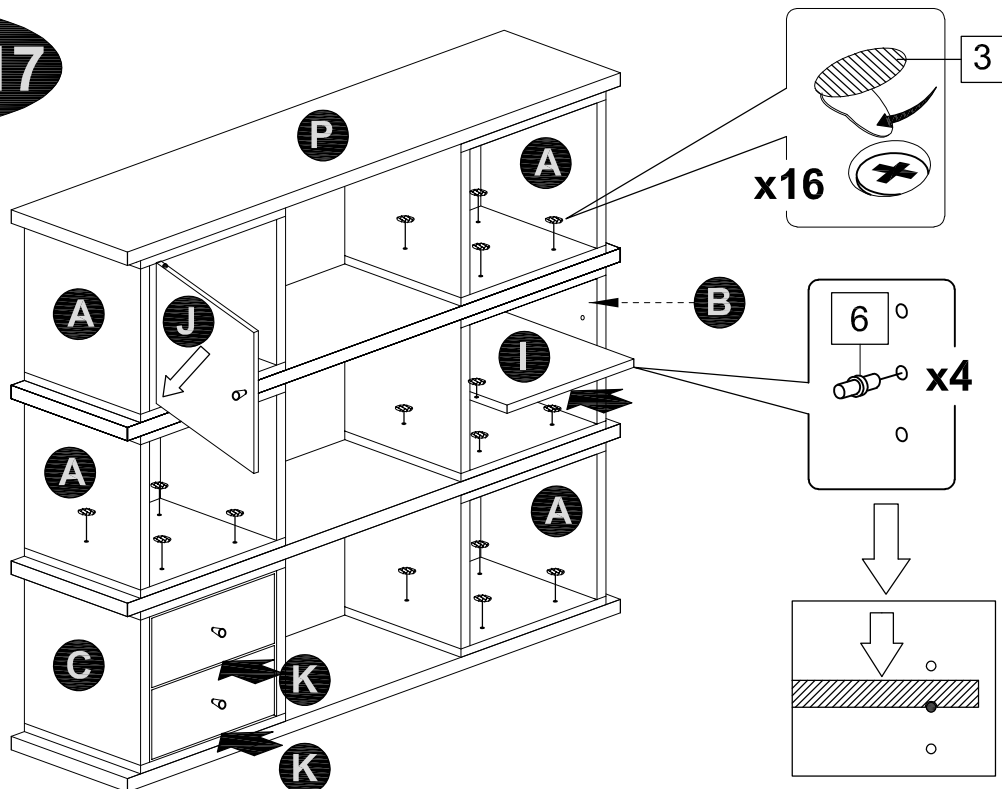
MODEL NAME:

DV 9990-00

**STEP 16**



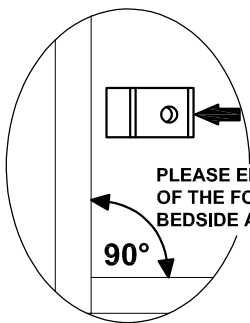
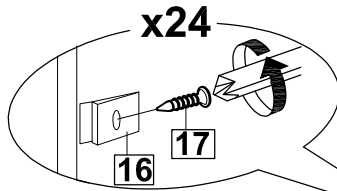
**STEP 17**



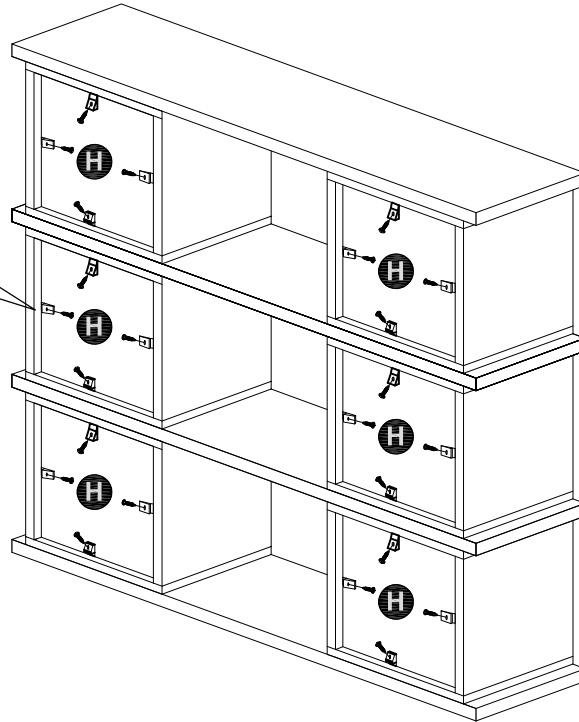
**MODEL NAME:**

**DV 9990-00**

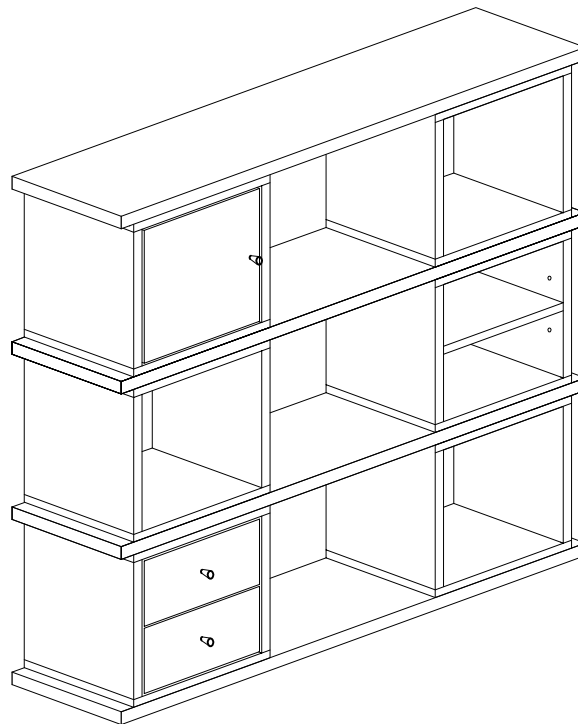
**STEP 18**



PLEASE ENSURE THAT EACH OF THE FOUR CORNERS OF BEDSIDE ARE SQUARE.



**STEP 19**



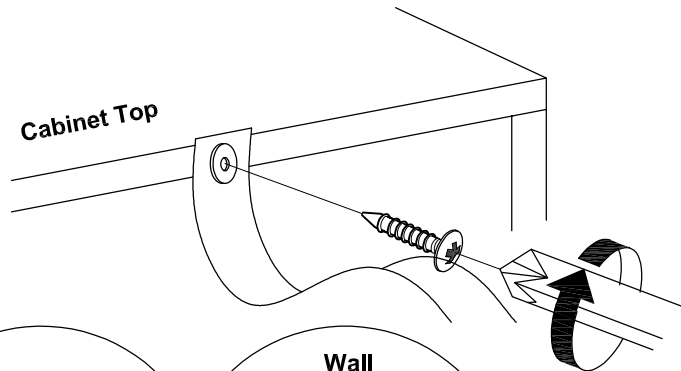
## MODEL NAME :

It is recommended that you fit the anti-tip bracket to this item to avoid tipping and causing injury.

## FITTING OF ANTI-TIP BRACKET

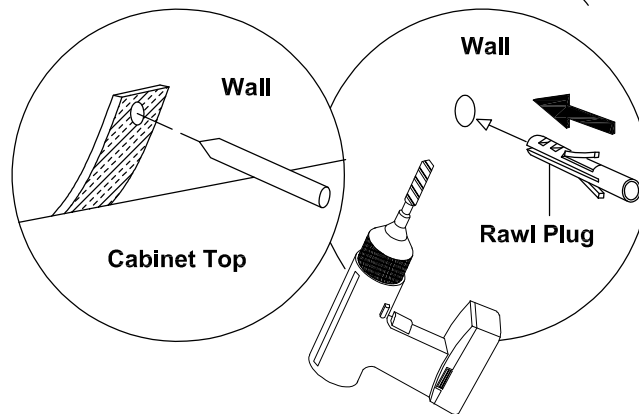
### STEP 1 :

Insert screws through bracket into pre-drilled holes in cabinet.



### STEP 2 :

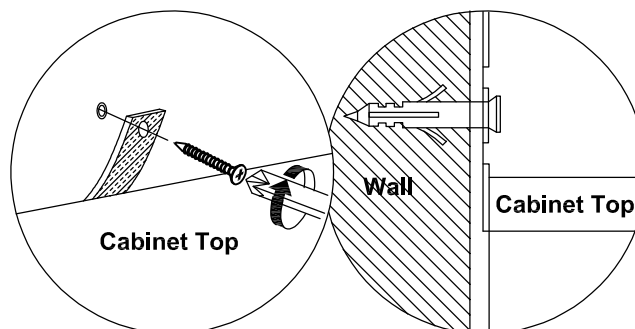
Make a mark on the wall through the bracket.



Drill a hole in the wall and insert the rawl plug.

### STEP 3 :

Insert screw through bracket into hole in wall



**NOTE :** Wall fixings are not supplied with this product as different wall materials require different types of fixing devices (such as Rawl plugs on brick work). You must use fixing devices suitable for the type of wall you intend to mount this product to. Please ensure that the head of any screw used as a diameter greater than the diameter of the mounting hole on the bracket and that the fixing is safe and secure before use.  
The screw supplied is to fix the anti-tip strap to the cabinet.

### HARDWARE LIST



Anti-Tip Strap - 2pcs



M3.5 x 16MM - 2pcs