

ASSEMBLY INSTRUCTION

DO NOT TIGHTEN SCREWS UNTIL COMPLETELY ASSEMBLED

1



4PCS

2



4PCS

3



8PCS

4



4PCS

A



24PCS

M6×45mm

B



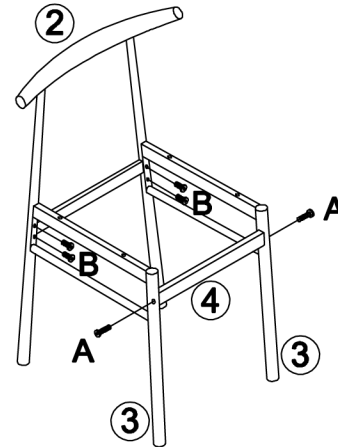
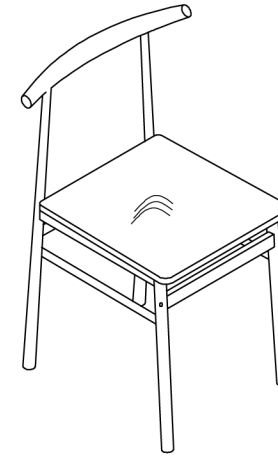
16PCS

M6×12mm

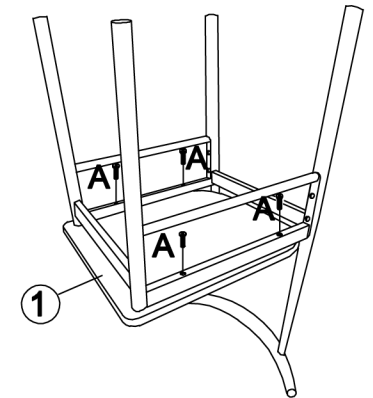
C



1PC



X4



X4

step 1-Use screws(Part B)to connect chair feet(Part 3) with backrest frame(Part 2).
-Use screws(Part A)to connect chair feet(Part 3) with cross-bars(Part 4) as a metal chair frame.

step 2-Use screws(Part A) to connect the chair metal frame with the seat(Part 1).