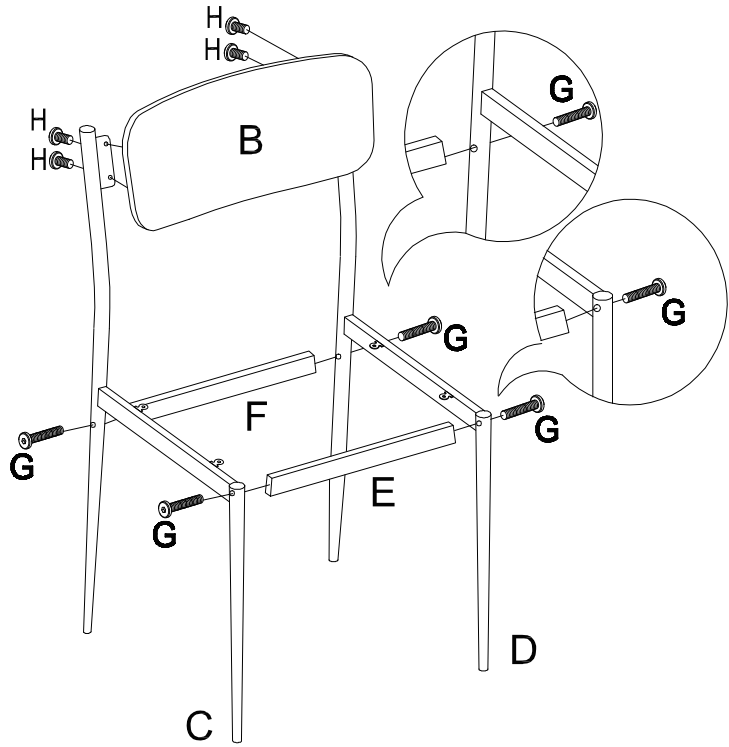


ASSEMBLY INSTRUCTION

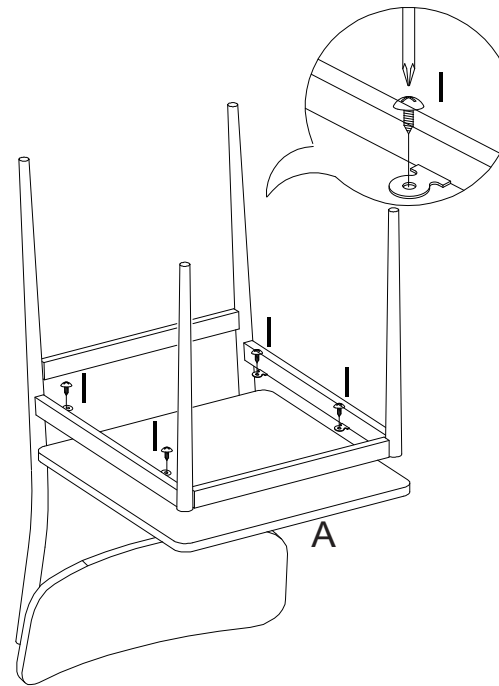
DO NOT TIGHTEN SCREWS UNTIL COMPLETELY ASSEMBLED

Step 1-Use screws (Part K) to connect chair feet(Part F/G) and cross-bar(Part I/H) as a metal chair frame

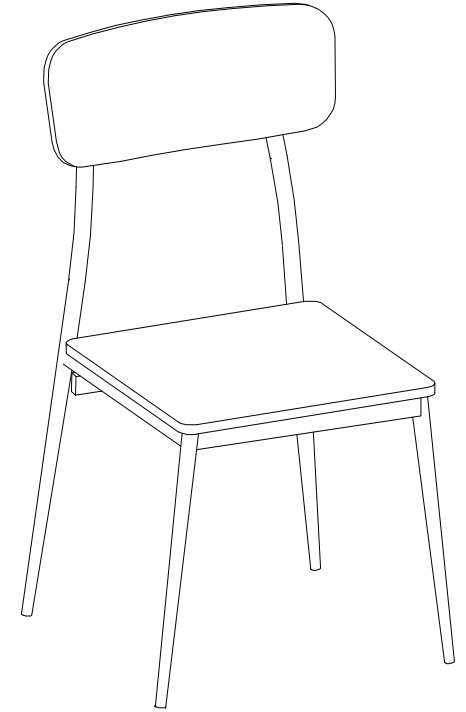
Use screws (Part L) to connect Backrest (Part E) to the chair metal frame



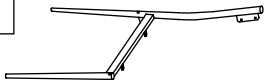
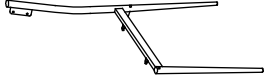



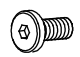




Step 2-Use screws (Part M) to connect the chair metal frame to the chair seat (Part D)



Step 3-Finish



<p>A</p>  <p>4PCS</p>	<p>B</p>  <p>4PCS</p>	<p>C</p>  <p>4PCS</p>	<p>D</p>  <p>4PCS</p>	<p>E</p>  <p>4PCS</p>	<p>F</p>  <p>4PCS</p>	<p>G</p>  <p>16PCS</p>
<p>H</p>  <p>16PCS</p>	<p>I</p>  <p>16PCS</p>	<p>J</p>  <p>1PC</p>				