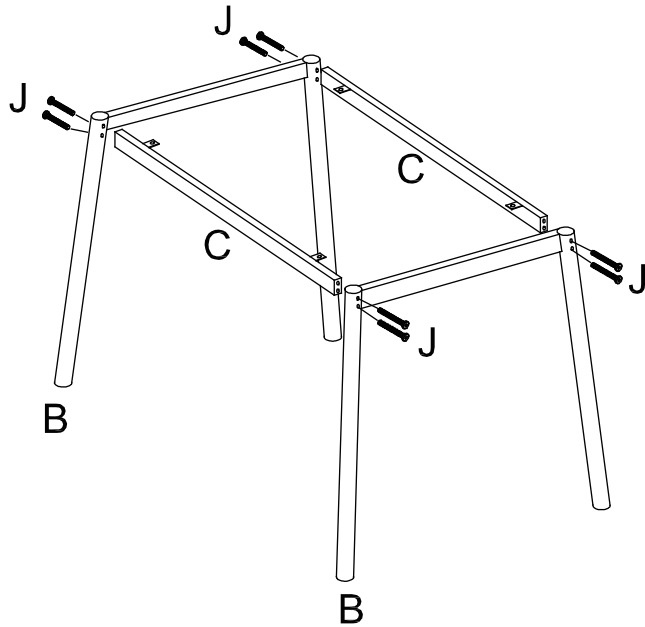


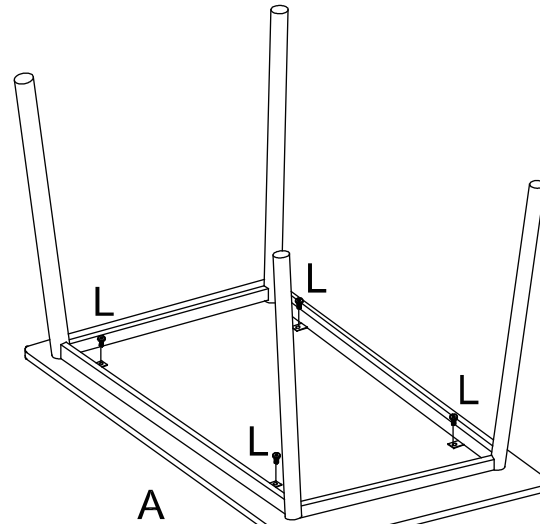
# ASSEMBLY INSTRUCTION

\*\*\*DO NOT TIGHTEN SCREWS UNTIL COMPLETELY ASSEMBLED\*\*\*

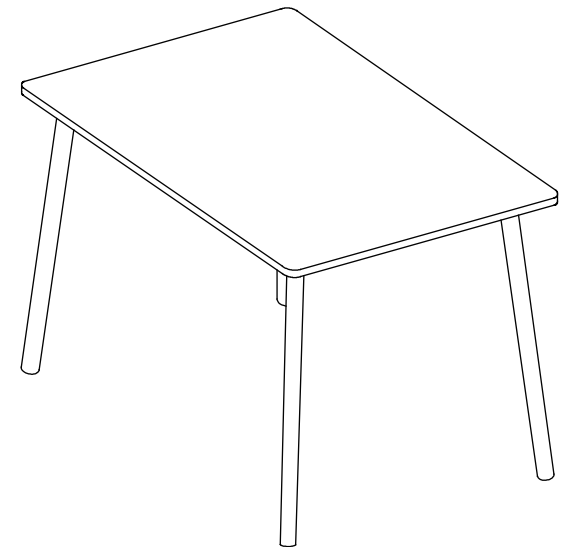
Step 1-Use screws (Part J) to connect table feet(Part B) and cross-bars(Part C) as a table metal frame

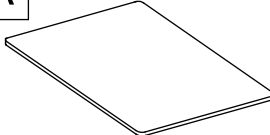
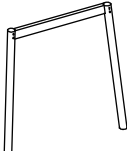
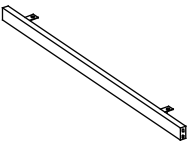


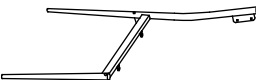
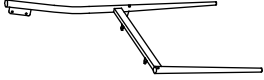





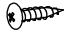



Step 2-Use screws (Part L) to connect the table metal frame to the table top(Part A)



Step 3-Finish



<p><b>A</b></p>  <p>1PCS</p>	<p><b>B</b></p>  <p>2PCS</p>	<p><b>C</b></p>  <p>2PCS</p>	<p><b>D</b></p>  <p>4PCS</p>	<p><b>E</b></p>  <p>4PCS</p>	<p><b>F</b></p>  <p>4PCS</p>	<p><b>G</b></p>  <p>4PCS</p>
<p><b>H</b></p>  <p>4PCS</p>	<p><b>I</b></p>  <p>4PCS</p>	<p><b>J</b></p>  <p>8PCS</p>	<p><b>K</b></p>  <p>16PCS</p>	<p><b>L</b></p>  <p>20PCS</p>	<p><b>M</b></p>  <p>16PCS</p>	<p><b>N</b></p>  <p>1PC</p>

# ASSEMBLE INSTRUCTION

\*\*\*DO NOT TIGHTEN SCREWS UNTIL COMPLETELY ASSEMBLED\*\*\*

Step 1-Use screws (Part K) to connect chair feet(Part F/G) and cross-bar( Part I/H) as a metal chair frame

Use screws (Part L) to connect Backrest (Part E) to the chair metal frame

Step 2-Use screws (Part M) to connect the chair metal frame to the chair seat (Part D)

Step 3-Finish

