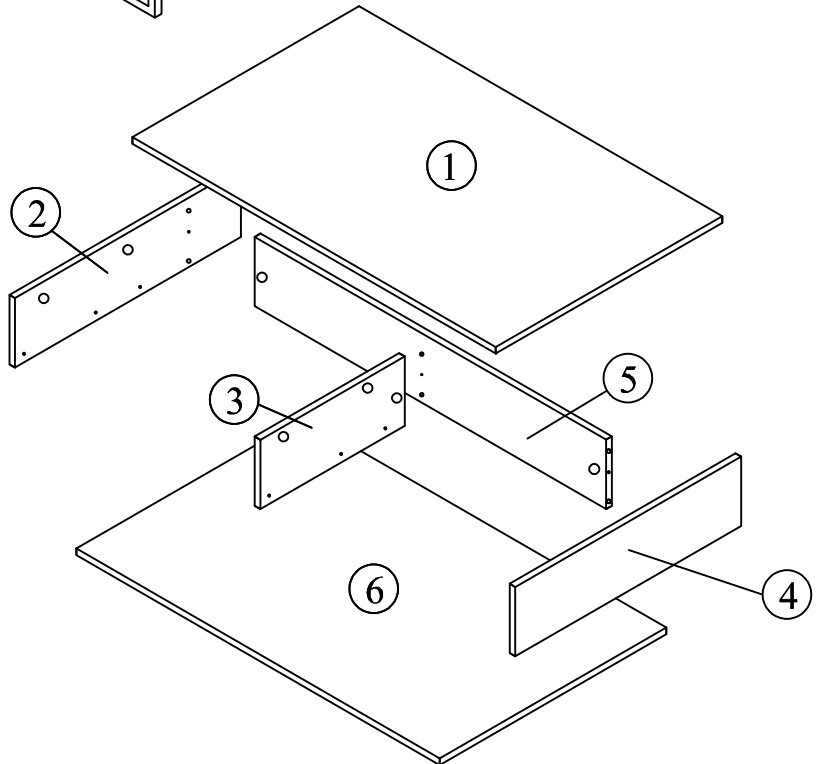
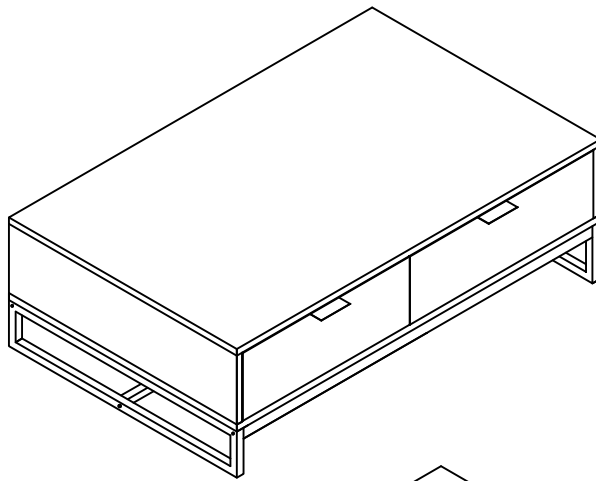


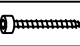
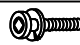
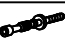

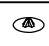
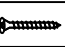


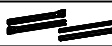



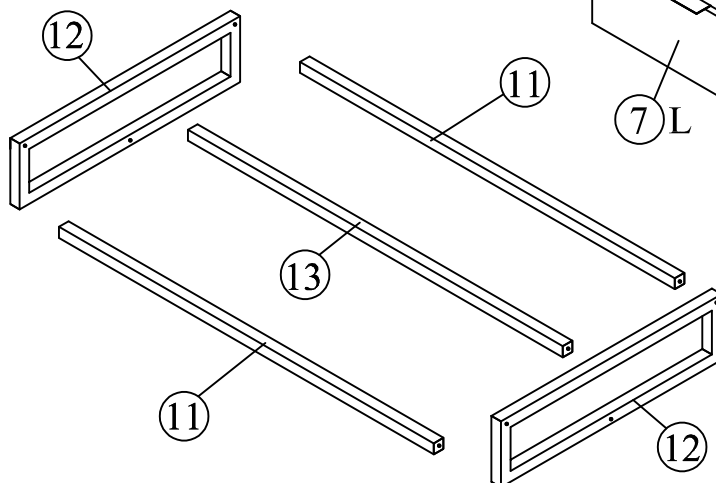
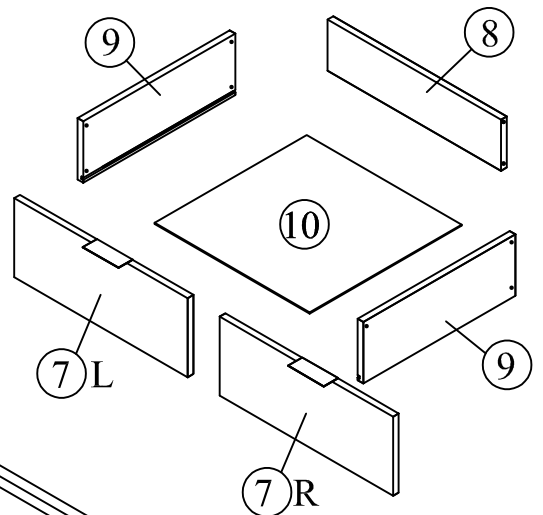
Assembly Instructions

Model : CT-8007

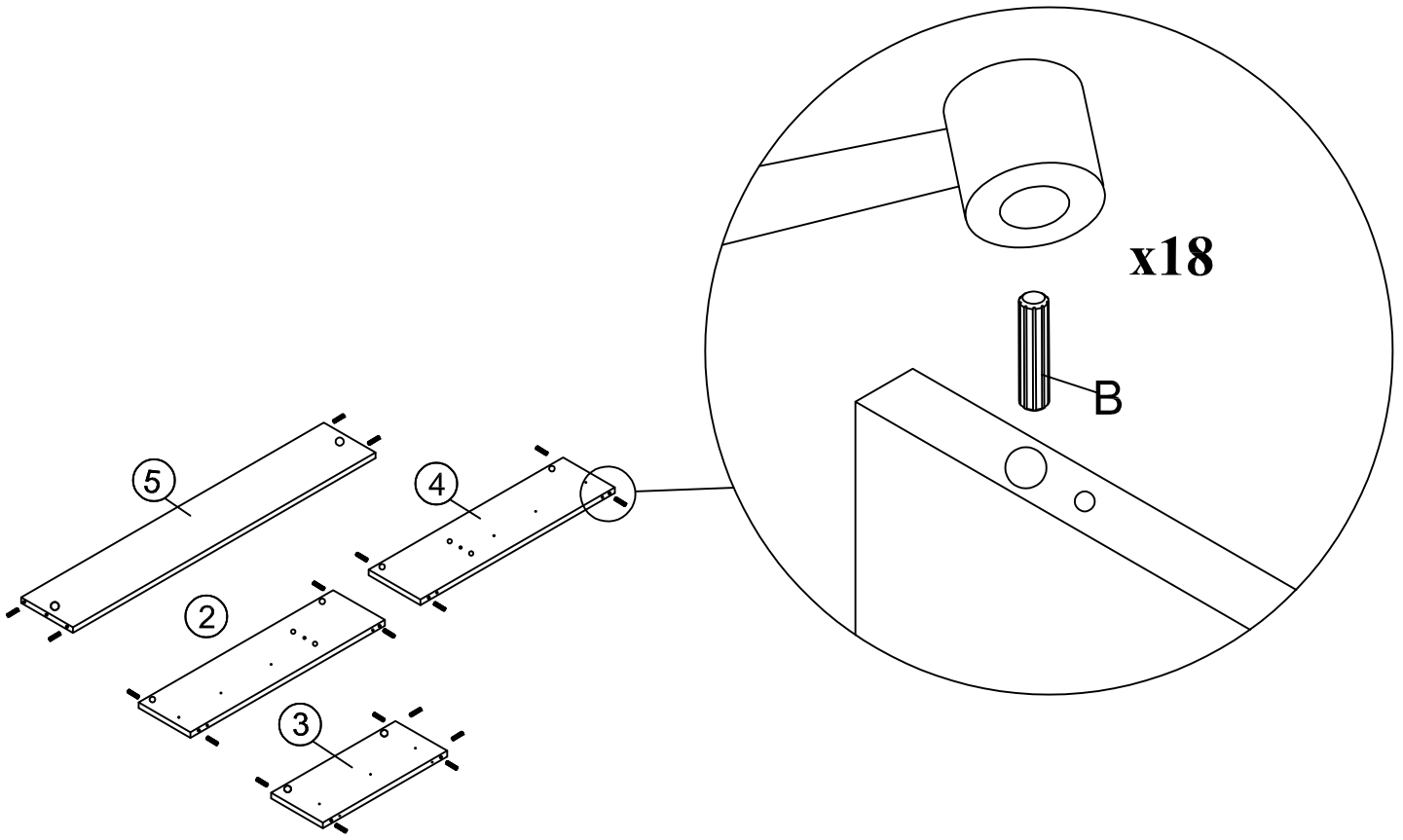
Part List		QTY
1	Top Panel	1
2	Left Side Panel	1
3	Middle Support Panel	1
4	Right Side Panel	1
5	Back Support Panel	1
6	Bottom Panel	1
7	Drawer Front Panel	2
8	Drawer Back Panel	2
9	Drawer Side Panel	4
10	Drawer Bottom Panel	2
11	Metal Support Legs	2
12	Metal Frame Legs	2
13	Metal Center Legs	1



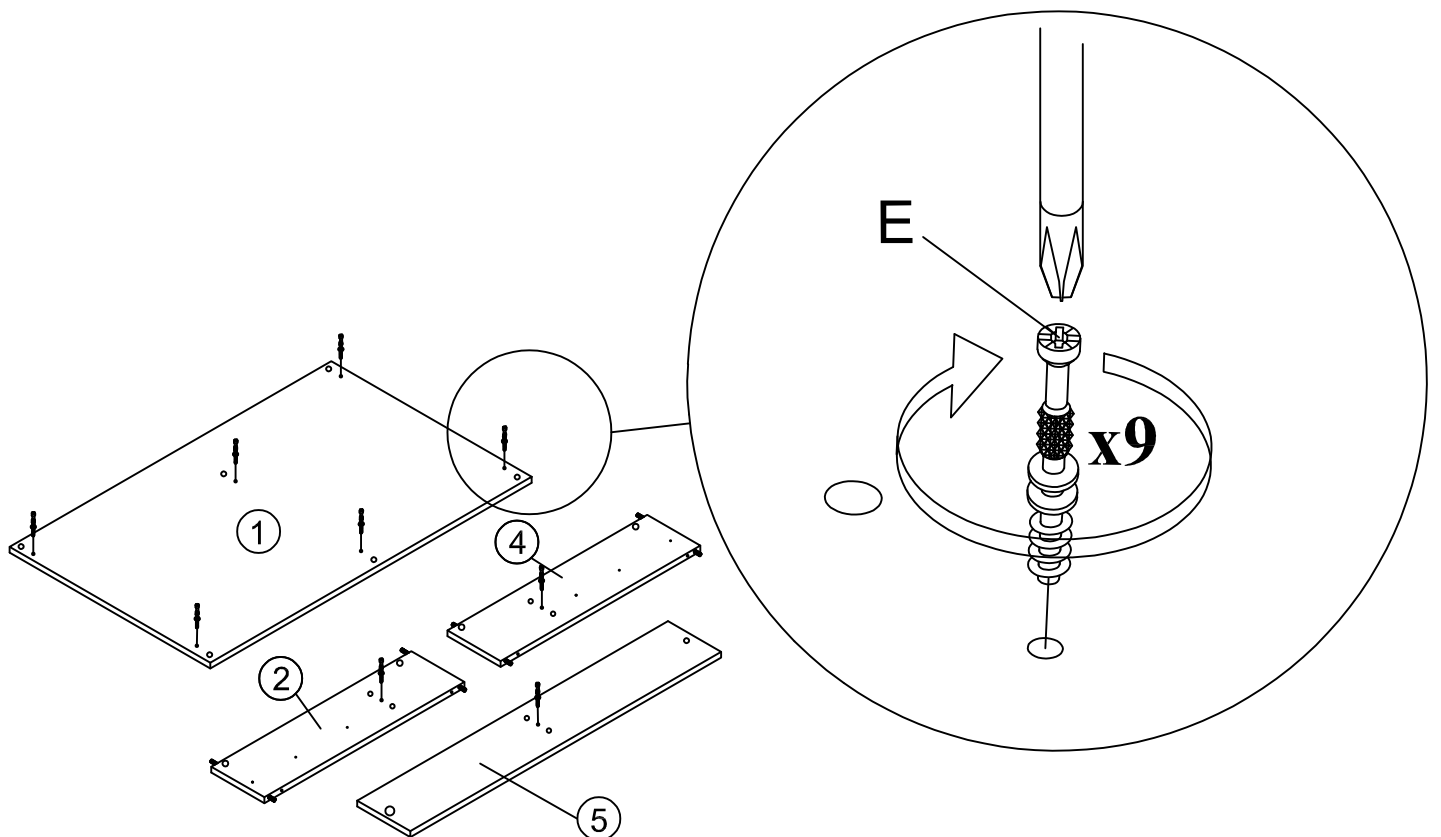
Hardware		QTY
A	Allen Key M4 	1
B	Wood Dowel 	18
C	JCBC W Screw M6x40 	6
D	JCBC Screw M6x50 + M6 Flat Washer 	6
E	Mini Fix Bolt 	9
F	Mini Fix Housing 	9
G	Mini Fix Cap 	9
H	CSK Screw M4x32mm 	6
I	CSK Screw M4x50mm 	16
J	CSK Screw M3.5x16mm 	28
K	14" Drawer Slide 	2
L	Handle 	2



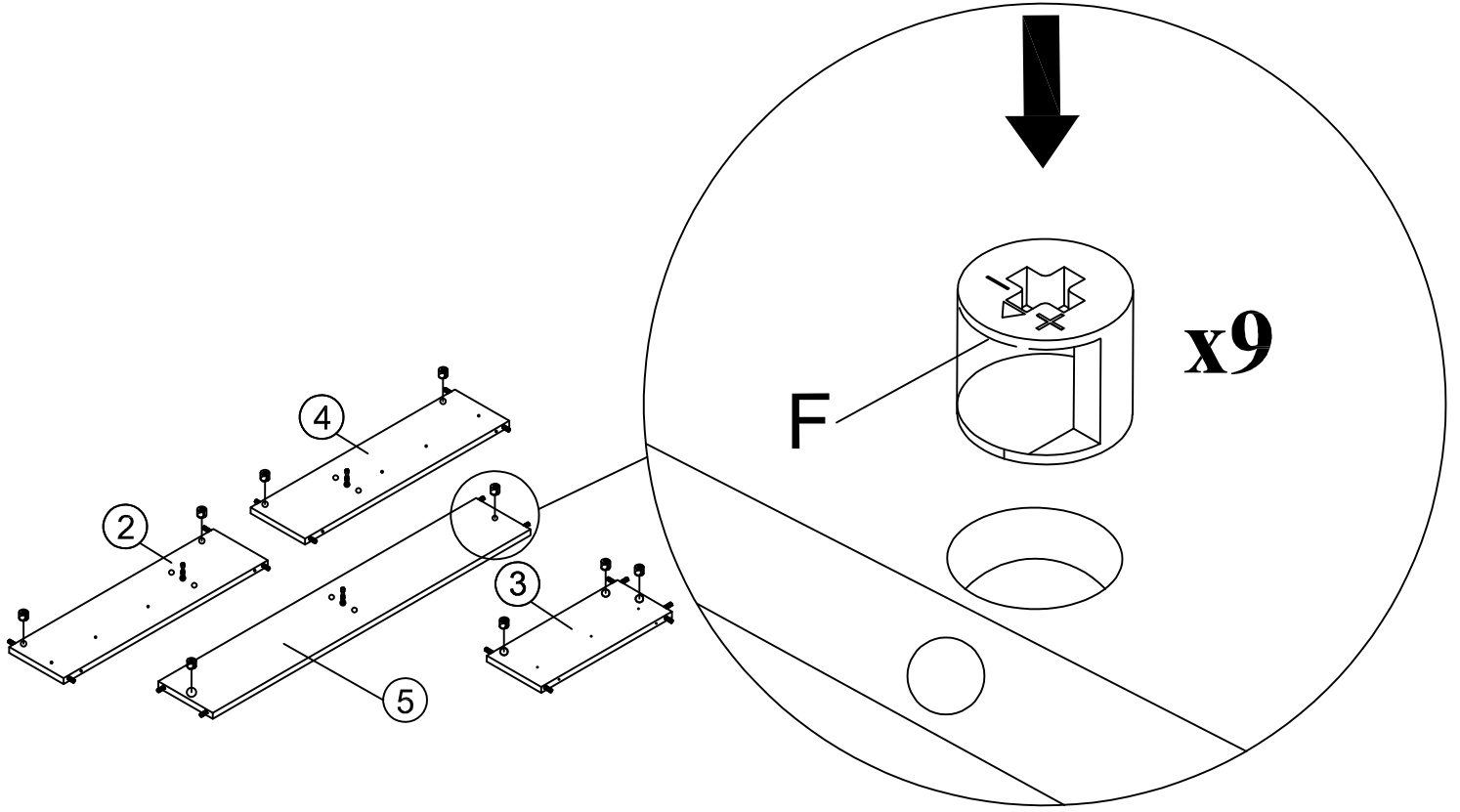
Step 1



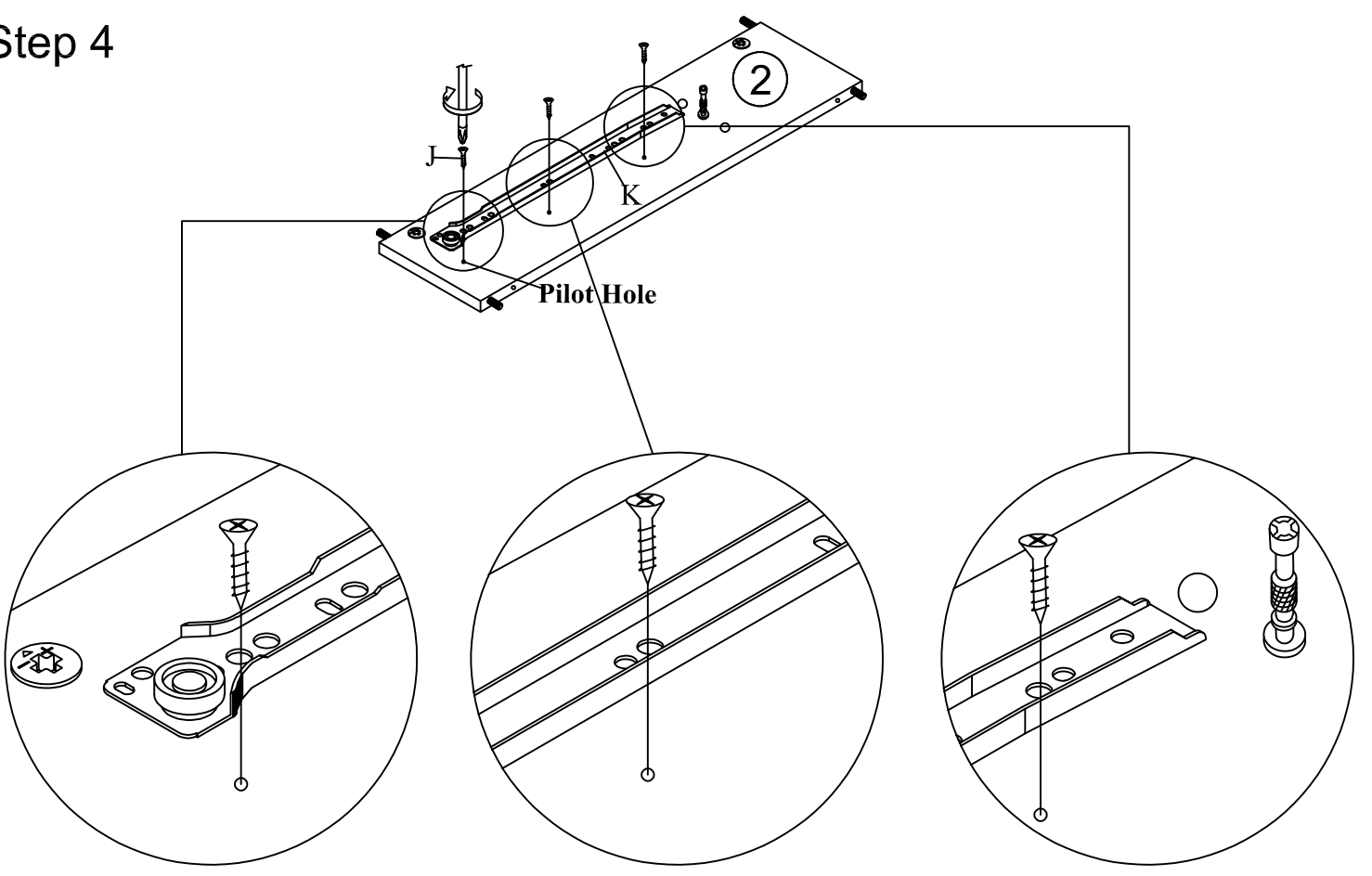
Step 2



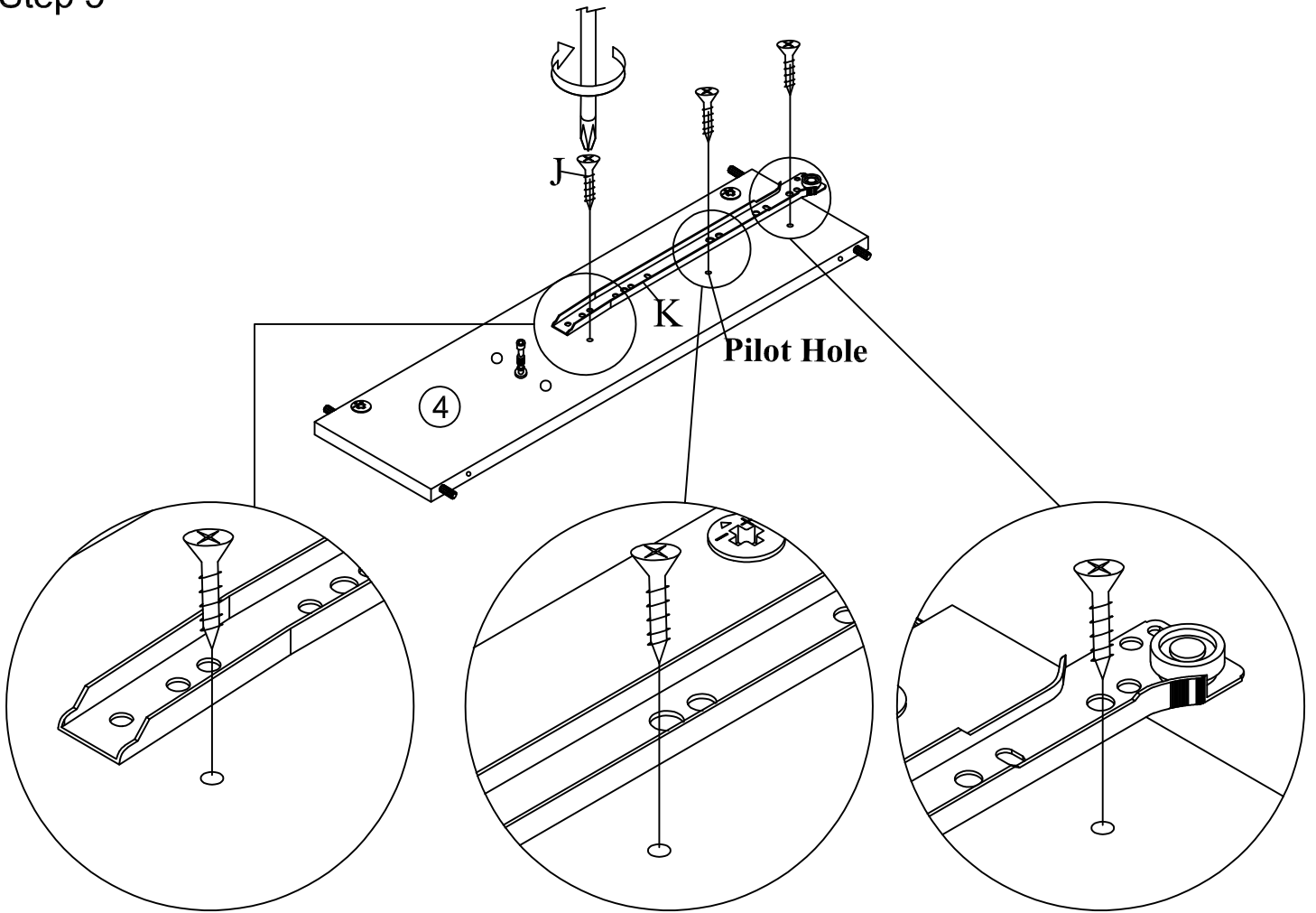
Step 3



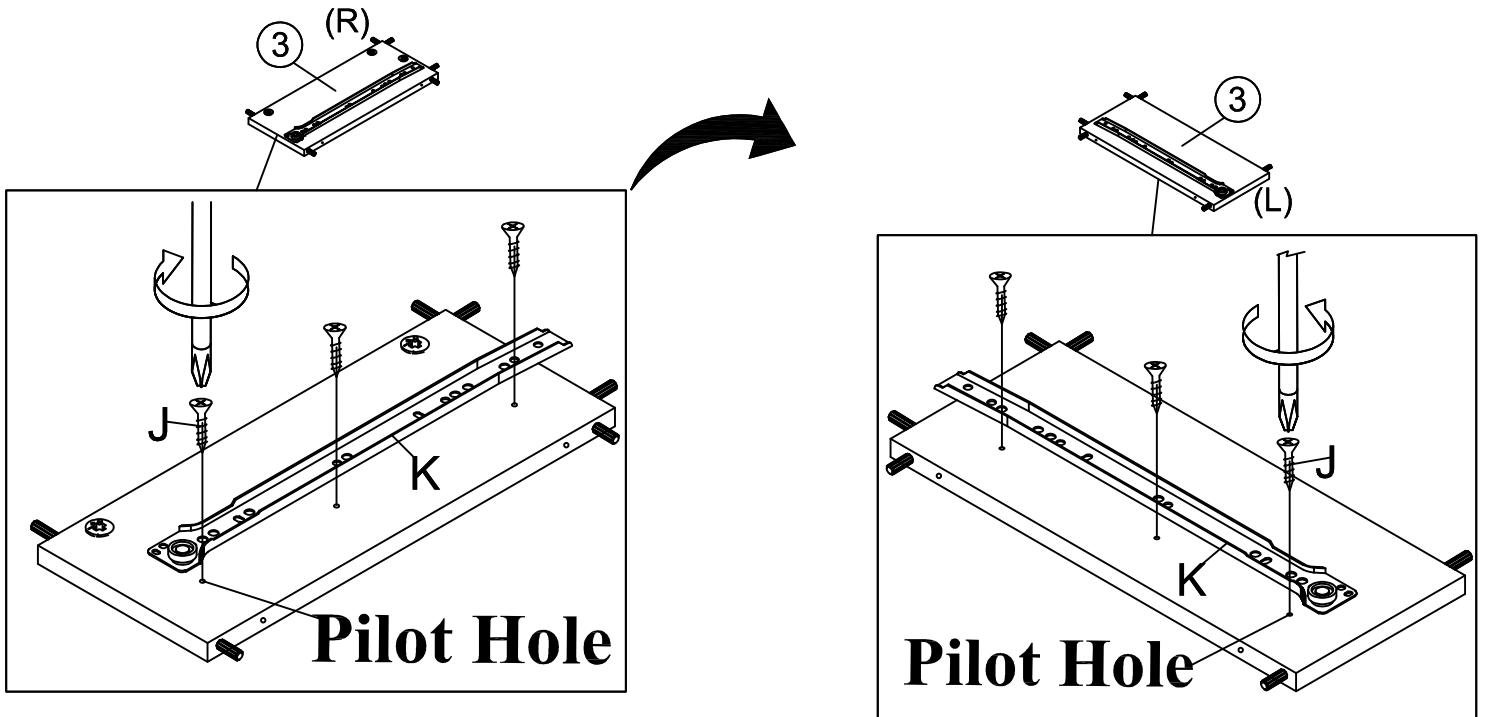
Step 4



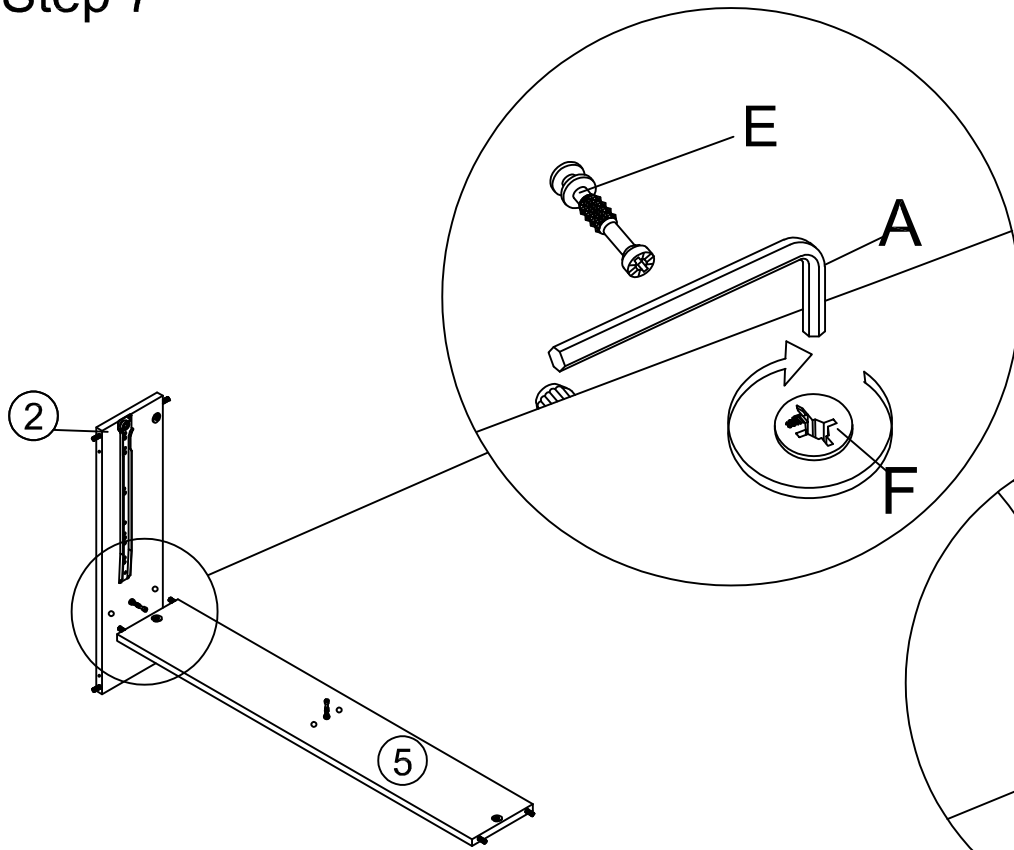
Step 5



Step 6



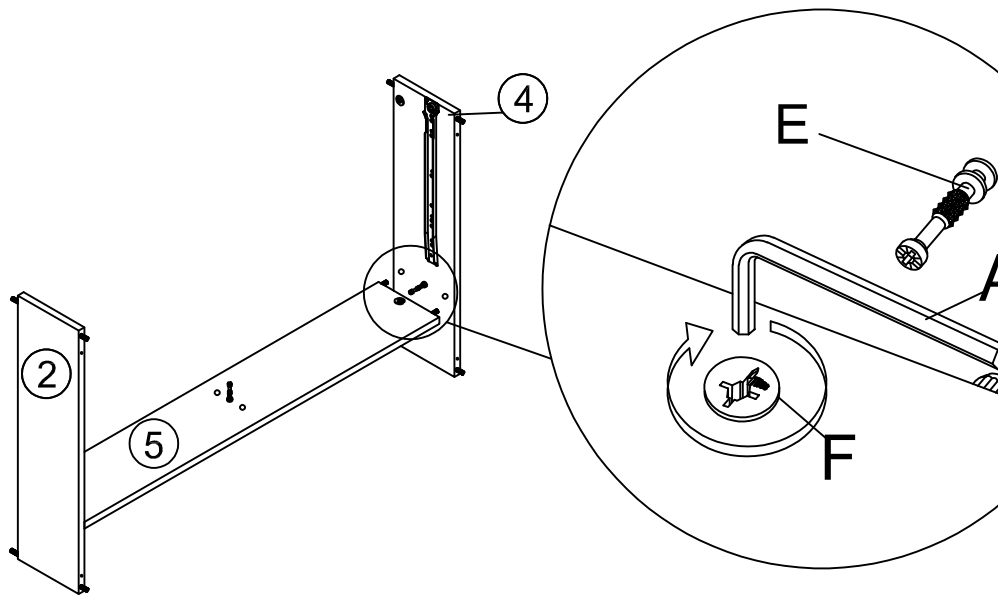
Step 7



This is how a mini fix works...
The head of the mini fix housing goes into the open mouth of the mini fix bolt. You then turn the mini fix housing so it tightens over the mini fix bolt.

***Attach Minifix Cap as shown.**

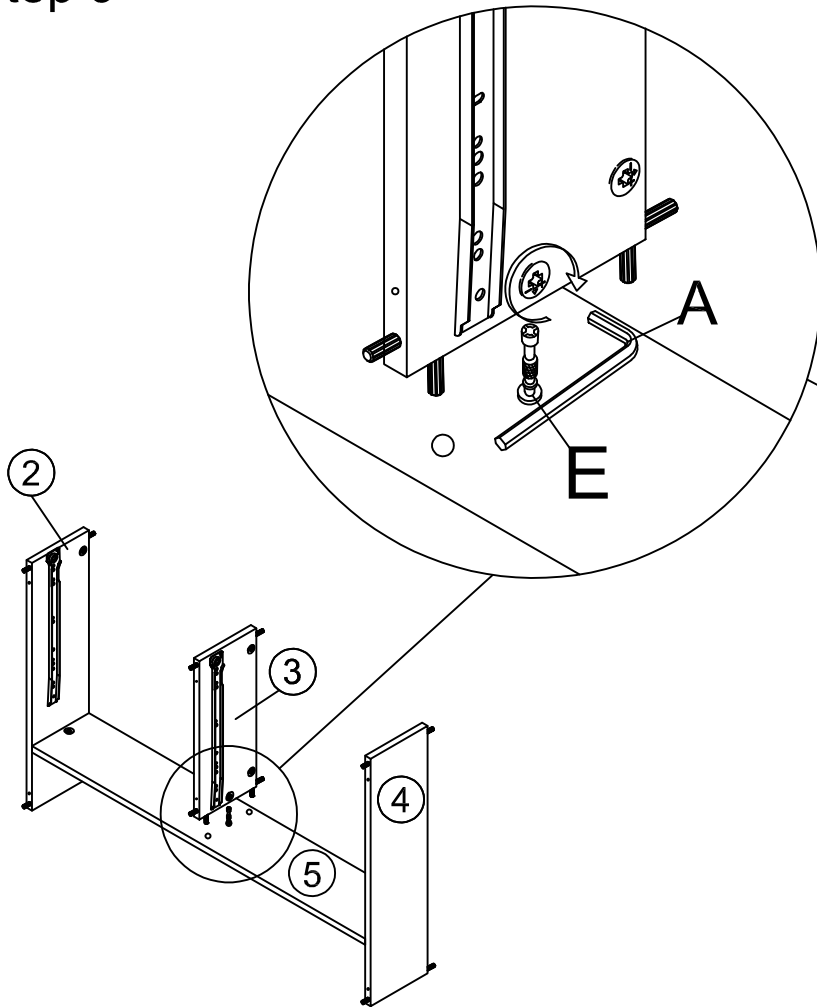
Step 8



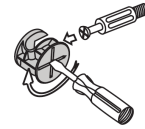
This is how a mini fix works...
The head of the mini fix housing goes into the open mouth of the mini fix bolt. You then turn the mini fix housing so it tightens over the mini fix bolt.

***Attach Minifix Cap as shown.**

Step 9



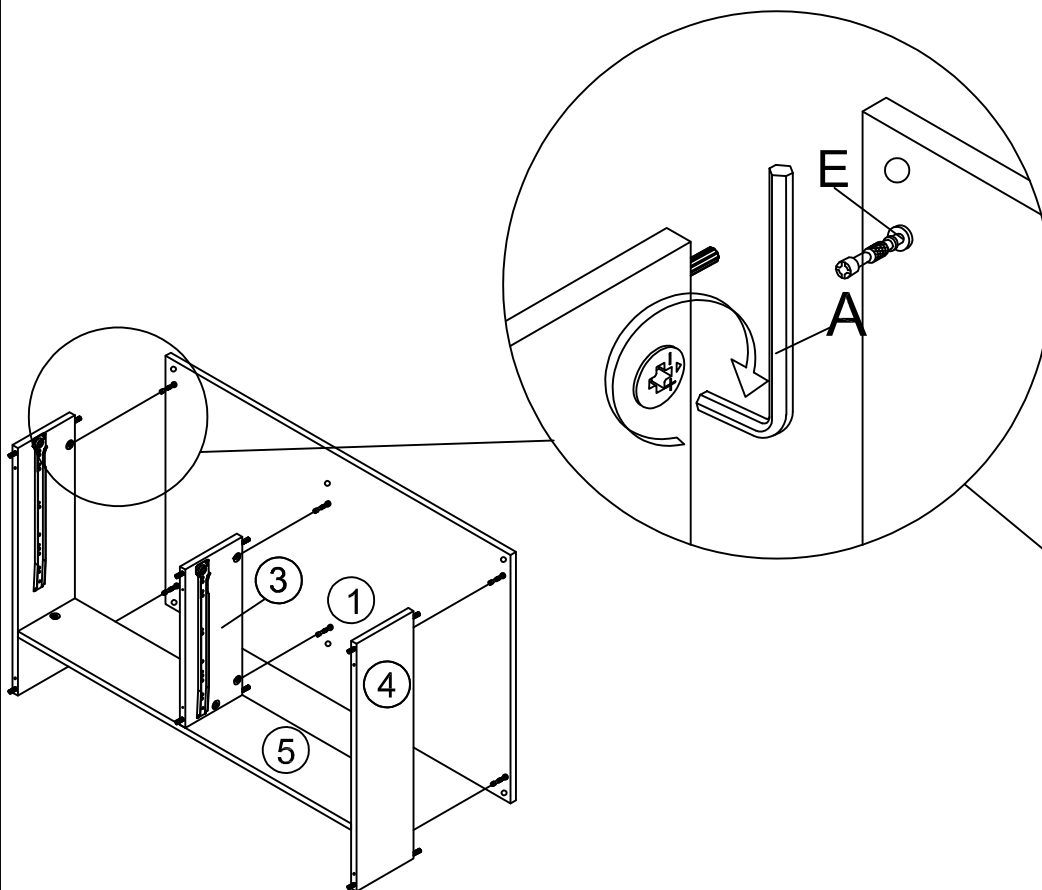
This is how a mini fix works...



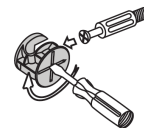
The head of the mini fix housing goes into the open mouth of the mini fix bolt. You then turn the mini fix housing so it tightens over the mini fix bolt.

****Attach Minifix Cap as shown.***

Step 10



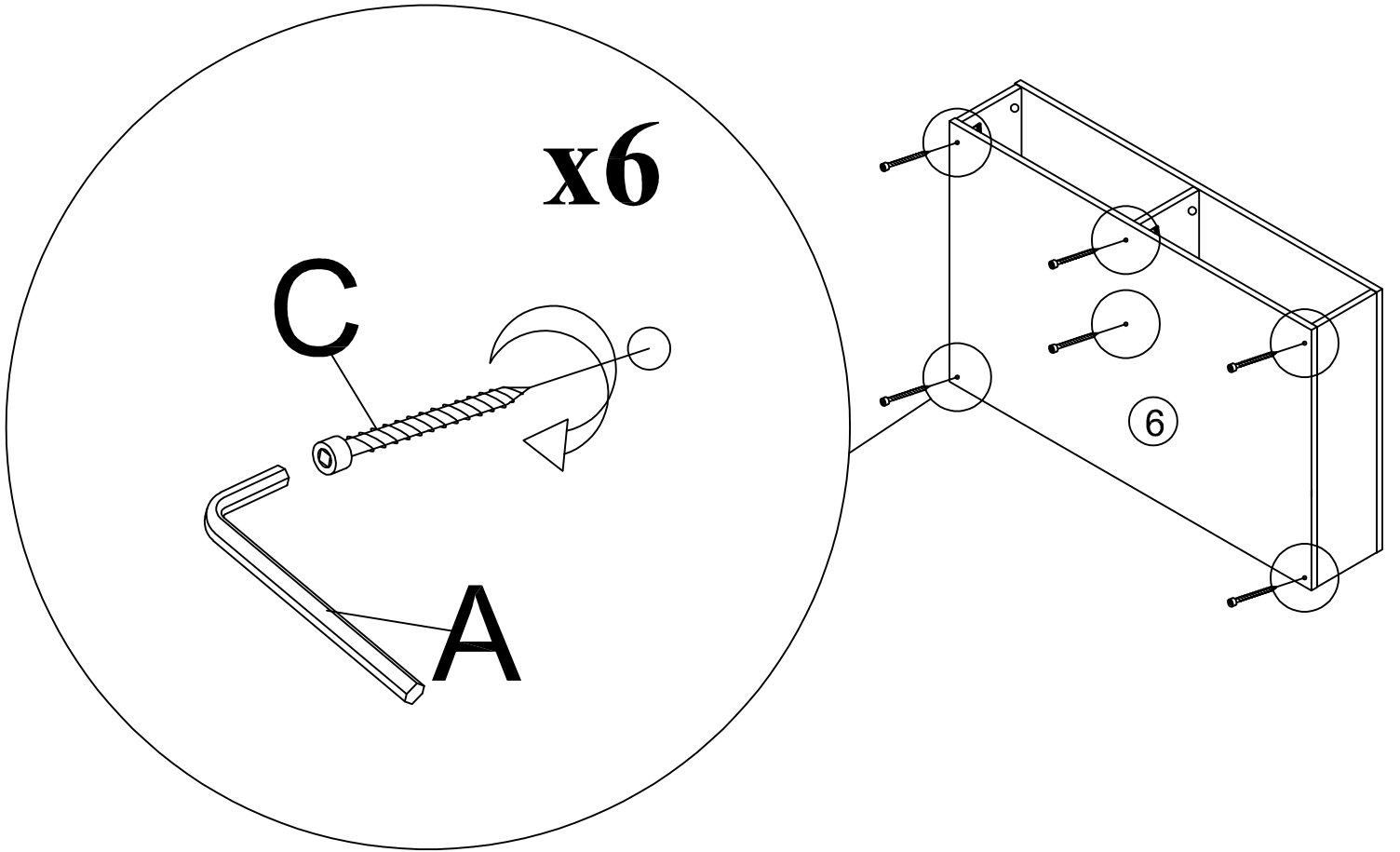
This is how a mini fix works...



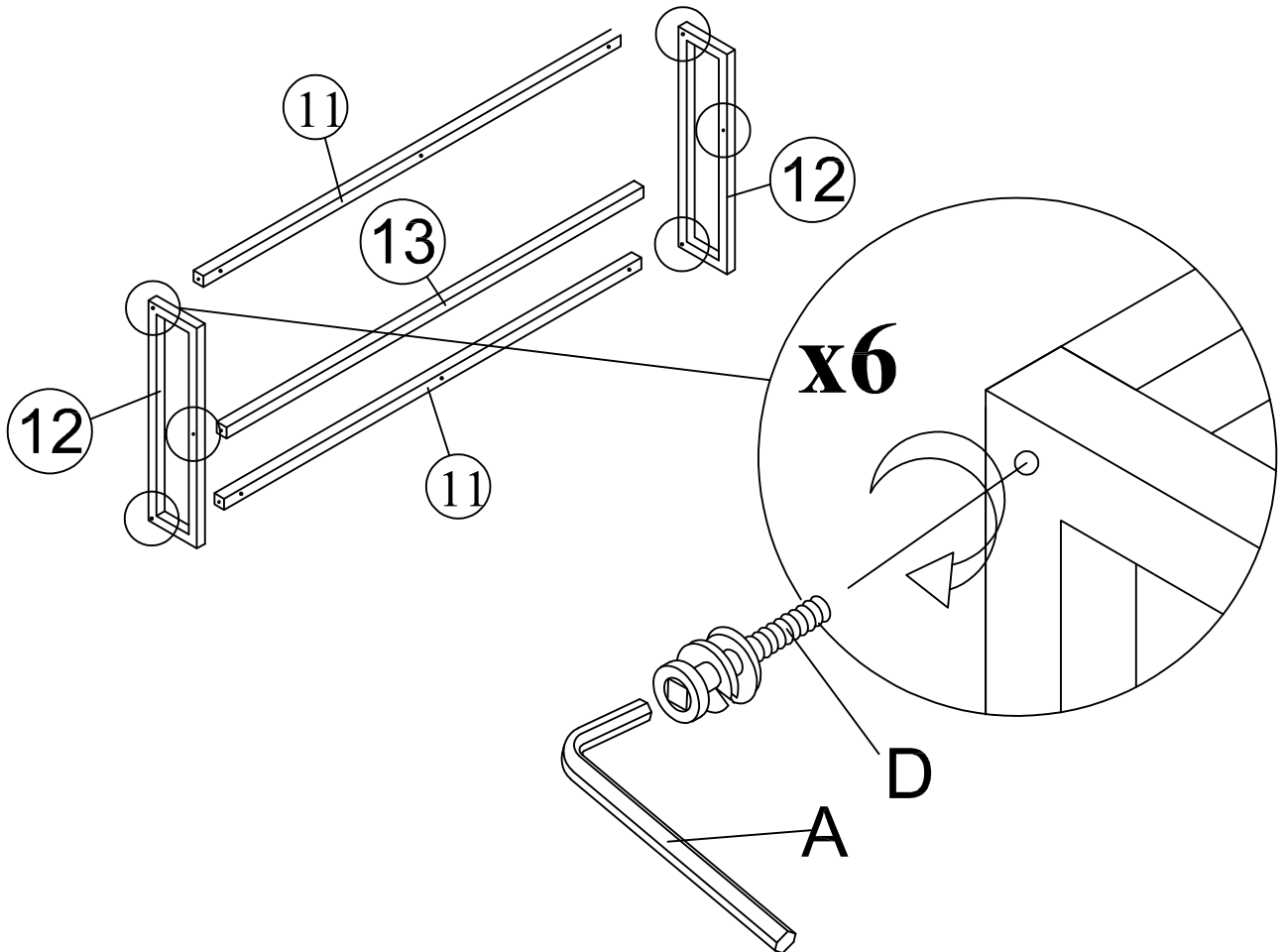
The head of the mini fix housing goes into the open mouth of the mini fix bolt. You then turn the mini fix housing so it tightens over the mini fix bolt.

****Attach Minifix Cap as shown.***

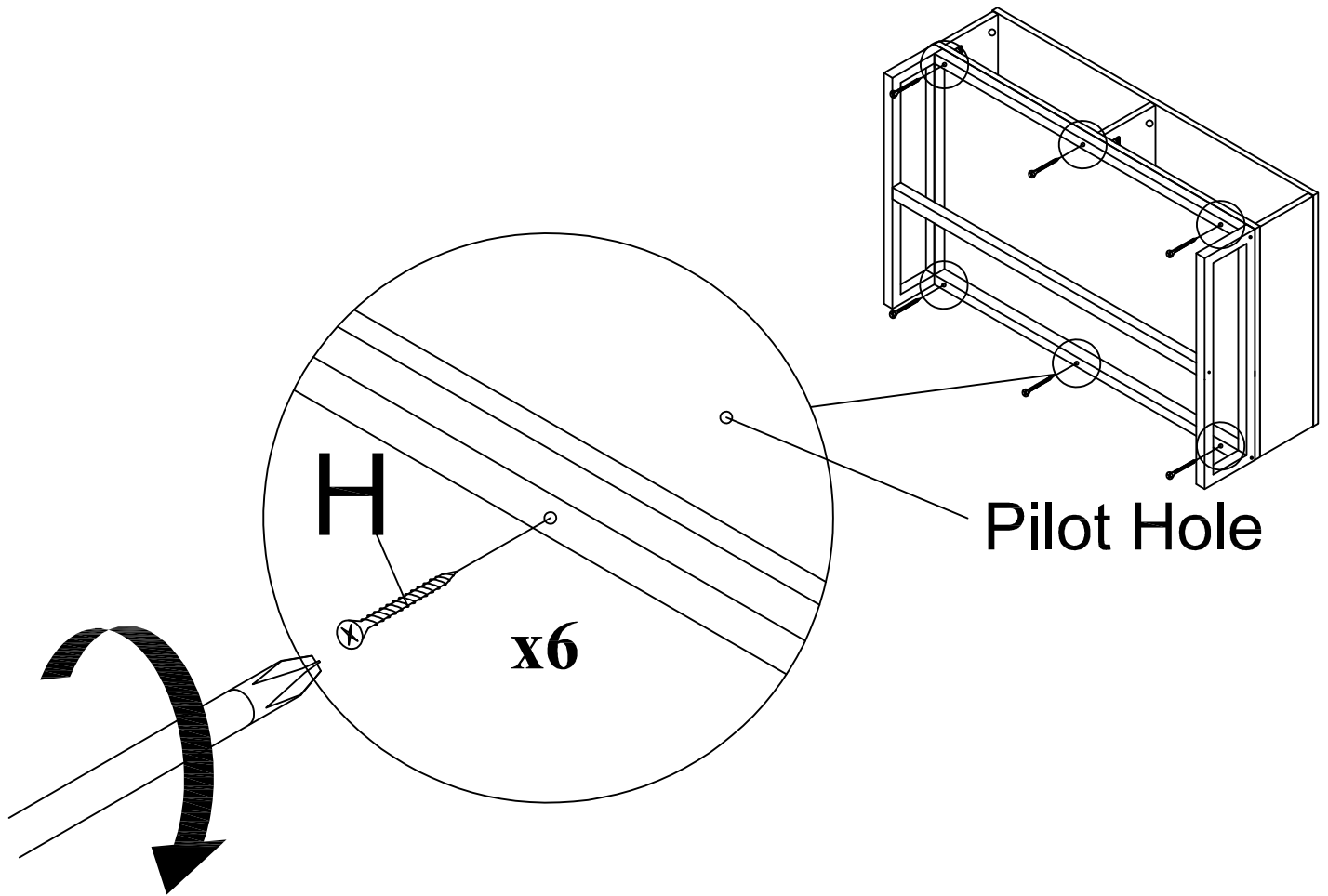
Step 11



Step 12



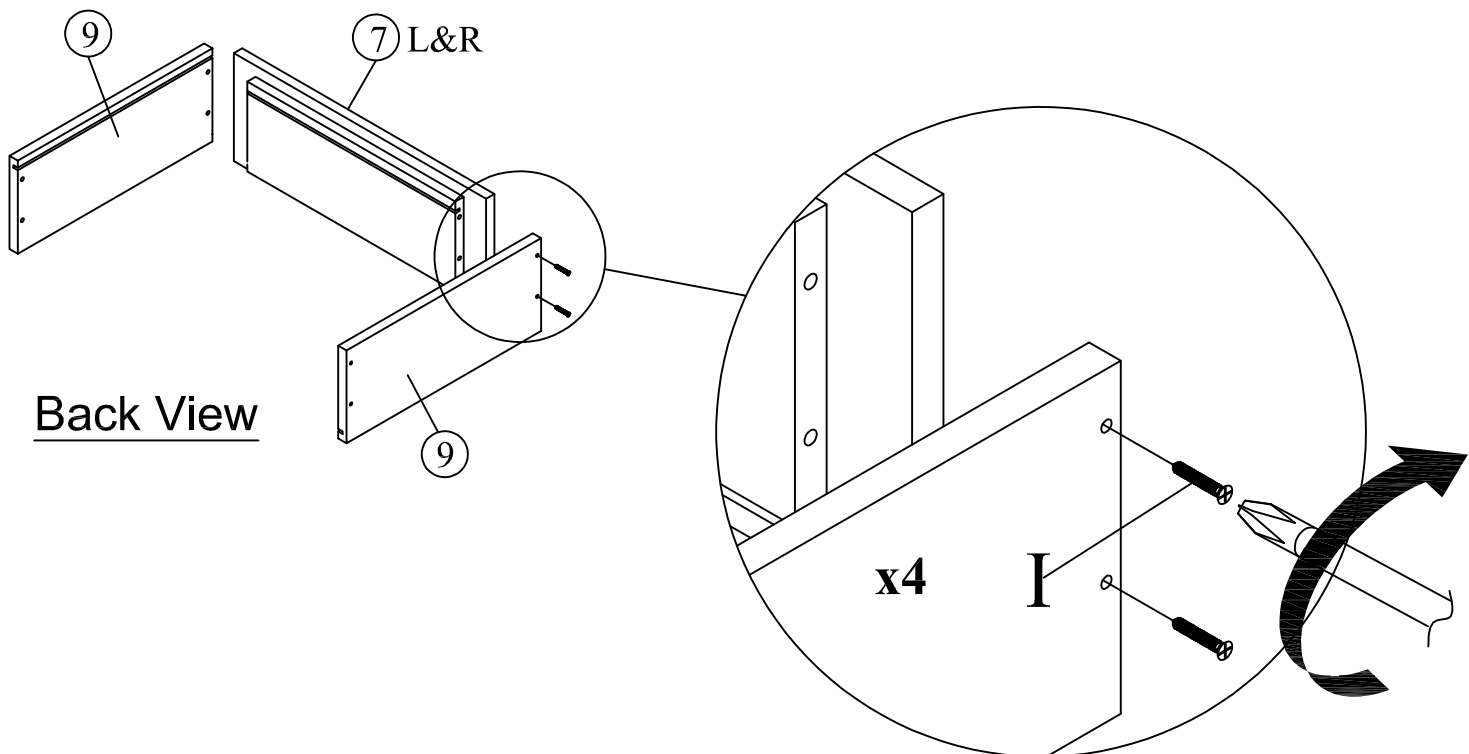
Step 13



Step 14

x2

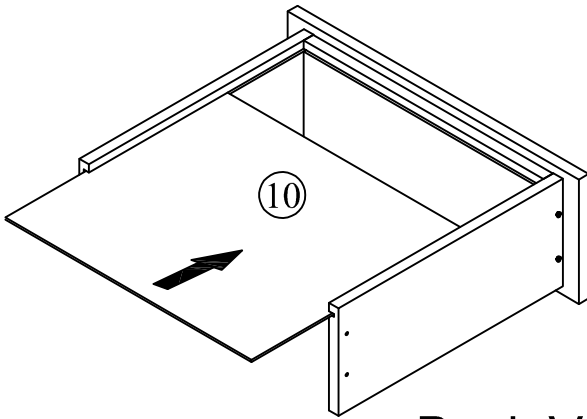
Step 14.1



Step 14

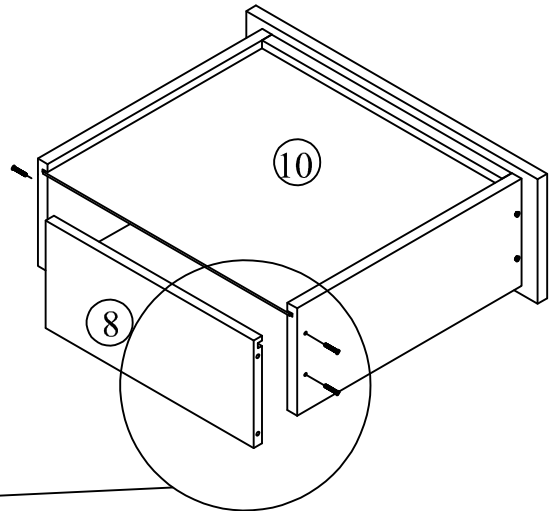
Step 14.2

x2

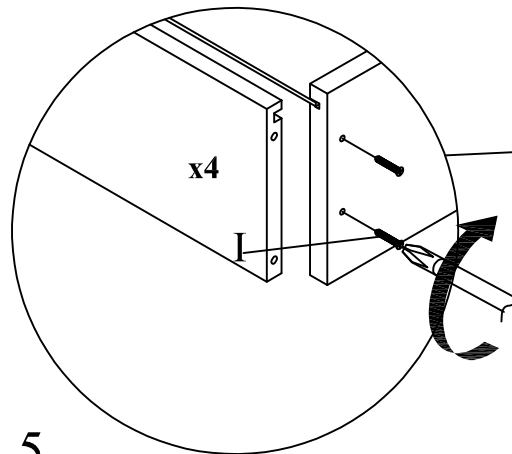


Back View

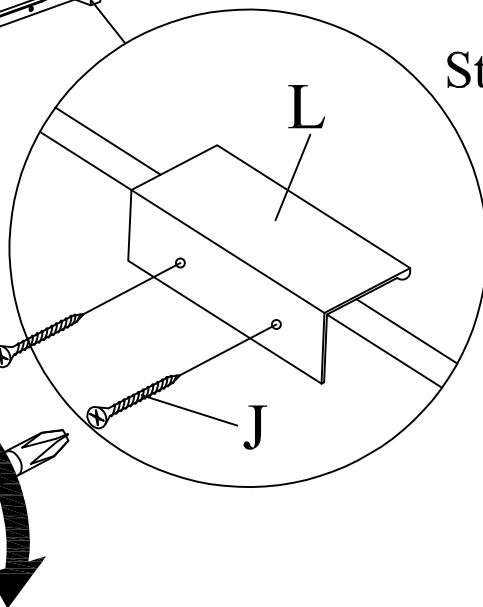
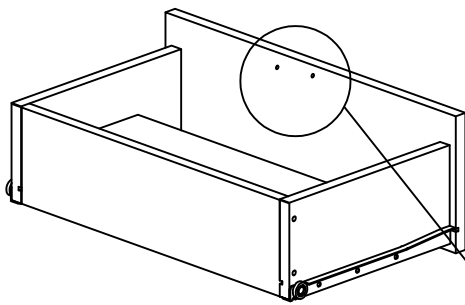
Step 14.3



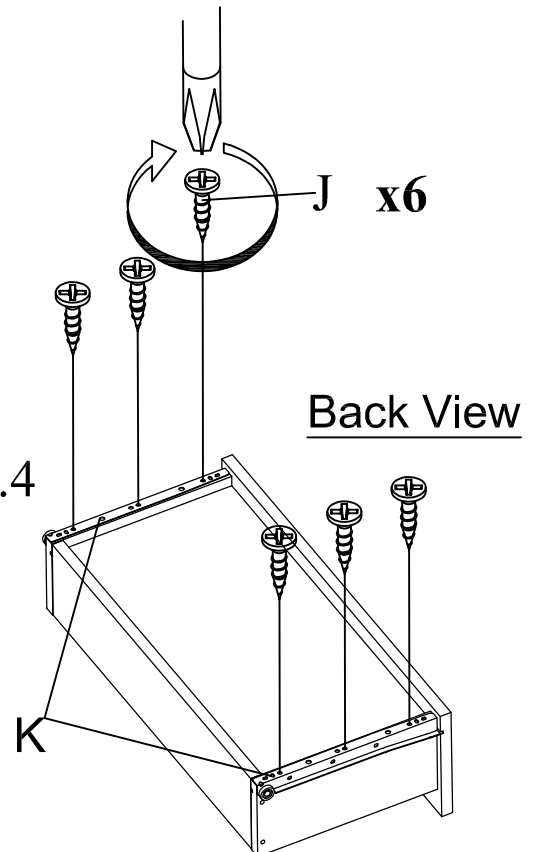
Back View



Step 14.5



Step 14.4



Back View

Step 15

