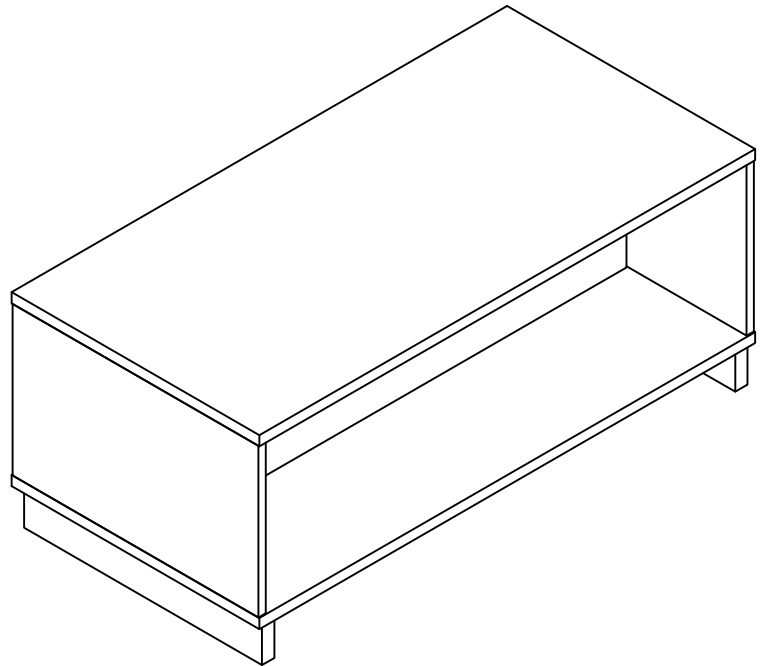


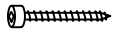






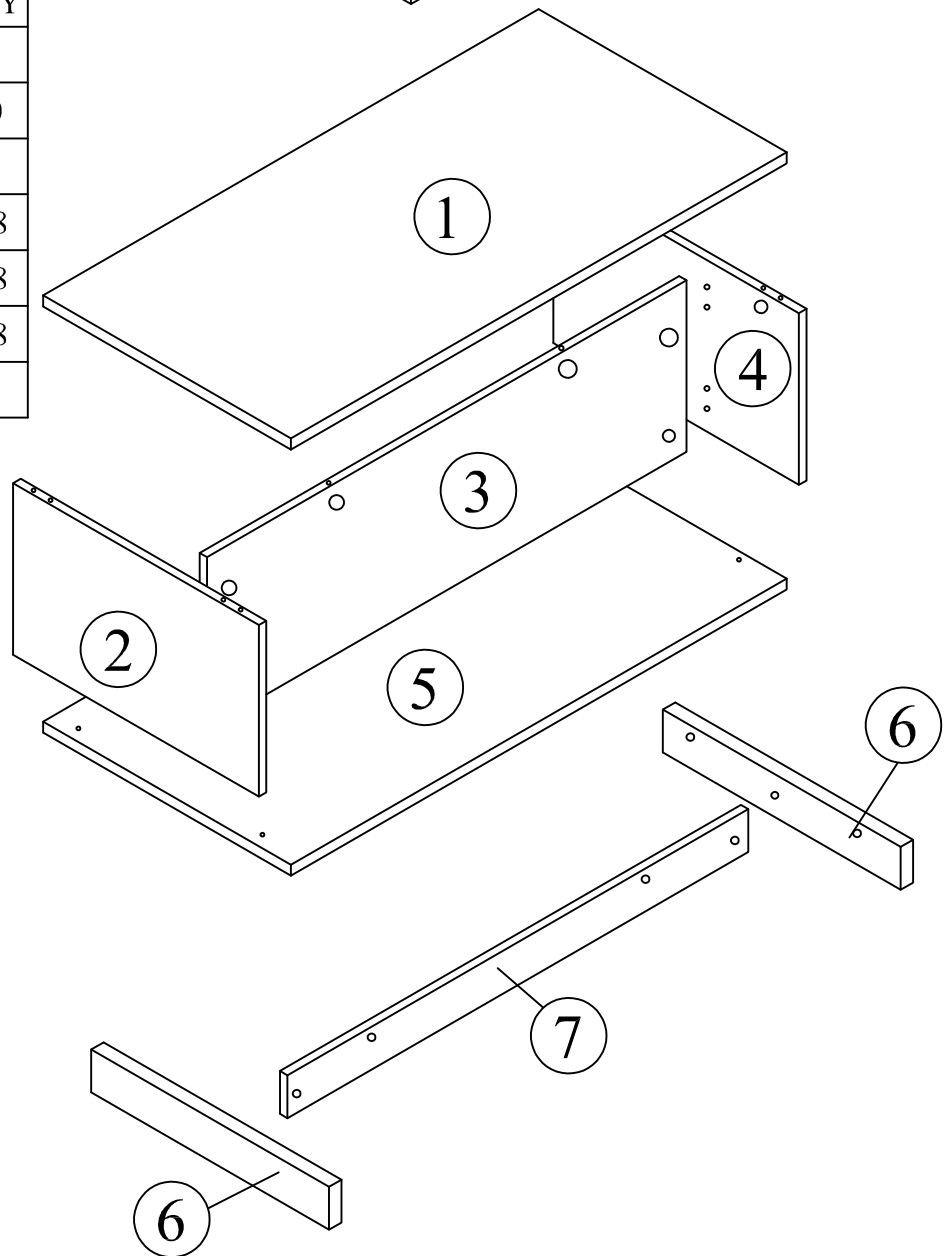
Assembly Instructions

Model: CT 8002

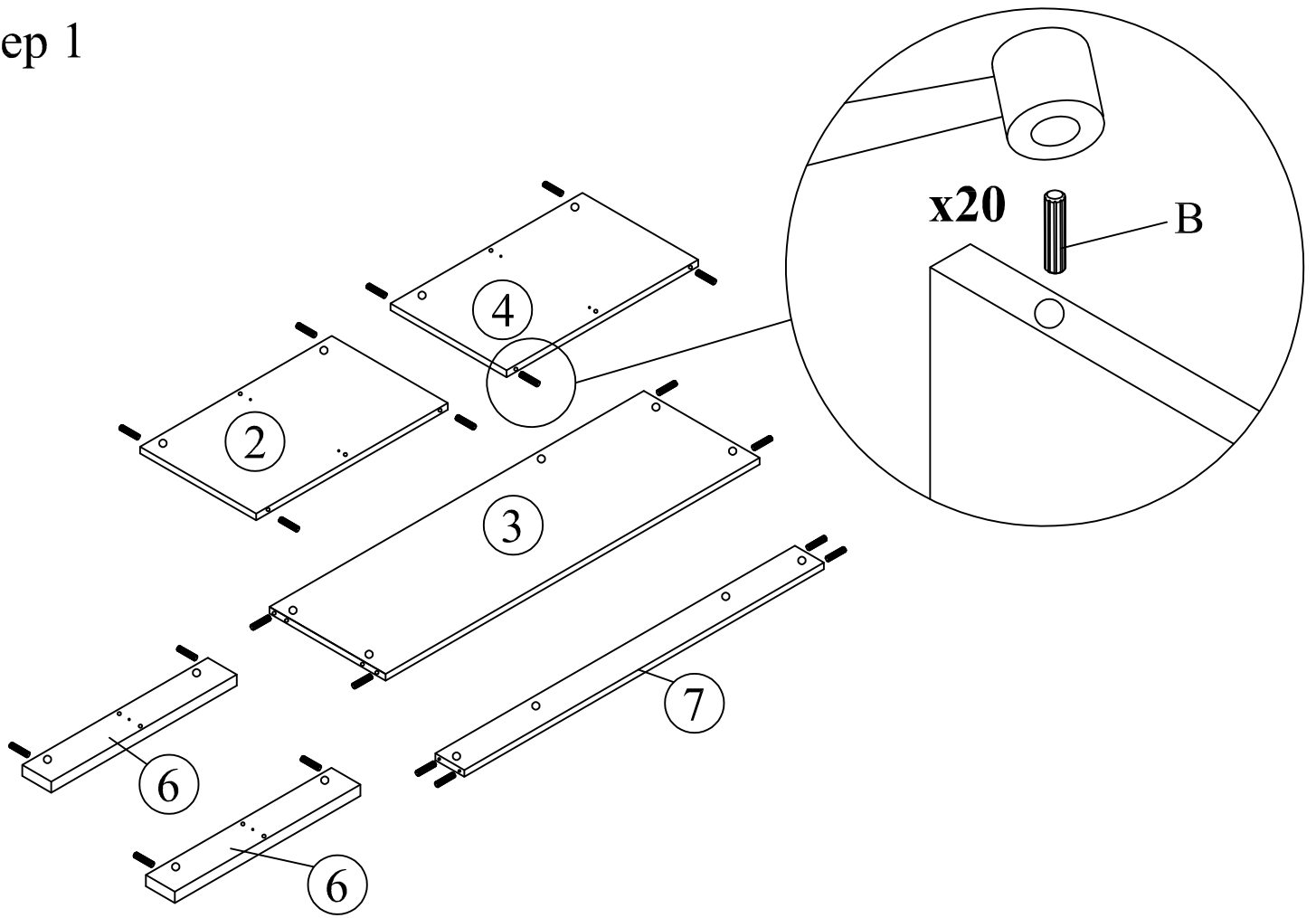
Part List		QTY
1	Top Panel	1
2	Left Side Panel	1
3	Middle Panel	1
4	Right Side Panel	1
5	Bottom Panel	1
6	Side Leg	2
7	Middle Support Leg	1



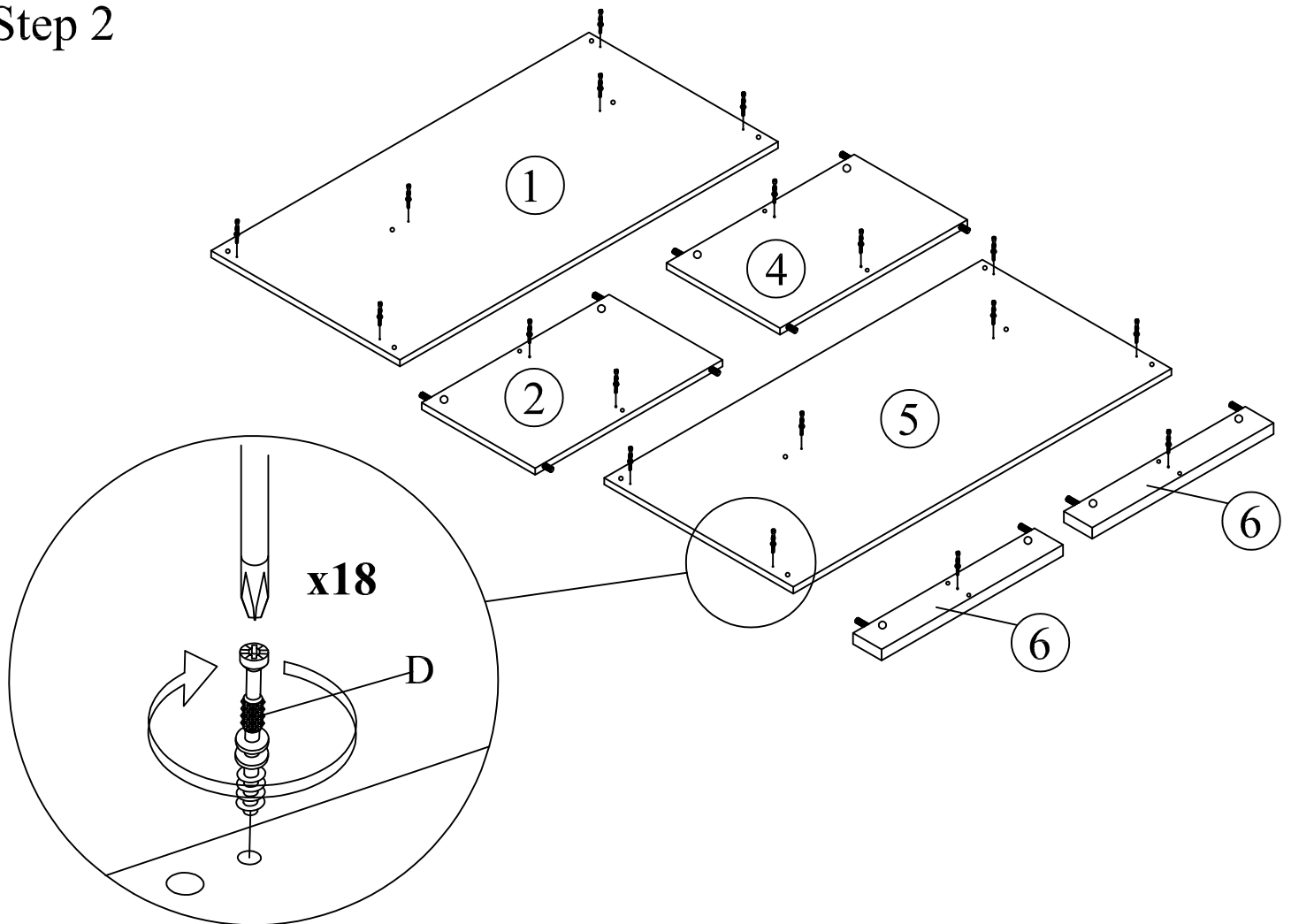
Hardware		QTY
A	Allen Key M4 	1
B	Wood Dowel 	20
C	JCBC W Screw M6x40 	4
D	Mini Fix Bolt 	18
E	Mini Fix Housing 	18
F	Mini Fix Cap 	18
G	White Nail 	4



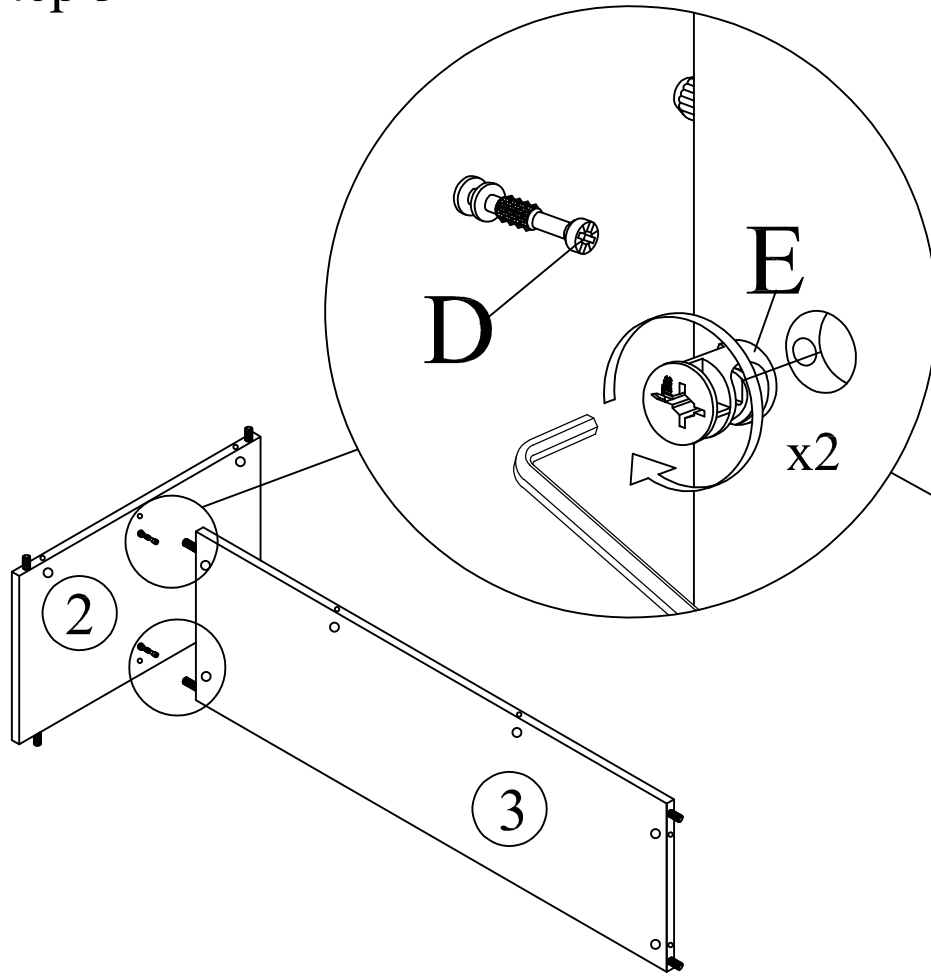
Step 1



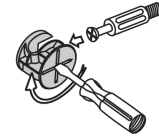
Step 2



Step 3



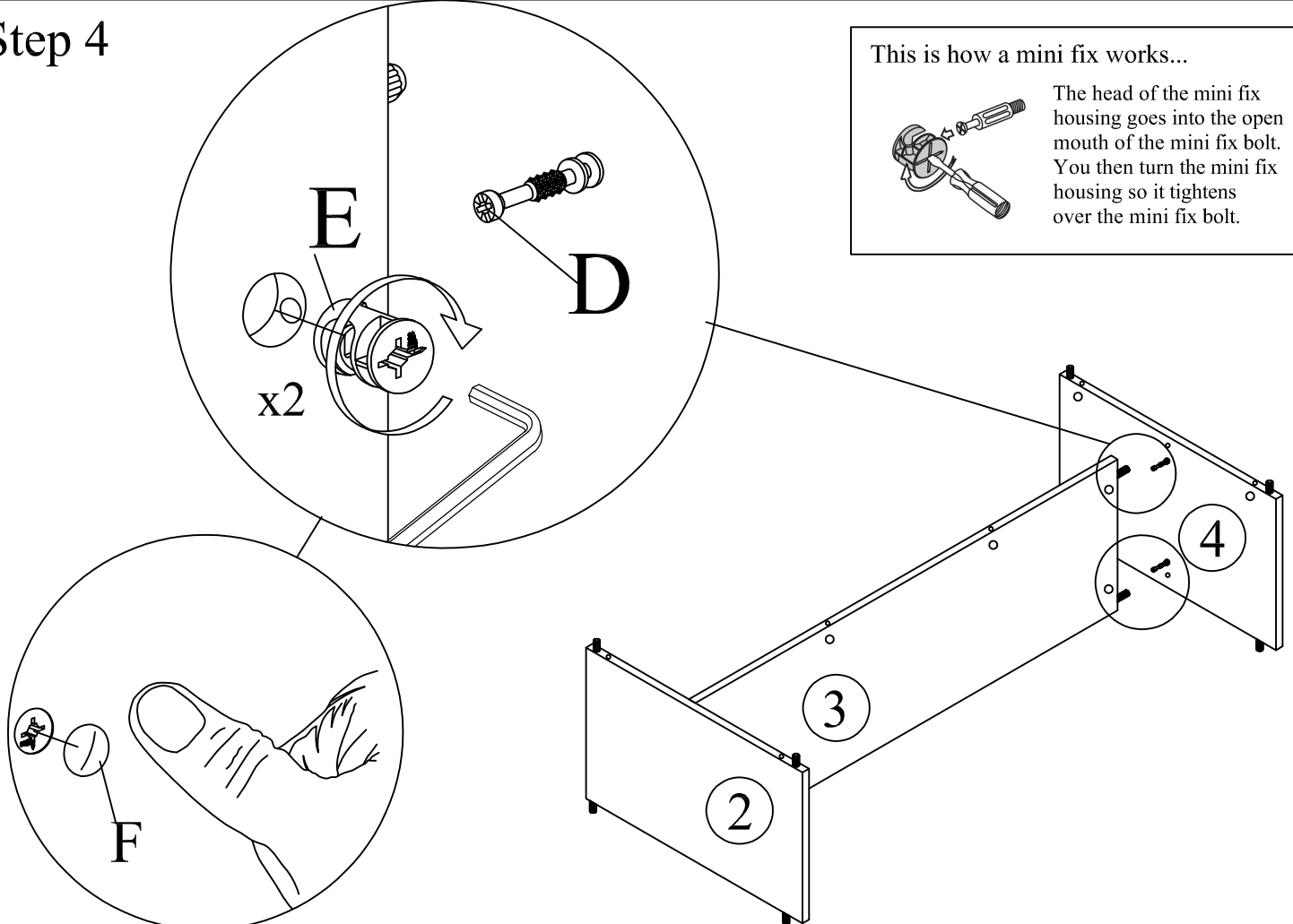
This is how a mini fix works...



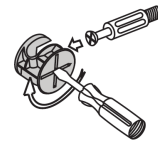
The head of the mini fix housing goes into the open mouth of the mini fix bolt. You then turn the mini fix housing so it tightens over the mini fix bolt.

***Attach Minifix Cap as shown.**

Step 4



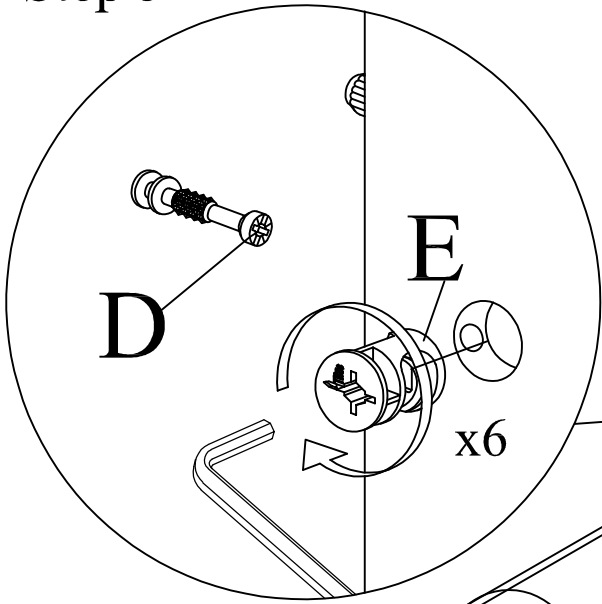
This is how a mini fix works...



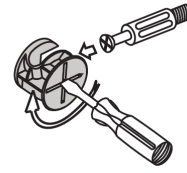
The head of the mini fix housing goes into the open mouth of the mini fix bolt. You then turn the mini fix housing so it tightens over the mini fix bolt.

***Attach Minifix Cap as shown.**

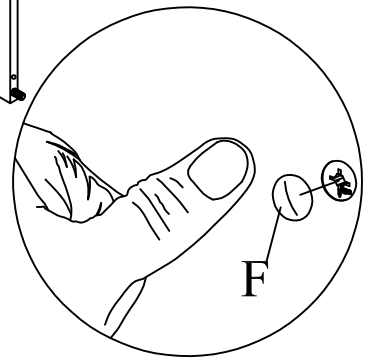
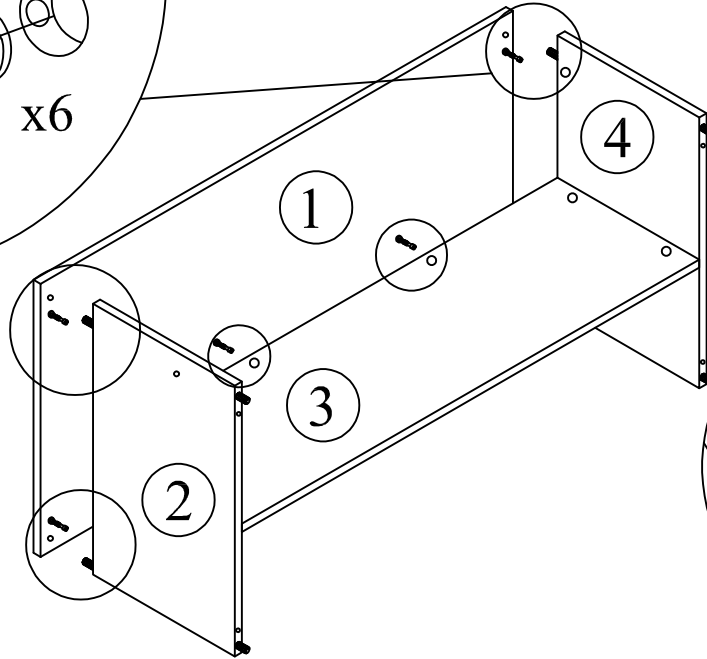
Step 5



This is how a mini fix works...

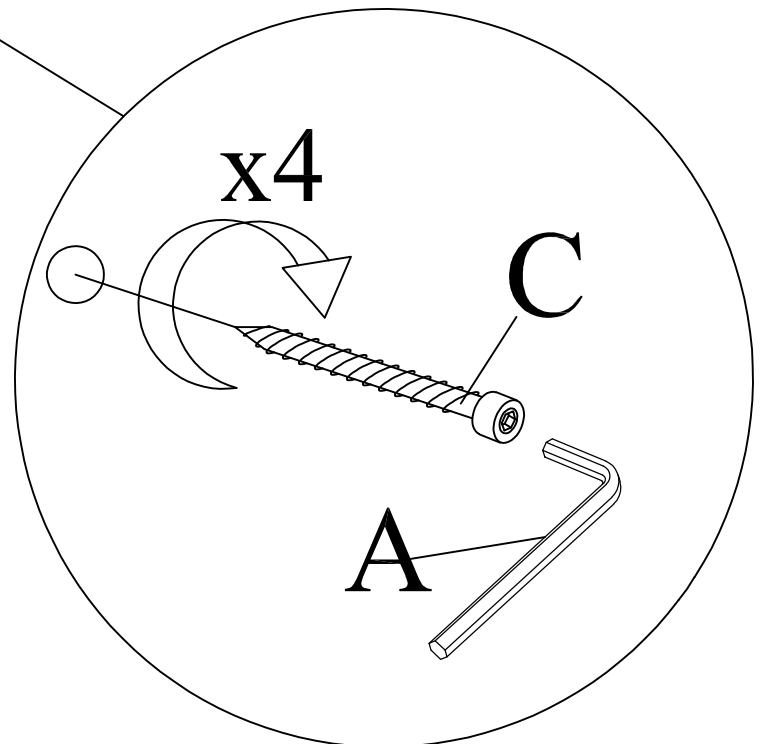
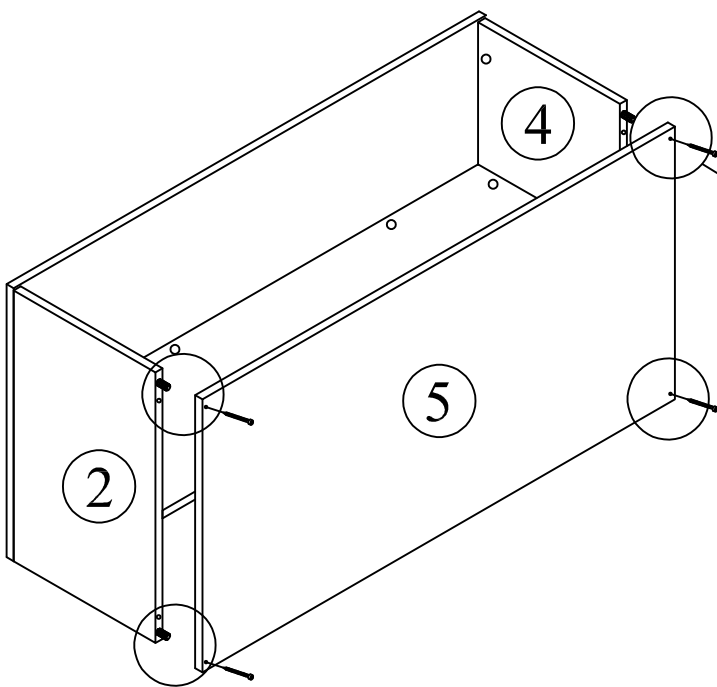


The head of the mini fix housing goes into the open mouth of the mini fix bolt. You then turn the mini fix housing so it tightens over the mini fix bolt.

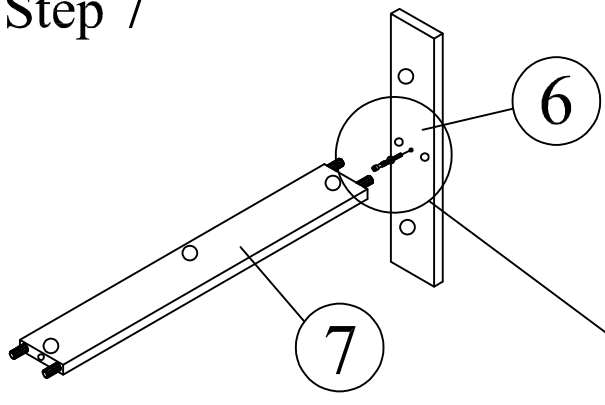


**Attach Minifix Cap as shown.*

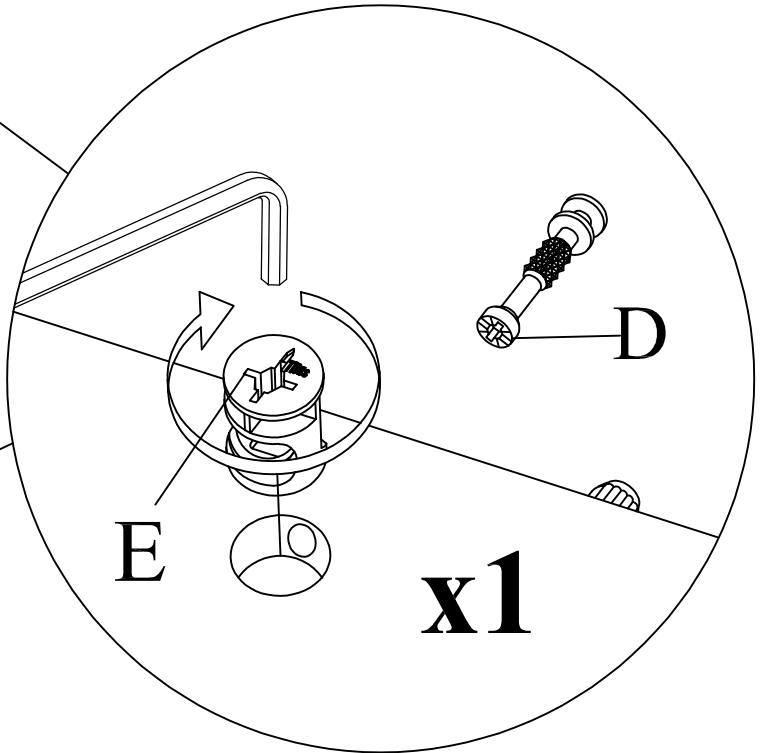
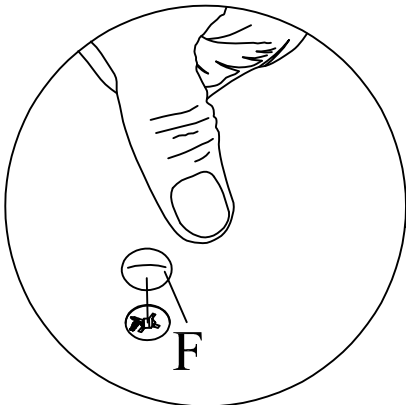
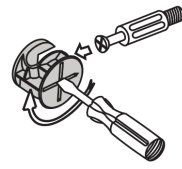
Step 6



Step 7

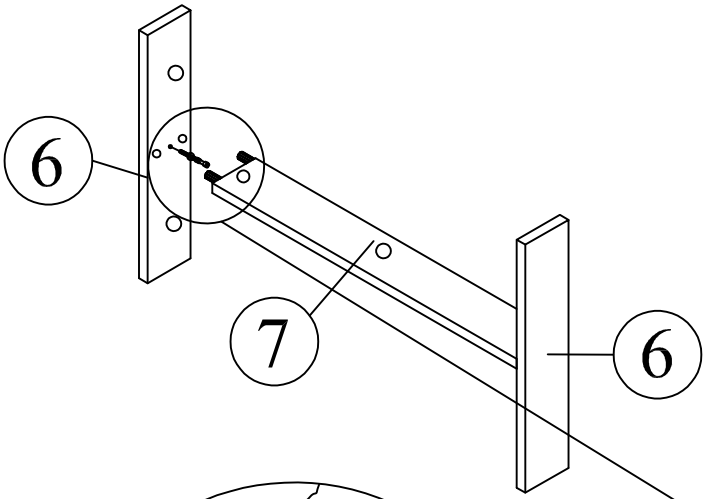


This is how a mini fix works...
The head of the mini fix housing goes into the open mouth of the mini fix bolt. You then turn the mini fix housing so it tightens over the mini fix bolt.

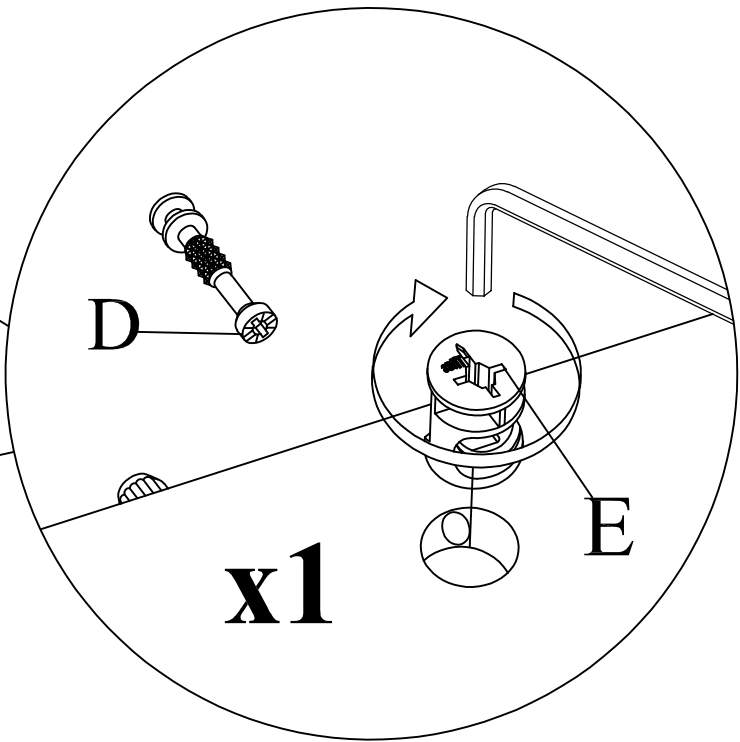
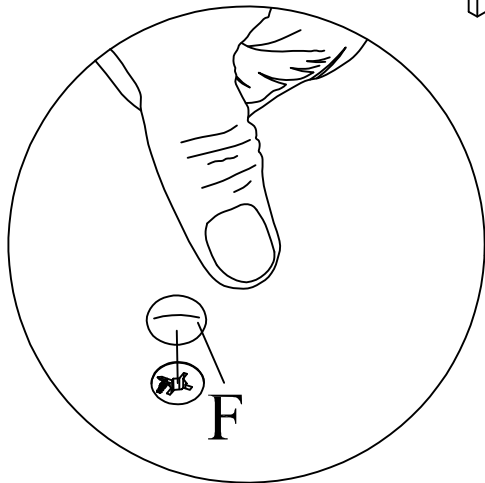
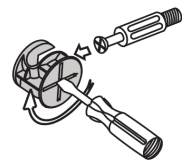


***Attach Minifix Cap as shown.**

Step 8

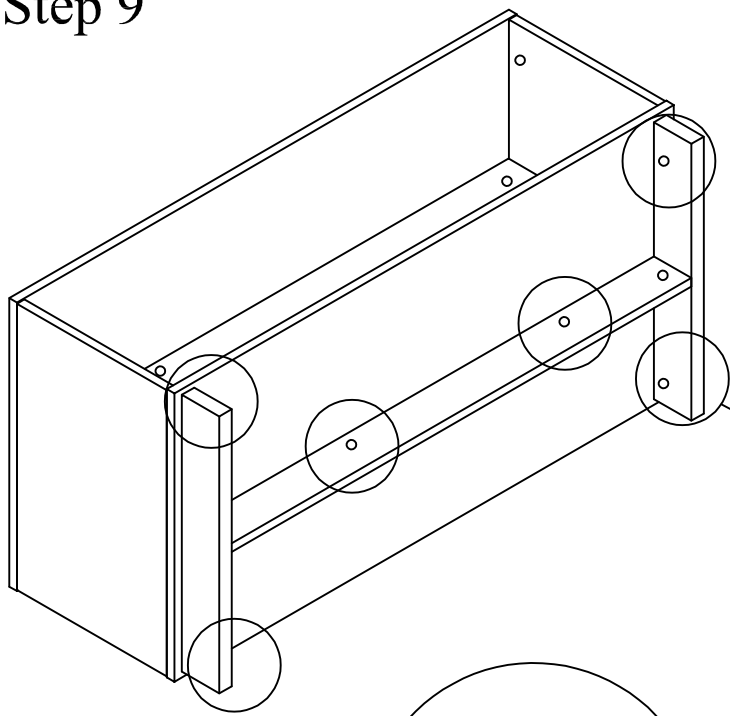


This is how a mini fix works...
The head of the mini fix housing goes into the open mouth of the mini fix bolt. You then turn the mini fix housing so it tightens over the mini fix bolt.

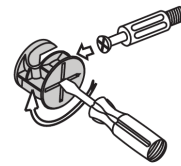


***Attach Minifix Cap as shown.**

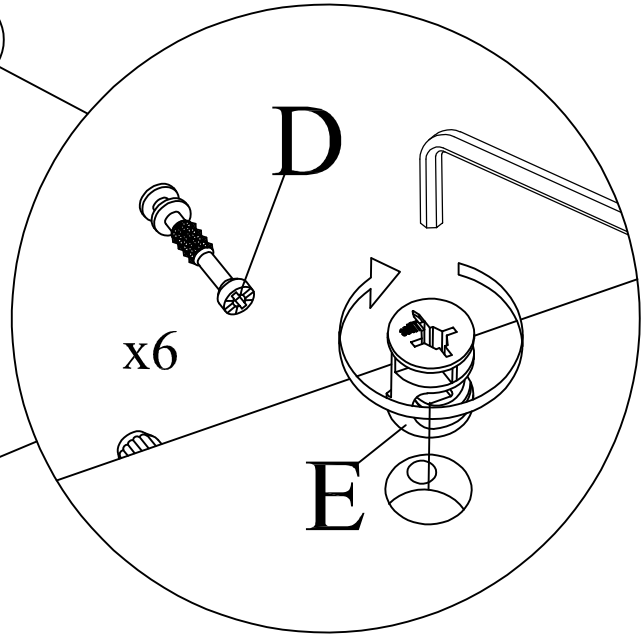
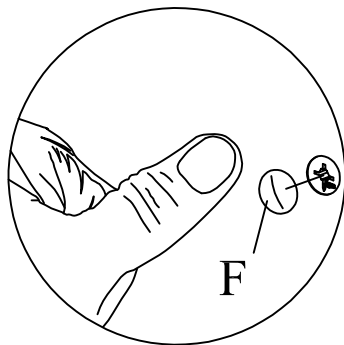
Step 9



This is how a mini fix works...



The head of the mini fix housing goes into the open mouth of the mini fix bolt. You then turn the mini fix housing so it tightens over the mini fix bolt.



**Attach Minifix Cap as shown.*

Step 10

