

# PRODUCT CODE : CS002P BAR CHAIR





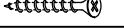
# ASSEMBLY INSTRUCTIONS

Read this instruction carefully. See hardware and furniture part list for guidance. Be sure all part is complete, before you assemble. Place all wooden furniture part on a clean and flat soft surface to prevent from being scratched. Follow the figure to start assembling.

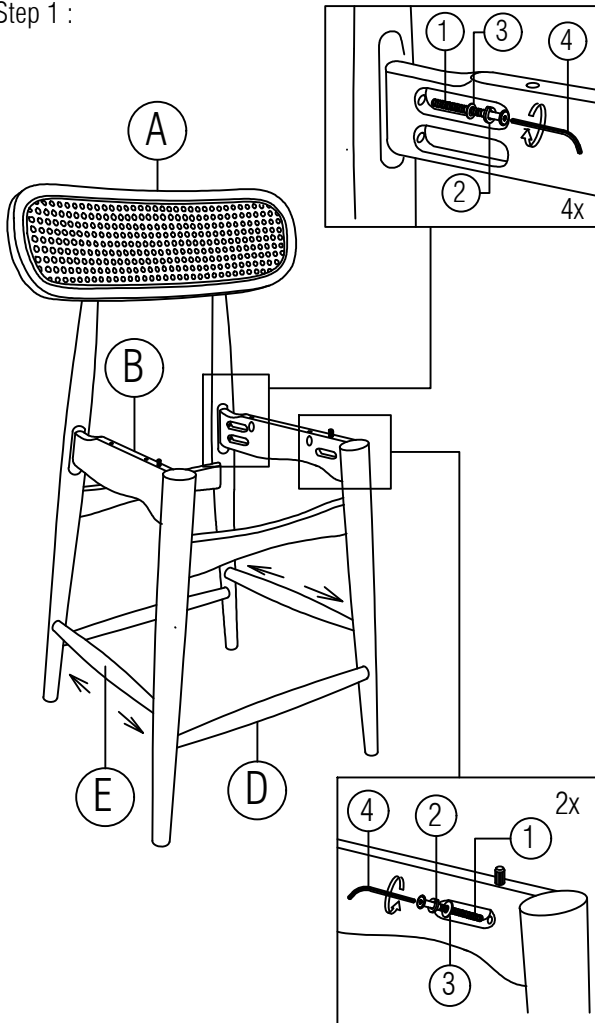
### CAUTIONS :

1. Do not FULLY-TIGHTEN the nut or nut bolt until all nut or bolt is ready assembled.
2. Do not OVER-TIGHTEN the nut or nut bolt to avoid causing damages to the thread.
3. Keep all hardware part out of reach of children.

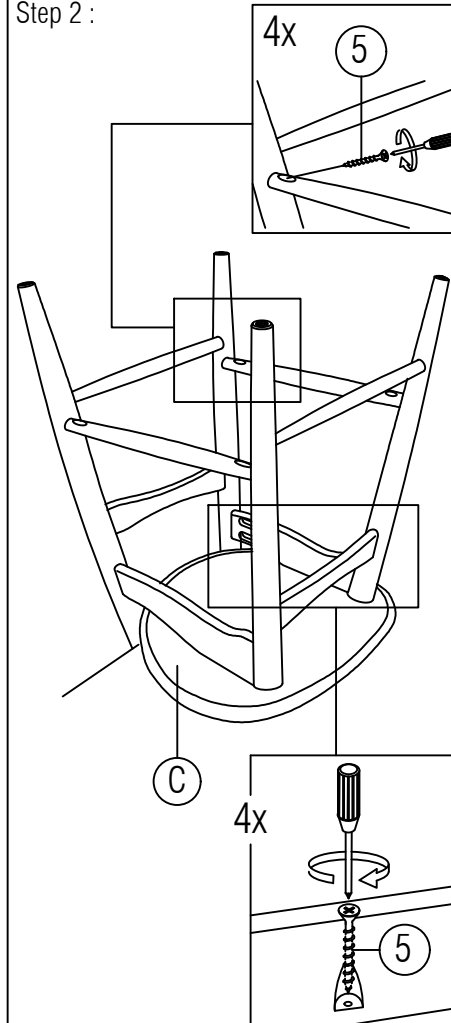
PART LIST		
ITEM	DESCRIPTION	QTY
A	BACK REST	1 PC
B	SIDE RAIL - L & R	2 PCS
C	CUSHION SEAT	1 PC
D	FRONT LEG	1 PC
E	SIDE STRETCHER	2 PCS

HARWARE LIST		
ITEM	DESCRIPTION	QTY
1	JCBC SCREW M6 x 50MM 	6 PCS
2	SPRING WASHER 1/4" 	6 PCS
3	FLAT WASHER 13MM 	6 PCS
4	ALLEN KEY (M4) LONG 	1 PC
5	CSK SCREW M4 x 32MM 	8 PCS

### Step 1 :



### Step 2 :



### Step 3 :

