





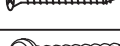
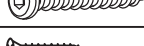
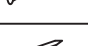


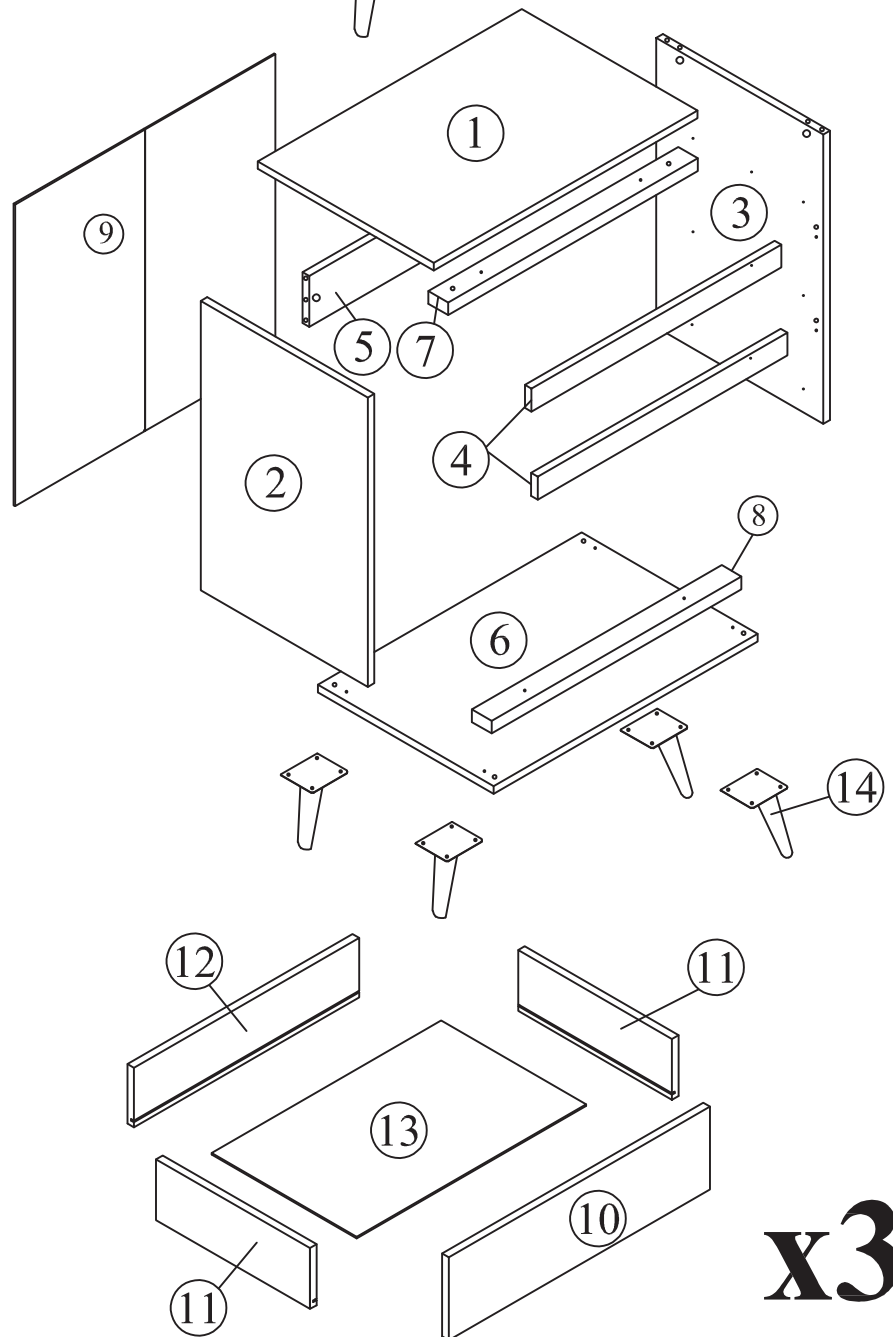
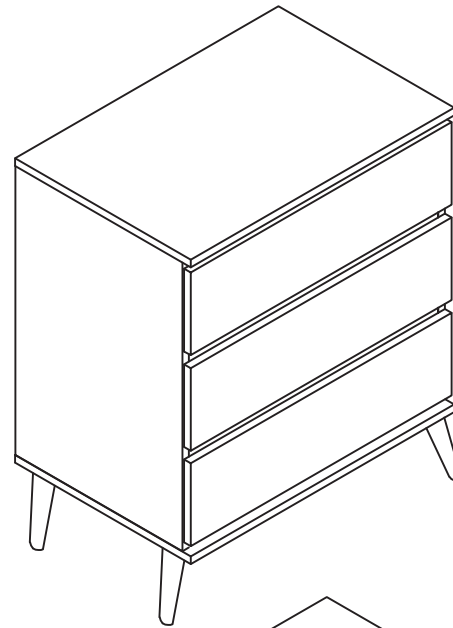


Assembly Instructions

Model: CH 8003

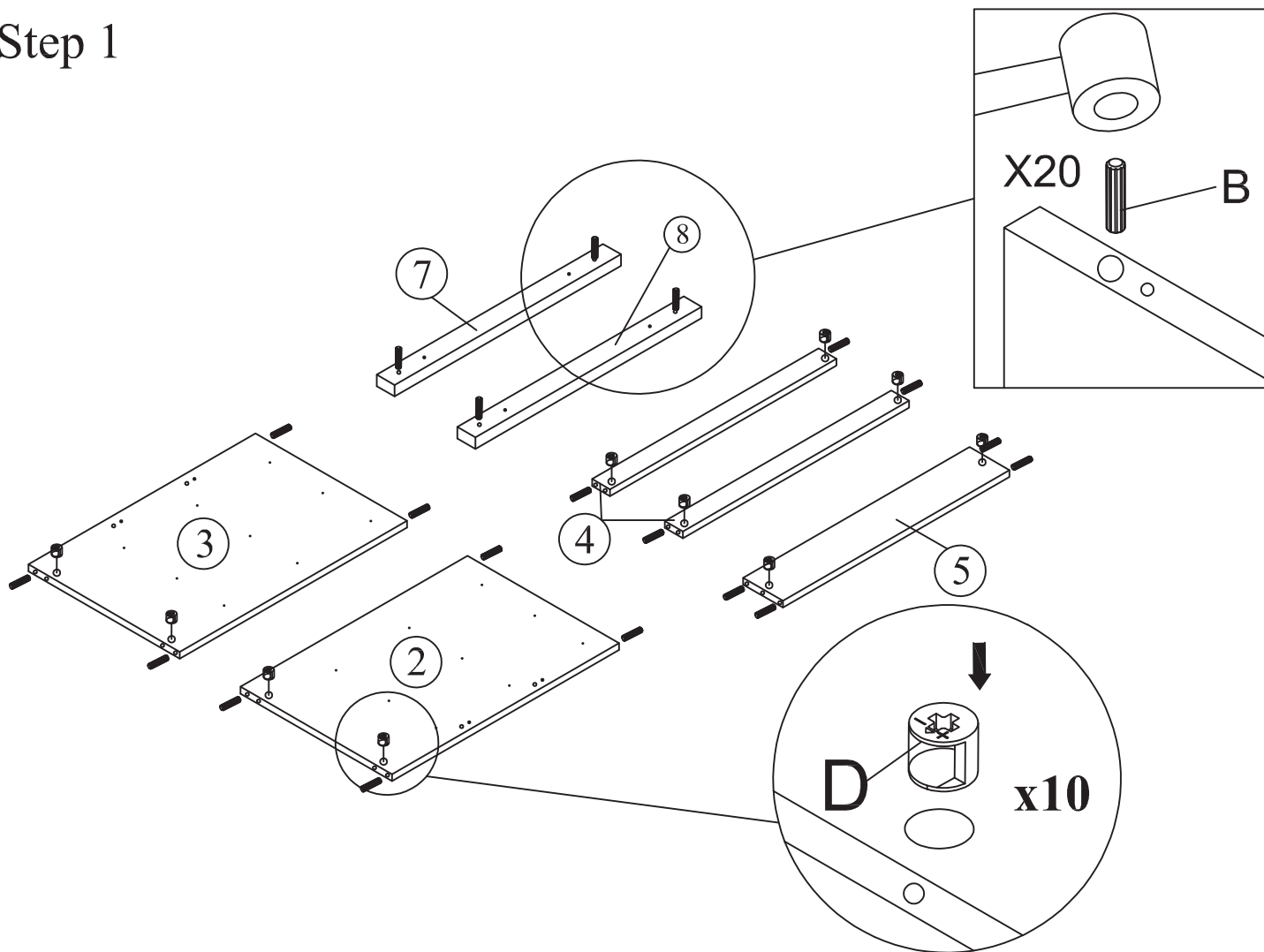
NO.	DESCRIPTION	QTY
1	Top Panel	1
2	Side Panel (L)	1
3	Side Panel (R)	1
4	Middle Support Panel	2
5	Back Support Panel	1
6	Bottom Panel	1
7	Top Support Bar	1
8	Bottom Support Bar	1
9	Back Panel	1
10	Drawer Front Panel	3
11	Drawer Side Panel	6
12	Drawer Back Panel	3
13	Drawer Bottom Panel	3
14	Plastic Leg	4

NO.	DESCRIPTION	QTY
A	 Allen Key M4	1
B	 Dowel	20
C	 Mini Fix Bolt	10
D	 Mini Fix Housing	10
E	 Mini Fix Cap	10
F	 CSK Screw M3.5x16mm	52
G	 CSK Screw M4x50mm	24
H	 JCBC W M4x40mm	4
I	 CSK Screw M4x32mm	4
J	 Nail	24
K	 350mm Drawer Slide	3 set

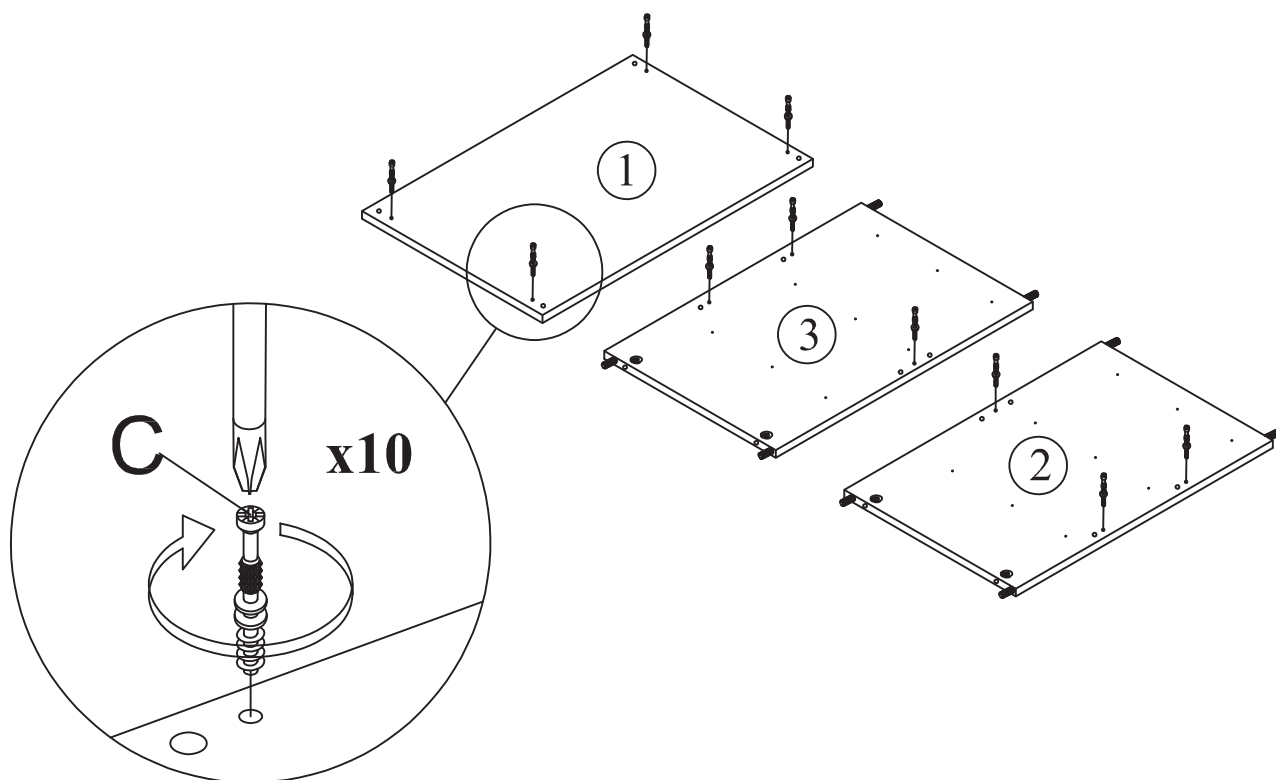


x3

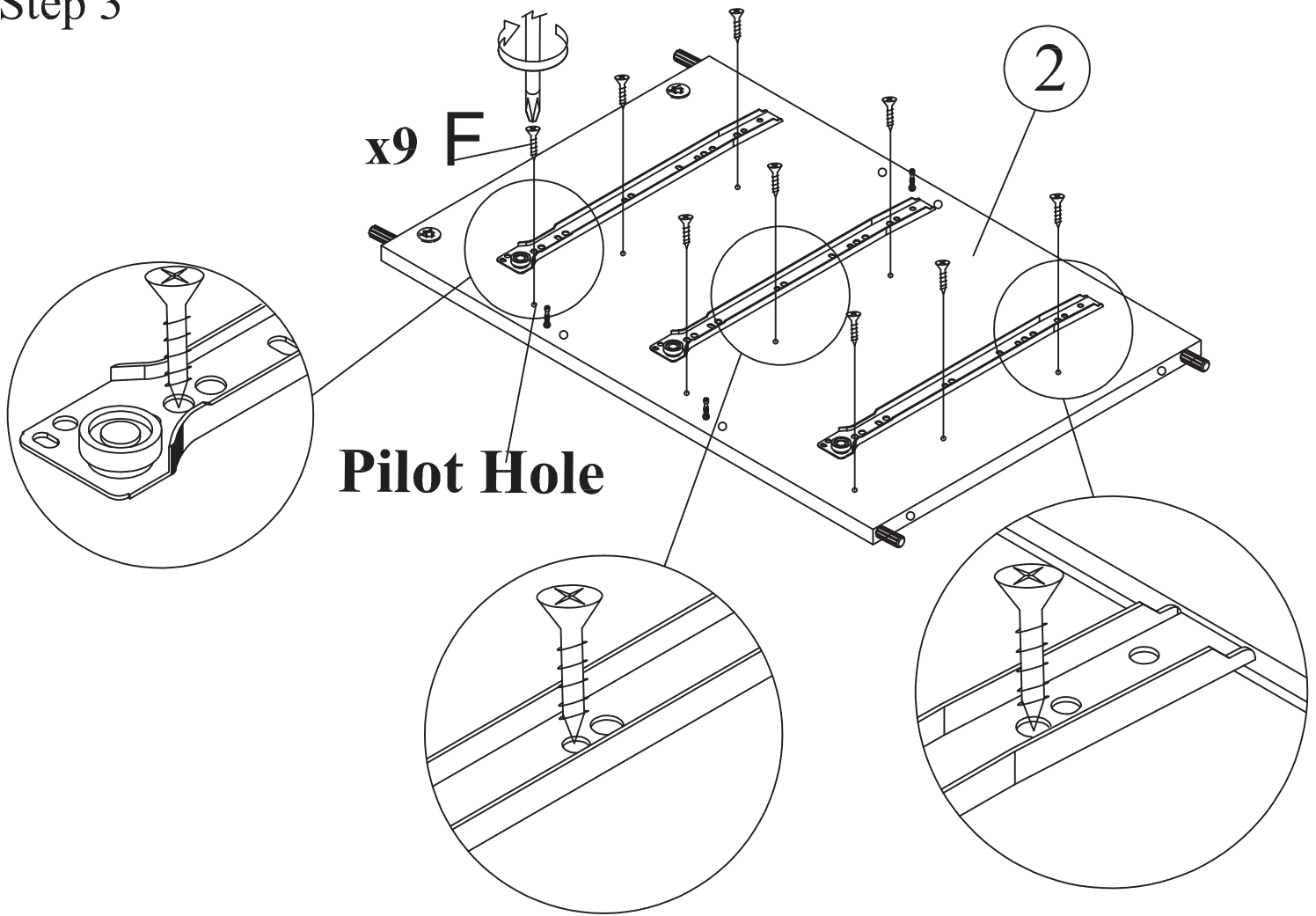
Step 1



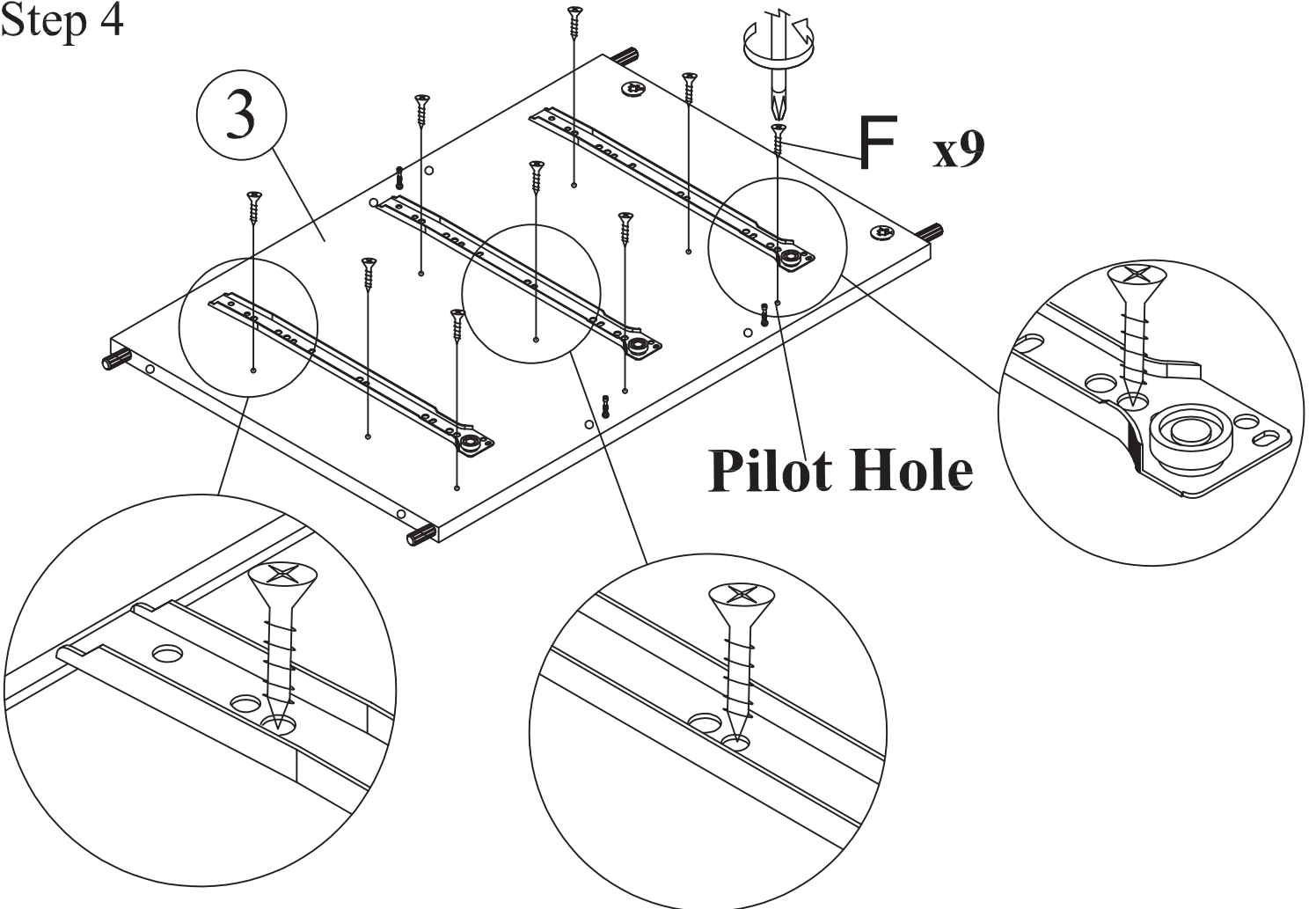
Step 2



Step 3

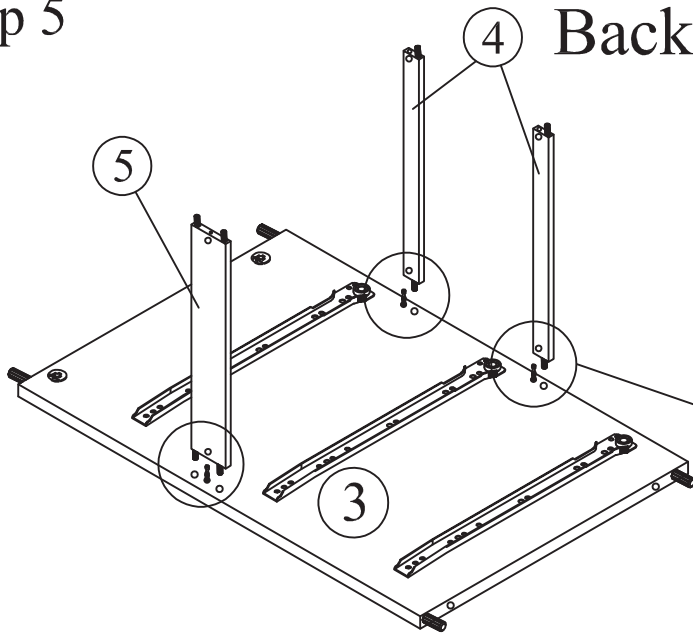


Step 4

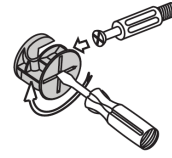


Step 5

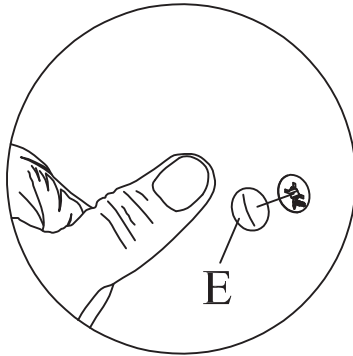
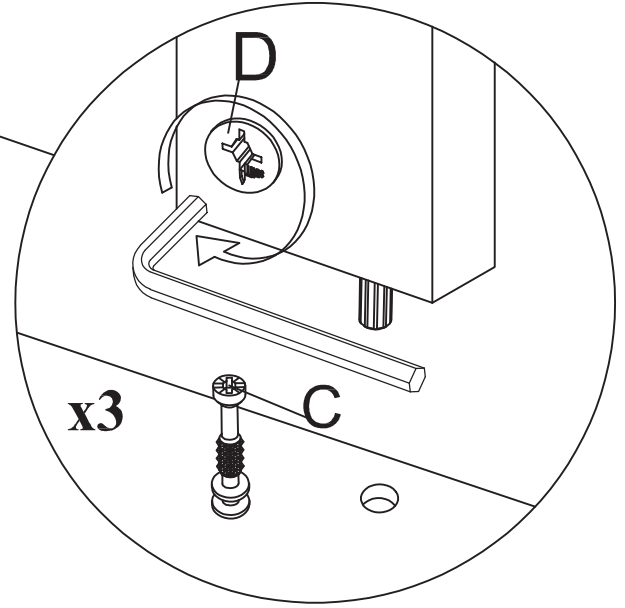
Back View



This is how a mini fix works...

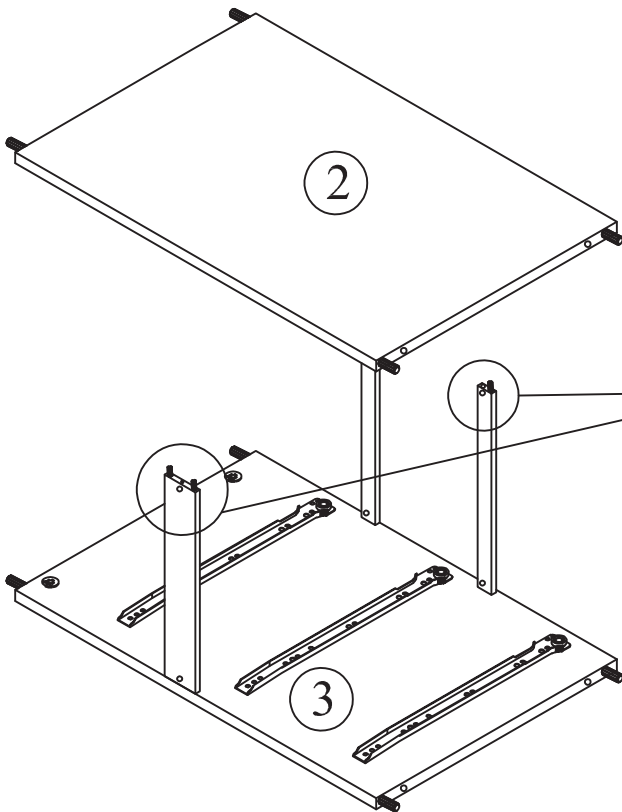


The head of the mini fix housing goes into the open mouth of the mini fix bolt. You then turn the mini fix housing so it tightens over the mini fix bolt.

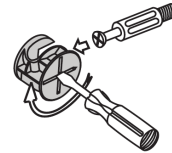


Step 6

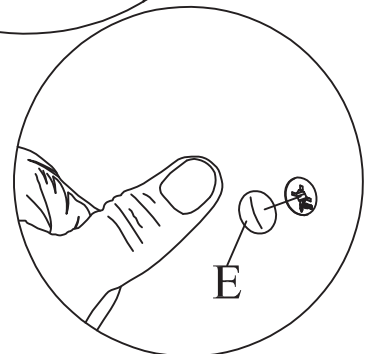
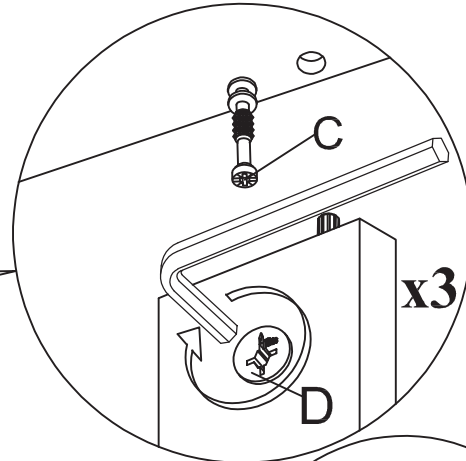
Back View



This is how a mini fix works...

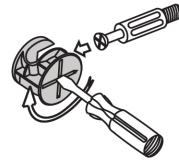


The head of the mini fix housing goes into the open mouth of the mini fix bolt. You then turn the mini fix housing so it tightens over the mini fix bolt.

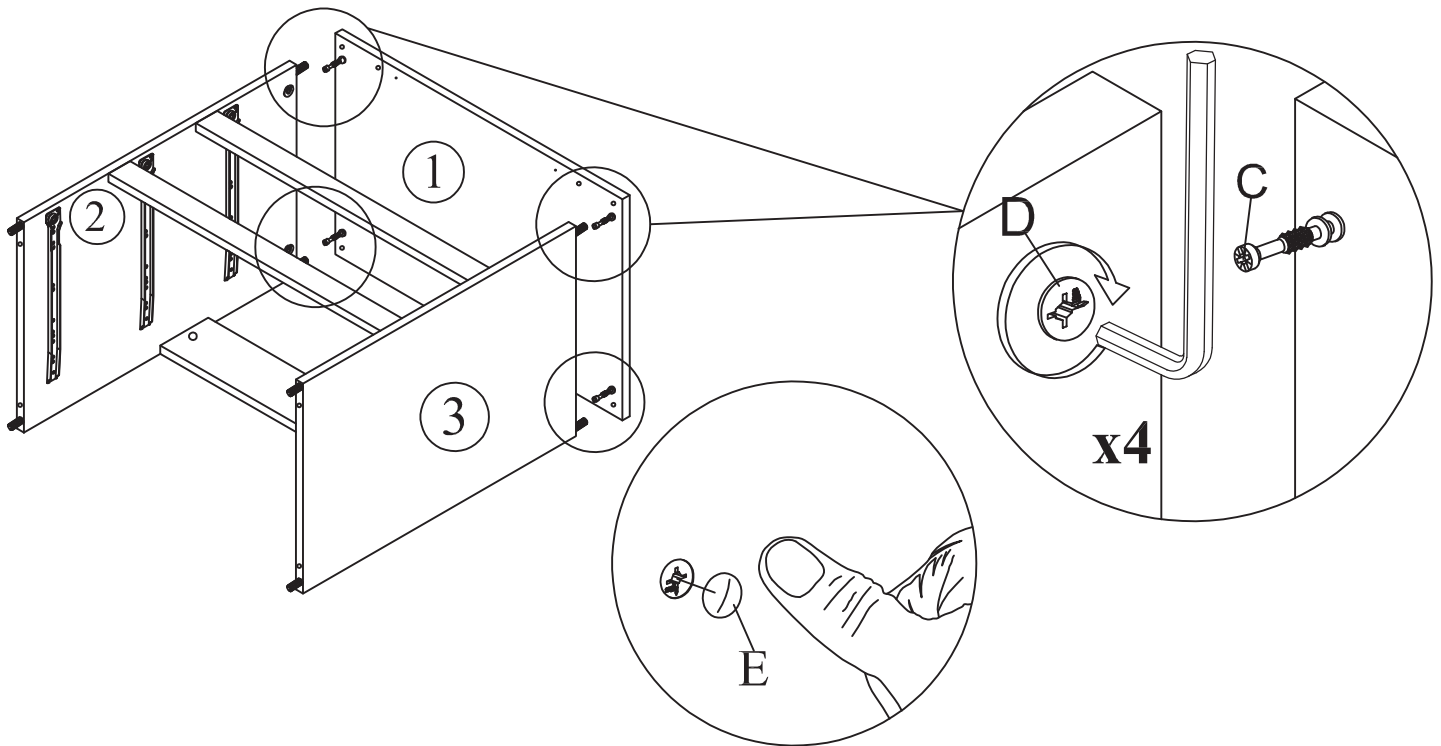


Step 7

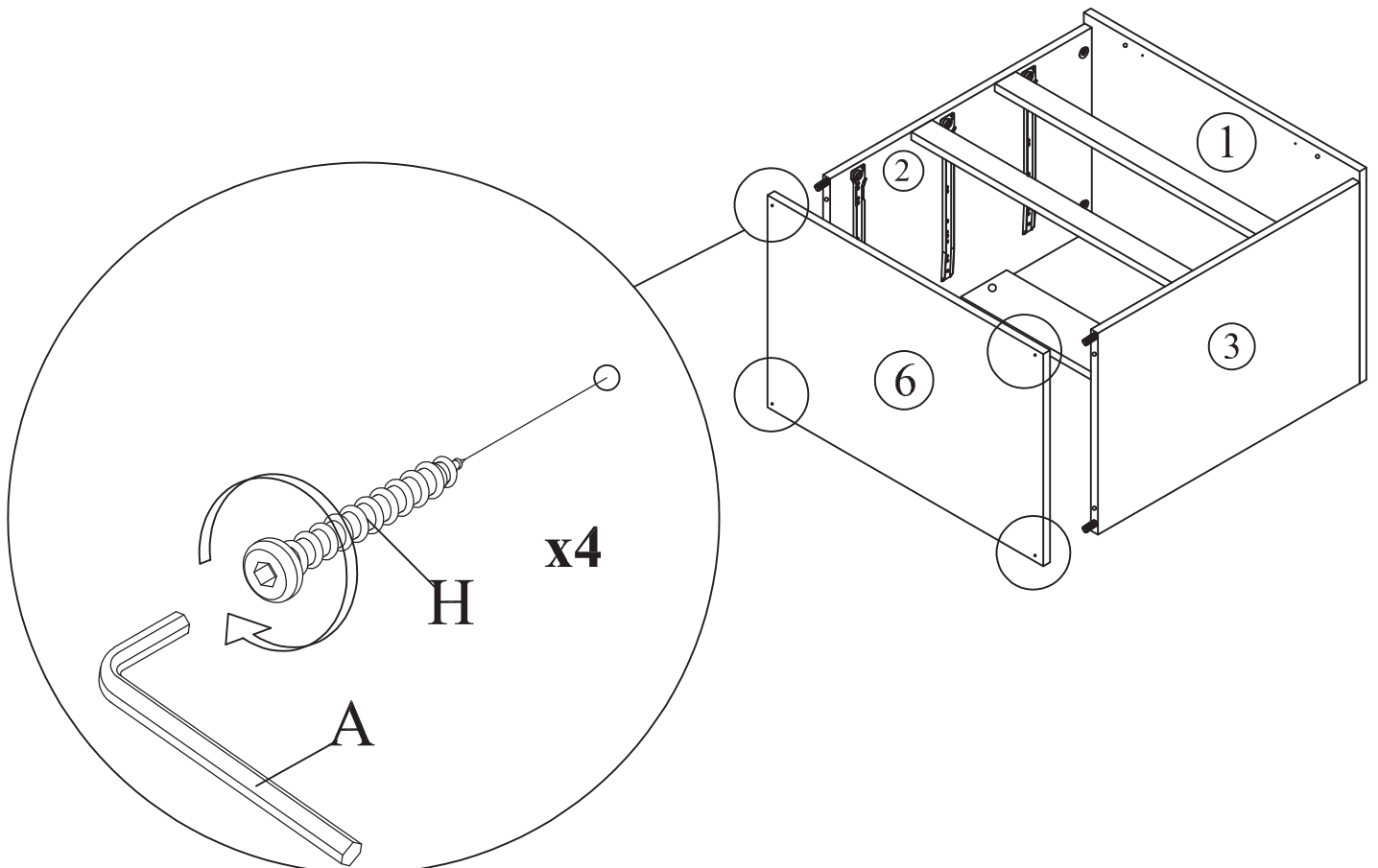
This is how a mini fix works...



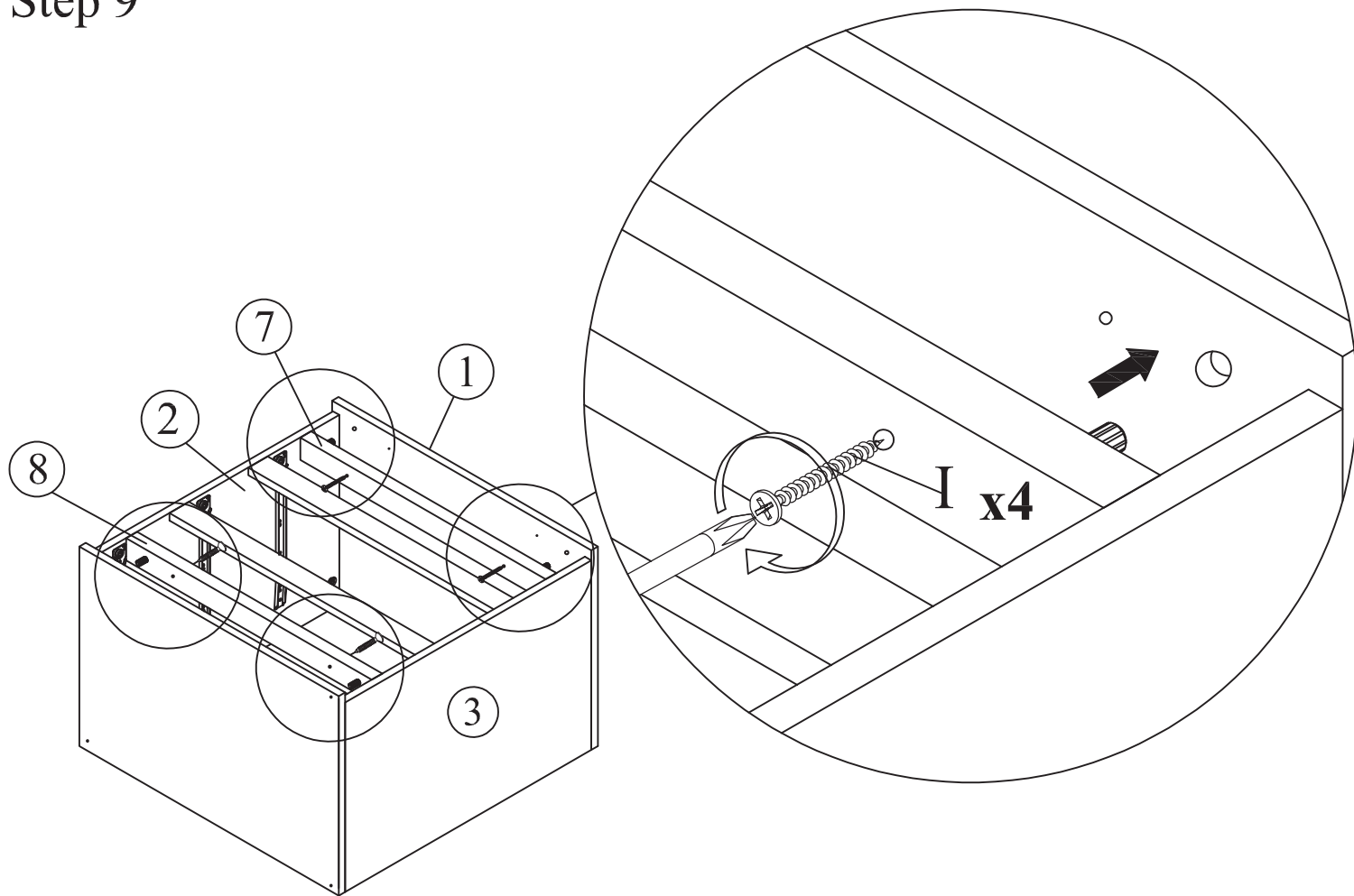
The head of the mini fix housing goes into the open mouth of the mini fix bolt. You then turn the mini fix housing so it tightens over the mini fix bolt.



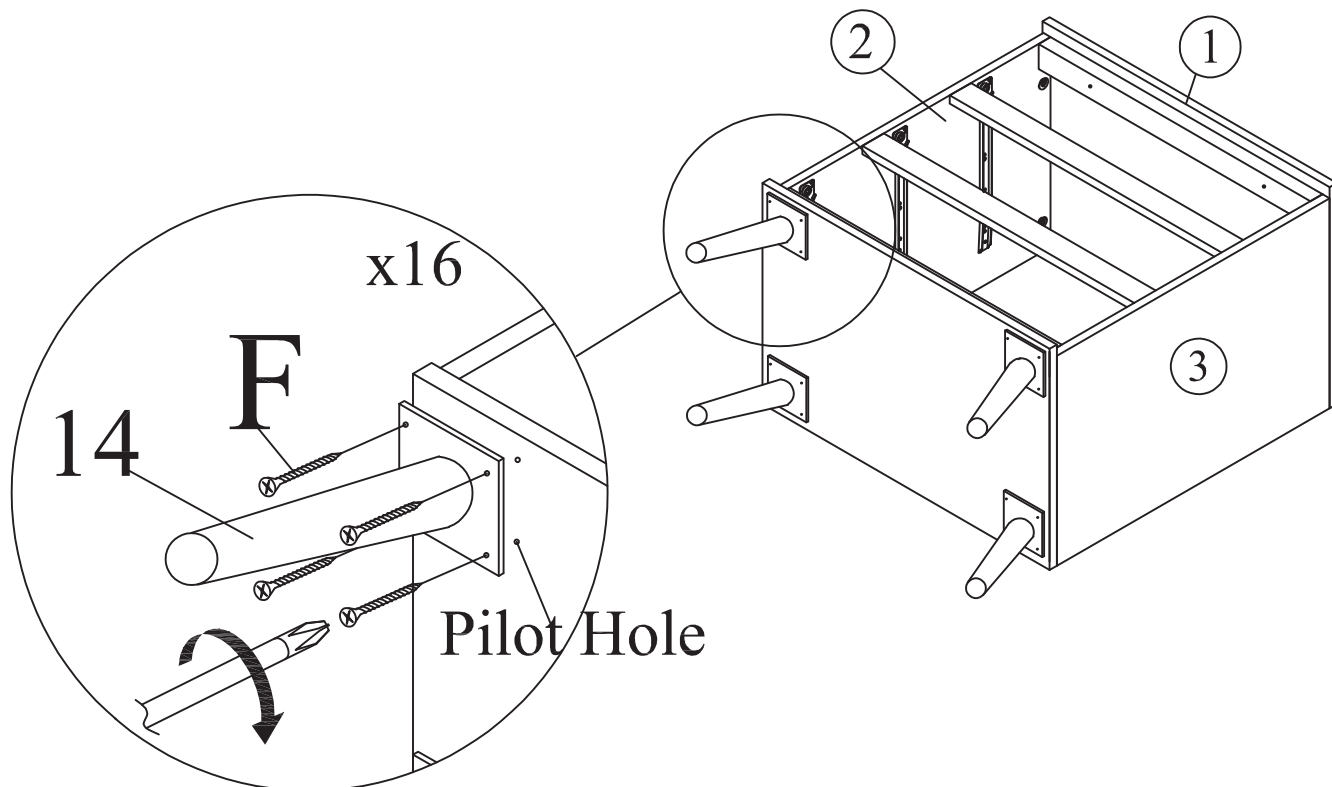
Step 8



Step 9

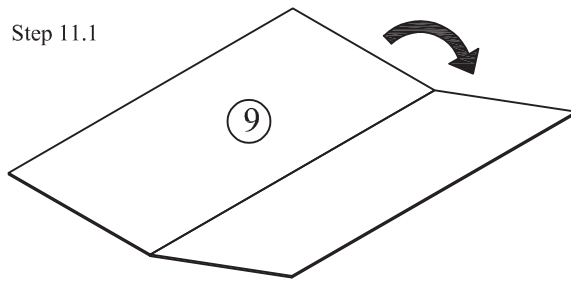


Step 10

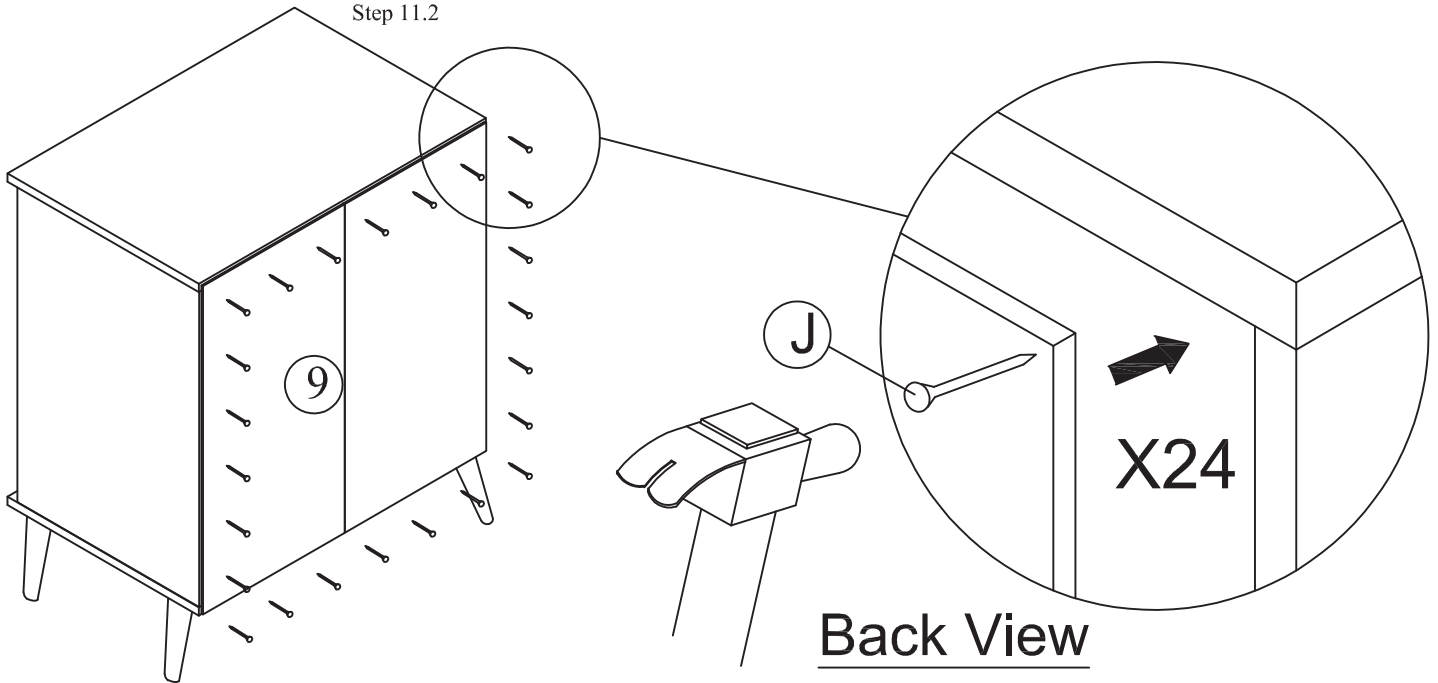


Step 11

Step 11.1



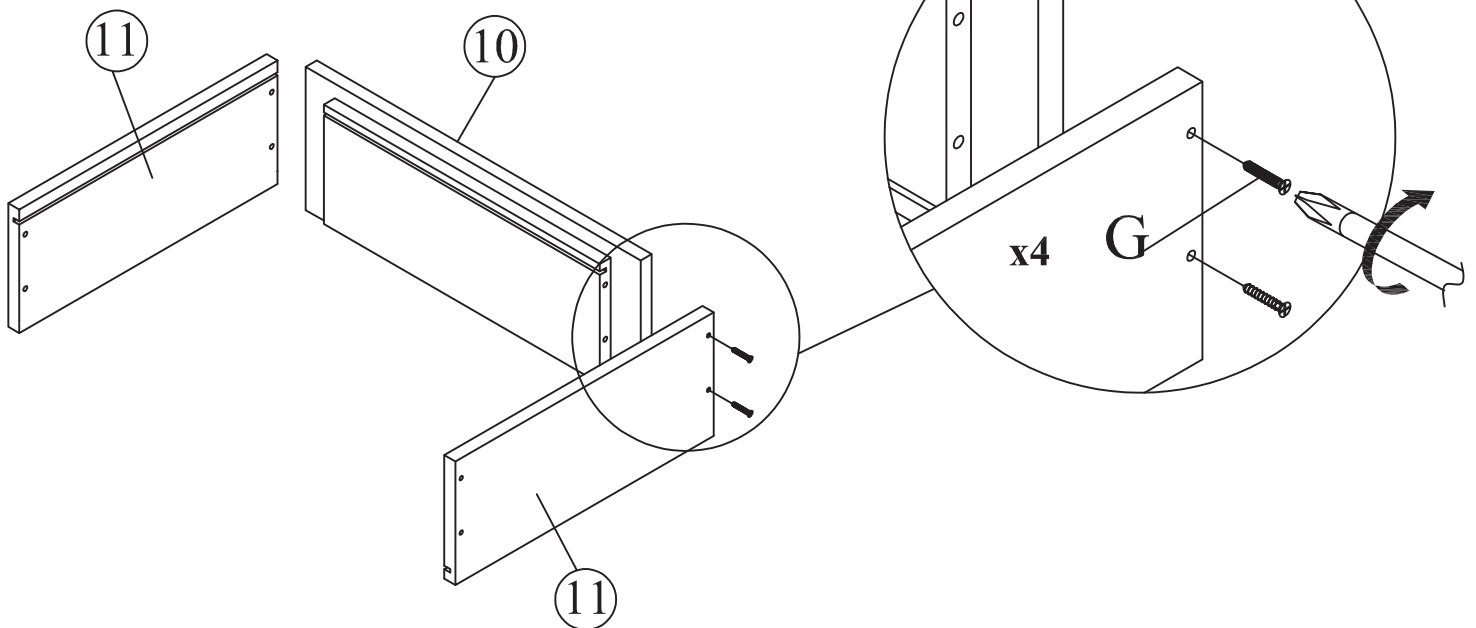
Step 11.2



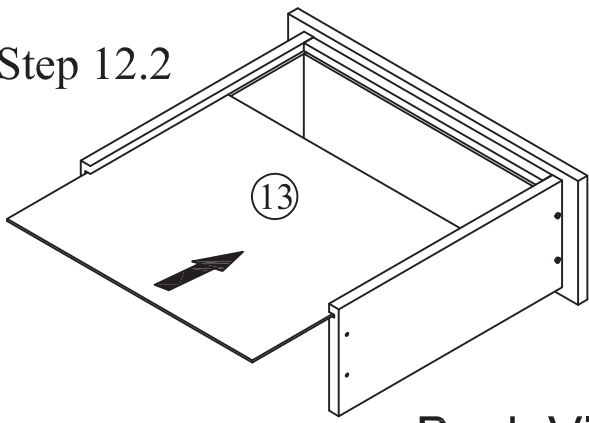
Step 12

x3

Step 12.1



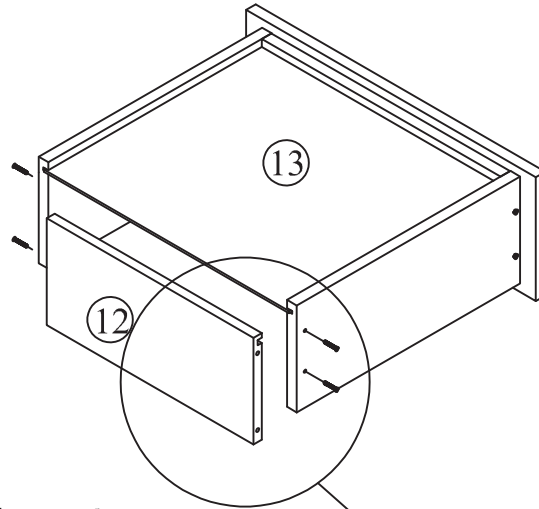
Step 12.2



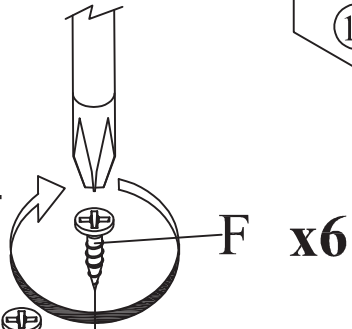
Back View

x3

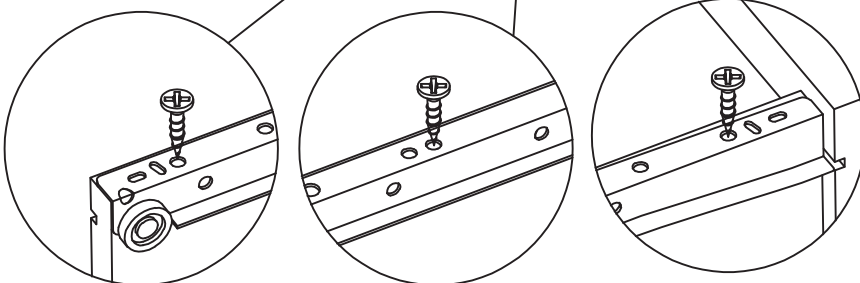
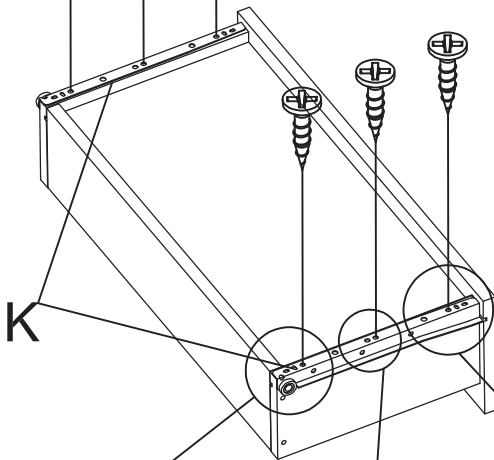
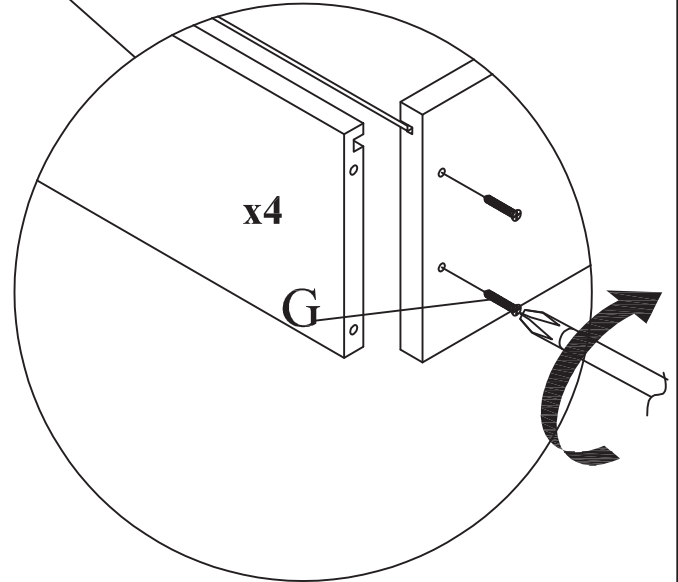
Step 12.3



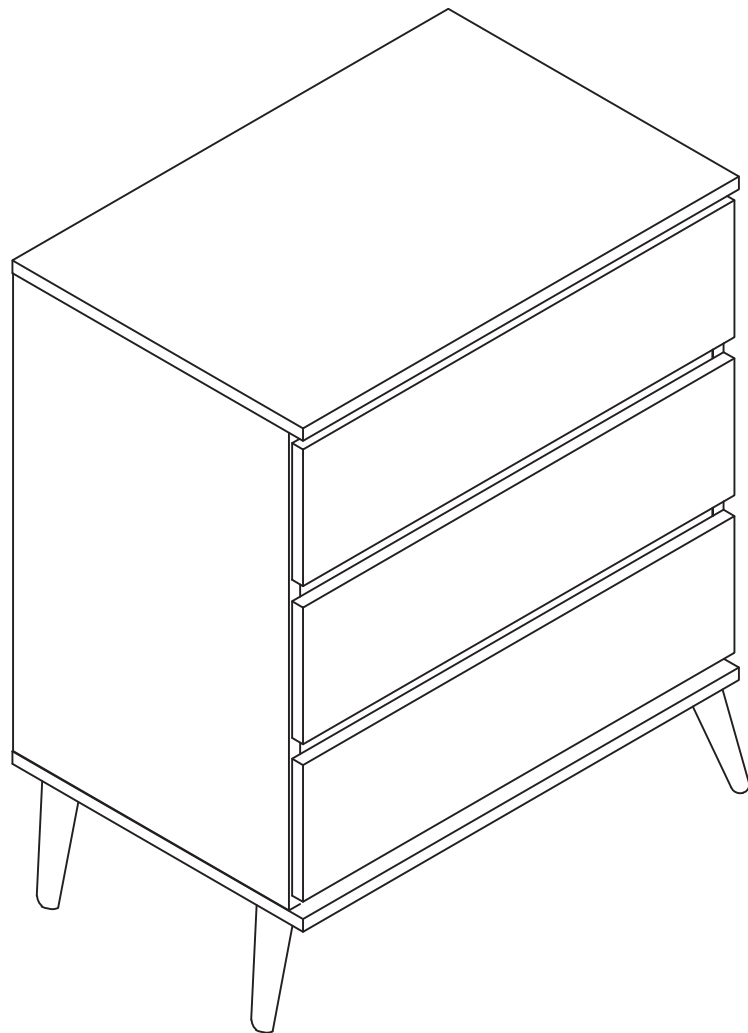
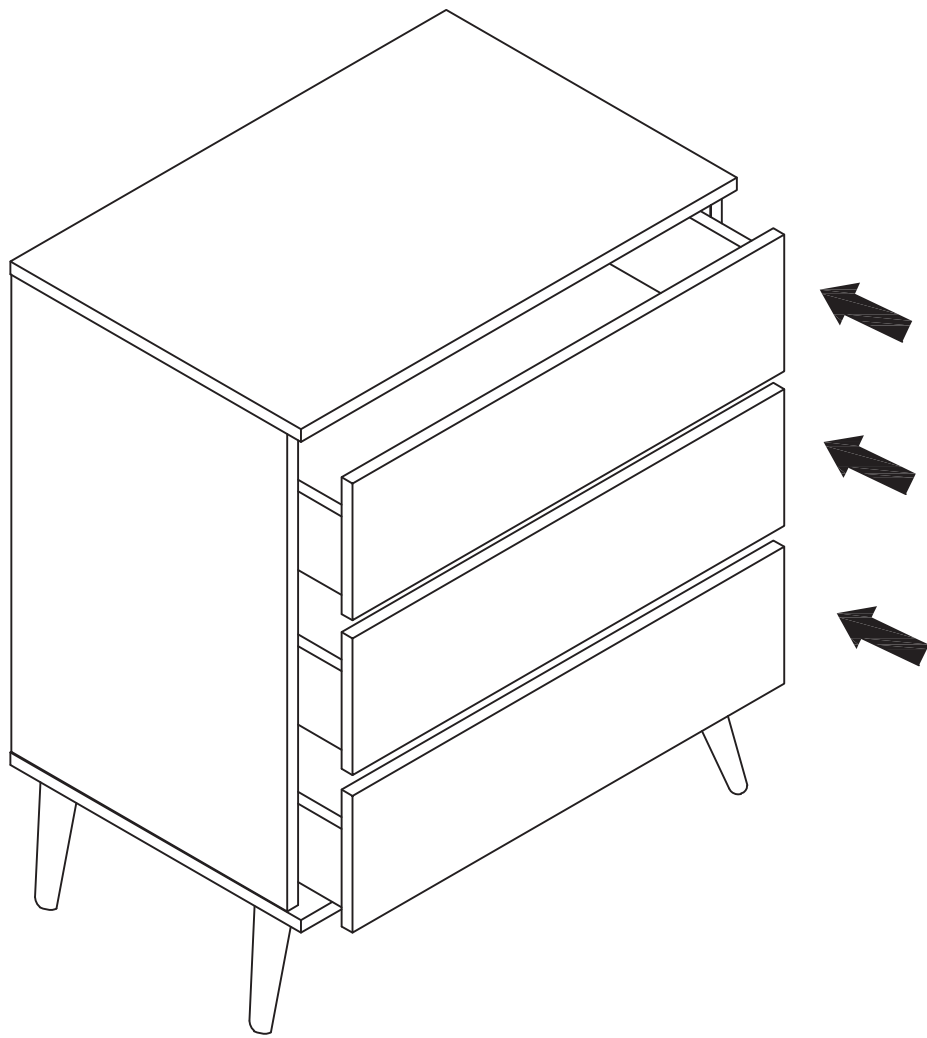
Step 12.4



Back View



Step 13



Anti -
Tipping

(A)



CSK Screw
M3.5x16mm
1PC

(B)



CSK Screw
M4x50mm
1PC

(C)



L BRACKET
2PCS

(D)



CABLE TIE
1PC

