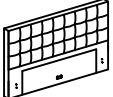
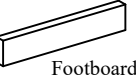


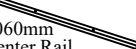

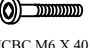
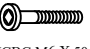





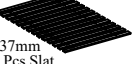

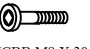
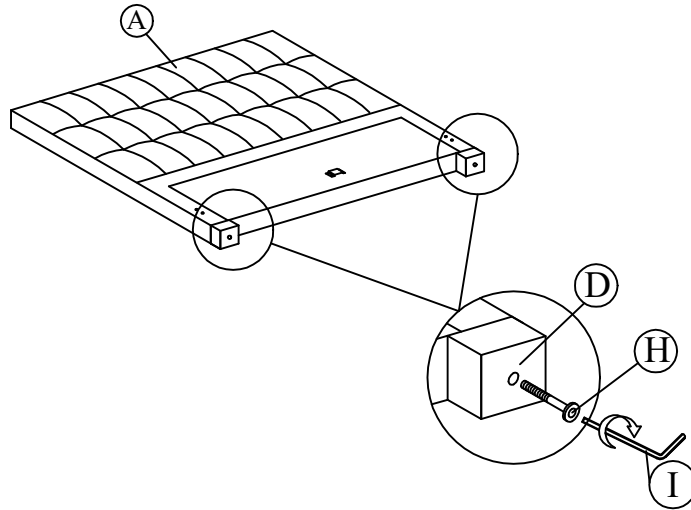


# ASSEMBLY INSTRUCTION

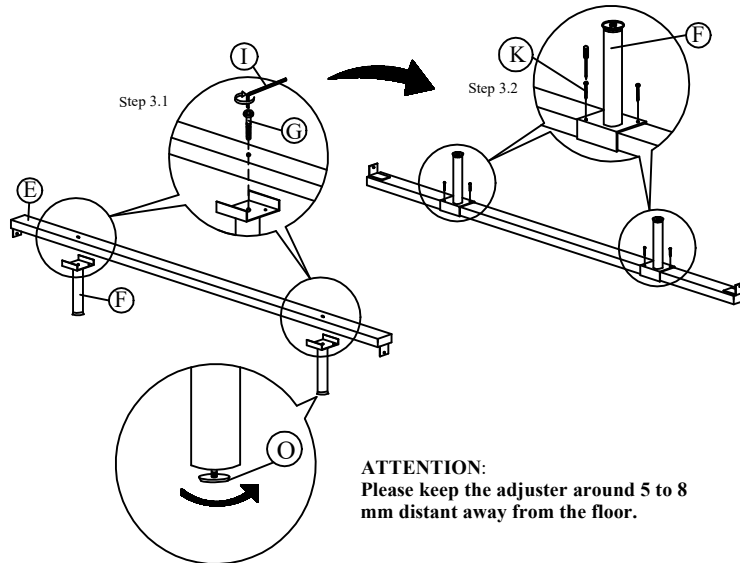
MODEL : CF 9457 (5')

A		1 pc
B		1 pc
C		2 pcs
D		2 pcs
E		1 pc
F		2 pcs
G		2 pcs
H		2 pcs
I		1 pc
J		1 pc
K		4 pcs
L		2 pcs
M		31 pcs
N		1 pc
O		2 pcs
P		8 pcs

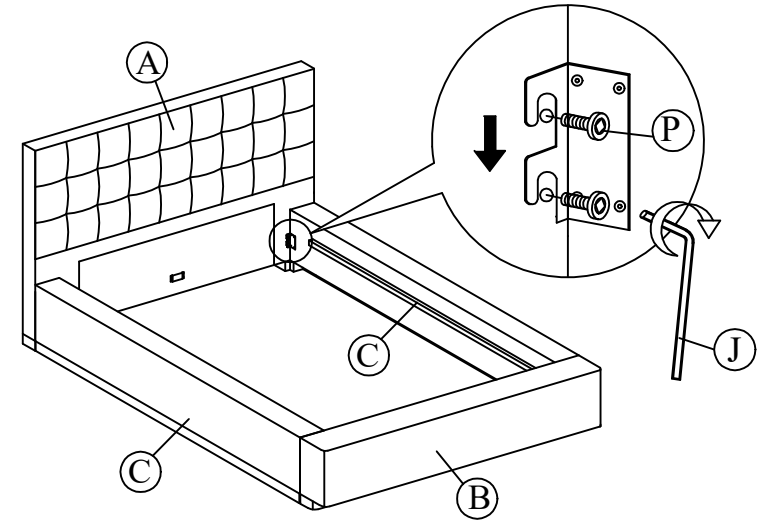
Step 1 : Tighten the legs (D) to both headboard (A) as shown.



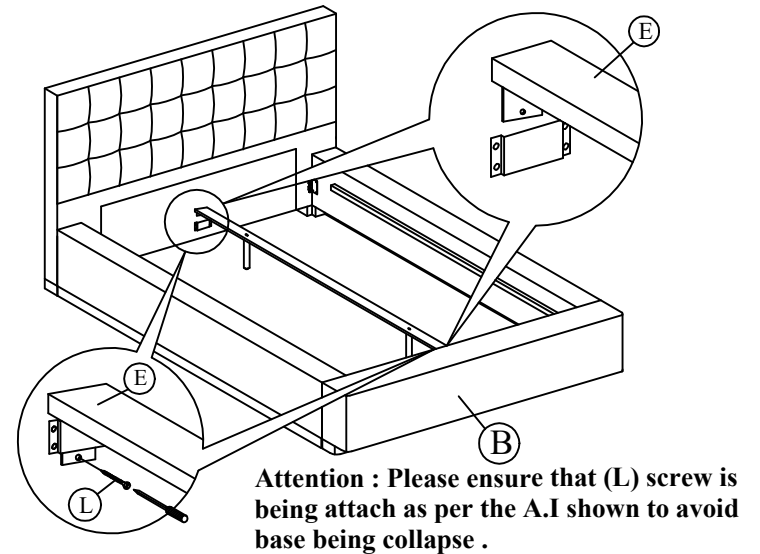
Step 3 : Attach the support legs (F) to the center rail (E) of the bed as shown.



Step 2 : Attach side rail (C) to footboard (B) and headboard (A) by pushing the bracket down to fit it.



Step 4 : Slide the center rail (E) to the headboard (A) and footboard (B). Tighten screws (L) using screw driver (not included) to the headboard (A) and footboard (B).



Step 5 : Affix the Slat (N) to the side rail support wood and the center rail (E). Tighten all the 4 corner.

