
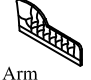

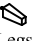

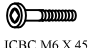

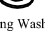


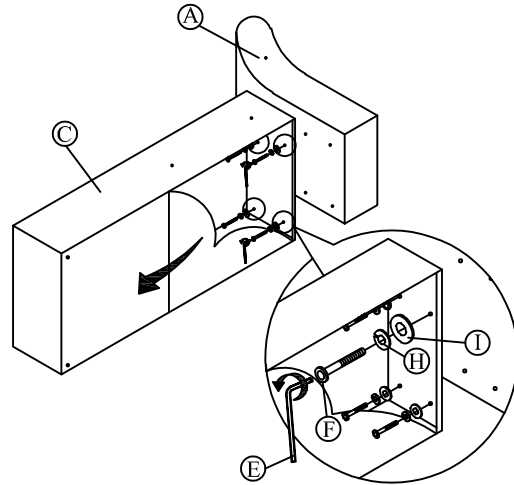


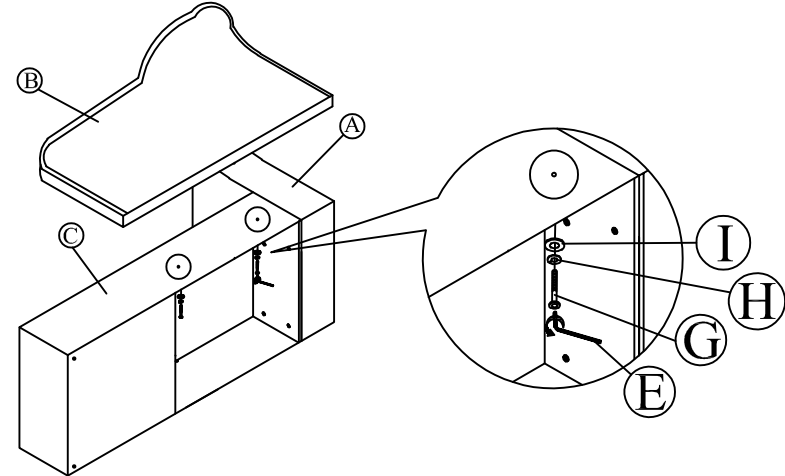
ASSEMBLY INSTRUCTION

A		1 pc
B		1 pc
C		1 pc
D		4 pcs
E		1 pc
F		5 pcs
G		2 pcs
H		7 pcs
I		7 pcs
J		4 pcs

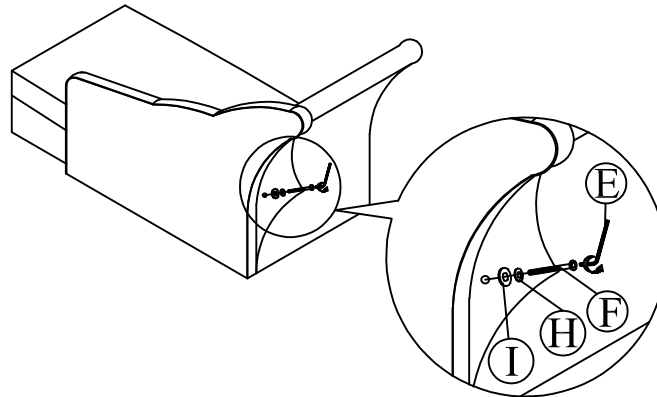
Step 1 : Attach the sitter (C) to the back panel (A) .



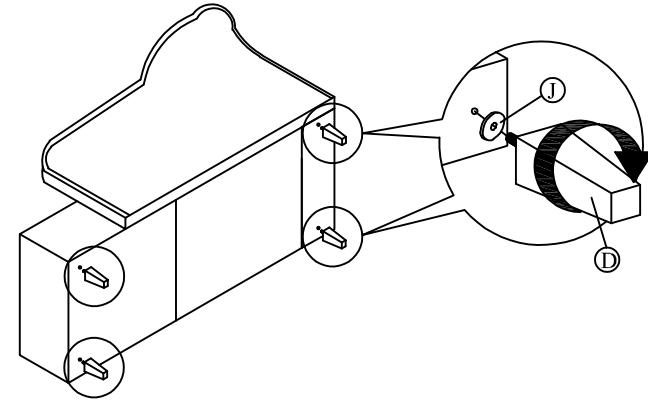
Step 2 : Attach the arm (B) to the sitter (C) .



Step 2 : Attach the arm (B) to the back panel (A) .



Step 4 : Install the legs (D) to sitter (C) and side wing (B).



Step 5 : Assembly complete.

