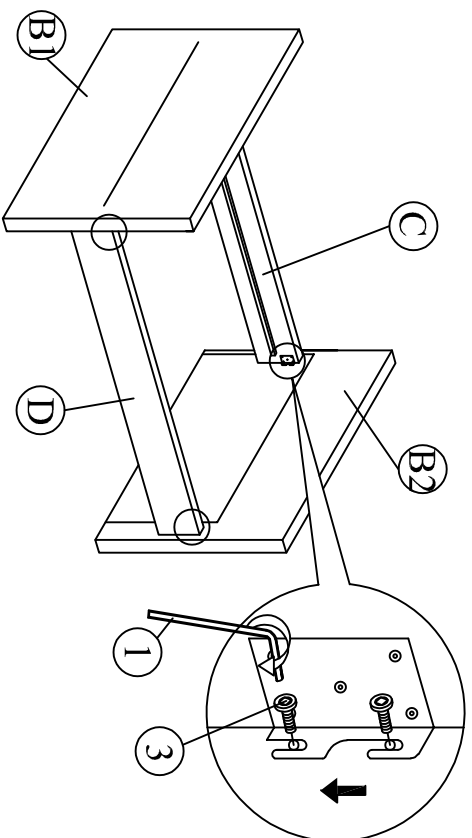


# ASSEMBLY INSTRUCTION

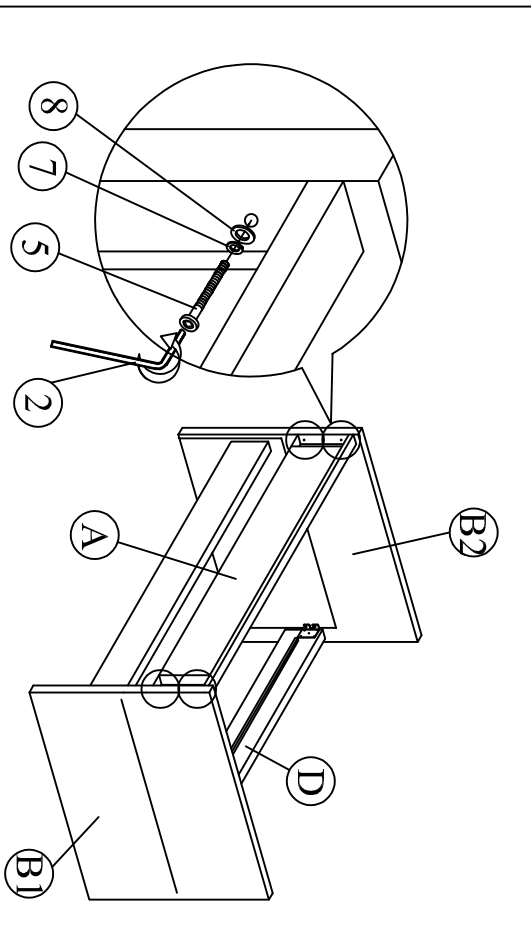
MODEL : CF 9382-A (3)

Step 1 : Attach side rail (C) & (D) to arm (B) by pushing the bracket down to fit it.

A	Back Panel	1 pc
B	Arm B1 B2	2 pcs
C	Side Rail Back Panel	1 pc
D	Side Rail Front Panel	1 pc
E	90° <sup>7mm</sup> Upper Slat 13 Pcs 90° <sup>7mm</sup> Lower Slat 13 Pcs	1 pc
F	90° <sup>7mm</sup> Bedside Slat 13 Pcs	1 pc
G	Trundle Front Panel	1 pc

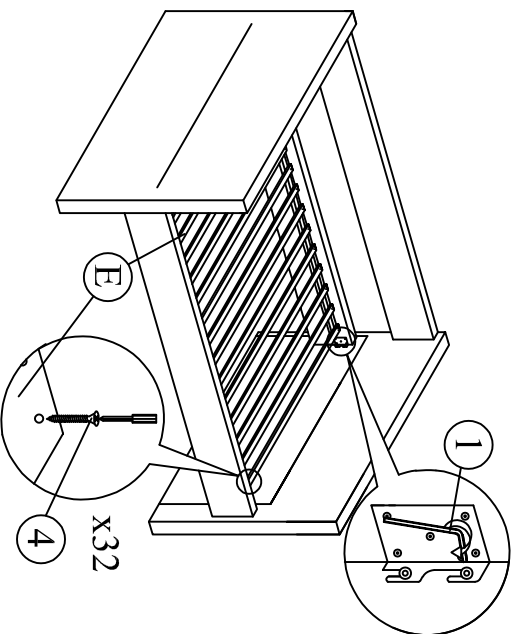


Step 2 : Attach the Back Panel (A) to the arm (B) as shown.

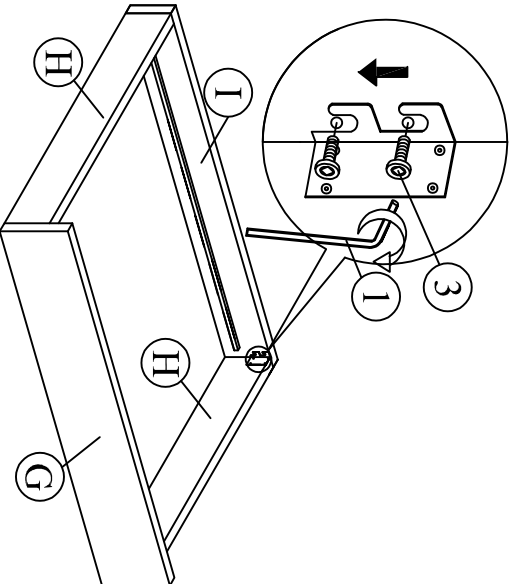


Step 3 : Tighten the 4 Corner with Allen Key (1). Install the slats to side rail. Tighten the slats (E) with CSK screw (4). The distance of the slats should be sufficient to obtain desirable bed stability.

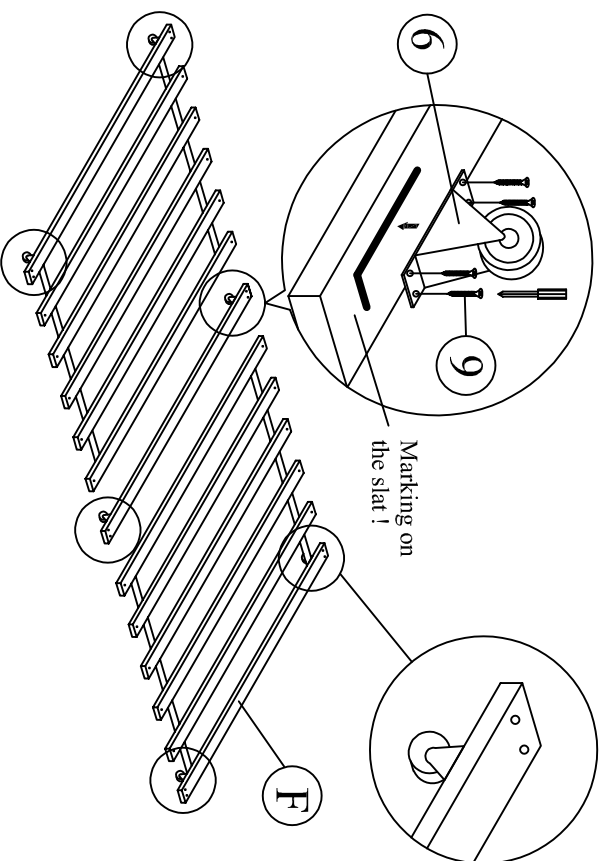
H	Trundle Side	2 pcs
I	Trundle Back Panel	1 pc
J	Wooden Block	4 pcs
Packing Hardware		
1	M5 x 70mm	1 pc
2	M4 x 65mm	1 pc
3	JCB3 M8 X 20	16 pcs
4	CSK M4 x 32mm	64 pcs
5	JCB3 M6 X 60	4 pcs
6	Roller	6 pcs
7	Spring Washers	4 pcs
8	M6 Flat Washers	4 pcs
9	CSK M3.5 x 16mm	24 pcs



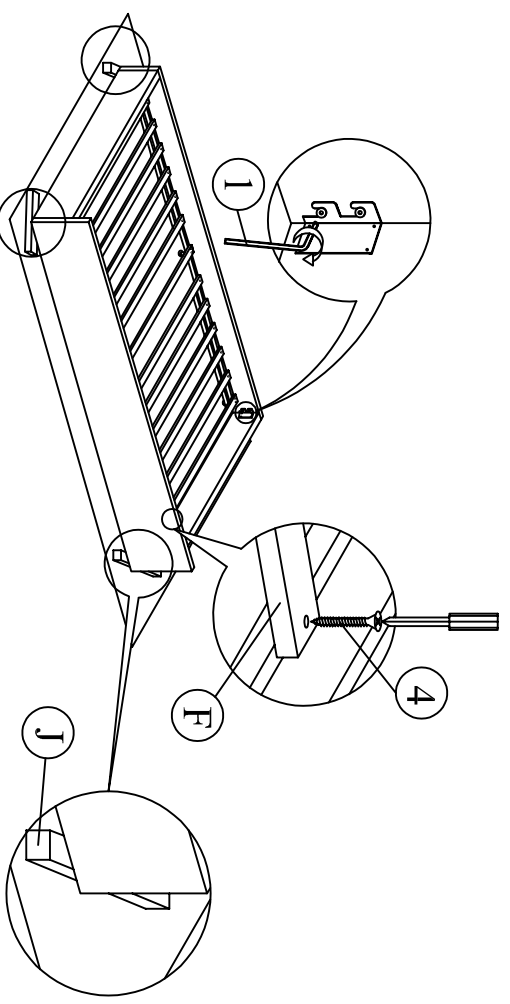
Step 4 : Attach trundle side panel (H) and trundle front panel (G) to trundle back panel (I) by pushing the bracket down to fit it.



Step 5 : Affix the roller (6) to the slat (F) follow the marking on the slat (F).



Step 6 : Tighten the 4 Corner with Allen Key (1) . Place the wooden blocks (J) at the corner of the trundle and fix the slat (F) to the trundle at (G) & (I).



Step 7 : Assembly is complete.

