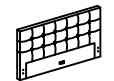
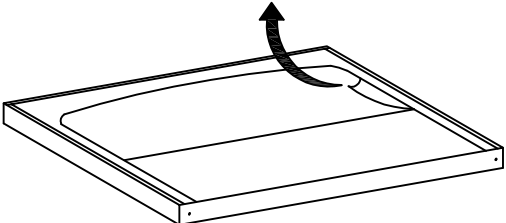
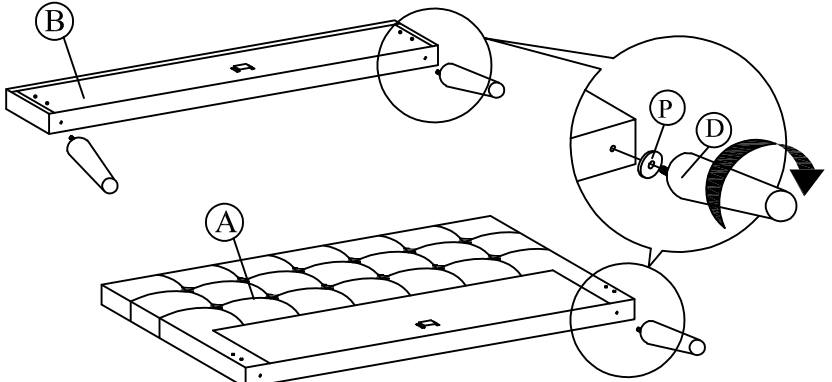
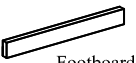

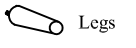

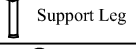
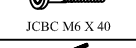
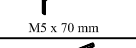
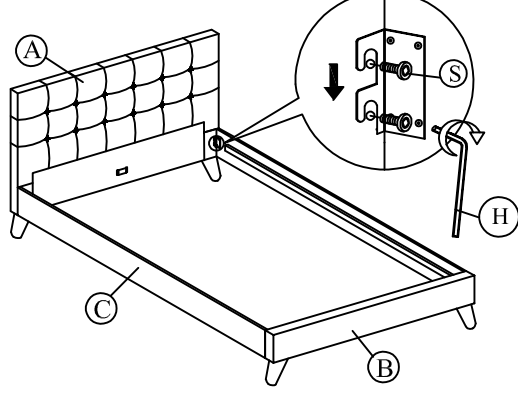
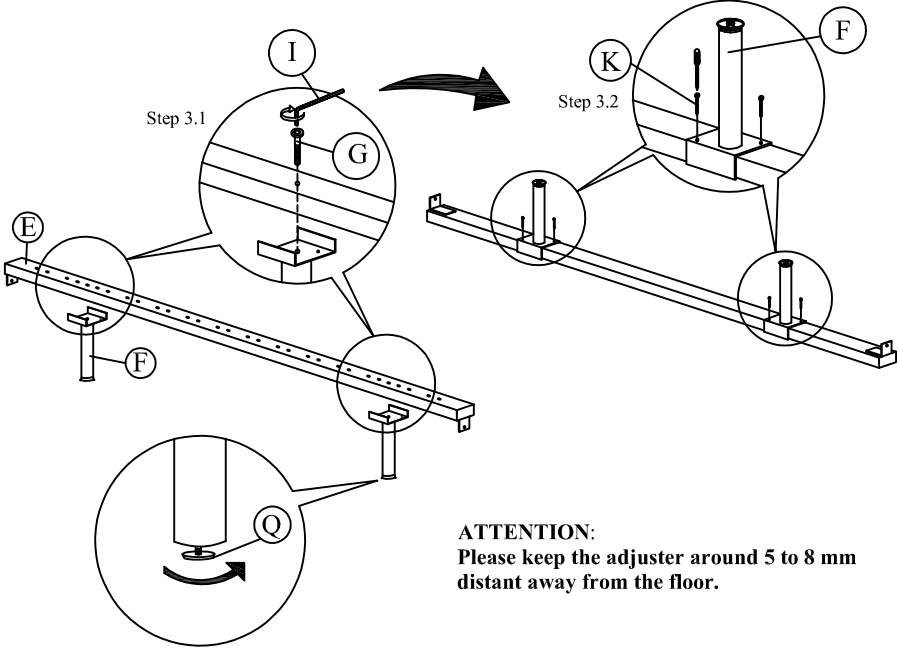
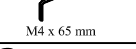
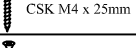
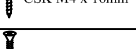








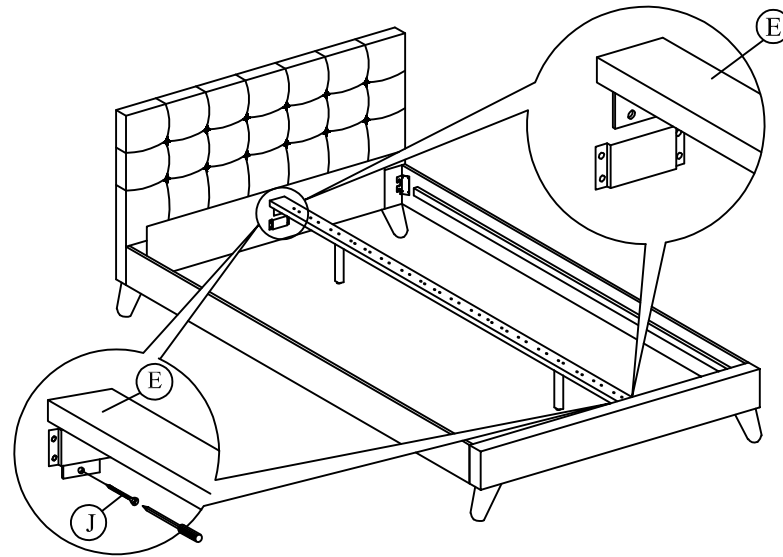


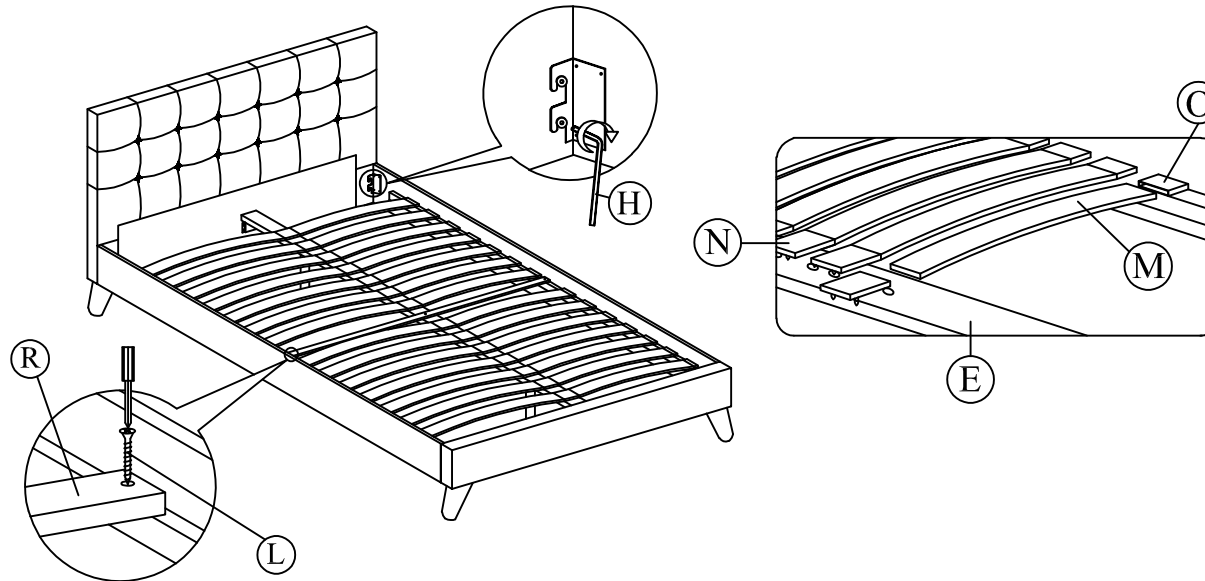
# ASSEMBLY INSTRUCTION

			Step 1: Unzip the black non-woven fabric on the back of headboard and take out the night stand out.	Step 2 : Install the legs (D) to footboard (B) and headboard (A). Tighten the legs.
A	 Headboard	1 pc	  <b>Attention : Zip the black non-woven fabric after take out the night stand !!</b>  <u>BACK VIEW</u>	
B	 Footboard	1 pc		
C	 Side Rail	2 pcs		
D	 Legs	4 pcs		
E	 Center Rail	1 pc		
F	 Support Leg	2 pcs		
G	 JCBC M6 X 40	2 pcs		
H	 M5 x 70 mm	1 pc		<p>Step 2 : Attach side rail (C) to footboard (B) first follow by headboard (A) by pushing the bracket down to fit it.</p> <p>Step 4 : Attach the support legs (F) to the center rail (E) of the bed as shown.</p>  <p style="text-align: right;"><b>ATTENTION:</b> Please keep the adjuster around 5 to 8 mm distant away from the floor.</p>
I	 M4 x 65 mm	1 pc		
J	 CSK M4 x 25mm	2 pcs		
K	 CSK M4 x 16mm	4 pcs		
L	 CSK M4 x 32mm	3 pcs		
M	 Slat	28 pcs		
N	 Middle Holder	14 pcs		
O	 End Holder	28 pcs		
P	 NO 35 Washers	4 pcs		
Q	 Adjuster	2 pcs		
R	 Stiffener Slat (3 Holes)	1 pc		
S	 JCBB M8 X 20	8 pcs		

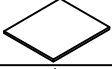
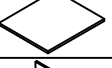




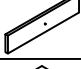




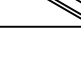
Step 5 : Slide the center rail (E) to the headboard (A) and footboard (B). Tighten screws (J) using screw driver (not included) to the headboard (A) and footboard (B).

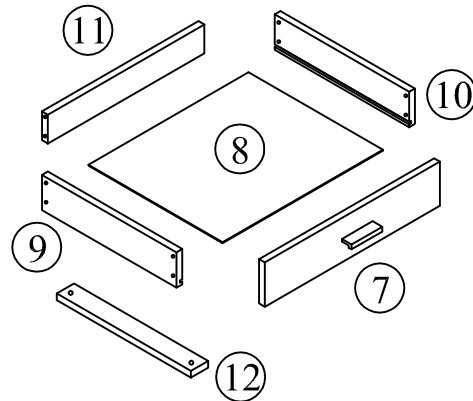
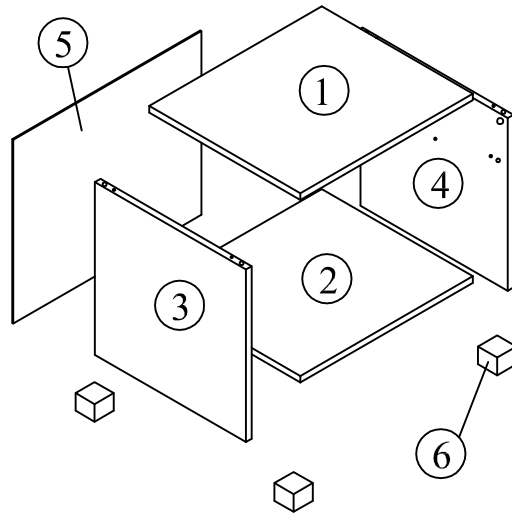
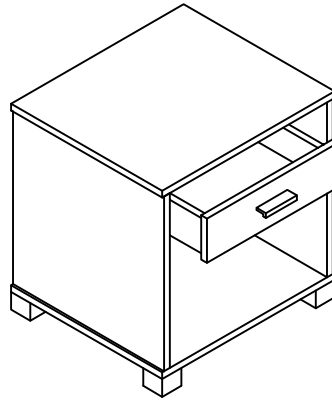




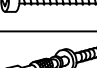


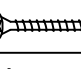

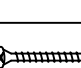
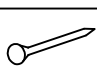
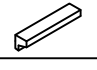

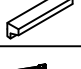
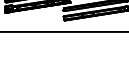
Step 6 : Affix the Stiffener Slat (R) to the side rail support wood and the center rail (E). Tighten all the 4 corner , follow by assembly of the slat holders with LVL slats as shown.



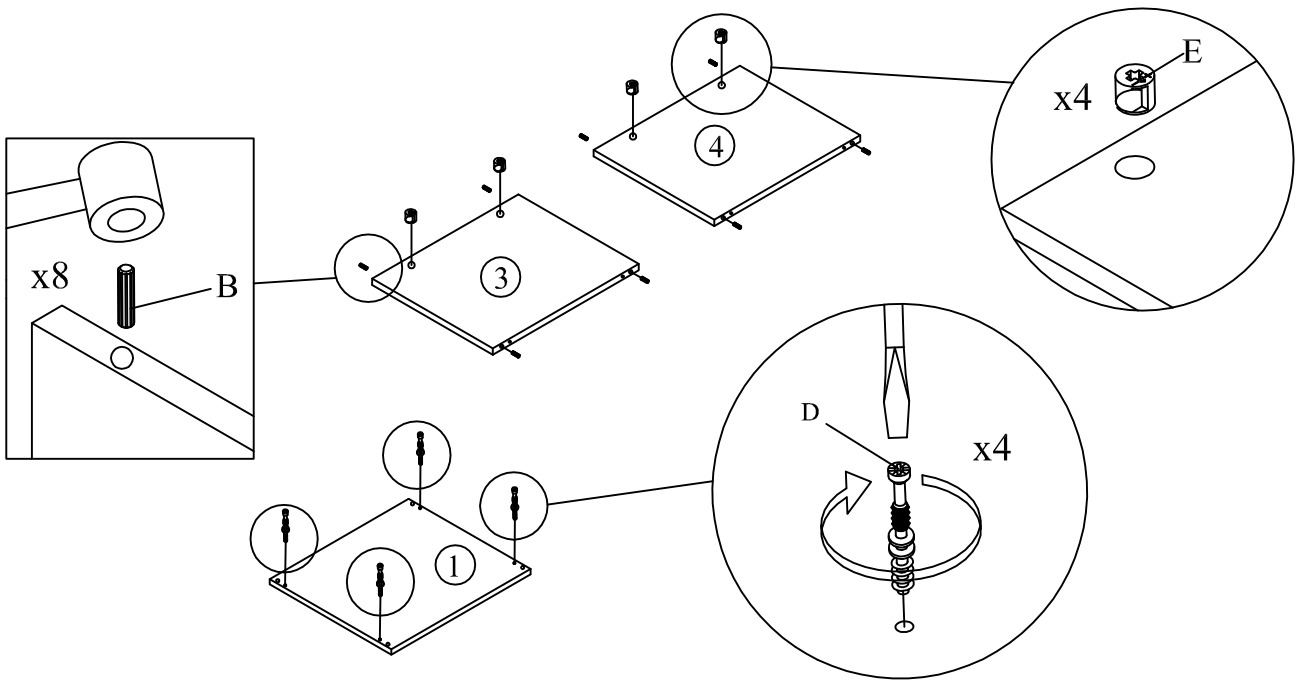
# Assembly Instructions

NO	PART	DESCRIPTION	QTY
1		Top Panel	1pc
2		Bottom Panel	1pc
3		Left Side Panel	1pc
4		Right Side Panel	1pc
5		Back Panel	1pc
6		Legs	4pcs
7		DR Front Panel	1pc
8		DR Middle Panel	1pc
9		DR Left Side Panel	1pc
10		DR Right Side Panel	1pc
11		DR Back Panel	1pc
12		DR Bottom Panel	1pc

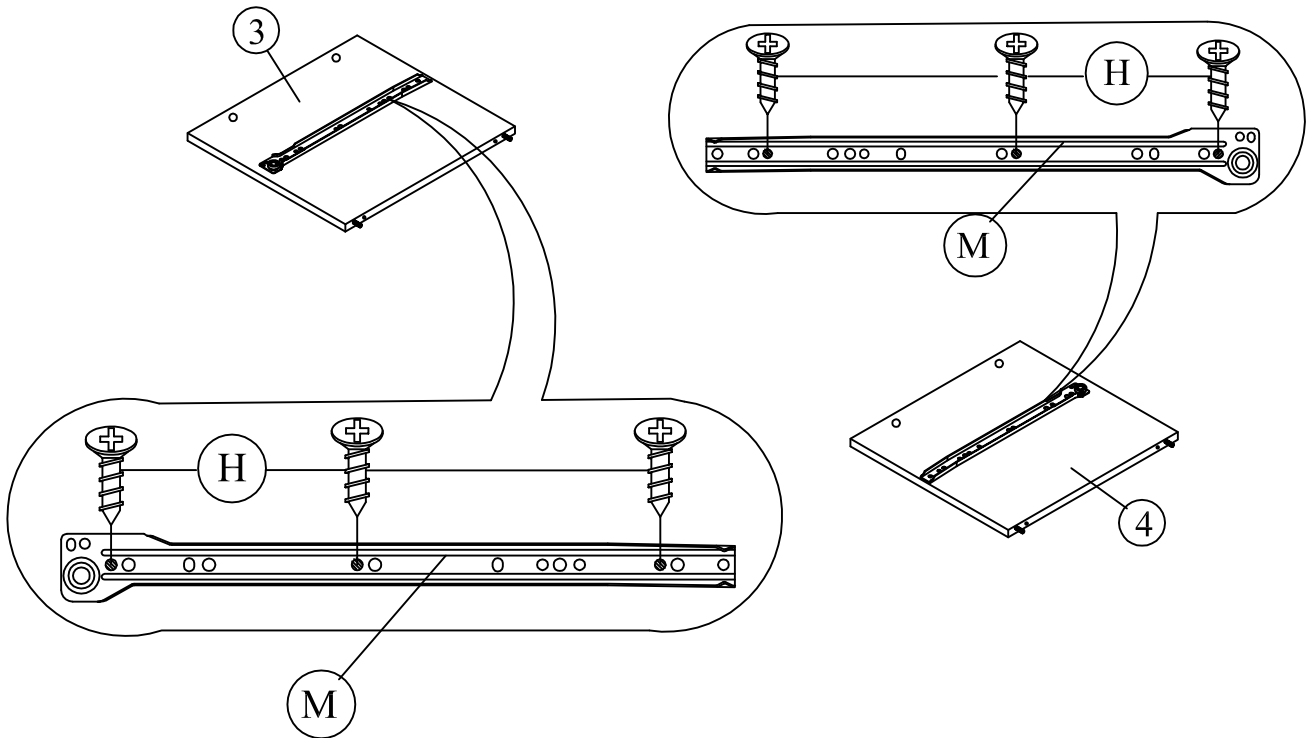


NO	HARDWARE	DESCRIPTION	QTY
A		Allen Key M4	1pcs
B		Wood Dowel	8pcs
C		JCBC W Screw M6x40	4pcs
D		Mini Fix Bolt	4pcs
E		Mini Fix Housing	4pcs
F		Mini Fix Cap	4pcs
G		CSK Screw M4x30mm	10pcs
H		CSK Screw M3.5x16mm	12pcs
I		CSK Screw M4x50mm	8pcs
J		Handle Screw M4x35mm	2pcs
K		Power Nail 5/8	28pcs
L		Handle	1pcs
M		14" Drawer Slide	1set

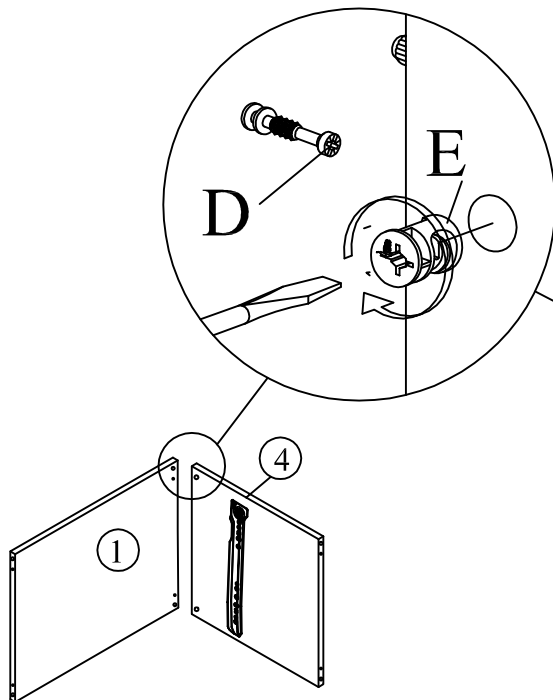
STEP 1 :



STEP 2 :

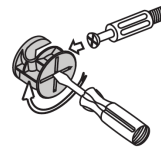


STEP 3 :

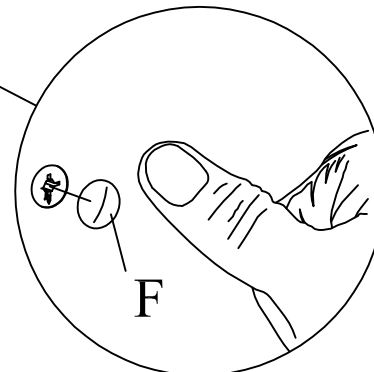


*\*Without edging/veneer facing downward*

This is how a mini fix works...

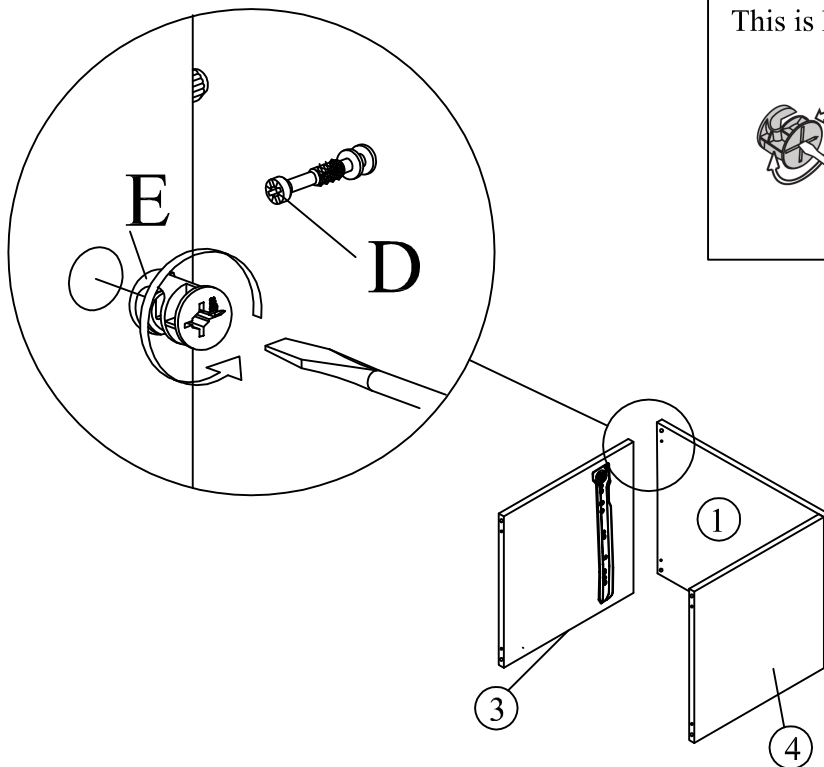


The head of the mini fix housing goes into the open mouth of the mini fix bolt. You then turn the mini fix housing so it tightens over the mini fix bolt.



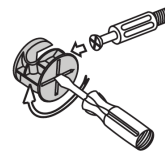
*\*Attach Minifix Cap as shown.*

STEP 4 :

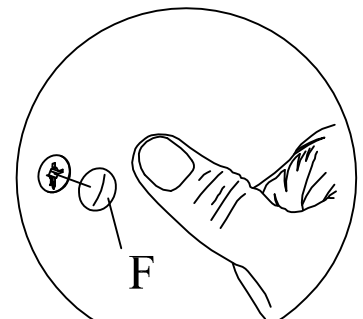


*\*Without edging/veneer facing downward*

This is how a mini fix works...

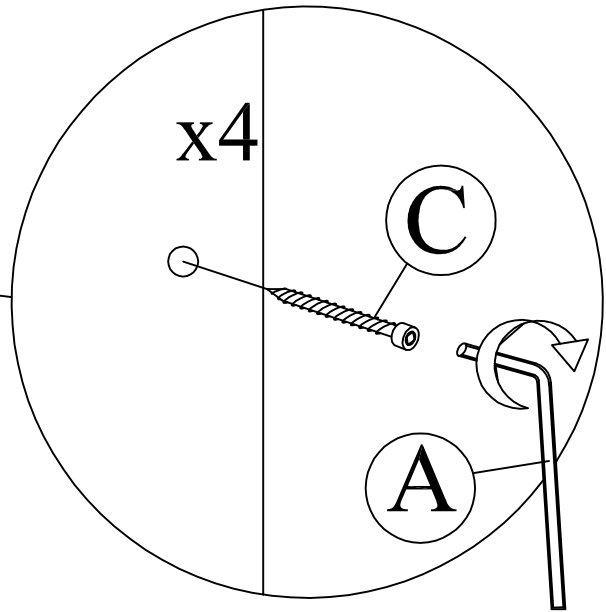
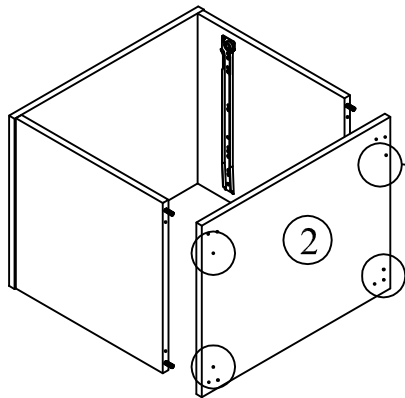


The head of the mini fix housing goes into the open mouth of the mini fix bolt. You then turn the mini fix housing so it tightens over the mini fix bolt.



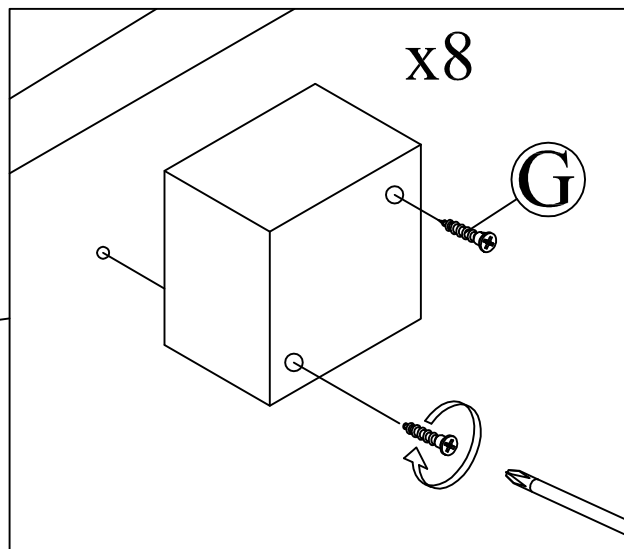
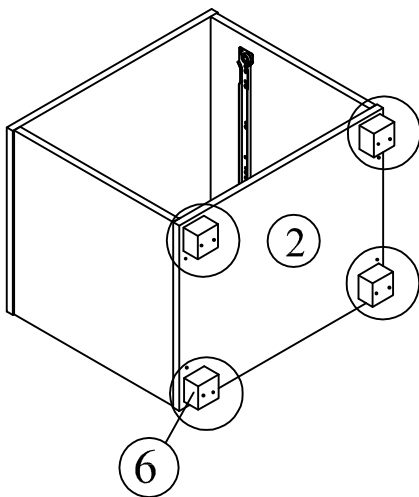
*\*Attach Minifix Cap as shown.*

STEP 5 :



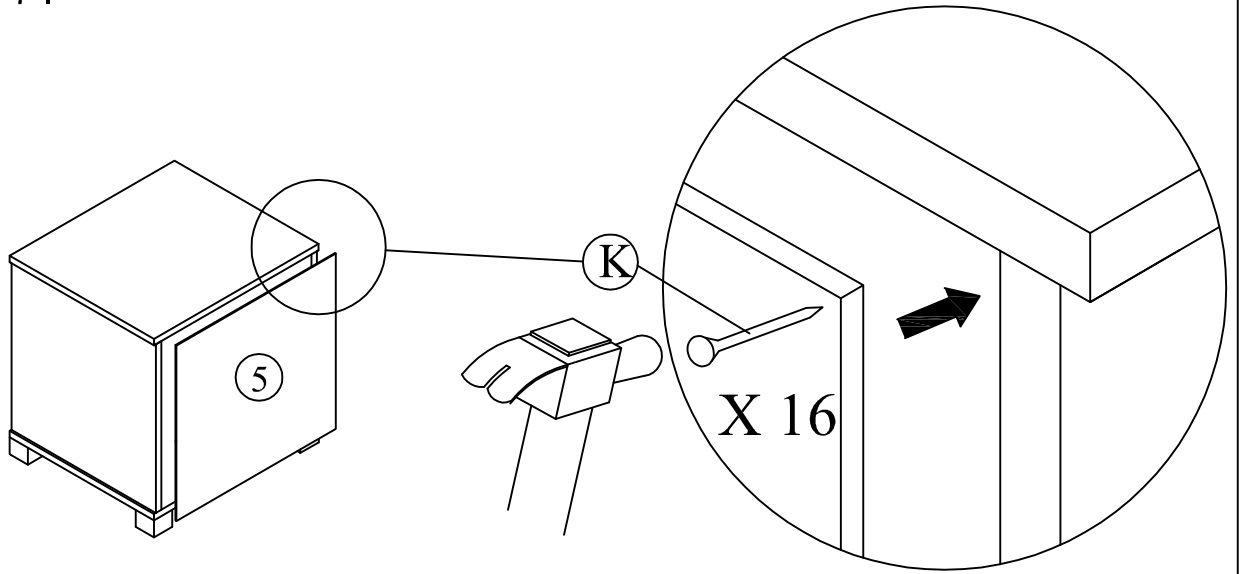
*\*Without edging/veneer facing downward*

STEP 6 :



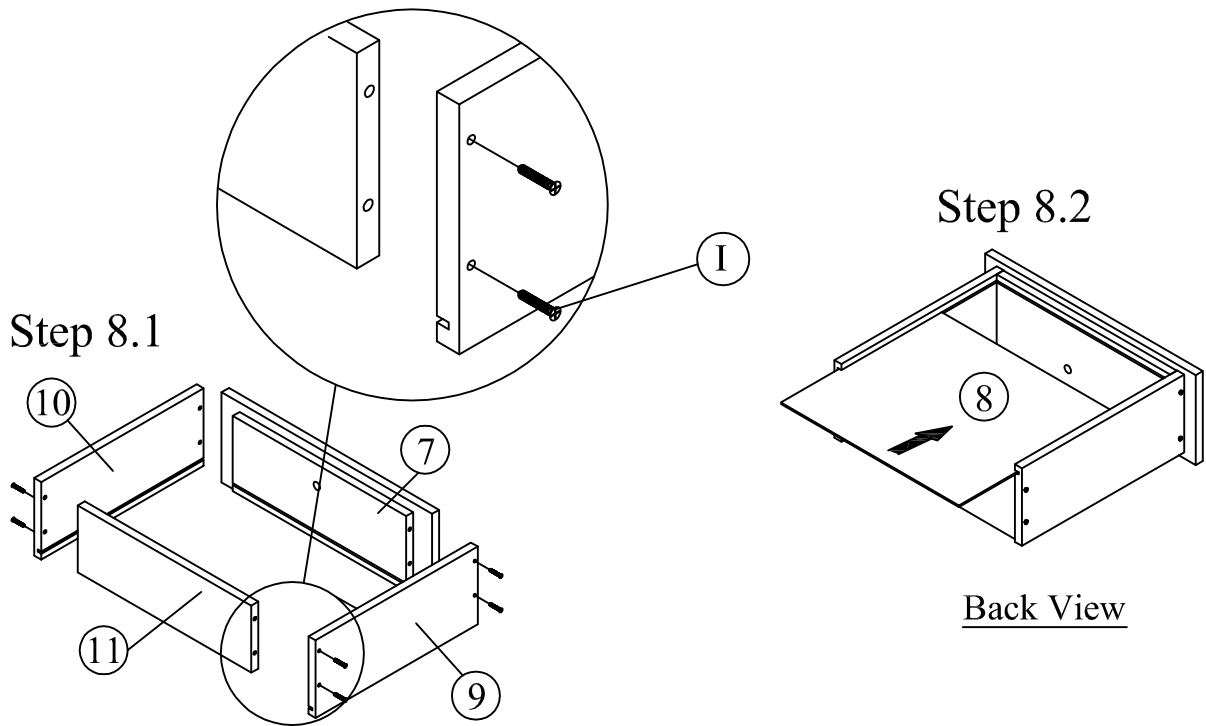
*\*Without edging/veneer facing downward*

STEP 7 :



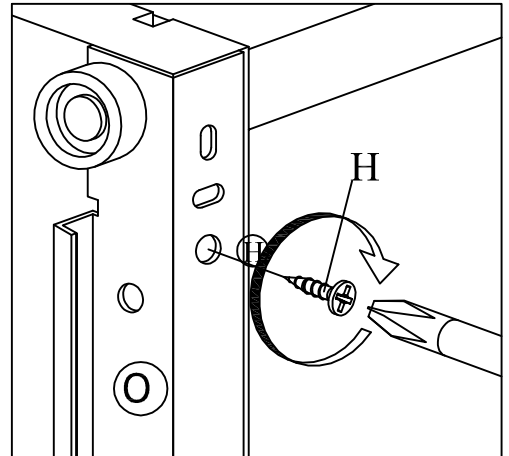
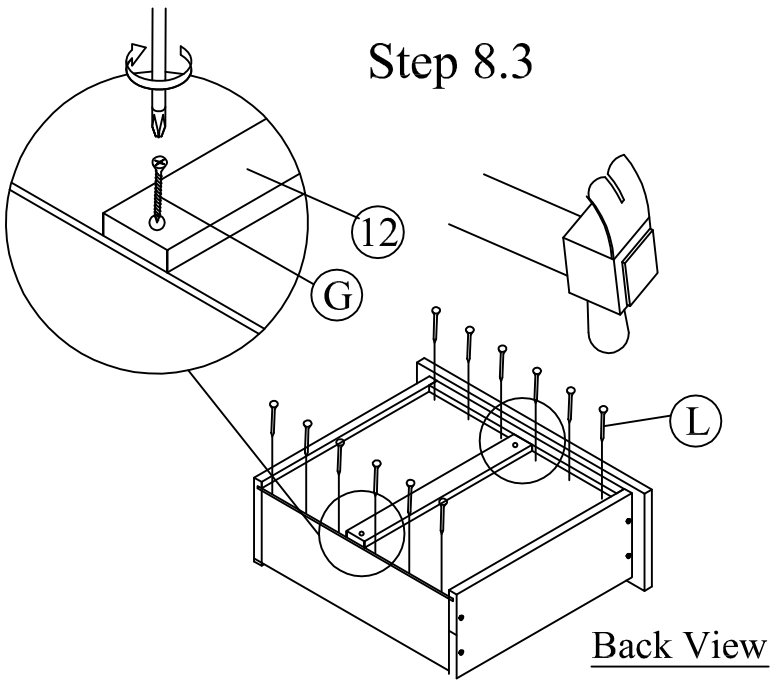
BACK VIEW

STEP 8 :



Back View

STEP 8 :



Step 8.4

