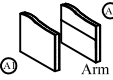
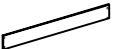
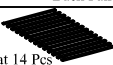



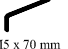


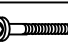


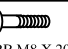
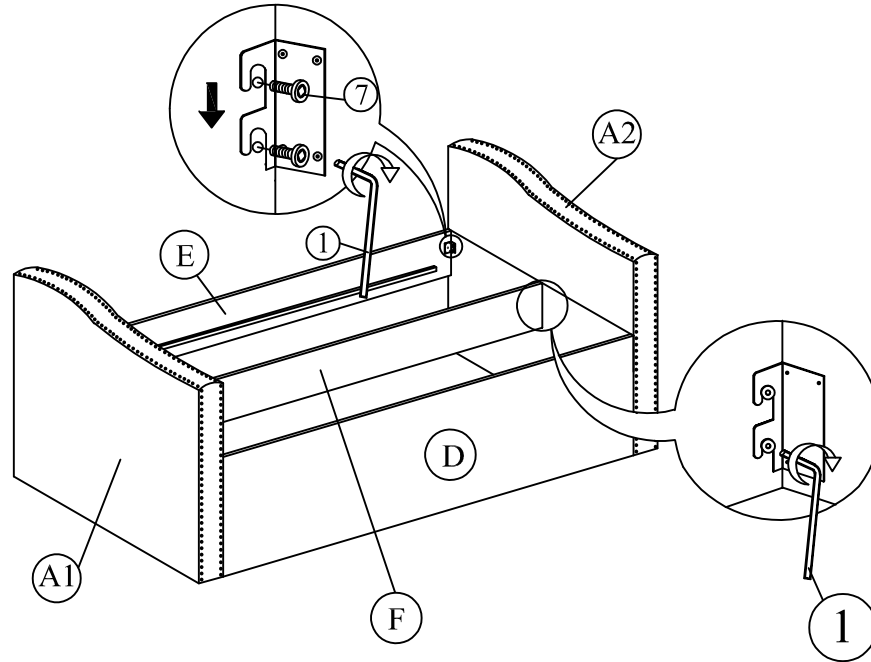


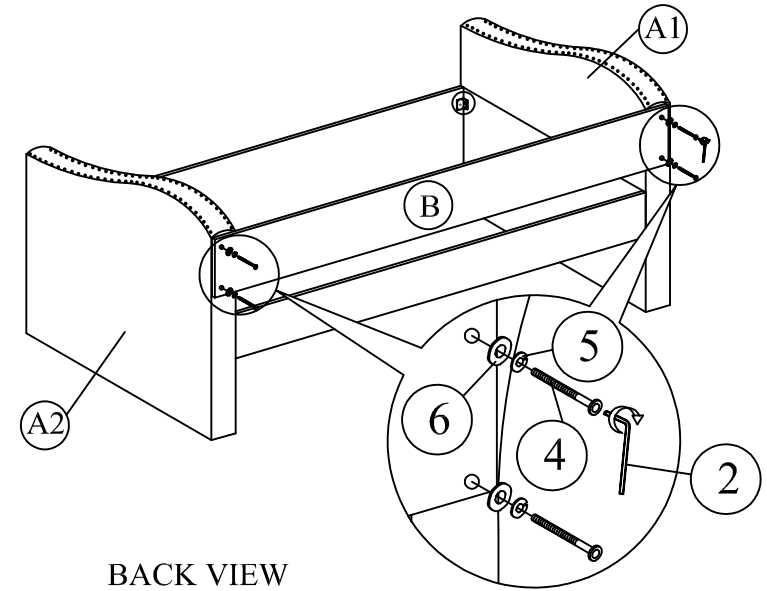
# ASSEMBLY INSTRUCTION

A		2 pcs
B		1 pc
C		1 pc
D		1 pc
E		1 pc
F		1 pc
Packing Hardware		
1		1 pc
	M5 x 70 mm	
2		1 pc
	M5 x 65 mm	
3		28 pcs
	CSK M4 x 32mm	
4		4 pcs
	JCBC M6 X 50	
5		4 pcs
	SPRING WASHER	
6		4 pcs
	FLAT WASHER	
7		16 pcs
	JCBB M8 X 20	

Step 1 : Attach side rail (D) & (E) to arm (A) by pushing the bracket down to fit it.

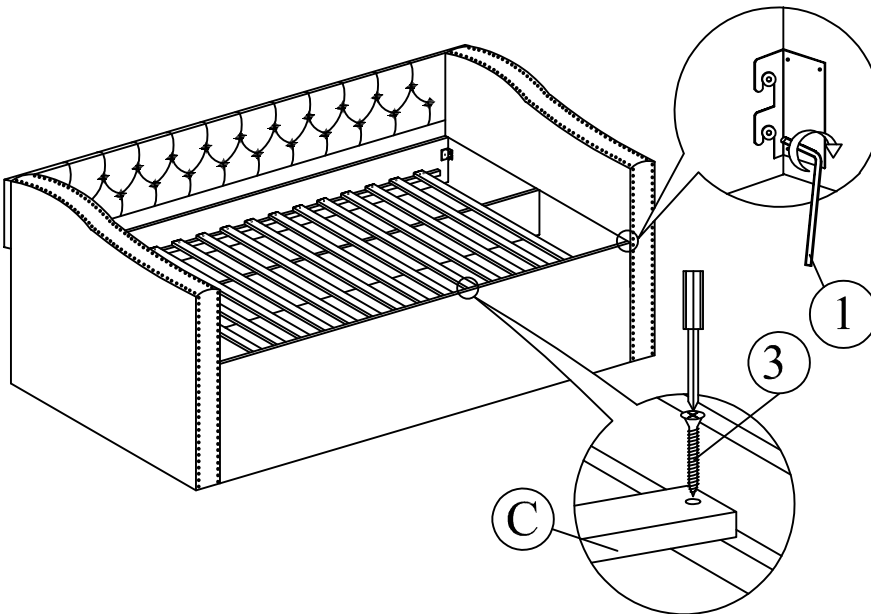


Step 2 : Attach the Back Panel (B) to the arm (A) as shown.



BACK VIEW

Step 3 : Tighten the 4 Corner with Allen Key (1). Install the slats to side rail. Tighten the slats with CSK screw (3). The distance of the slats should be sufficient to obtain desirable bed stability.



Step 4 : Assembly is complete.

