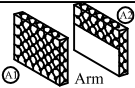
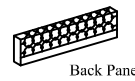
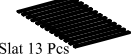





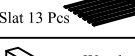
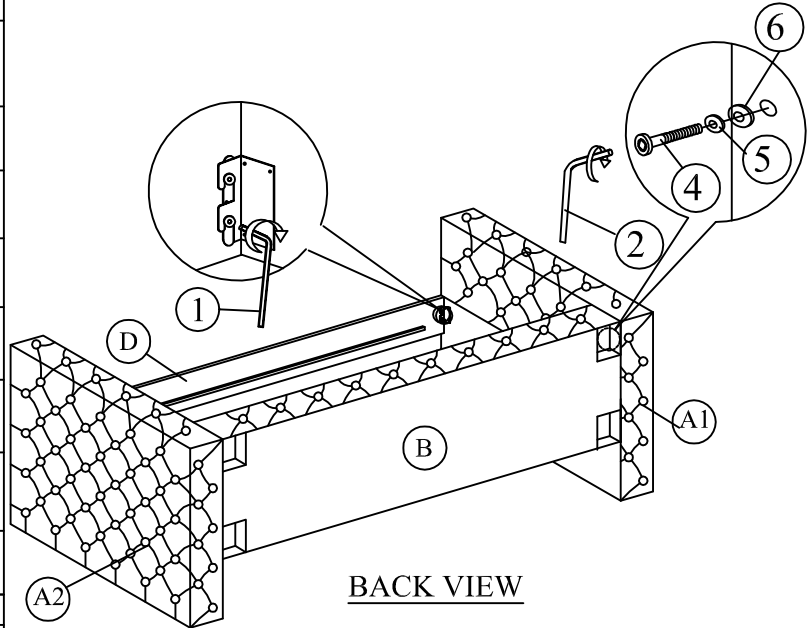


MODEL: CF 8987 (3')

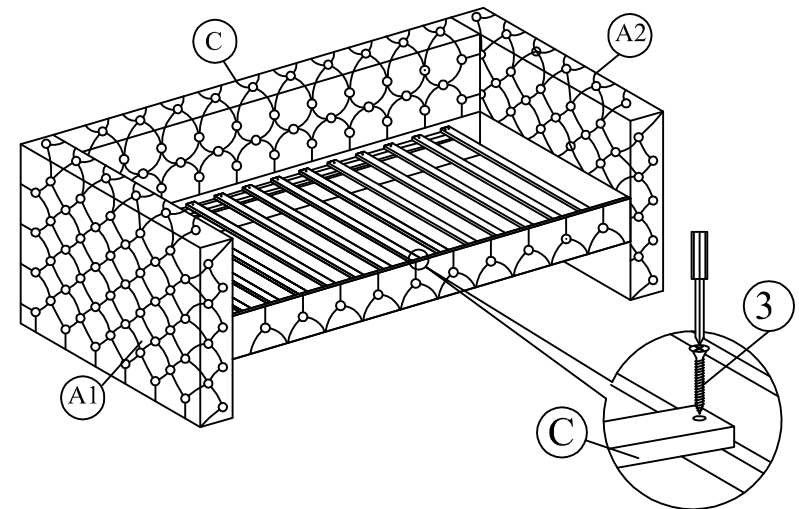
ASSEMBLY INSTRUCTION

A		1 pc
B		1 pc
C		1 pc
D		1 pc
E		1 pc
F		1 pc
G		2 pcs
H		1 pc
I		4 pcs



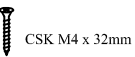



Step 1: Attach the back panel (B) to arm (A). Attach side rail (D) to arm (A) by pushing the bracket down to fit it. Tighten with Allen Key (1)



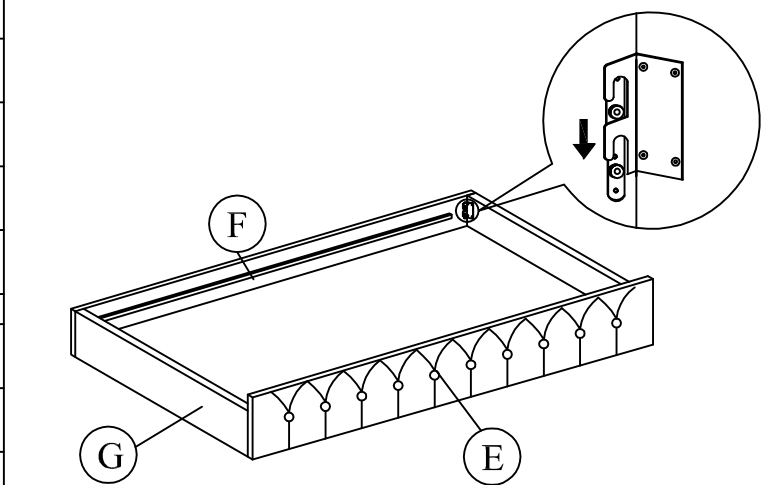
Step 2: Tighten the slats with CSK screw (3). The distance of the slats should be sufficient to obtain desirable bed stability.



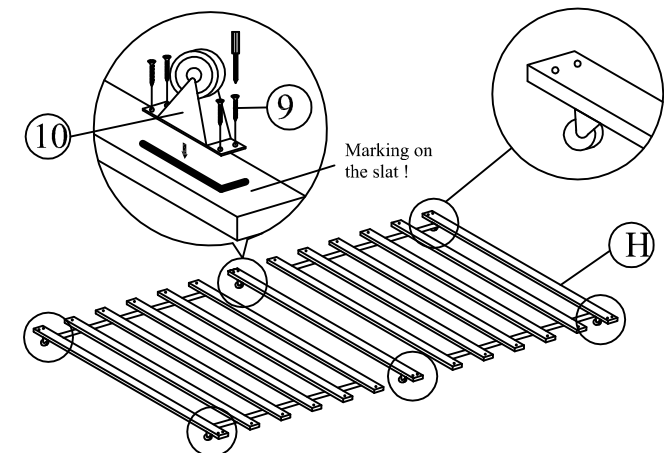
Packing Hardware (1)

1		1 pc
	M5 x 70 mm	
2		1 pc
	M5 x 65 mm	
3		32 pcs
	CSK M4 x 32mm	
4		4 pcs
	JCBC M6 X 50	
5		4 pcs
	SPRING WASHER	
6		4 pcs
	FLAT WASHER	


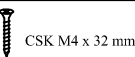
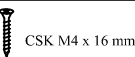

Step 3: Attach trundle side panel (G) and trundle front panel (E) to trundle back panel (F) by pushing the bracket down to fit it.



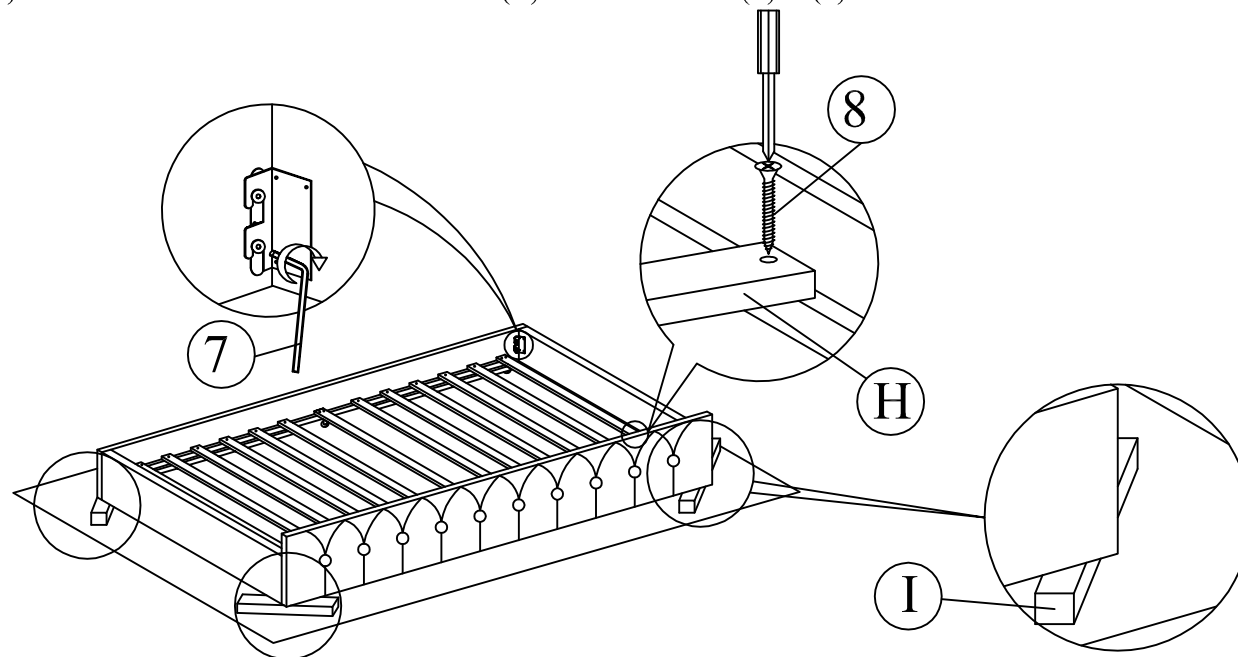
Step 4: Affix the roller (10) to the slat (H) follow the marking on the slat (H)



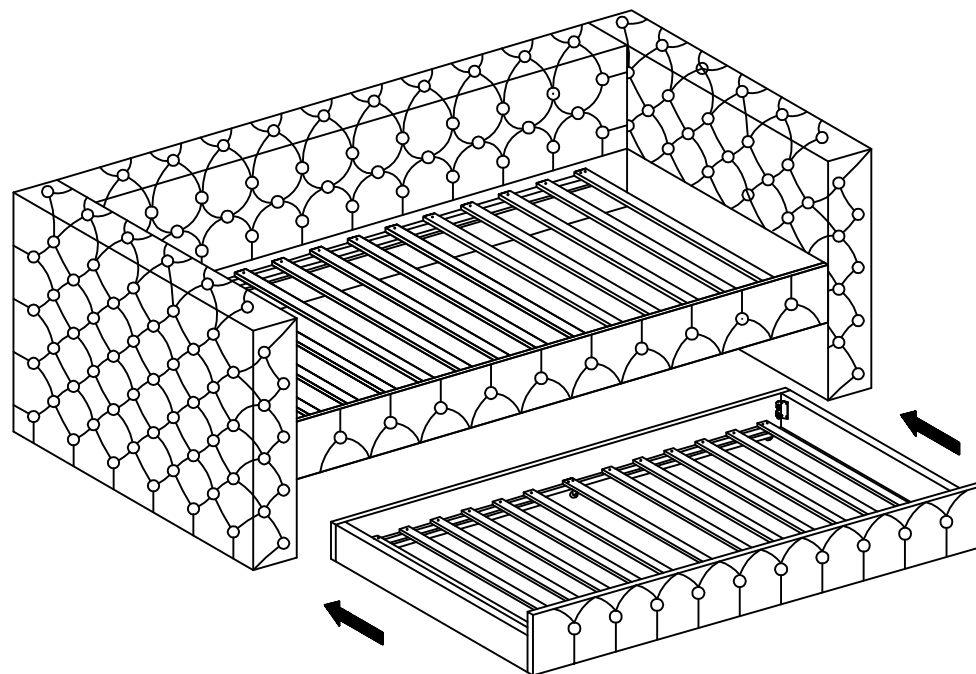
Packing Hardware (2)

7		1 pc
	M5 x 70 mm	
8		32 pcs
	CSK M4 x 32 mm	
9		24 pcs
	CSK M4 x 16 mm	
10		6 pcs

Step 5: Place the wooden blocks (I) at the corner of the trundle and fix the slat (H) to the side rail at (E) & (F) .



Step 6: Assembly is complete

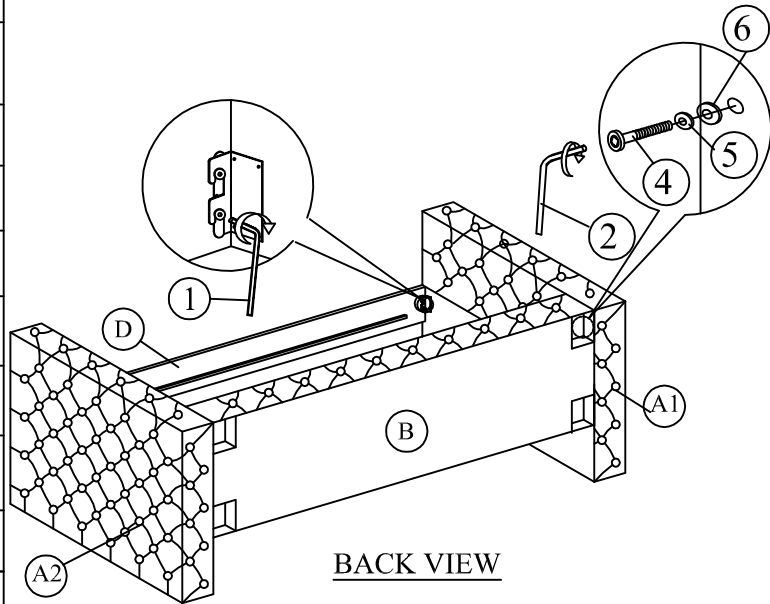


MODEL: CF 8987 (4'6")

ASSEMBLY INSTRUCTION

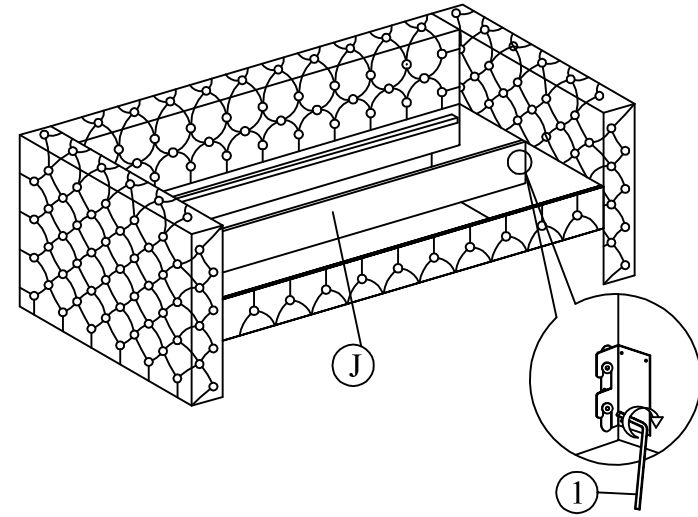
A		1 pc
B		1 pc
C		1 pc
D		1 pc
E		1 pc
F		1 pc
G		2 pcs
H		1 pc
I		4 pcs
J		1 pc

Step 1: Attach the back panel (B) to arm (A). Attach side rail (D) to arm (A) by pushing the bracket down to fit it. Tighten with Allen Key (1)

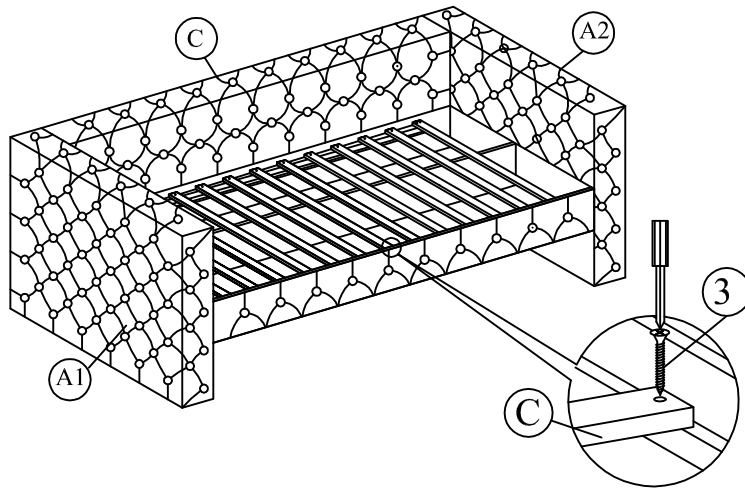


BACK VIEW

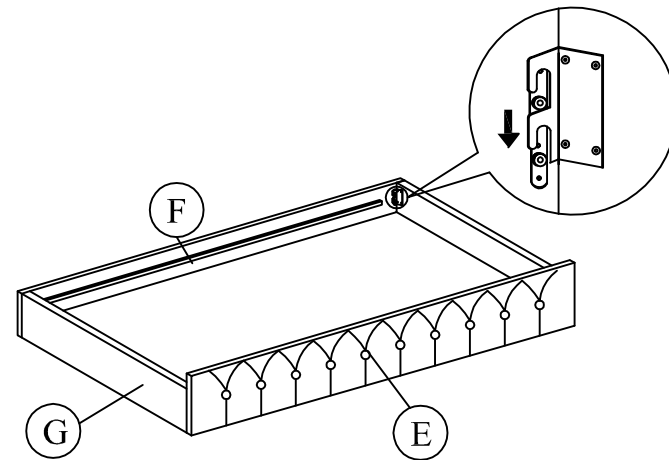
Step 2: Attach middle panel (J) to arm (A) by pushing the bracket down to fit it. Tighten with Allen Key (1)



Step 3: Tighten the slats with CSK screw (3). The distance of the slats should be sufficient to obtain desirable bed stability.

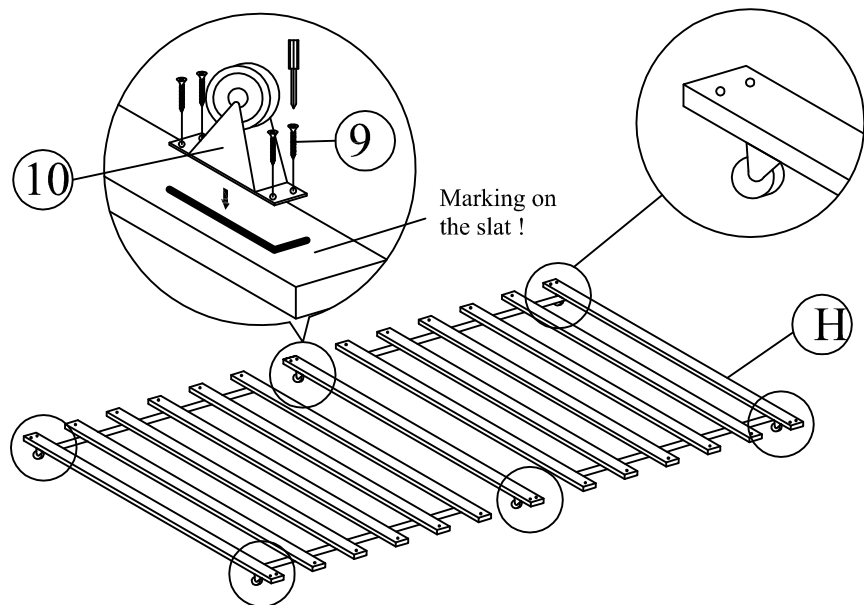


Step 4: Attach trundle side panel (G) and trundle front panel (E) to trundle back panel (F) by pushing the bracket down to fit it.

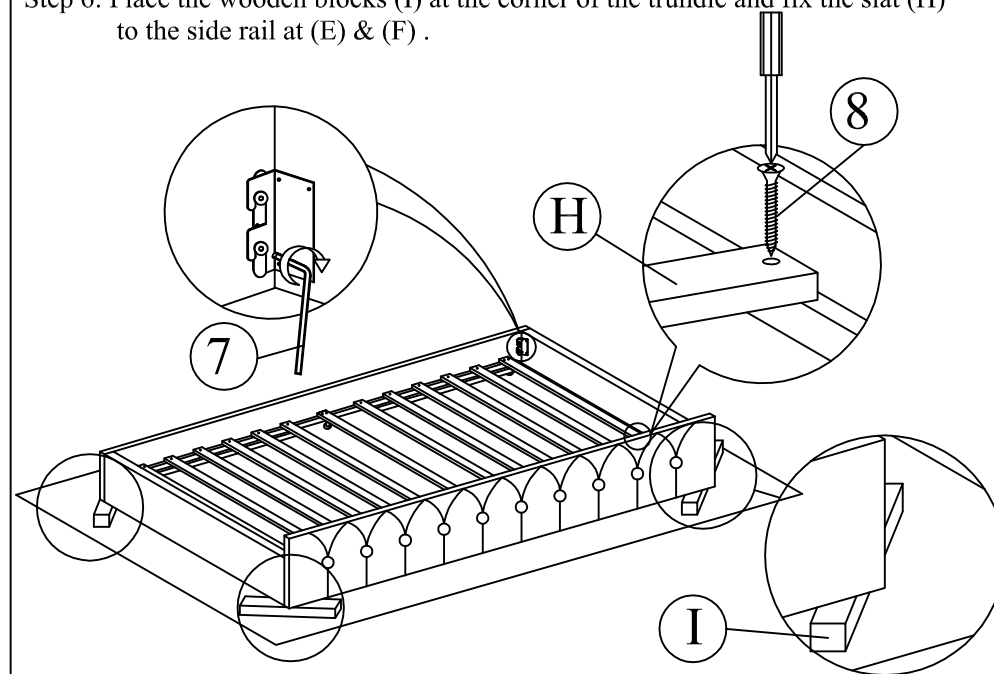


Packing Hardware (1)		
1		1 pc
2		1 pc
3		26 pcs
4		4 pcs
5		4 pcs
6		4 pcs
Packing Hardware (2)		
7		1 pc
8		32 pcs
9		24 pcs
10		6 pcs

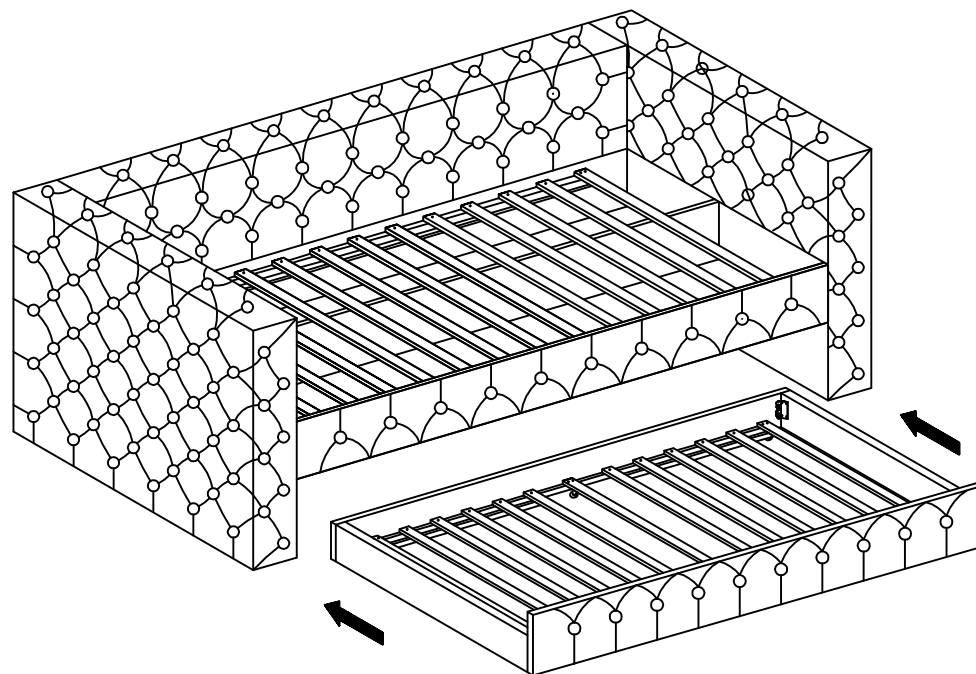
Step 5: Affix the roller (10) to the slat (H) follow the marking on the slat (H)



Step 6: Place the wooden blocks (I) at the corner of the trundle and fix the slat (H) to the side rail at (E) & (F) .



Step 7: Assembly is complete

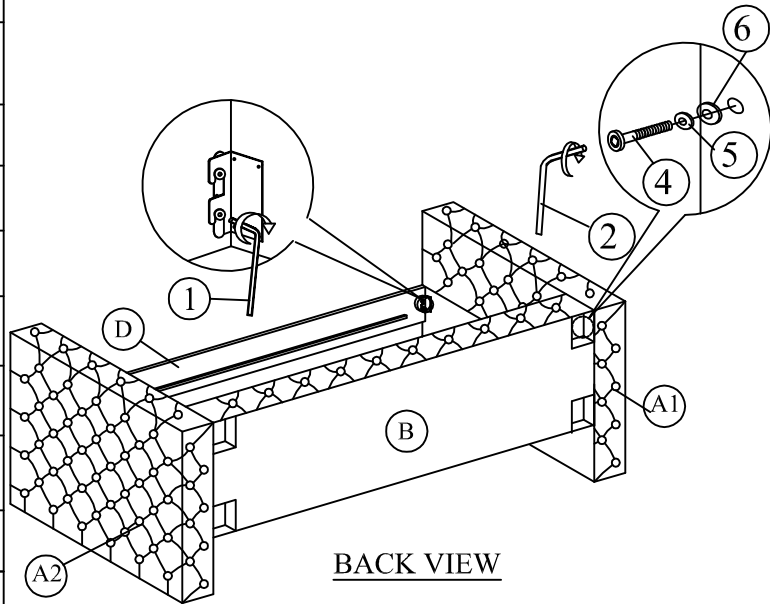


MODEL: CF 8987 (5')

ASSEMBLY INSTRUCTION

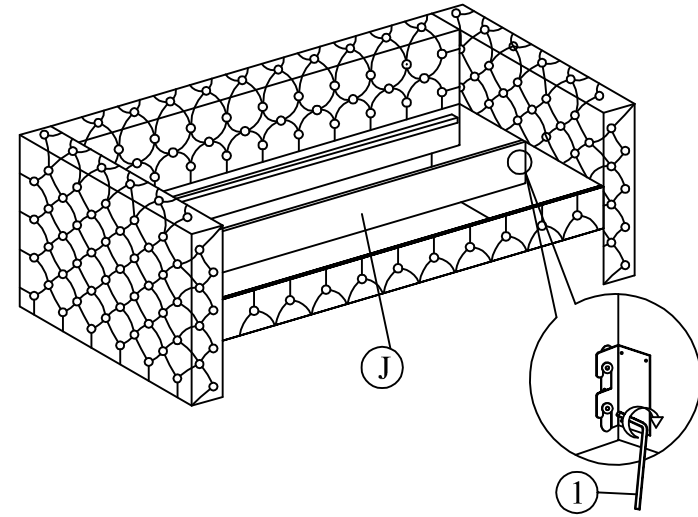
A		1 pc
B		1 pc
C		1 pc
D		1 pc
E		1 pc
F		1 pc
G		2 pcs
H		1 pc
I		4 pcs
J		1 pc

Step 1: Attach the back panel (B) to arm (A). Attach side rail (D) to arm (A) by pushing the bracket down to fit it. Tighten with Allen Key (1)

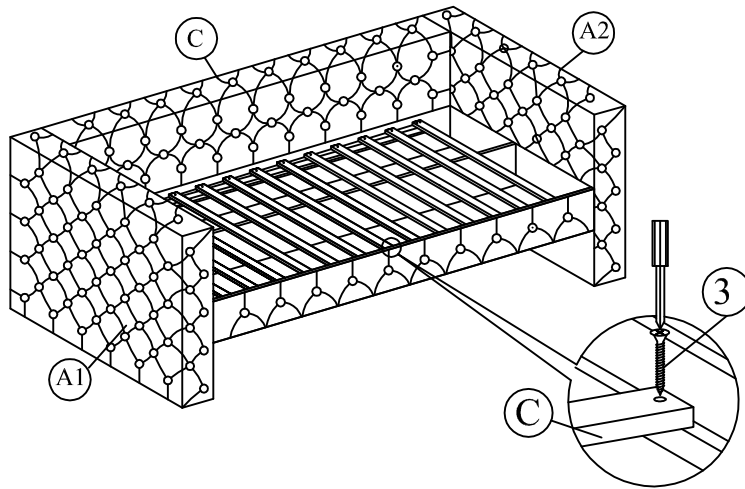


BACK VIEW

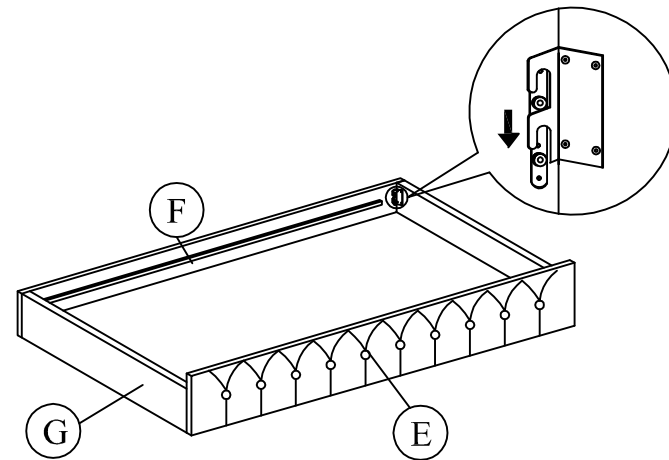
Step 2: Attach middle panel (J) to arm (A) by pushing the bracket down to fit it. Tighten with Allen Key (1)



Step 3: Tighten the slats with CSK screw (3). The distance of the slats should be sufficient to obtain desirable bed stability.

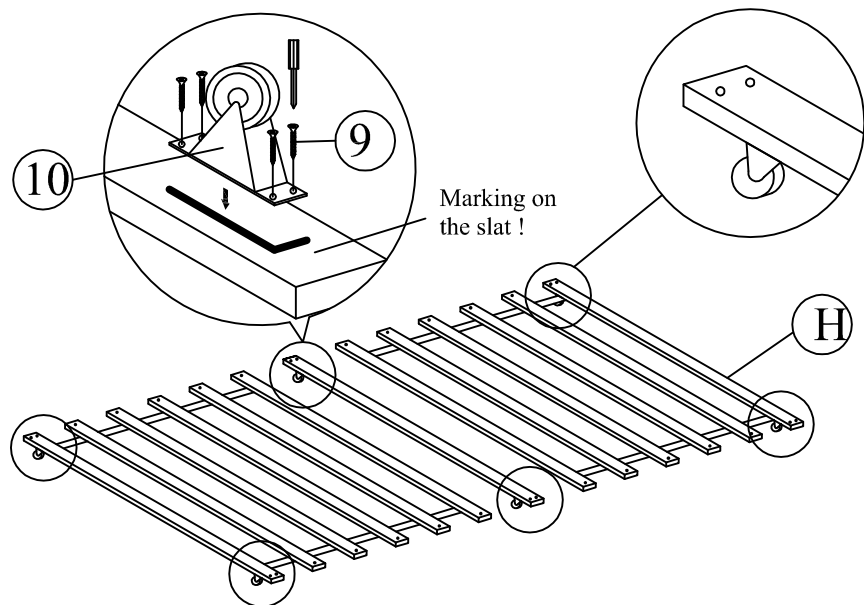


Step 4: Attach trundle side panel (G) and trundle front panel (E) to trundle back panel (F) by pushing the bracket down to fit it.

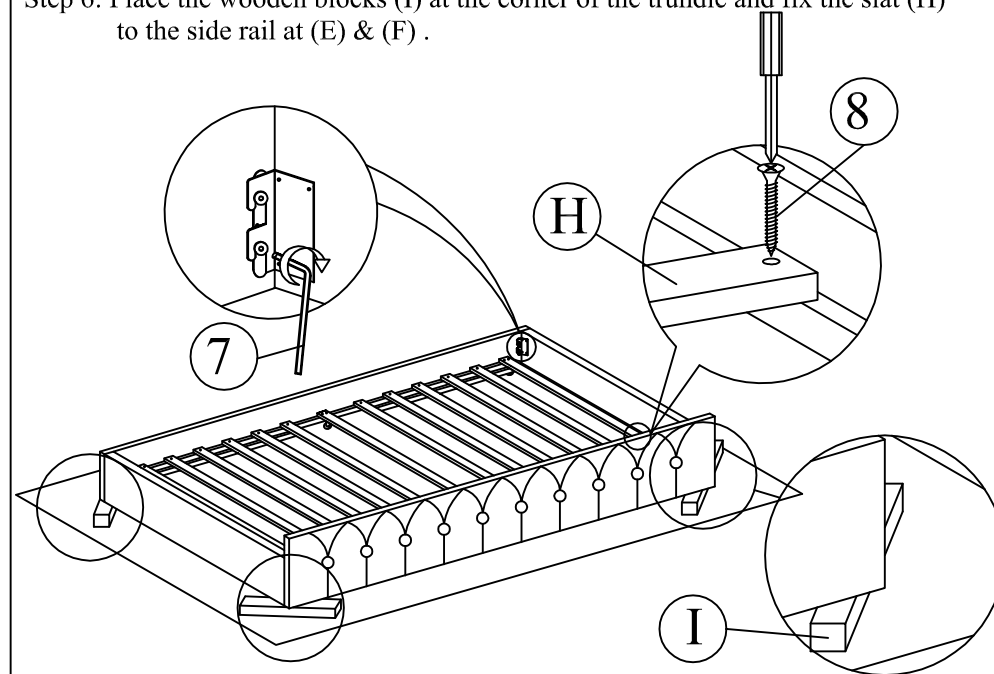


Packing Hardware (1)		
1		1 pc
2		1 pc
3		28 pcs
4		4 pcs
5		4 pcs
6		4 pcs
Packing Hardware (2)		
7		1 pc
8		32 pcs
9		24 pcs
10		6 pcs

Step 5: Affix the roller (10) to the slat (H) follow the marking on the slat (H)



Step 6: Place the wooden blocks (I) at the corner of the trundle and fix the slat (H) to the side rail at (E) & (F) .



Step 7: Assembly is complete

