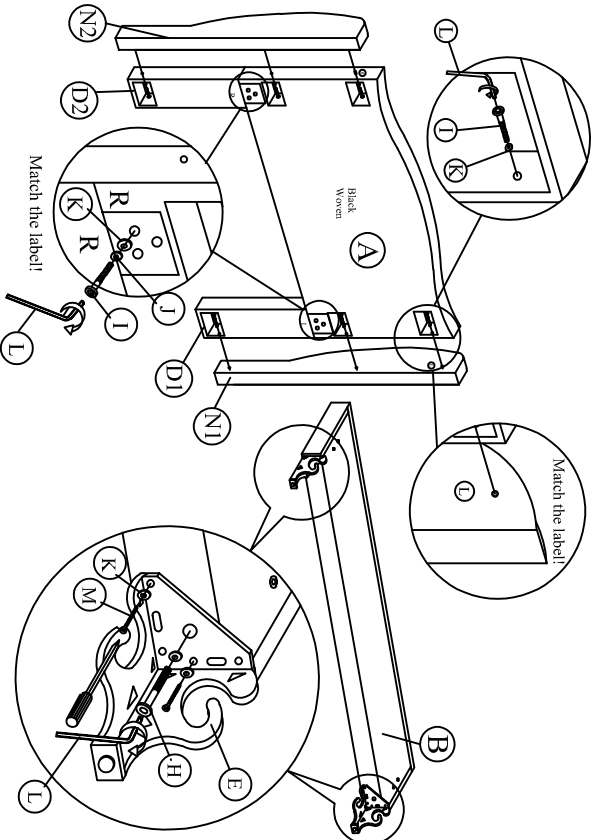


Assembly Instruction

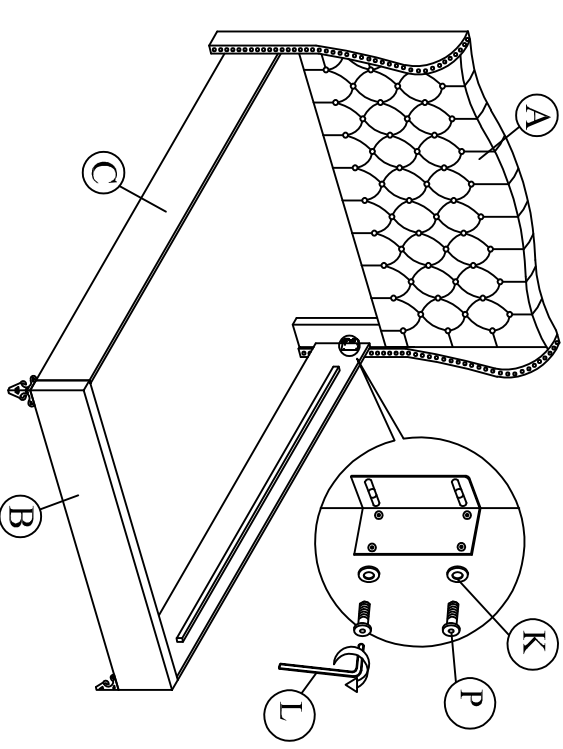
Model : CF 8948 (5) Queen

| | | |
|---|--|--------|
| A | | 1 pc |
| B | | 1 pc |
| C | | 2 pcs |
| D | | 2 pcs |
| E | | 2 pcs |
| F | | 3 pcs |
| G | | 3 pcs |
| H | | 5 pcs |
| I | | 12 pcs |
| J | | 6 pcs |
| K | | 26 pcs |
| L | | 1 pc |
| M | | 10 pcs |
| N | | 2 pcs |
| O | | 3 pcs |
| P | | 8 pcs |

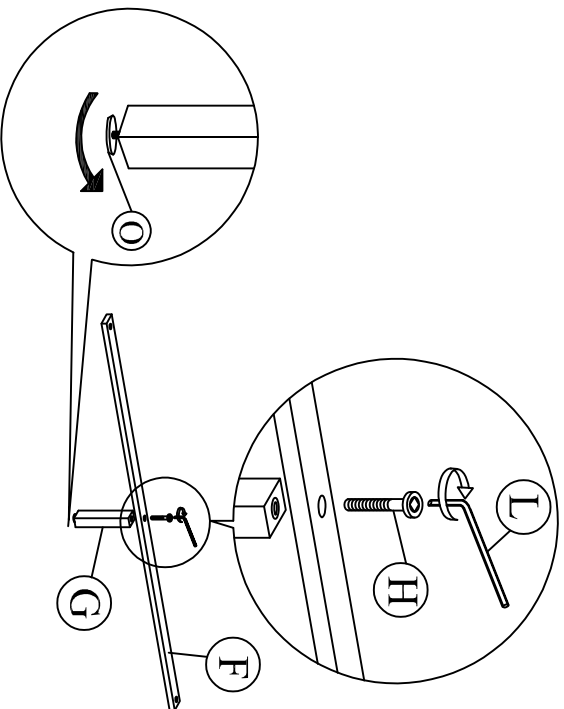
Step 1: Fix the side wing & headboard and footboard with legs as shown. Please follow the label to identify the correct legs to be fixed.



Step 2: Tighten the screws and flat washers to the headboard (A) and footboard (B).



Step 3: Attach the support legs (G) to the slats (F).



Step 4: Put the slat into the bed frame. Before tightening the CSK screw (M) to the side rail support, Make sure there is no gap between slat and the side rail.

