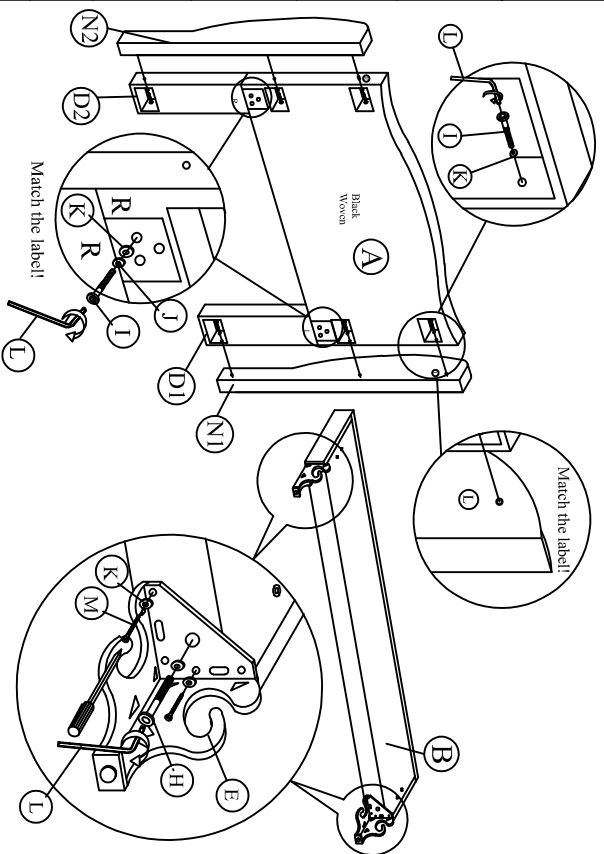


Model : CF 8948 (6') KING

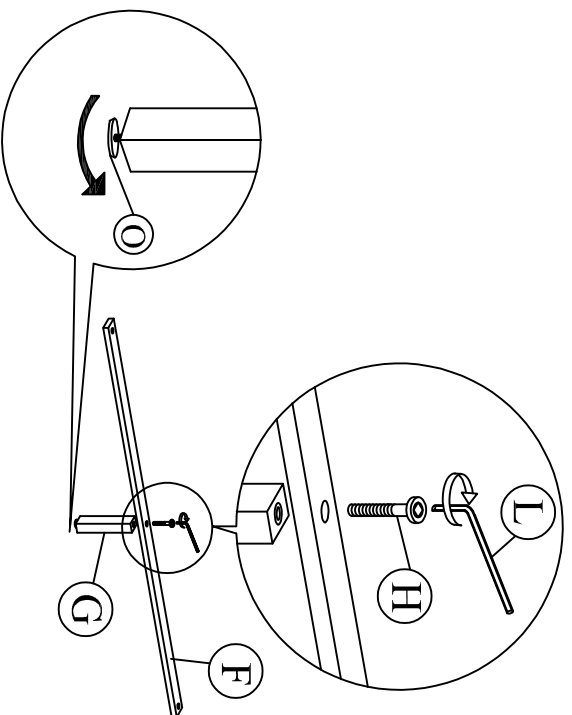
Assembly Instruction

A		1 pc
B		1 pc
C		2 pcs
D		2 pcs
E		2 pcs
F		5 pcs
G		5 pcs
H		7 pcs
I		12 pcs
J		6 pcs
K		26 pcs
L		1 pc
M		14 pcs
N		2 pcs
O		5 pcs
P		8 pcs

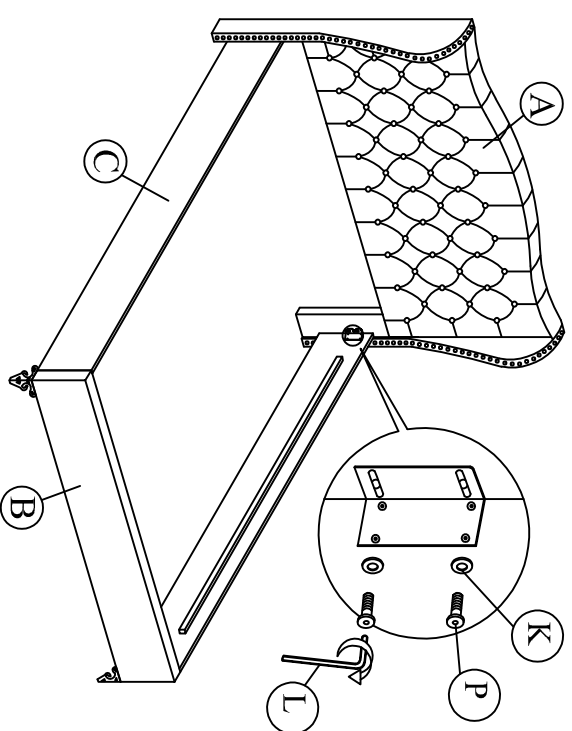
Step 1: Fix the side wing & headboard and footboard with legs as shown. Please follow the label to identify the correct legs to be fixed.



Step 3: Attach the support legs (G) to the slats (F).



Step 2: Tighten the screws and flat washers to the headboard (A) and footboard (B).



Step 4: Put the slat into the bed frame. Before tightening the CSK screw (M) to the side rail support, Make sure there is no gap between slat and the side rail.

