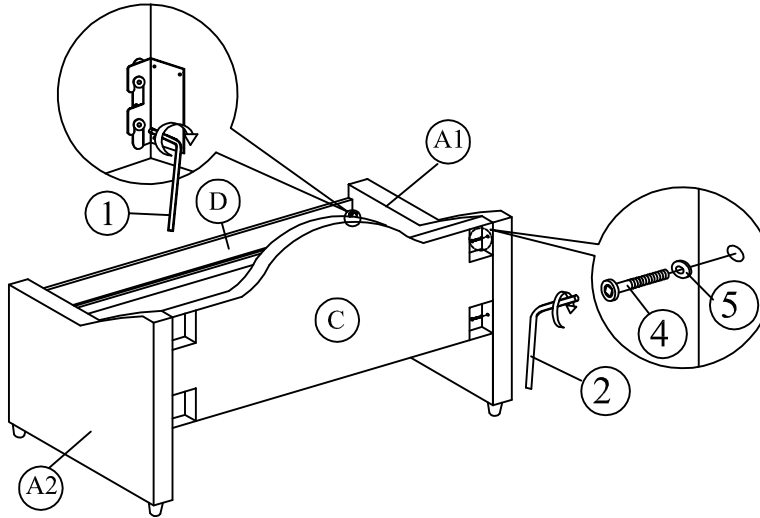


MODEL: CF 8940 TT (3')

ASSEMBLY INSTRUCTION

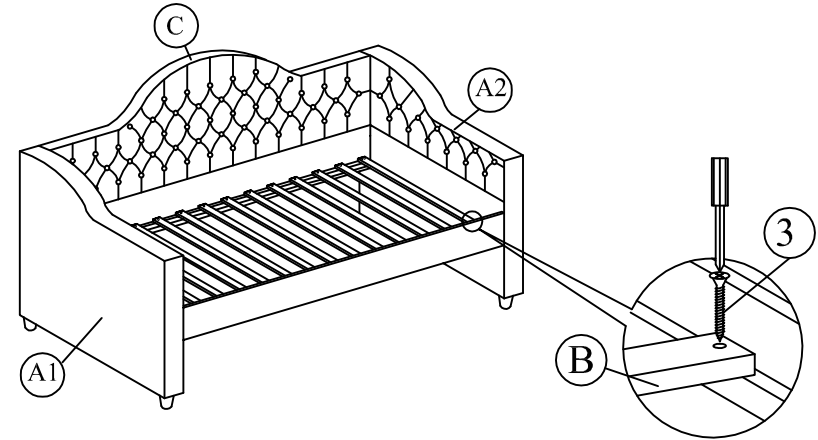
A	Arm A1	A2	2 pcs
B	Slat 13 Pcs		1 pc
C	Back Panel		1 pc
D	Side Rail		1 pc
E	Trundle Front Panel (PU)		1 pc
F	Trundle Back Panel		1 pc
G	Trundle Side Panel		2 pcs
H	Slat 13 Pcs		1 pc

Step 1: Attach the back panel (C) to arm (A). Attach side rail (D) to arm (A) by pushing the bracket down to fit it. Tighten with Allen Key (1)



BACK VIEW

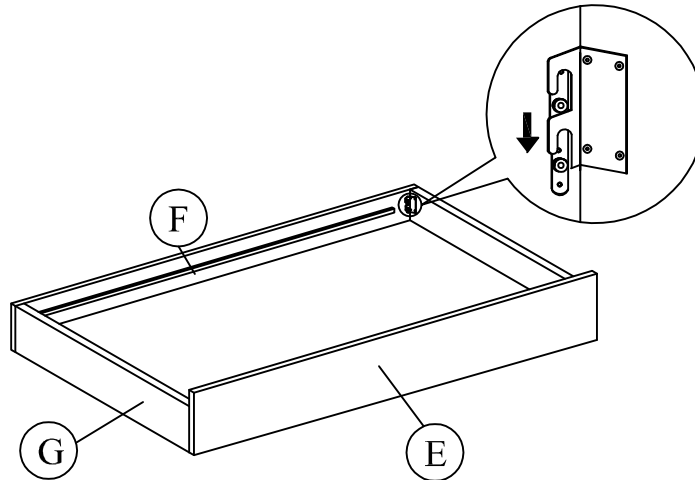
Step 2: Tighten the slats with CSK screw (3). The distance of the slats should be sufficient to obtain desirable bed stability.



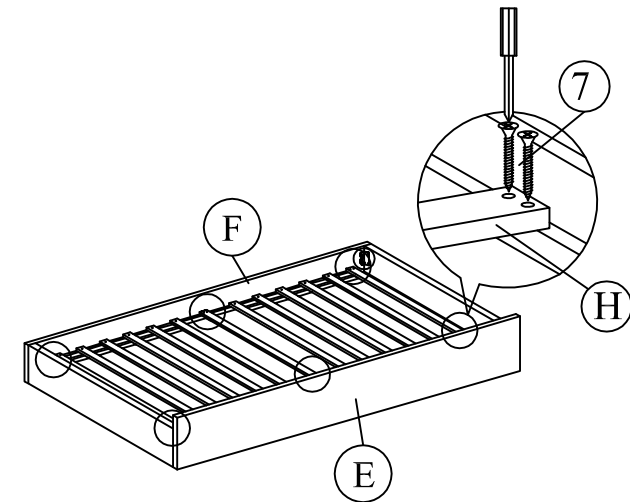
Packing Hardware (1)

1	M5 x 70 mm	1 pc
2	M5 x 65 mm	1 pc
3	CSK M4 x 32mm	32 pcs
4	JCBC M6 X 50	4 pcs
5	FLAT WASHER	4 pcs

Step 3: Attach trundle side panel (G) and trundle front panel (E) to trundle back panel (F) by pushing the bracket down to fit it.



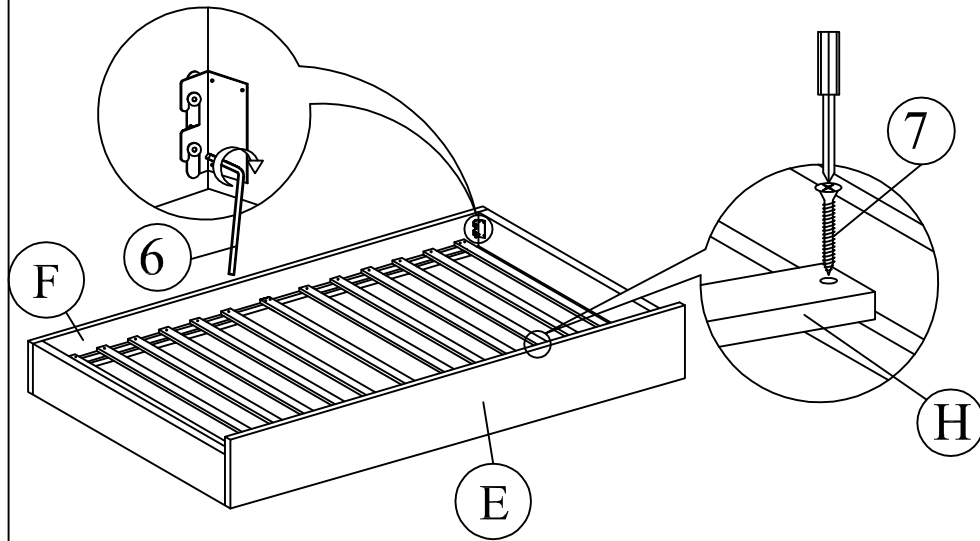
Step 4: Fix the slat (H) to the side rail at (E) & (F).



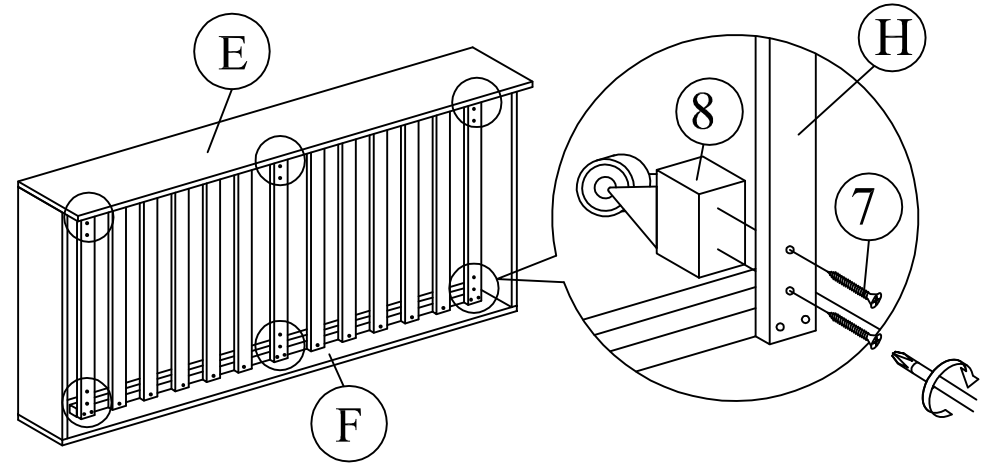
Packing Hardware (2)

6	M5 x 70 mm	1 pc
7	CSK M4 x 32 mm	44 pcs
8	Roller With Wooden	6 pcs

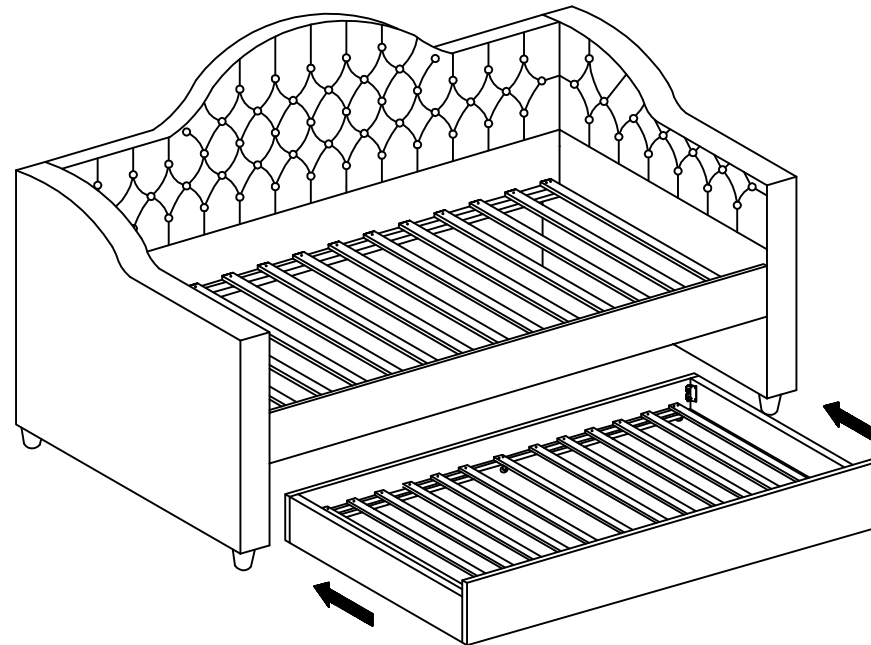
Step 5: Tighten the 4 Corner with Allen Key (3) and fix the slat (H) to the side rail at (E) & (F) .



Step 6: Turn the trundle to another side as below diagram and tighten the roller with wooden (8) at the slat (H) .



Step 7: Assembly is complete



MODEL: CF 8940 (4'6")

ASSEMBLY INSTRUCTION

A	Arm A1	2 pcs
B	Slat 13 Pcs	1 pc
C	Back Panel	1 pc
D	Side Rail	1 pc
E	Trundle Front Panel (PU)	1 pc
F	Trundle Back Panel	1 pc
G	Trundle Side Panel	2 pcs
H	Slat 13 Pcs	1 pc
I	Middle Panel	1 pc

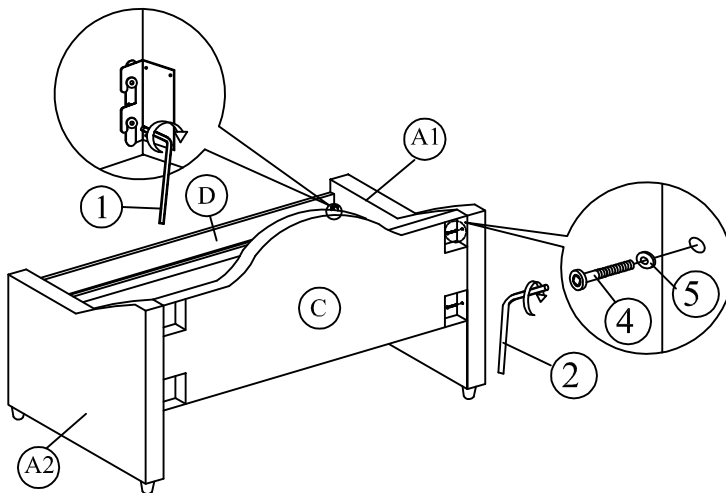
Packing Hardware (1)

1		1 pc
	M5 x 70 mm	
2		1 pc
	M5 x 65 mm	
3		26 pcs
	CSK M4 x 32mm	
4		4 pcs
	JCBC M6 X 50	
5		4 pcs
	FLAT WASHER	

Packing Hardware (2)

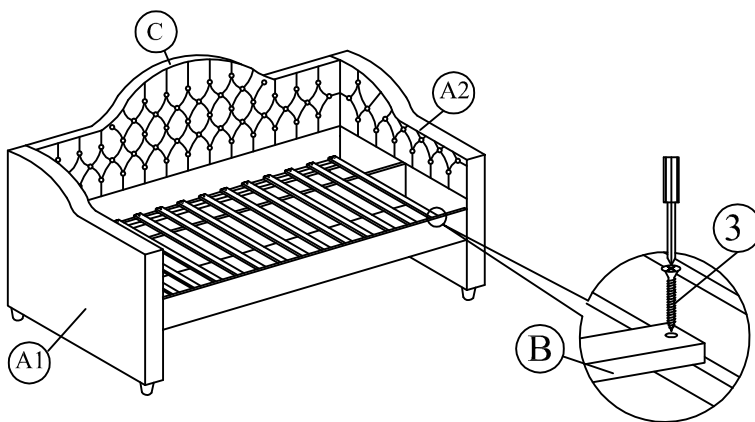
6		1 pc
	M5 x 70 mm	
7		44 pcs
	CSK M4 x 32 mm	
8		6 pcs
	Roller With Wooden	

Step 1: Attach the back panel (C) to arm (A) . Attach side rail (D) to arm (A) by pushing the bracket down to fit it. Tighten with Allen Key (1)

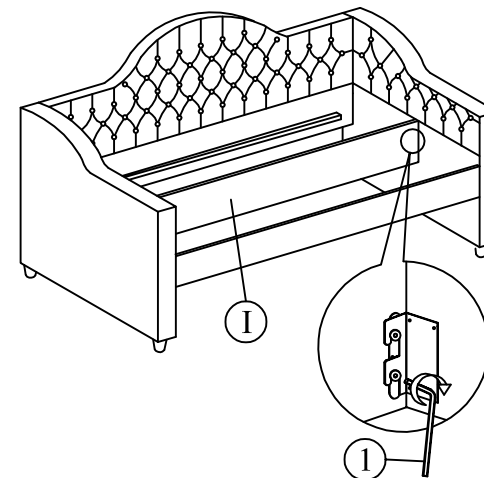


BACK VIEW

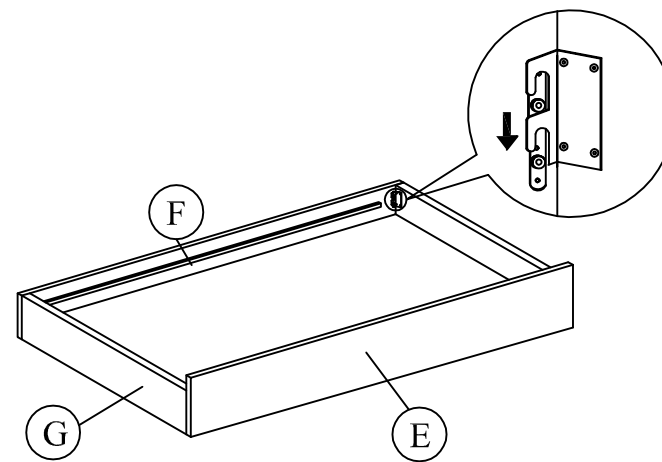
Step 3: Tighten the slats with CSK screw (3) . The distance of the slats should be sufficient to obtain desirable bed stability.



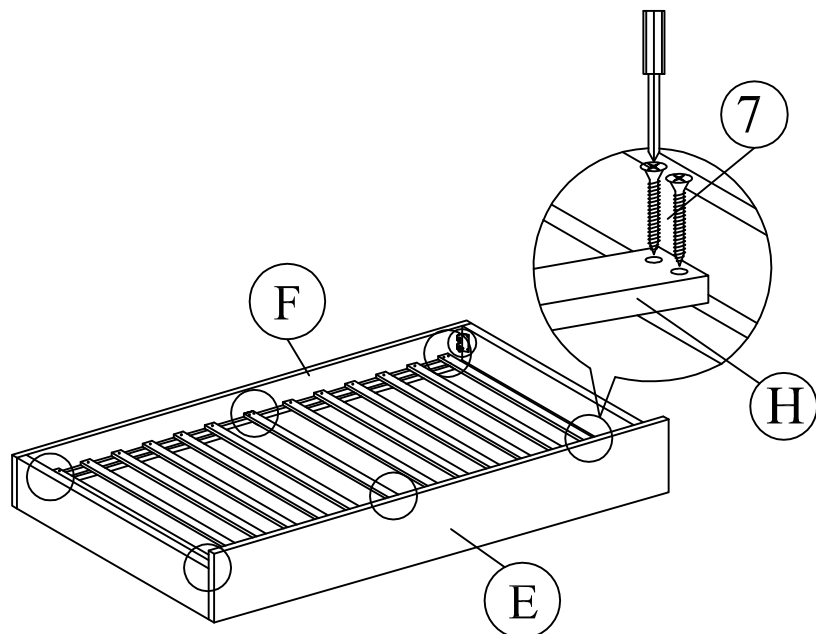
Step 2: Attach middle panel (H) to arm (A) by pushing the bracket down to fit it. Tighten with Allen Key (1)



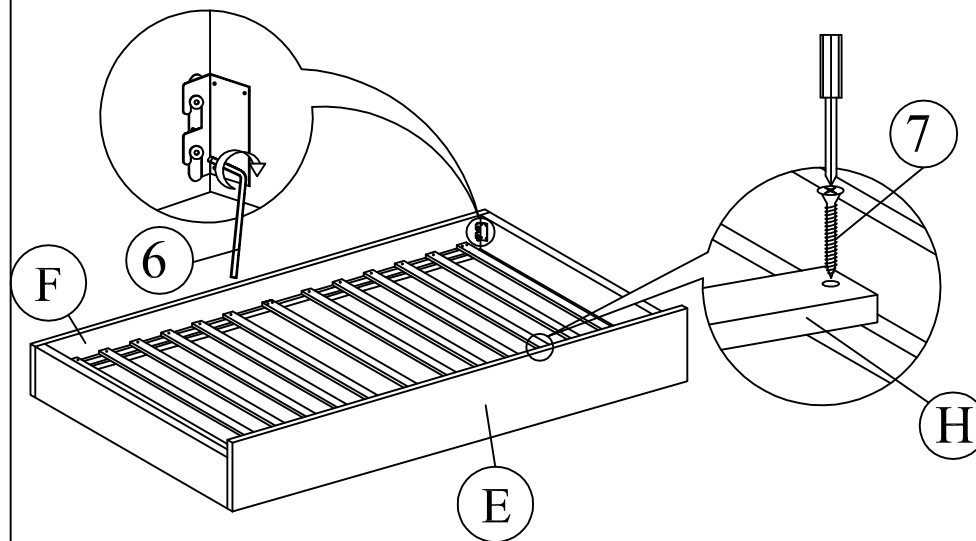
Step 4: Attach trundle side panel (G) and trundle front panel (E) to trundle back panel (F) by pushing the bracket down to fit it.



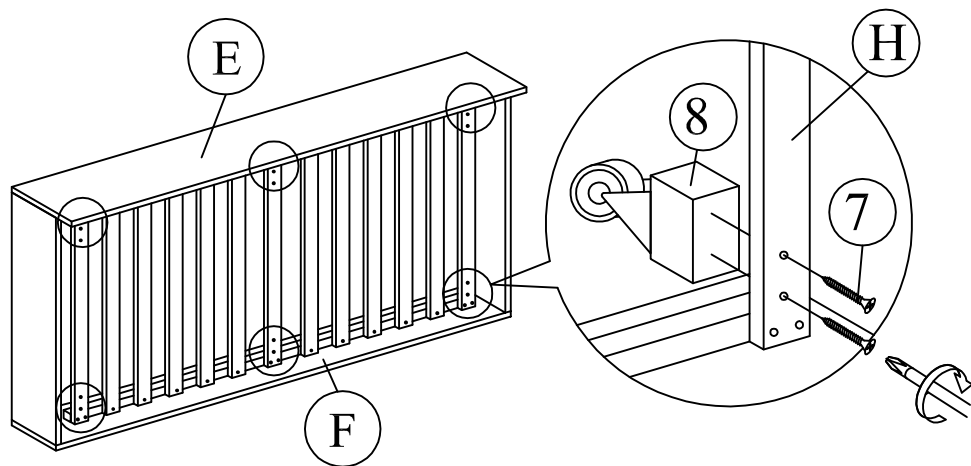
Step 5 :Fix the slat (H) to the side rail at (E) & (F) .



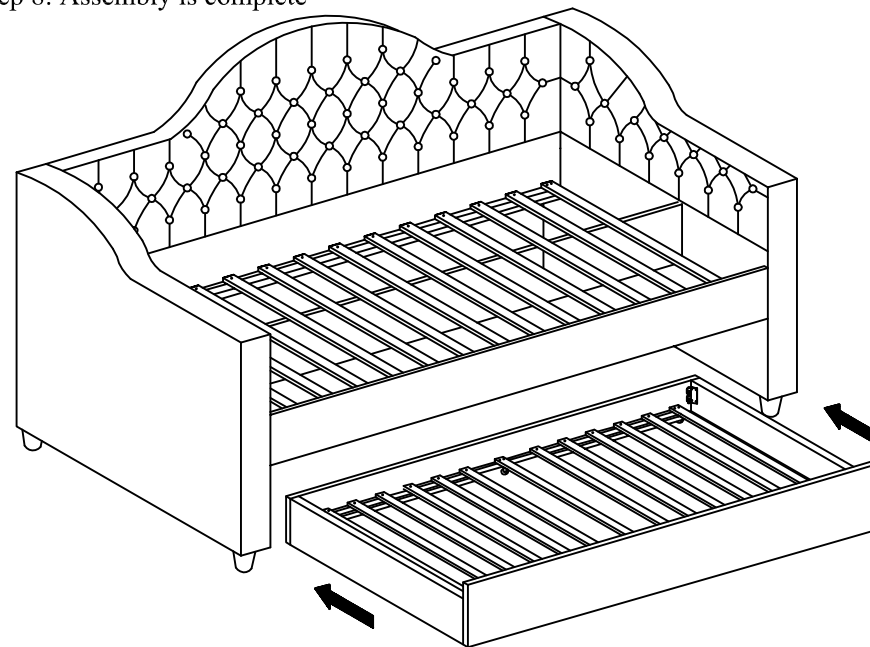
Step 6: Tighten the 4 Corner with Allen Key (3) and fix the slat (H) to the side rail at (E) & (F) .



Step 7: Turn the trundle to another side as below diagram and tighten the roller with wooden (8) at the slat (H) .



Step 8: Assembly is complete

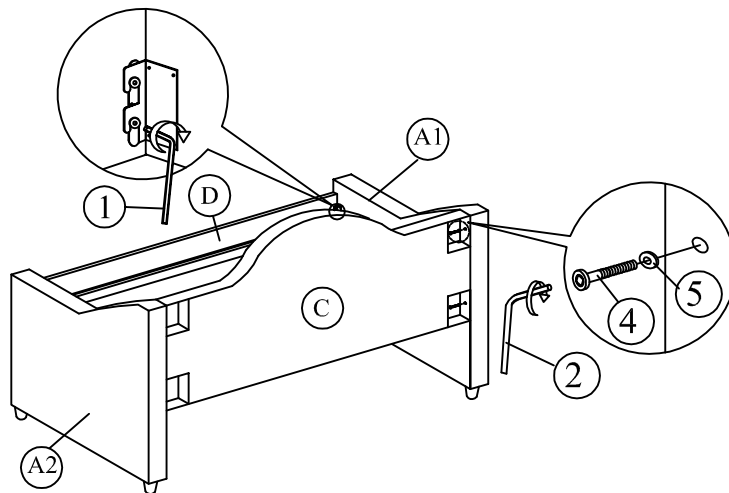


MODEL: CF 8940 (5')

ASSEMBLY INSTRUCTION

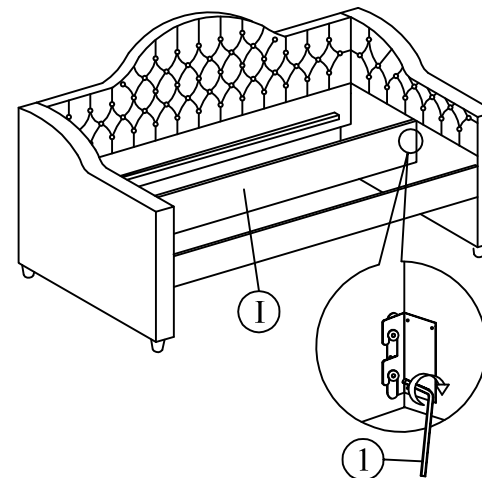
A	Arm A1	2 pcs
B	Slat 14 Pcs	1 pc
C	Back Panel	1 pc
D	Side Rail	1 pc
E	Trundle Front Panel (PU)	1 pc
F	Trundle Back Panel	1 pc
G	Trundle Side Panel	2 pcs
H	Slat 13 Pcs	1 pc
I	Middle Panel	1 pc

Step 1: Attach the back panel (C) to arm (A) . Attach side rail (D) to arm (A) by pushing the bracket down to fit it. Tighten with Allen Key (1)

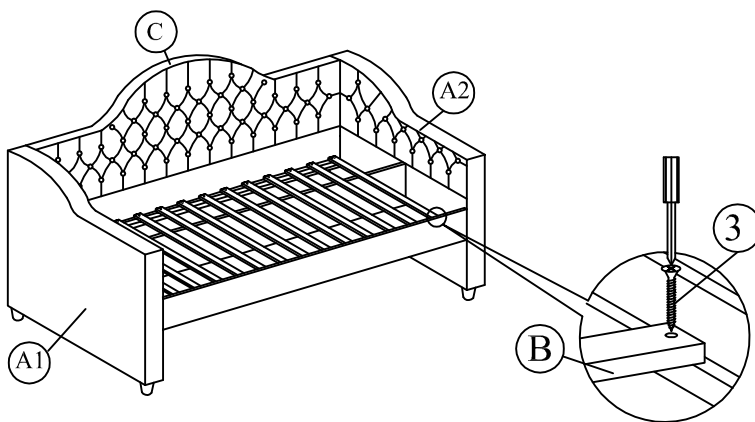


BACK VIEW

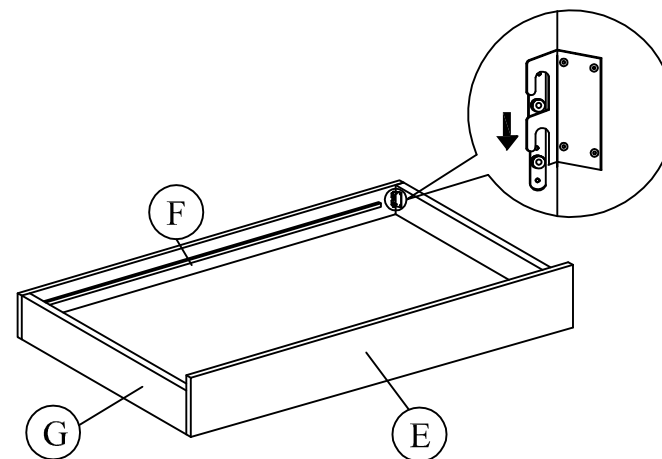
Step 2: Attach middle panel (H) to arm (A) by pushing the bracket down to fit it. Tighten with Allen Key (1)



Step 3: Tighten the slats with CSK screw (3). The distance of the slats should be sufficient to obtain desirable bed stability.

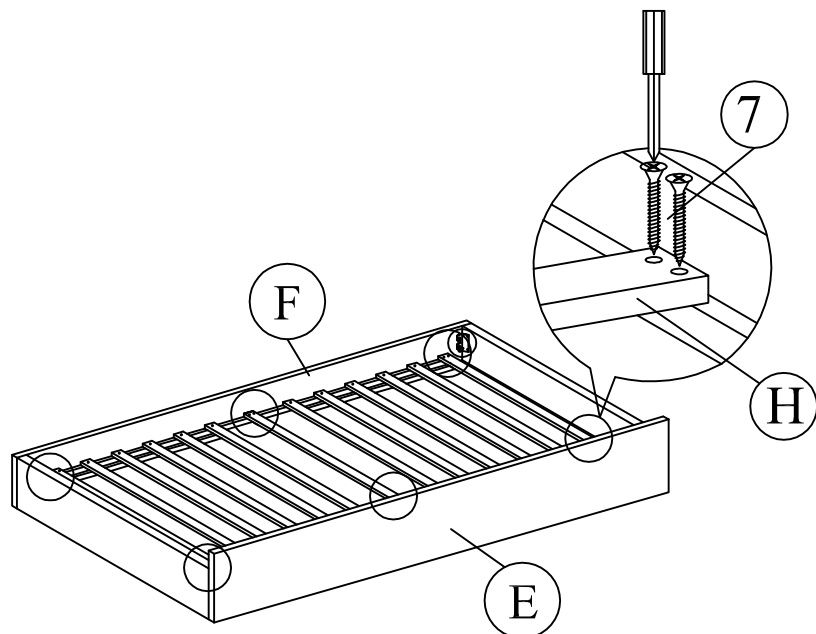


Step 4: Attach trundle side panel (G) and trundle front panel (E) to trundle back panel (F) by pushing the bracket down to fit it.

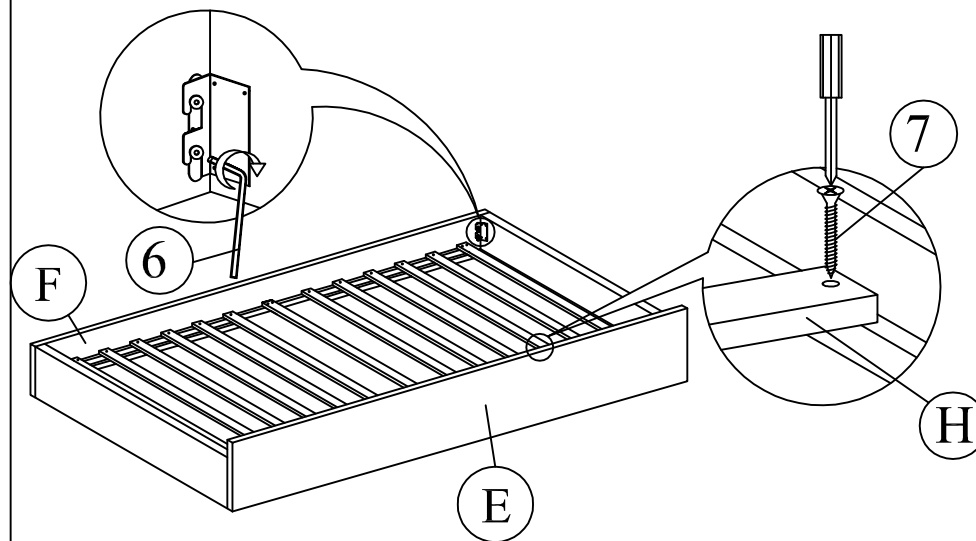


Packing Hardware (1)		
1	M5 x 70 mm	1 pc
2	M5 x 65 mm	1 pc
3	CSK M4 x 32mm	28 pcs
4	JCBC M6 X 50	4 pcs
5	FLAT WASHER	4 pcs
Packing Hardware (2)		
6	M5 x 70 mm	1 pc
7	CSK M4 x 32 mm	44 pcs
8	Roller With Wooden	6 pcs

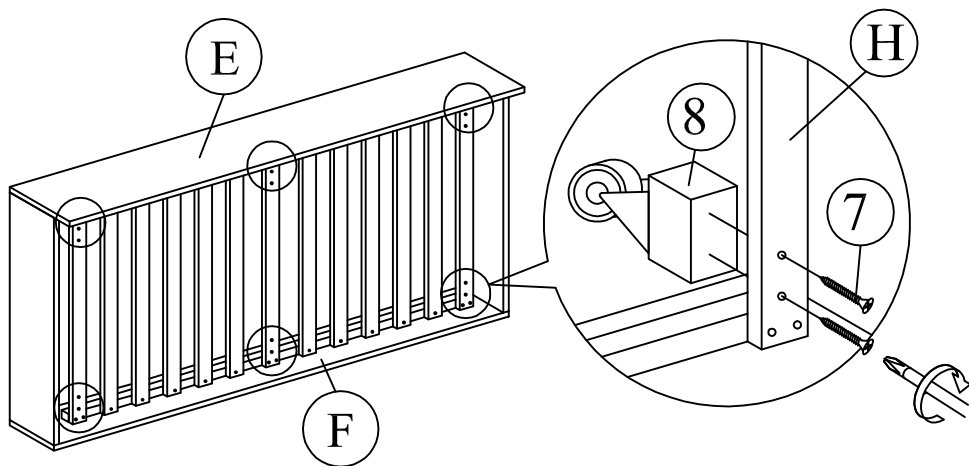
Step 5 :Fix the slat (H) to the side rail at (E) & (F) .



Step 6: Tighten the 4 Corner with Allen Key (3) and fix the slat (H) to the side rail at (E) & (F) .



Step 7: Turn the trundle to another side as below diagram and tighten the roller with wooden (8) at the slat (H) .



Step 8: Assembly is complete

