
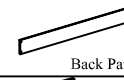

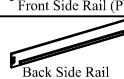
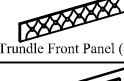


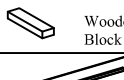

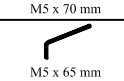

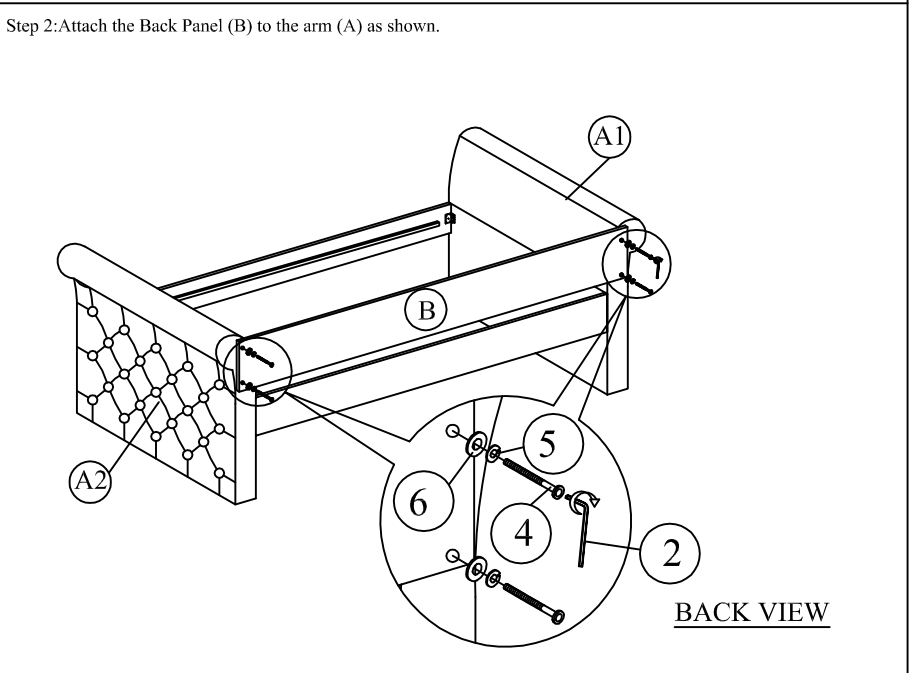
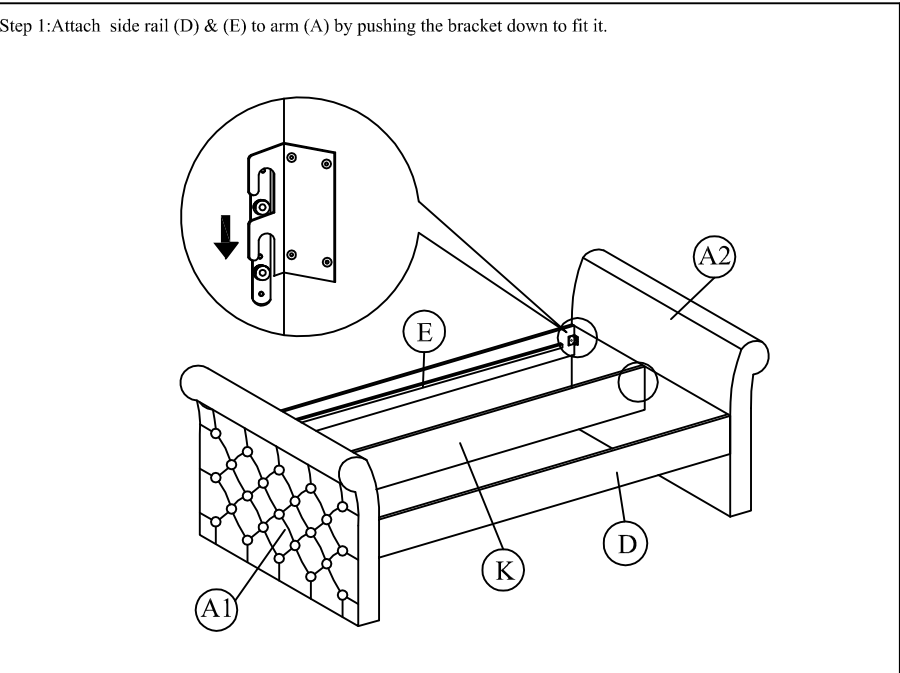
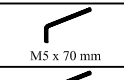
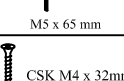






ASSEMBLY INSTRUCTION



A		1 pc
B		1 pc
C		1 pc
D		1 pc
E		1 pc
F		1 pc
G		1 pc
H		2 pcs
I		1 pc
J		4 pcs
K		1 pc

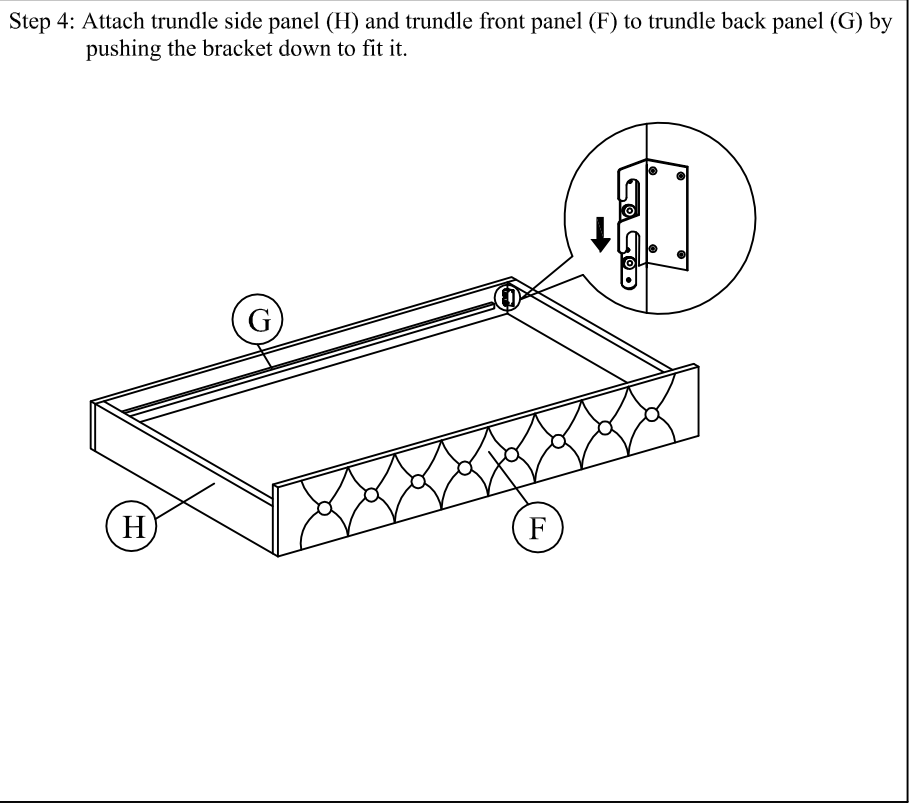
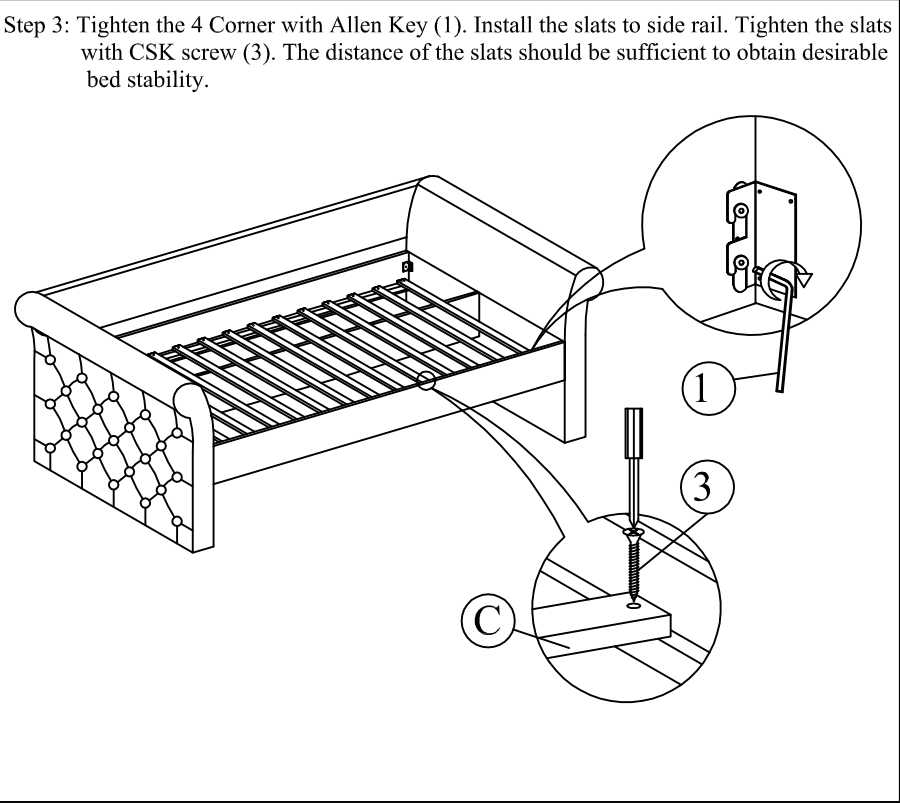


Packing Hardware (1)

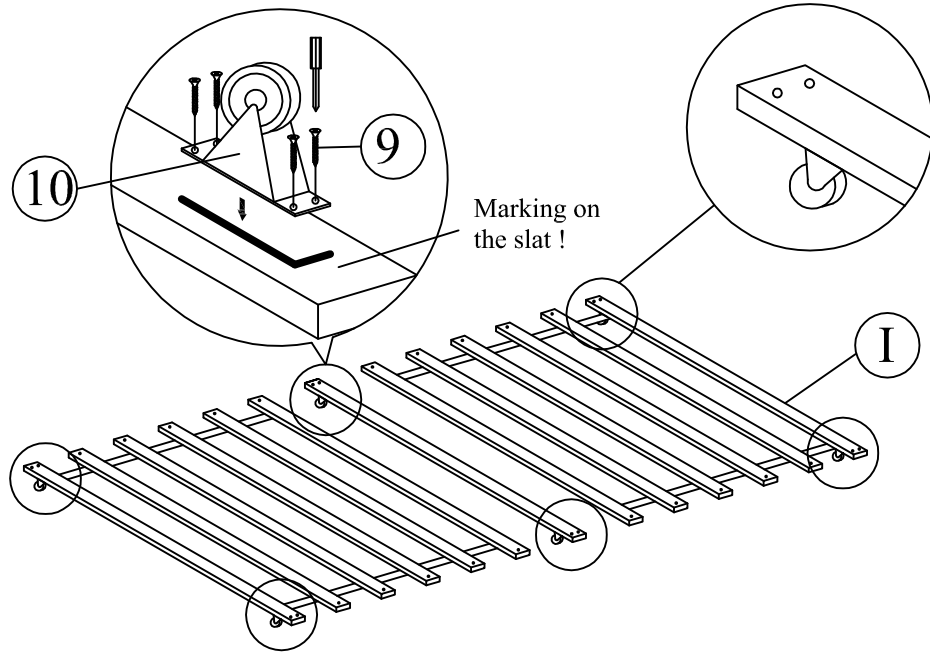
1		1 pc
2		1 pc
3		26 pcs
4		4 pcs
5		4 pcs
6		4 pcs

Packing Hardware (2)

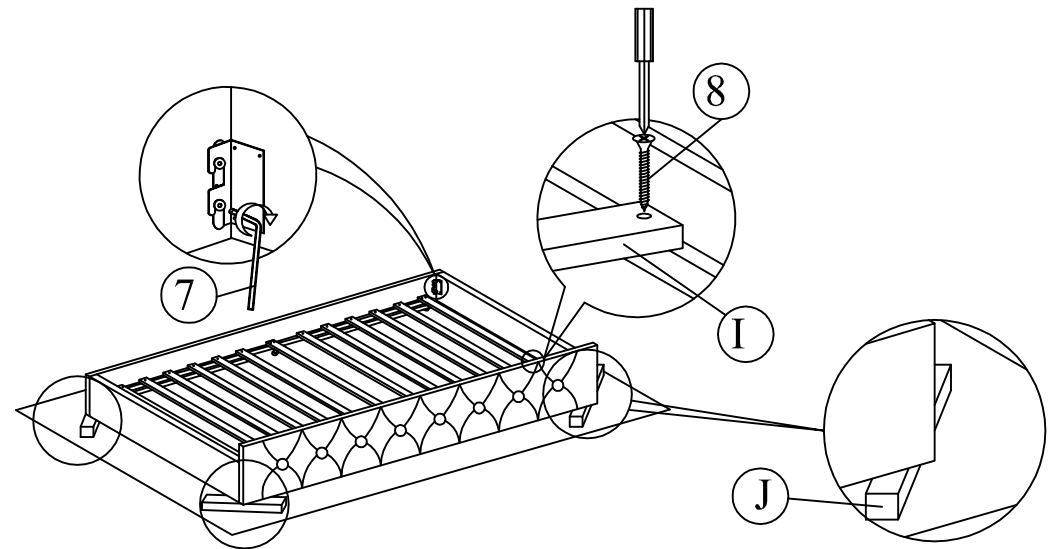
7		1 pc
8		32 pcs
9		24 pcs
10		6 pcs



Step 5: Affix the roller (10) to the slat (I) follow the marking on the slat (H)



Step 6: Place the wooden blocks (J) at the corner of the trundle and fix the slat (I) to the side rail at (F) & (G) .



Step 7: Assembly is complete

