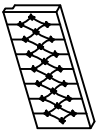
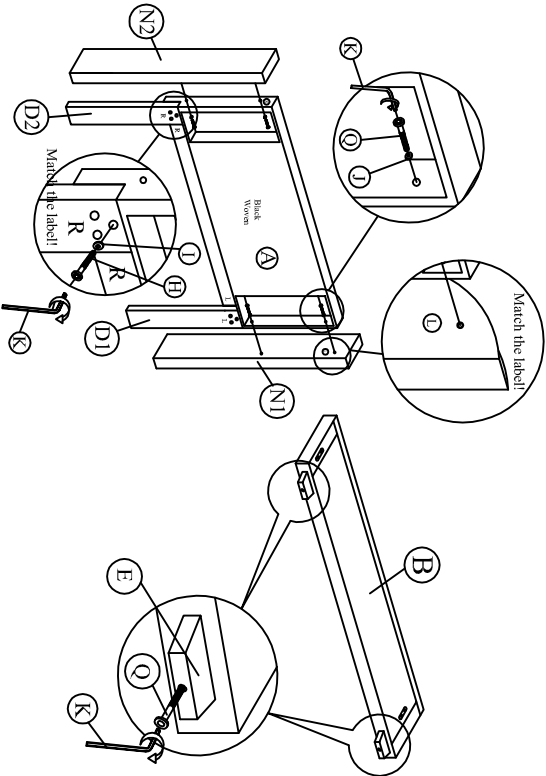
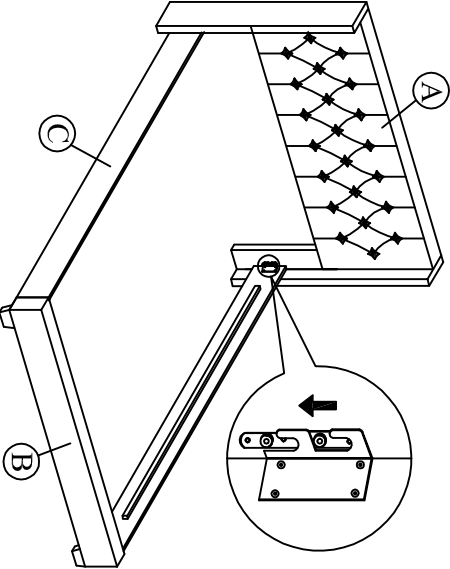
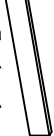

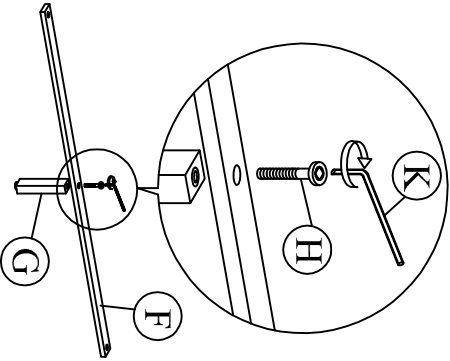
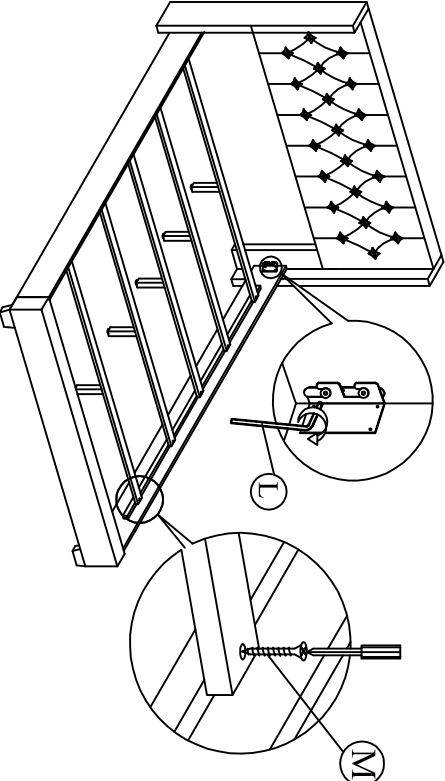


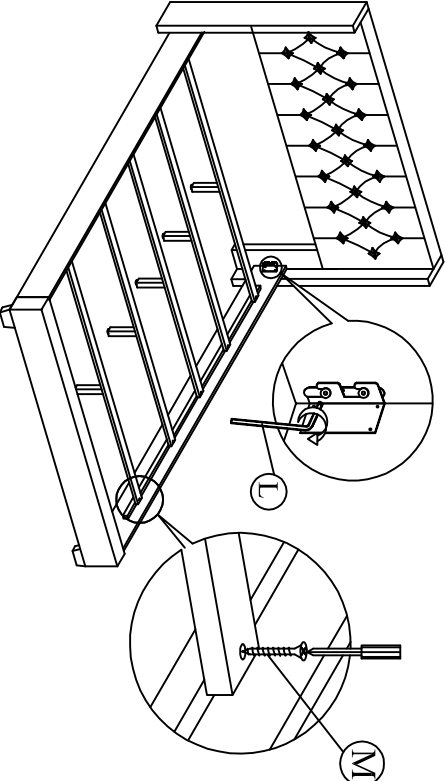
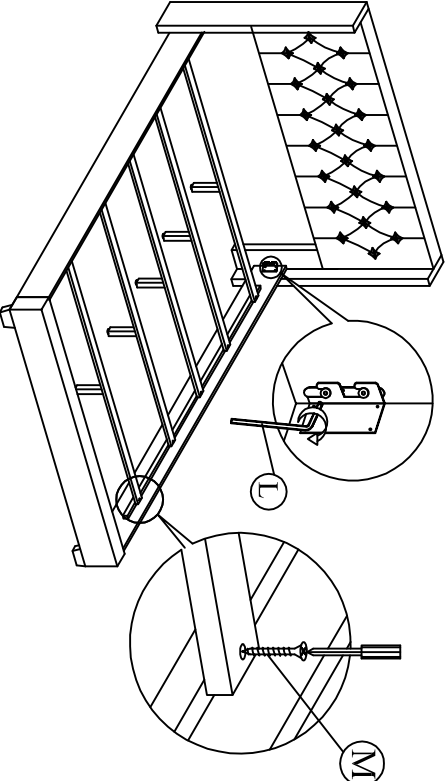


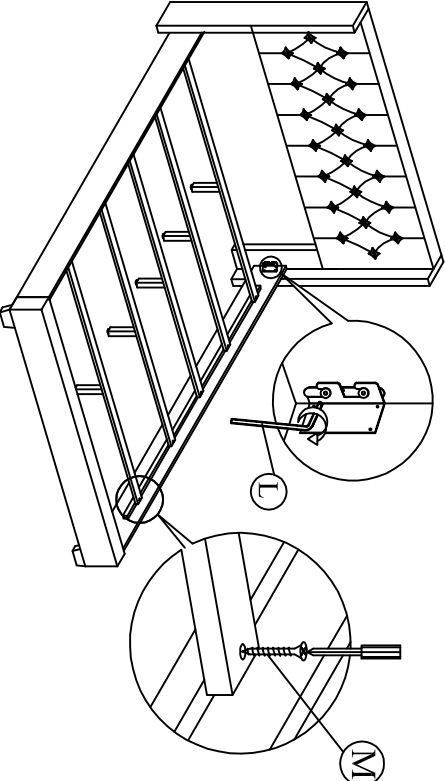
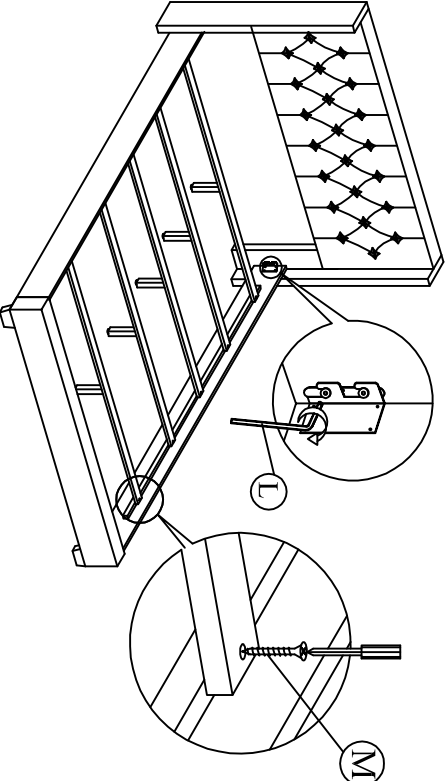
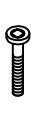

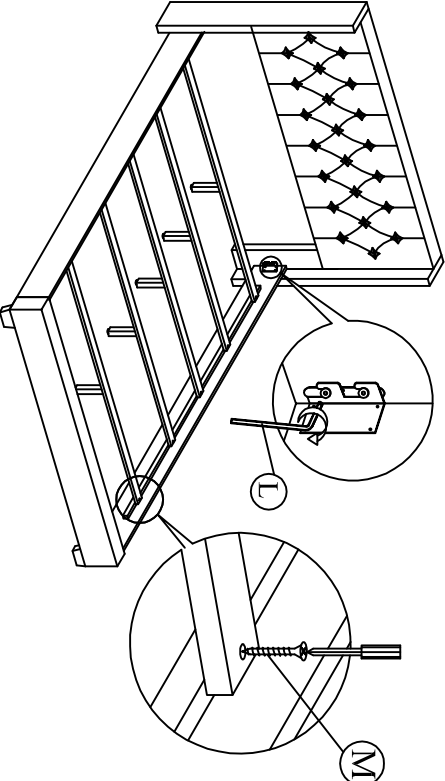
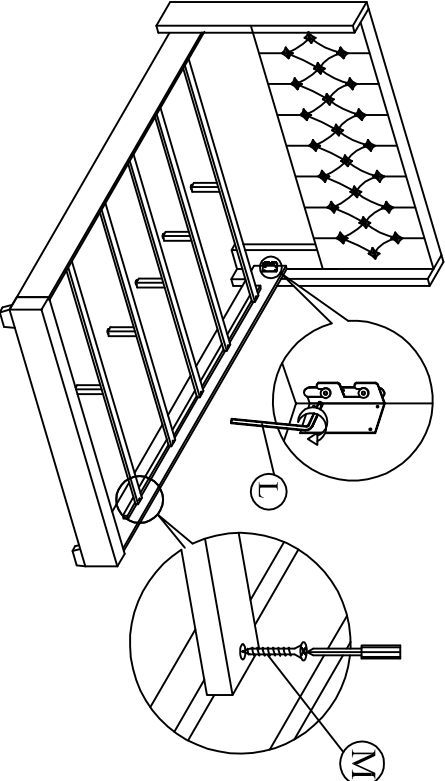


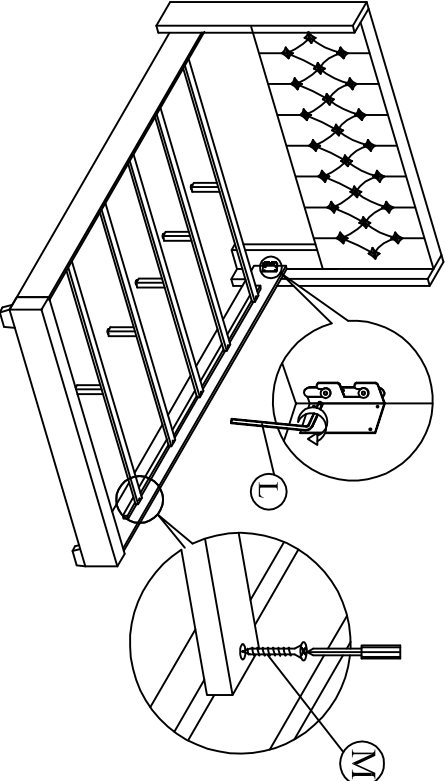
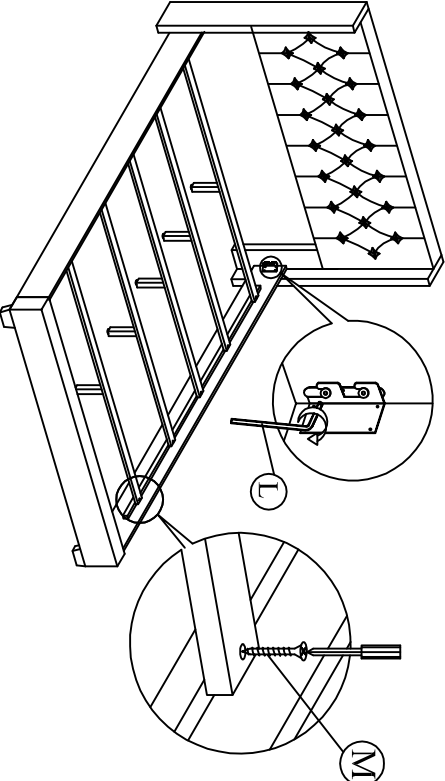

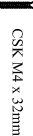
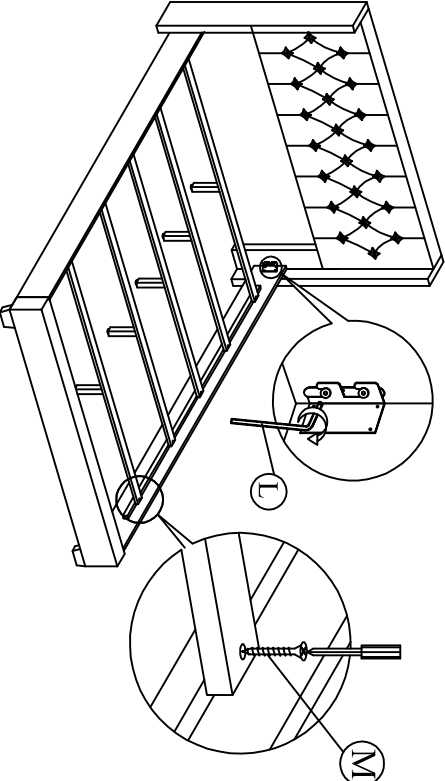
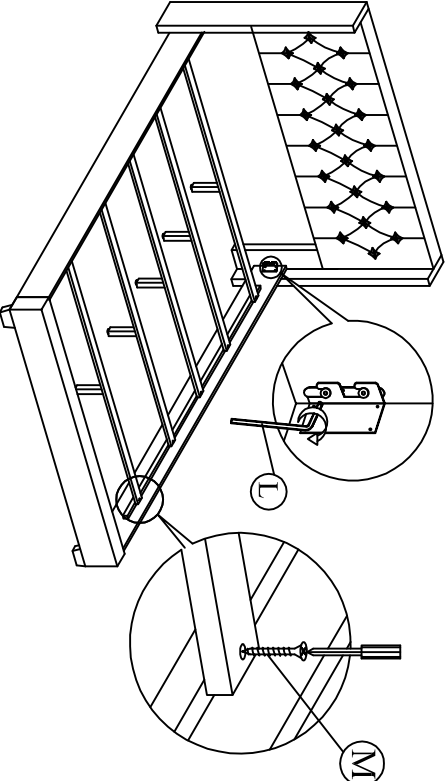

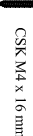
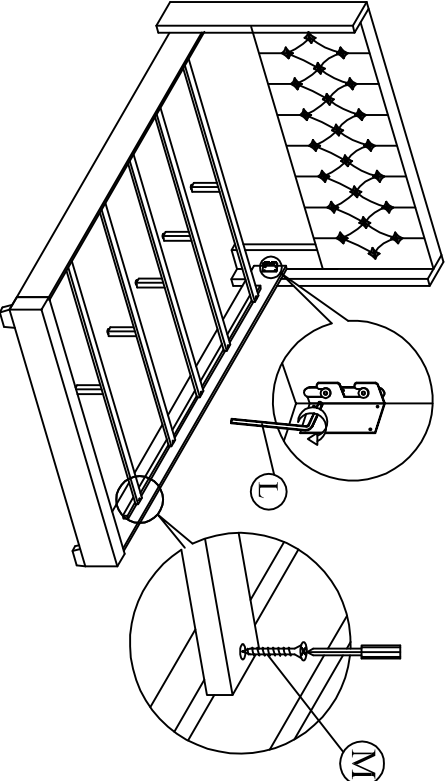
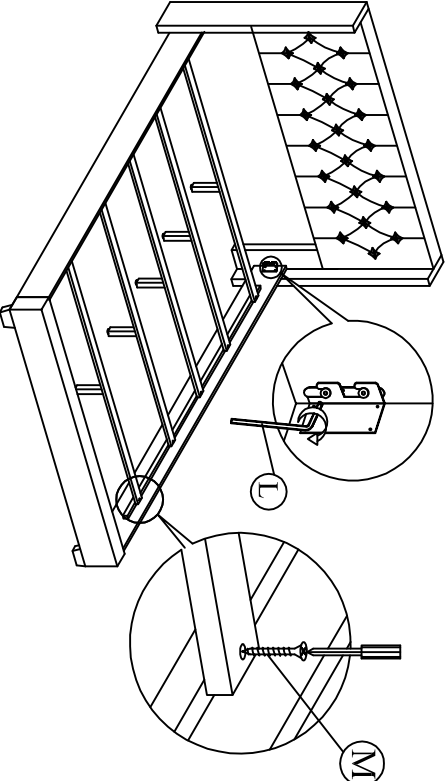
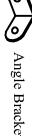
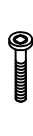
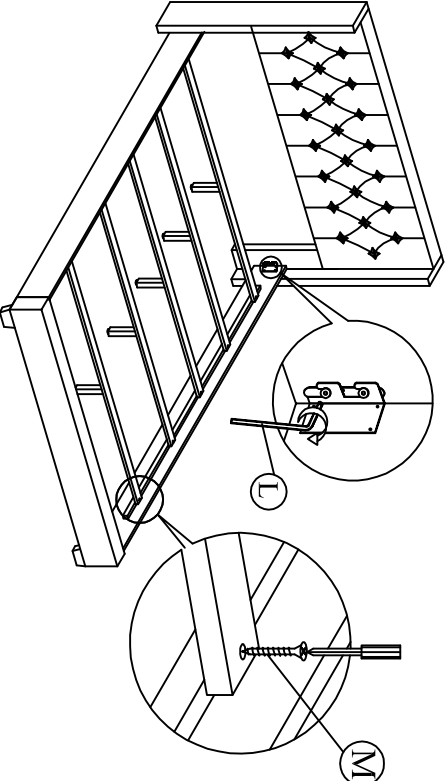
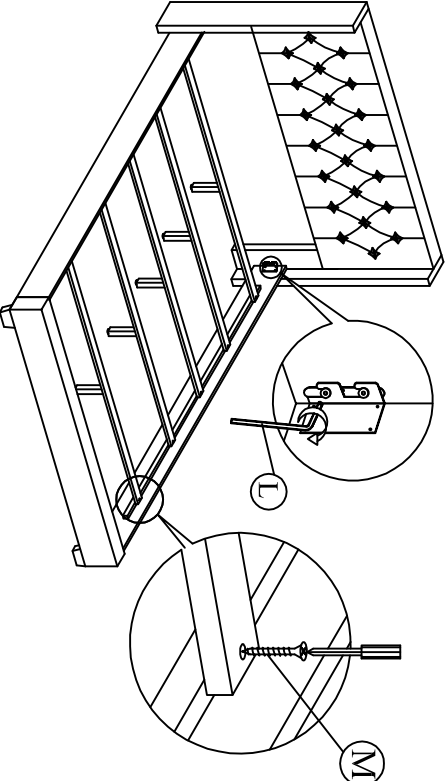


Model : CF 8611
(6'4" King / 6' Cal King)

Assembly Instruction

<p>A</p>  <p>Headboard</p> <p>1 pc</p>	<p>Step 1: Fix the side wing & headboard and footboard with legs as shown. Please follow the label to identify the correct legs to be fixed.</p> 	<p>Step 2: Attach Side Rail (C) to Headboard (A) and Footboard (B) by pushing the bracket down to fit it.</p> 
<p>B</p>  <p>Footboard</p> <p>1 pc</p>		
<p>C</p>  <p>Side Rail</p> <p>2 pcs</p>	<p>Step 3: Attach the support legs (G) to the slats (F).</p> 	<p>Step 4: Put the slat into the bed frame and tighten the 4 corner with Allen key (L). Before tightening the CSK screw (M) to the side rail support. Make sure there is no gap between slat and the side rail.</p> 
<p>D</p>  <p>Headboard Legs D1 D2</p> <p>2 pcs</p>		
<p>E</p>  <p>Footboard Legs</p> <p>2 pcs</p>	<p>Step 4: Put the slat into the bed frame and tighten the 4 corner with Allen key (L). Before tightening the CSK screw (M) to the side rail support. Make sure there is no gap between slat and the side rail.</p> 	<p>Step 4: Put the slat into the bed frame and tighten the 4 corner with Allen key (L). Before tightening the CSK screw (M) to the side rail support. Make sure there is no gap between slat and the side rail.</p> 
<p>F</p>  <p>Slat</p> <p>5 pcs</p>		
<p>G</p>  <p>Support Leg</p> <p>5 pcs</p>	<p>Step 4: Put the slat into the bed frame and tighten the 4 corner with Allen key (L). Before tightening the CSK screw (M) to the side rail support. Make sure there is no gap between slat and the side rail.</p> 	<p>Step 4: Put the slat into the bed frame and tighten the 4 corner with Allen key (L). Before tightening the CSK screw (M) to the side rail support. Make sure there is no gap between slat and the side rail.</p> 
<p>H</p>  <p>JCR6116 X 40</p> <p>11 pcs</p>		
<p>I</p>  <p>Spring Washer</p> <p>6 pcs</p>	<p>Step 4: Put the slat into the bed frame and tighten the 4 corner with Allen key (L). Before tightening the CSK screw (M) to the side rail support. Make sure there is no gap between slat and the side rail.</p> 	<p>Step 4: Put the slat into the bed frame and tighten the 4 corner with Allen key (L). Before tightening the CSK screw (M) to the side rail support. Make sure there is no gap between slat and the side rail.</p> 
<p>J</p>  <p>Flat Washer</p> <p>4 pcs</p>		
<p>K</p>  <p>M4 x 100mm</p> <p>1 pc</p>	<p>Step 4: Put the slat into the bed frame and tighten the 4 corner with Allen key (L). Before tightening the CSK screw (M) to the side rail support. Make sure there is no gap between slat and the side rail.</p> 	<p>Step 4: Put the slat into the bed frame and tighten the 4 corner with Allen key (L). Before tightening the CSK screw (M) to the side rail support. Make sure there is no gap between slat and the side rail.</p> 
<p>L</p>  <p>M5 x 70mm</p> <p>1 pc</p>		
<p>M</p>  <p>CSK M4 x 32mm</p> <p>10 pcs</p>	<p>Step 4: Put the slat into the bed frame and tighten the 4 corner with Allen key (L). Before tightening the CSK screw (M) to the side rail support. Make sure there is no gap between slat and the side rail.</p> 	<p>Step 4: Put the slat into the bed frame and tighten the 4 corner with Allen key (L). Before tightening the CSK screw (M) to the side rail support. Make sure there is no gap between slat and the side rail.</p> 
<p>N</p>  <p>Side Wing N1 N2</p> <p>2 pcs</p>		
<p>O</p>  <p>CSK M4 x 16mm</p> <p>4 pcs</p>	<p>Step 4: Put the slat into the bed frame and tighten the 4 corner with Allen key (L). Before tightening the CSK screw (M) to the side rail support. Make sure there is no gap between slat and the side rail.</p> 	<p>Step 4: Put the slat into the bed frame and tighten the 4 corner with Allen key (L). Before tightening the CSK screw (M) to the side rail support. Make sure there is no gap between slat and the side rail.</p> 
<p>P</p>  <p>Angle Bracket</p> <p>2 pcs</p>		
<p>Q</p>  <p>JCR6116 X 50</p> <p>6 pcs</p>	<p>Step 4: Put the slat into the bed frame and tighten the 4 corner with Allen key (L). Before tightening the CSK screw (M) to the side rail support. Make sure there is no gap between slat and the side rail.</p> 	<p>Step 4: Put the slat into the bed frame and tighten the 4 corner with Allen key (L). Before tightening the CSK screw (M) to the side rail support. Make sure there is no gap between slat and the side rail.</p> 

Step 5 : Affix the angle bracket (O) to both the headboard leg (D) & side wing (N) with screw driver (not provided) as shown .

