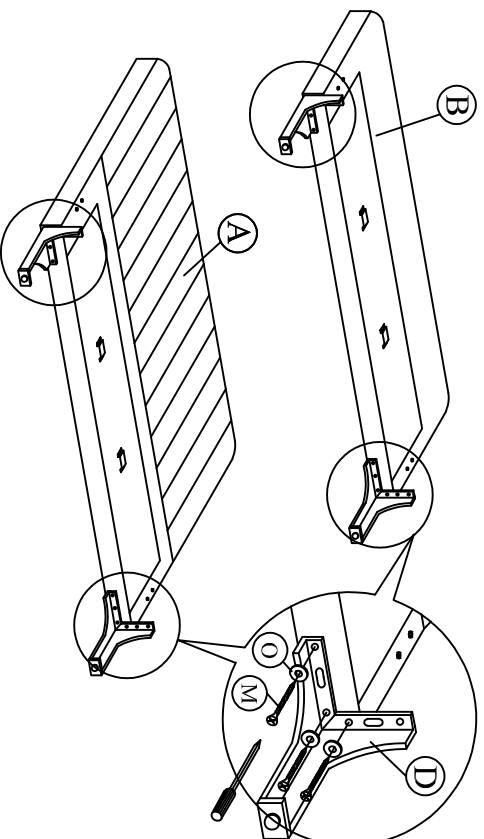


ASSEMBLY INSTRUCTION

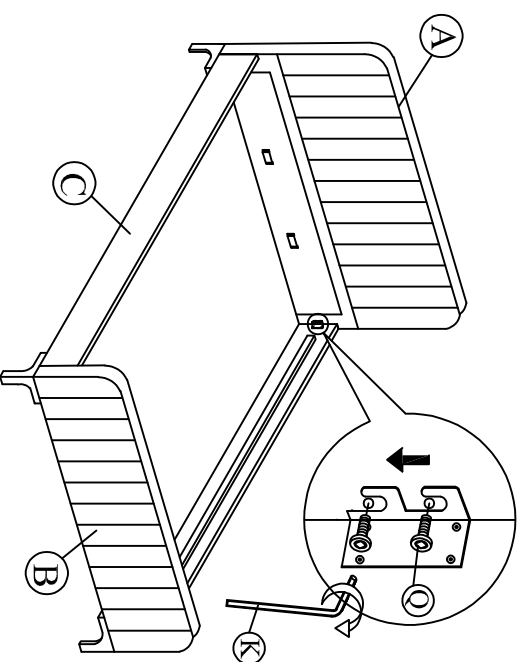
MODEL : CF 9198 (6)

A	Headboard	1 pc
B	Footboard	1 pc
C	Side Rail	2 pcs
D	Leg	4 pcs
E	Center Rail	2 pcs
F	Support Leg	4 pcs
G	Slat	42 pcs
H	Middle Holder	28 pcs
I	End Holder	28 pcs
J	JCBC M6 X 40	4 pcs
K	M5 x 70mm	1 pc
L	M4 x 65mm	1 pc
M	CSK M4 x 25mm	16 pcs
N	CSK M4 x 16mm	8 pcs
O	Flat Washers	12 pcs
P	Adjuster	4 pcs
Q	JCBB M8 X 20	8 pcs

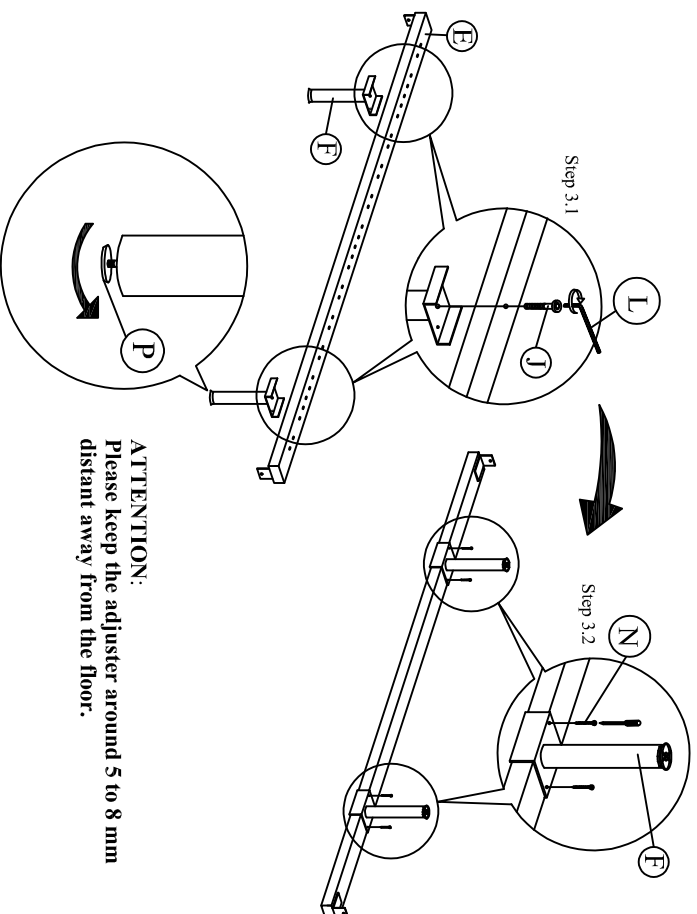
Step 1 : Tighten the legs (D) to both headboard (A) and footboard (B) as shown.



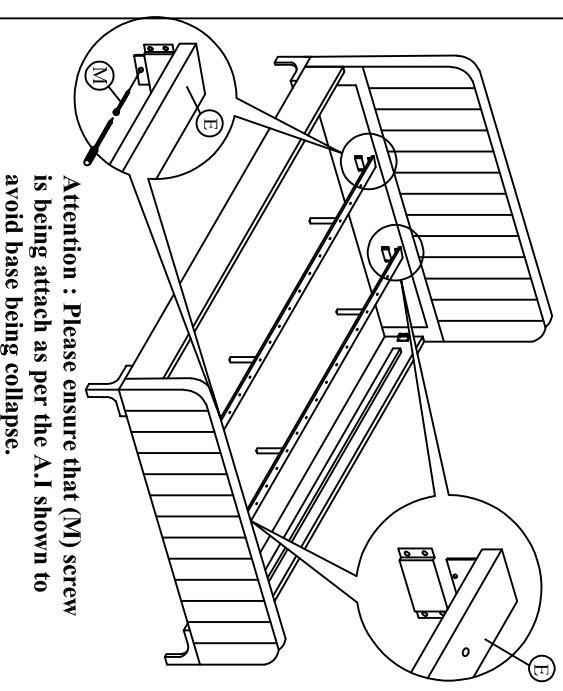
Step 2 : Attach side rail (C) to headboard (A) and footboard (B) by pushing the bracket down to fit it.



Step 3 : Attach the support legs (F) to the center rail (E) of the bed as shown.



Step 4 : Slide the center rail (E) to the headboard (A) and footboard (B). Tighten screws (M) using screw driver (not included) to the headboard (A) and footboard (B).



ATTENTION:
Please keep the adjuster around 5 to 8 mm distant away from the floor.

Attention : Please ensure that (M) screw is being attach as per the A.I shown to avoid base being collapse.

Step 5 : Tighten all the 4 corner, follow by assembly of the slat holders with L VL slats as shown.

