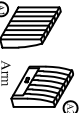
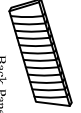




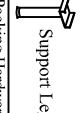
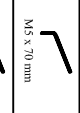
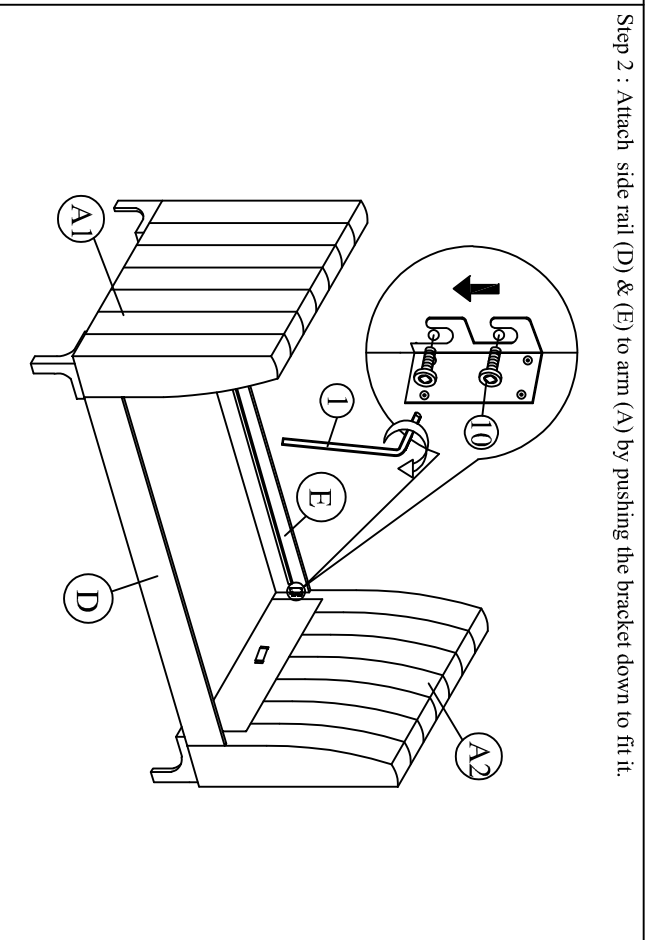
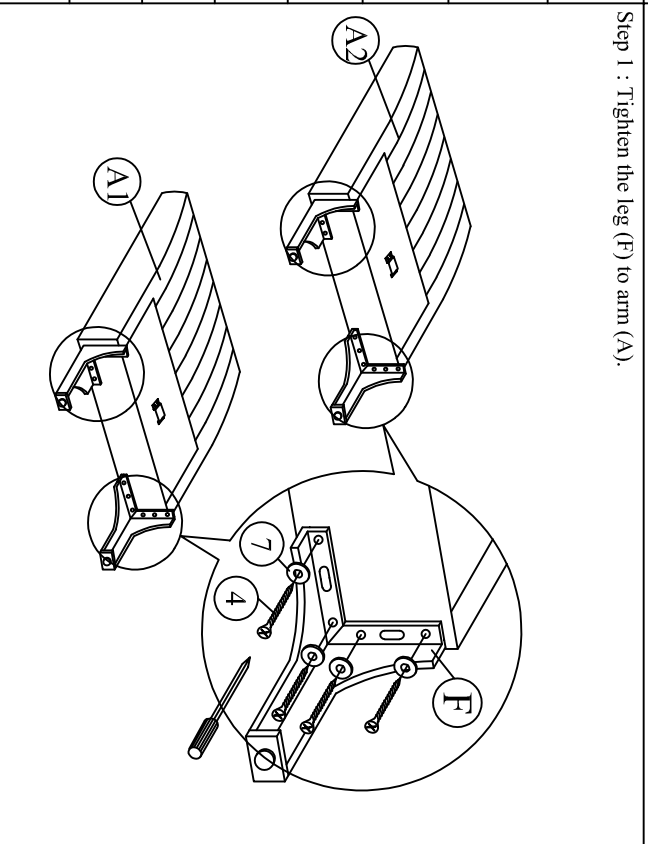




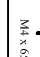
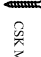
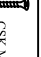

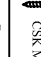


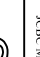

A		1 pc
B		1 pc
C		1 pc
D		1 pc
E		1 pc
F		4 pcs
G		1 pc
H		2 pcs

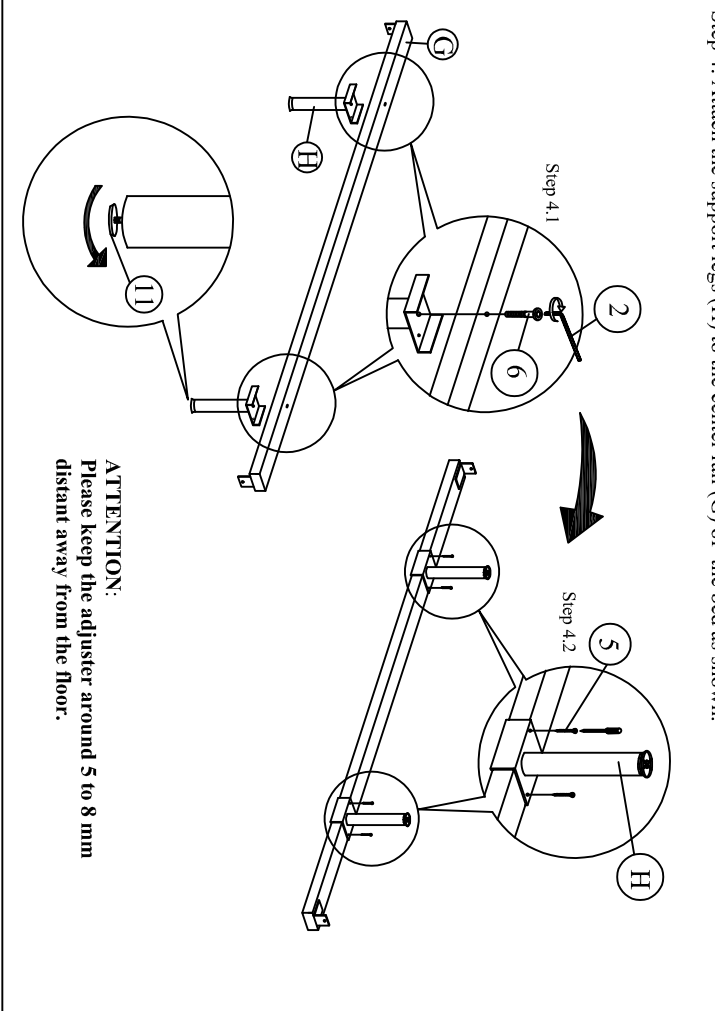
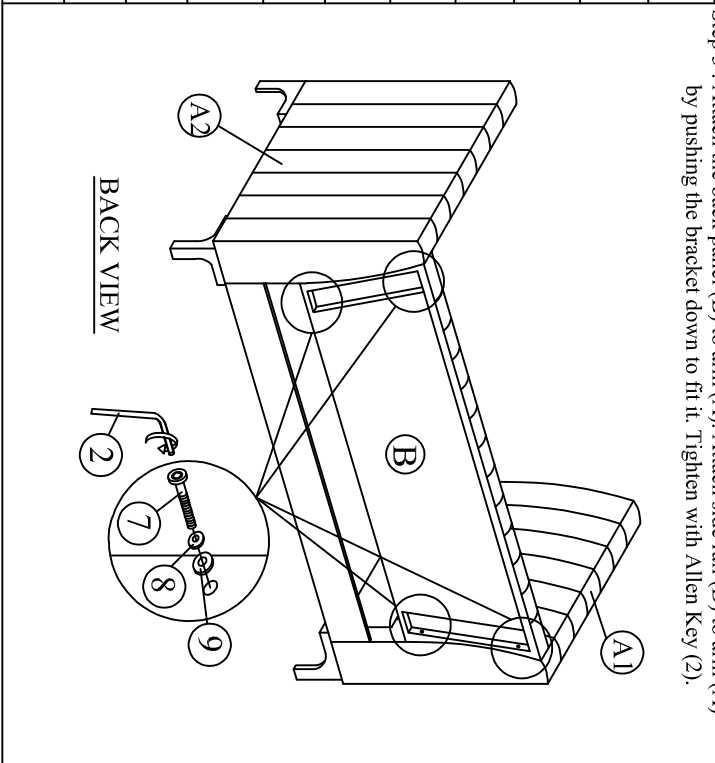


Packing Hardware

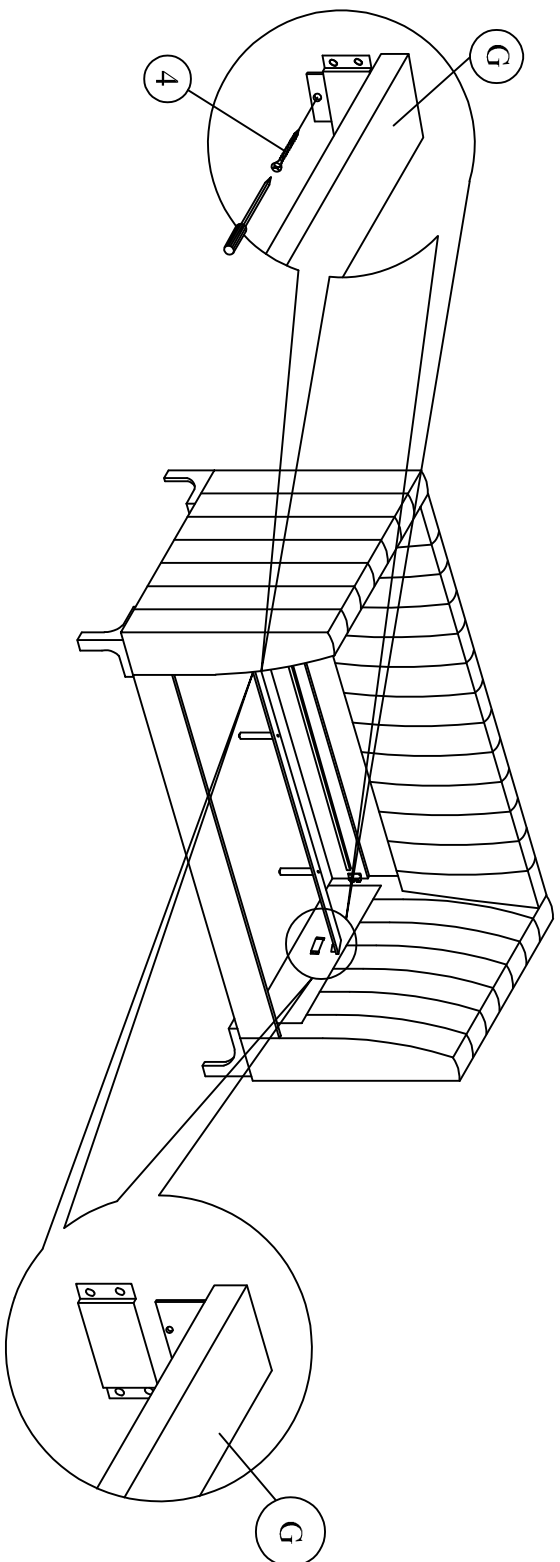
Step 3 : Attach the back panel (B) to arm (A). Attach side rail (D) to arm (A) by pushing the bracket down to fit it. Tighten with Allen Key (2).

Step 4 : Attach the support legs (H) to the center rail (G) of the bed as shown.

1		1 pc
2		1 pc
3		29 pcs
4		18 pcs
5		4 pcs
6		2 pcs
7		4 pcs
8		4 pcs
9		20 pcs
10		8 pcs
11		2 pcs



Step 5 : Slide the center rail (G) to the arm (A). Tighten screws (4) using screw driver (not included) to the arm (A).



Step 6 : Tighten the slats with CSK screw (3). The distance of the slats should be sufficient to obtain desirable bed stability. Tighten all the 4 corner.

