


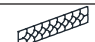


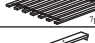

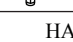

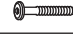
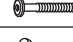







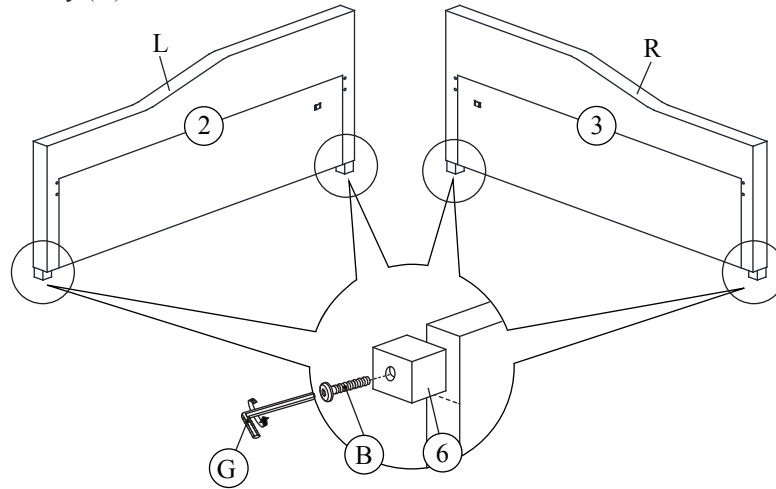
ASSEMBLY INSTRUCTION

BECKER-FULL-DAYBED
BECKER-QUEEN -DAYBED

NO	PART LIST	QTY
1	 BACK REST	1PC
2	 SIDE PANEL (L)	1PC
3	 SIDE PANEL (R)	1PC
4	 FRONT SIDE RAIL	1PC
5	 BACK SIDE RAIL	1PC
6	 LEG	4PCS
7	 SLAT	2 SET
8	 CENTER SUPPORT	1PC
9	 SUPPORT LEG	2PCS
ITEM	HARDWARE	QTY
A	 JCBB SCREW M8 x 20MM	12PCS
B	 JCBC SCREW M6 x 35MM	4PCS
C	 JCBC SCREW M6 x 50MM	4PCS
D	 SPRING WASHER	4PCS
E	 FLAT WASHER (BIG)	4PCS
F	 SCREW M4 x 32MM	14PCS
G	 L - KEY M4 x 65MM	1PC
H	 L - KEY M5 x 65MM	1PC

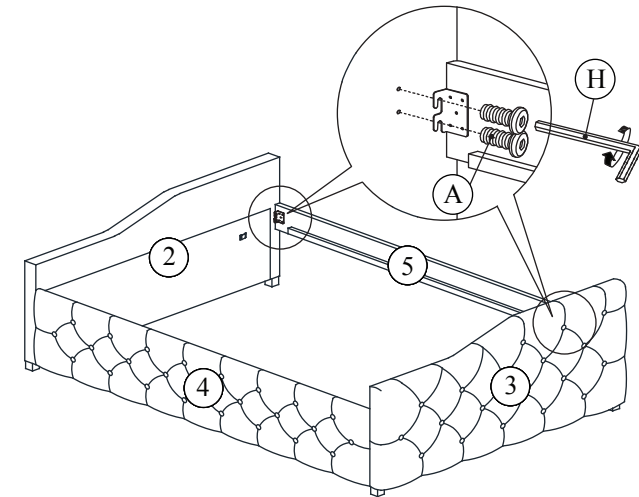
STEP 1

Begin assembly by attaching each Leg (6) to the bottom of the Side Panel (2) & (3) securing with 2 Allen Bolt (B) per panel using L-key (G).



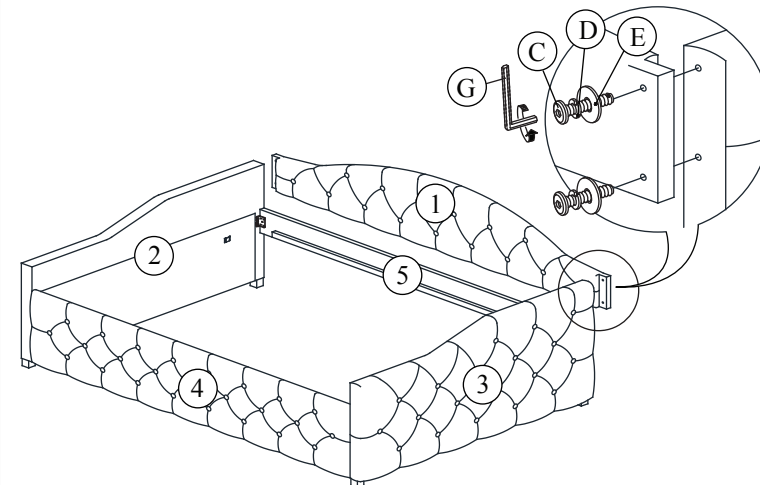
STEP 2

Attach the Front Rail (4) and Back Rail (5) to the Side Panel (2) & (3) by aligning holes and securing with 2 Allen Bolts (A) per each end using L-key (H). (DO NOT FULLY TIGHTEN BOLTS FOR THIS STEP)



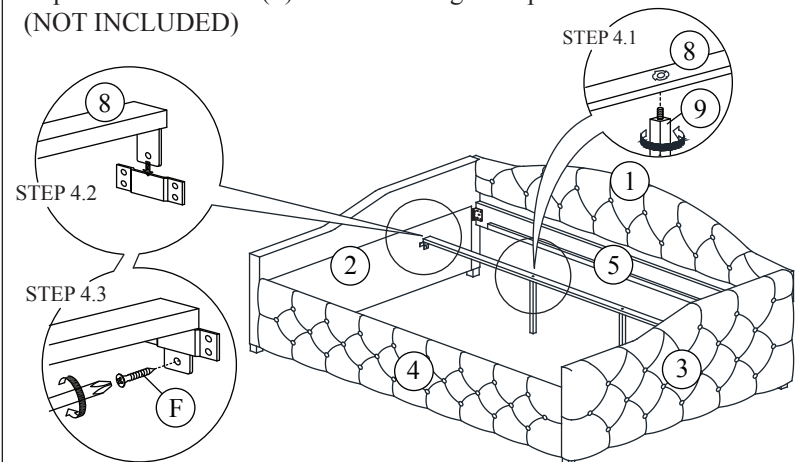
STEP 3

Attach the Back Rest (1) to each Side Panel (2) & (3) by aligning the hole and securing with 2 Allen Bolts (C), 2 Spring Washer (D), 2 Flat Washer (E) per each end using L-key (G) as picture below. (DO NOT FULLY TIGHTEN BOLTS FOR THIS STEP)



STEP 4

Secure 2 Support Leg (9) to the Center Support (8) as shown on step 4.1. Tighten the Support Leg (9) clockwise until secure. Insert the pre-set metal on Center Support (8) to the metal bracket on each side of Side Panel (2) & (3) as step 4.2. Then securing the metal bracket as shown in step 4.3 with 1 Screw (F) each side using Phillips He ad Screwdriver (NOT INCLUDED)

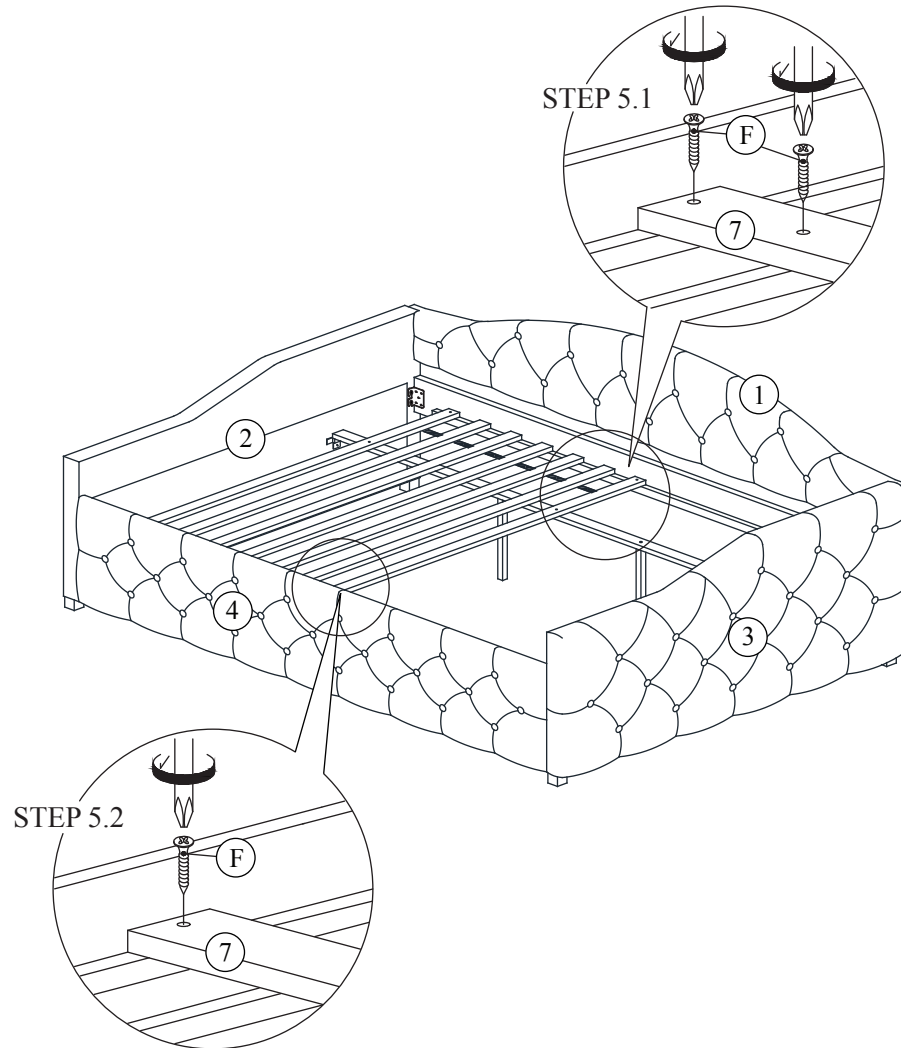


Please do not tighten the hardware until the entire assembly is completed.

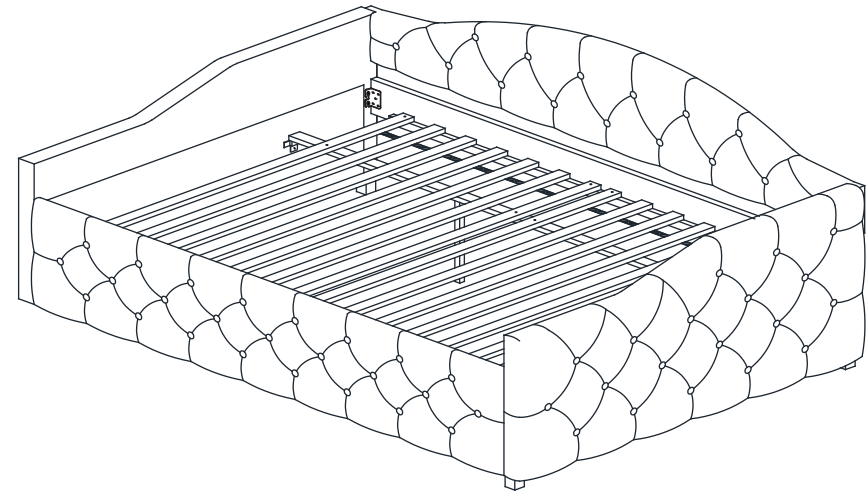
ASSEMBLY INSTRUCTION

STEP 5

Tighten All Bolts from step 1 to step 4 by using L-key (G) & (H) that has been provided. Attached Slat (7) to Front Side Rail (4) & Back Side Rail (5) by unrolling and securing with 6 Screw (H), per set using Phillips Head Screwdriver. Securing Slat (7) to Back Side Rail (5) with 2 Screw (F) as step 5.1. Following by step 5.2, using 1 Screw (F) to secure Slat (7) to Front Side Rail (4). Repeat the same step to attach another set of Slat (7).



STEP 6



ASSEMBLY
COMPLETE

Please do not tighten the hardware until the entire assembly is completed.