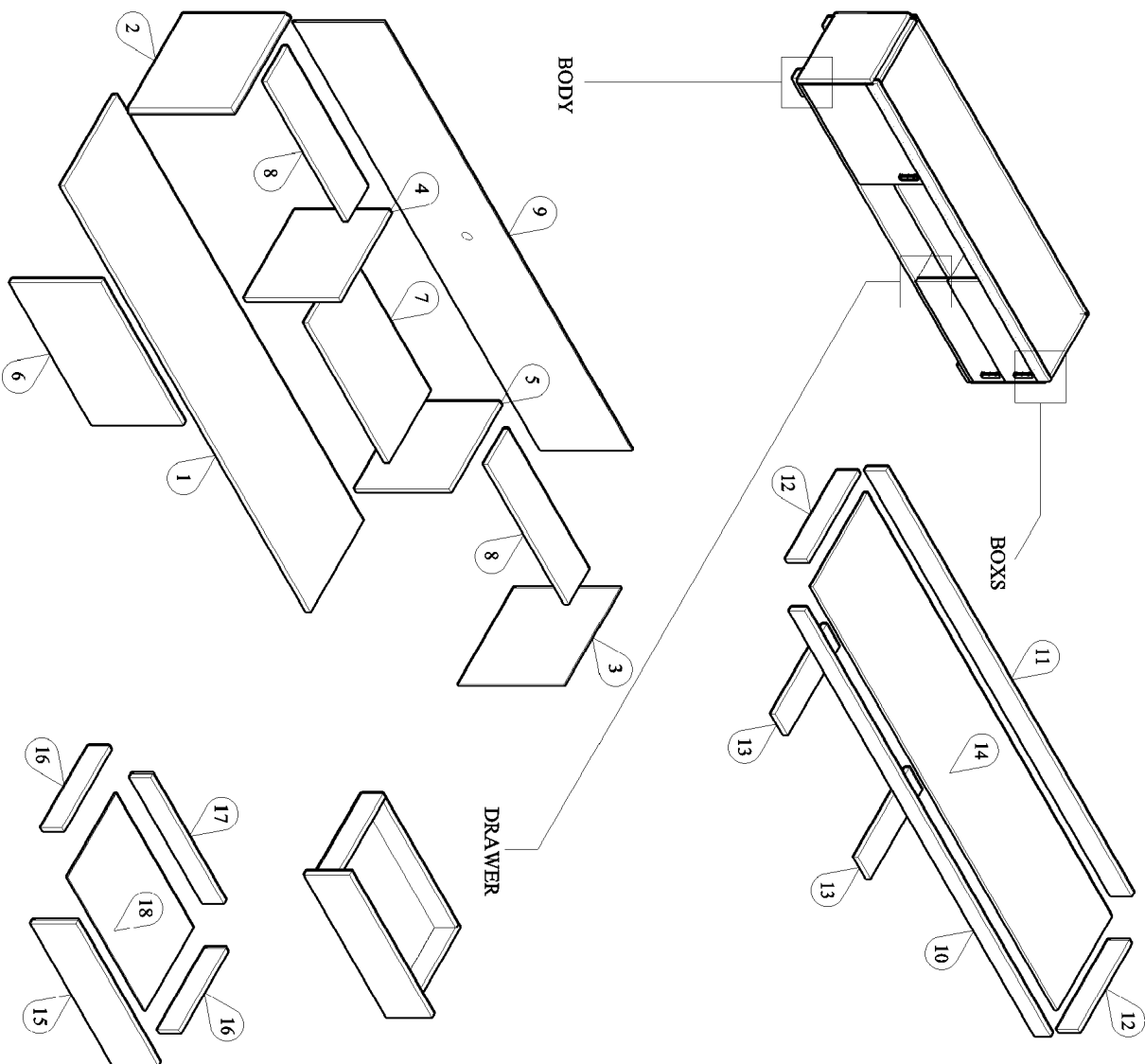


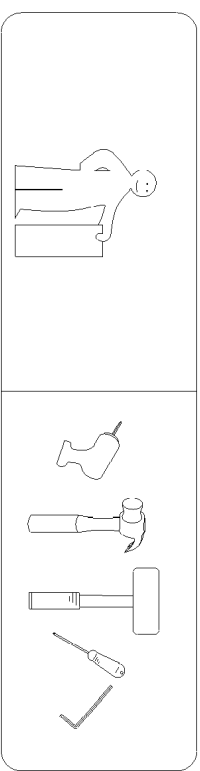
MODEL : BR3 TV 313WI

PANEL POSITION

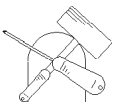


| ACCESSORIES | QUANTITY |
|---|-----------------|
| A MINIFIX M5 x 24MM | 24 PCS |
| B MINIFIX CASING | 24 PCS |
| C WOOD DOWEL M8 x 30MM | 24 PCS |
| D IRON SHELF SUPPORT | 4 PCS |
| E SCREW M4 x 38MM | 8 PCS |
| F SCREW M4 x 28MM | 6 PCS |
| G DRAWER SLIDE 14" SCREW M3.5 x 12MM | 2 SET 24 PCS |
| H PVC HANDLE SCREW M4 x 28MM | 3 PCS 6 PCS |
| I PVC LEG SCREW M4 x 38MM | 6 PCS 12 PCS |
| J POWER PIN | 30 PCS |
| K SCREW M6 x 50MM | 4 PCS |
| L ALLEN KEY | 1 PC |
| M HYDRAULIC HINGES 7/8" SCREW M3.5 x 16MM | 3 PCS 18 PCS |

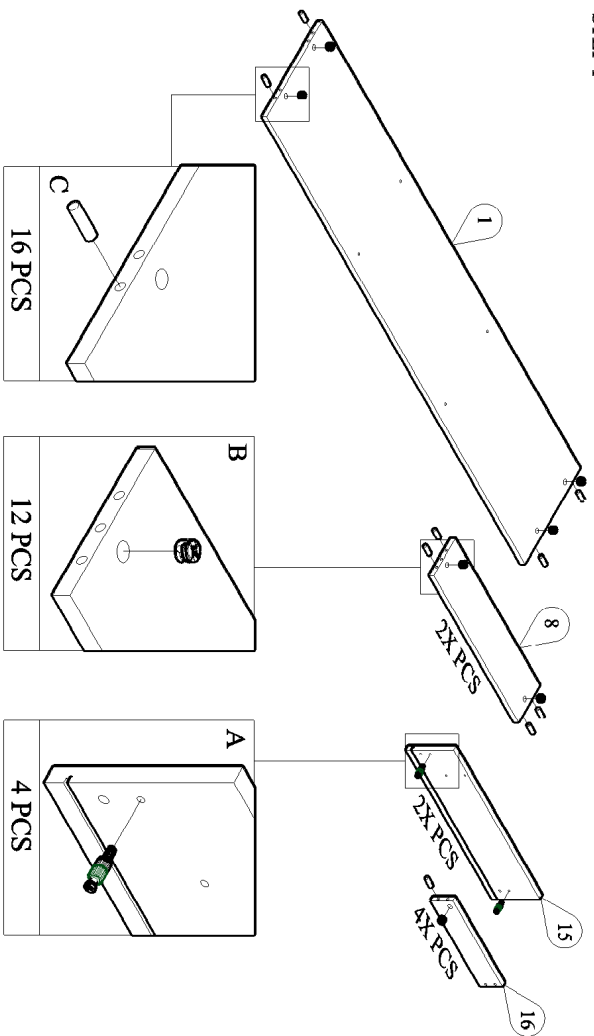
| CHEMICAL | HANDLE WITH CARE | KEEP DRY | HARD SURFACE |
|-------------------------------------|-------------------------------------|-------------------------------------|-------------------------------------|
| <input checked="" type="checkbox"/> | <input checked="" type="checkbox"/> | <input checked="" type="checkbox"/> | <input checked="" type="checkbox"/> |



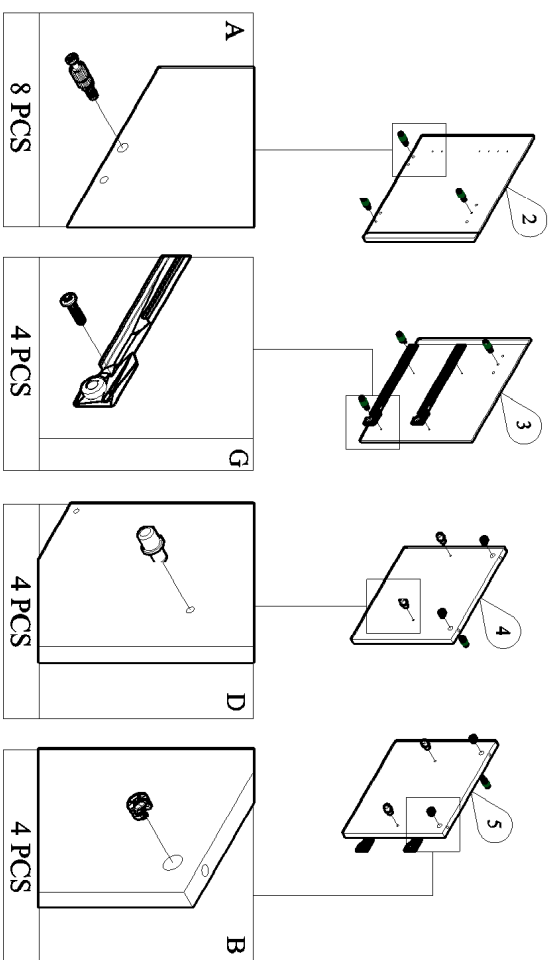
START ASSEMBLY



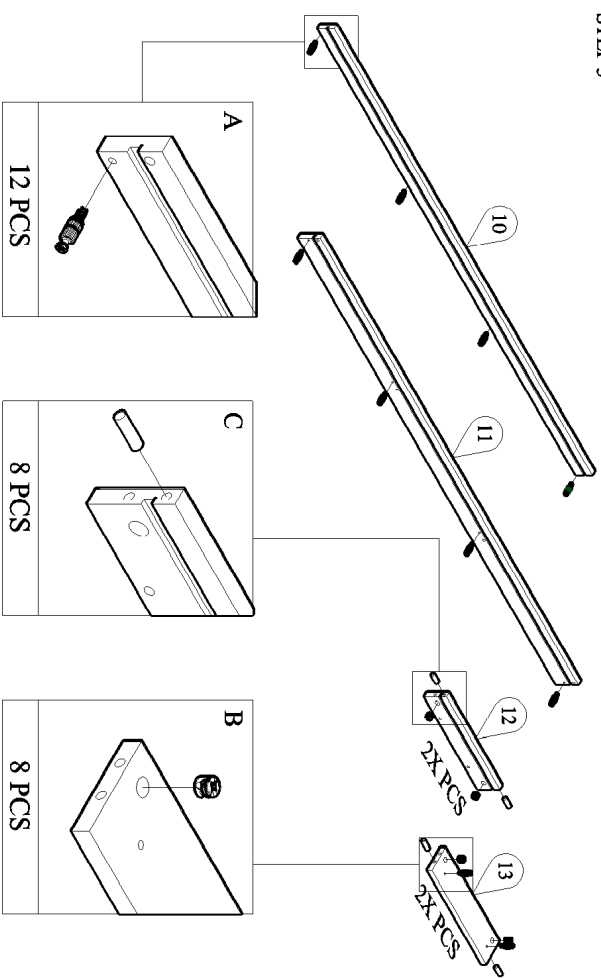
STEP 1



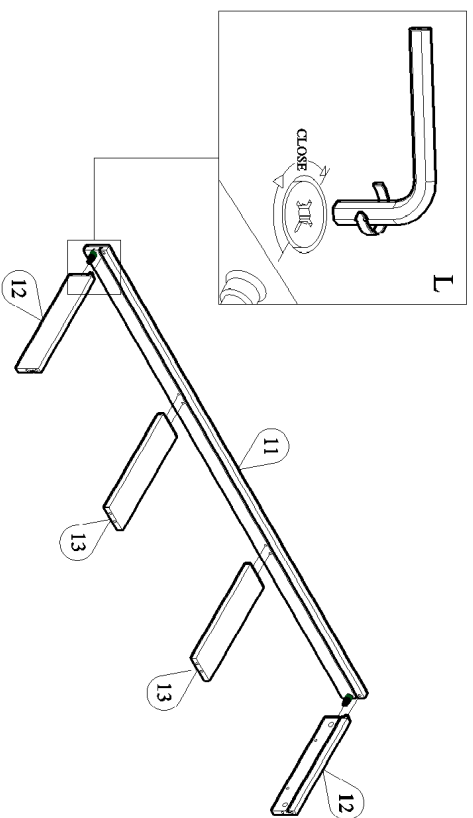
STEP 2



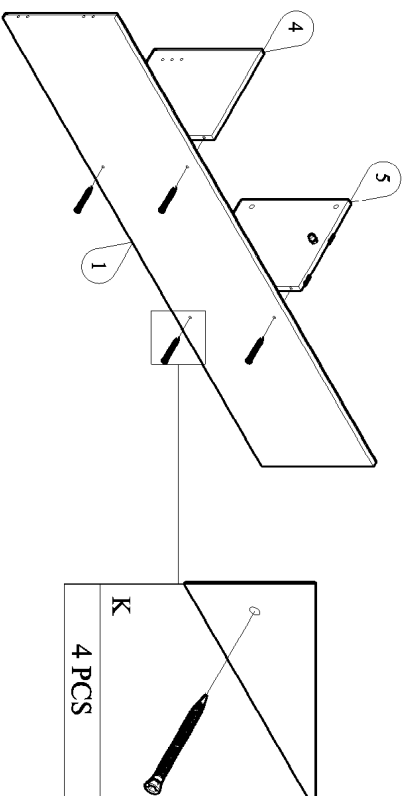
STEP 3



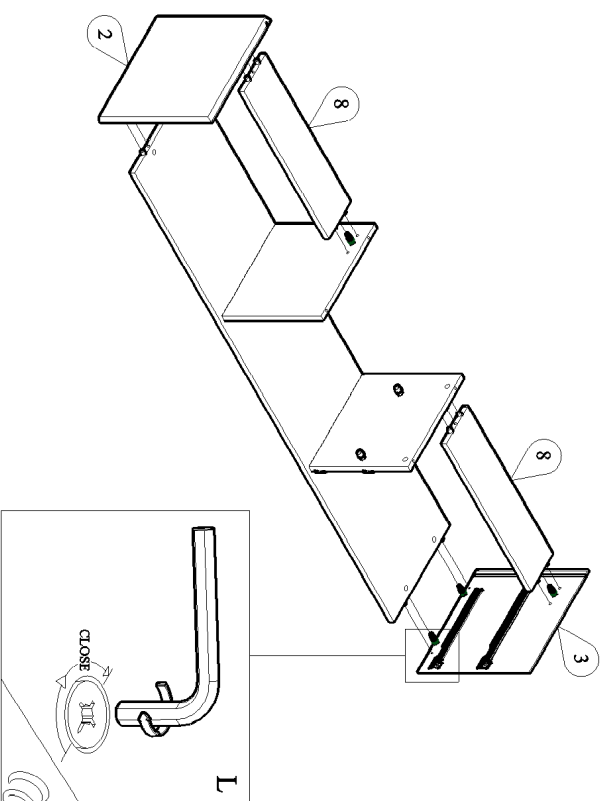
STEP 4



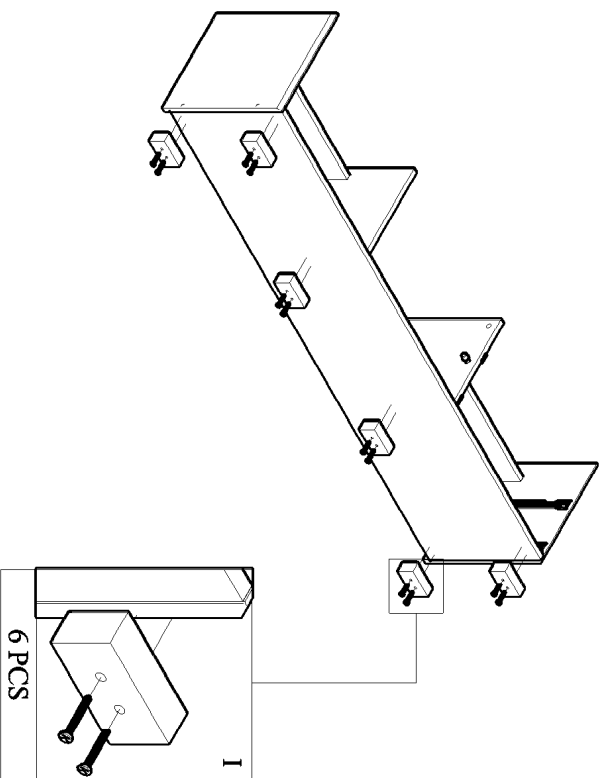
STEP 5



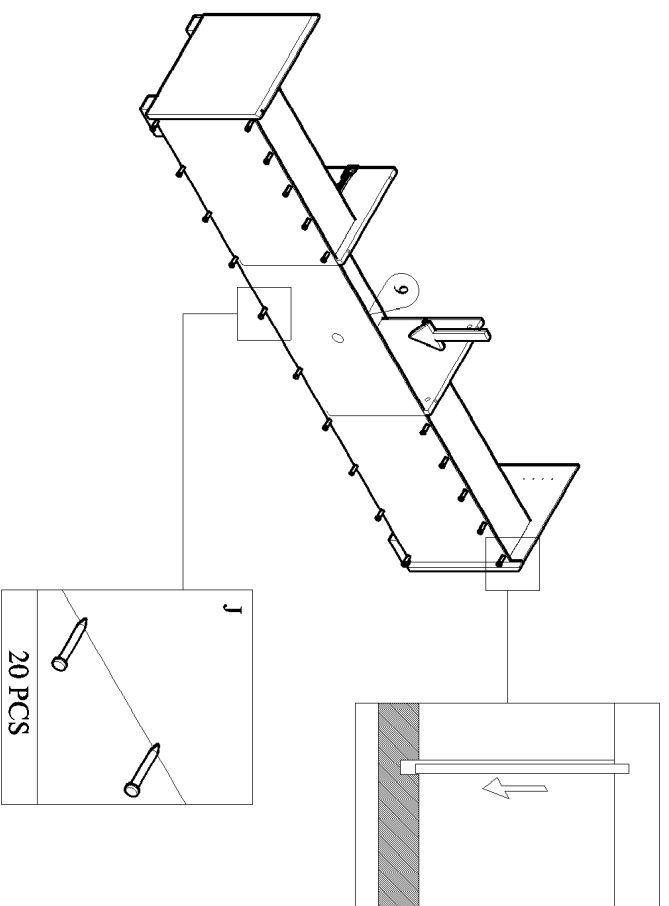
STEP 6



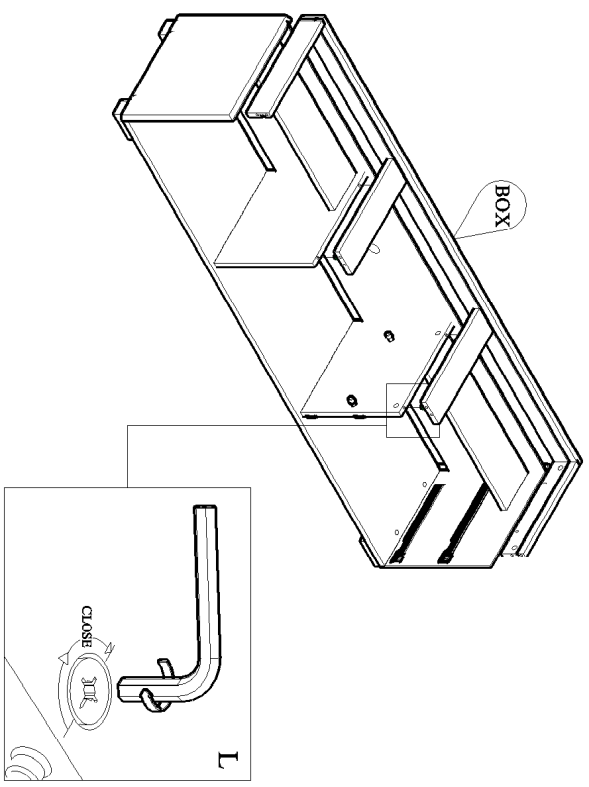
STEP 7



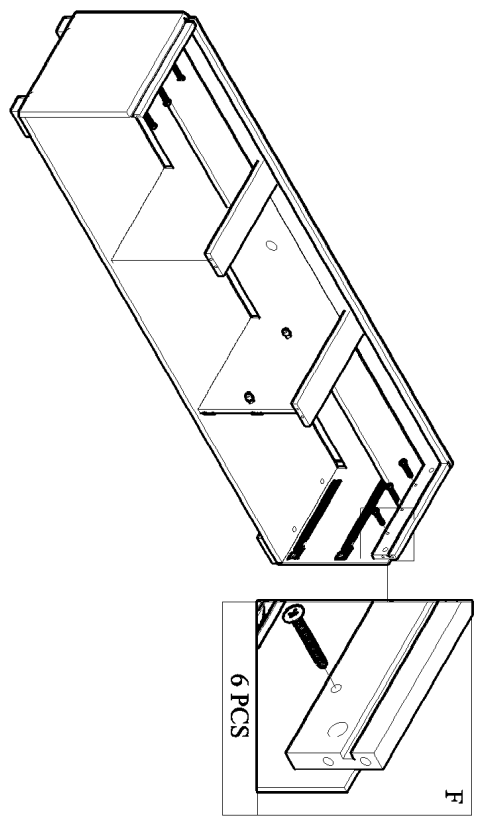
STEP 8



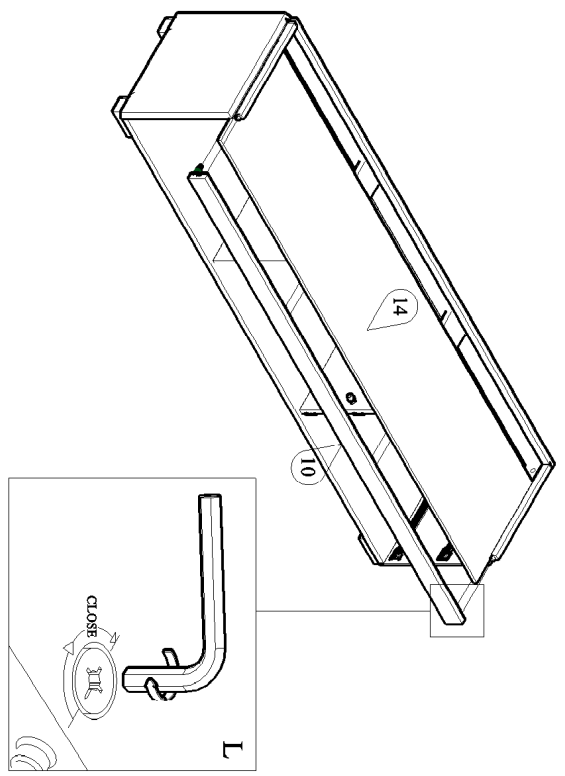
STEP 9



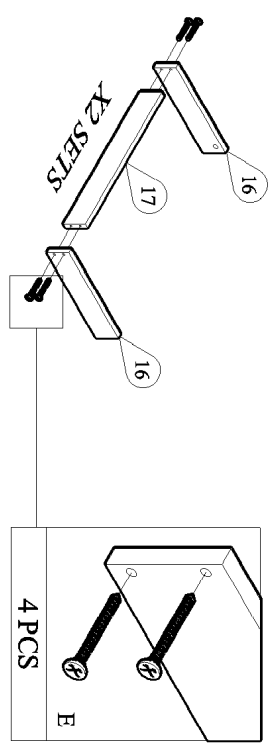
STEP 10



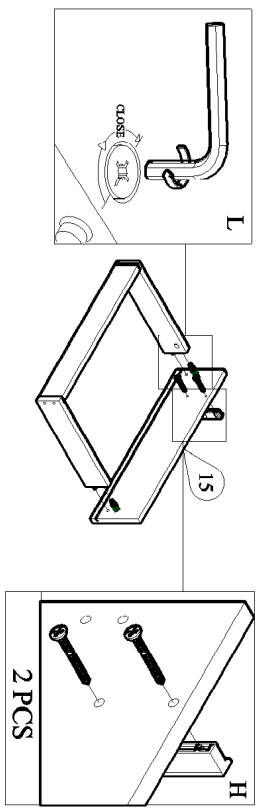
STEP 11



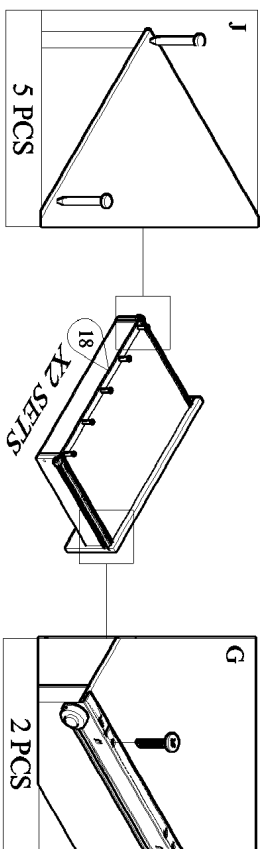
STEP 12



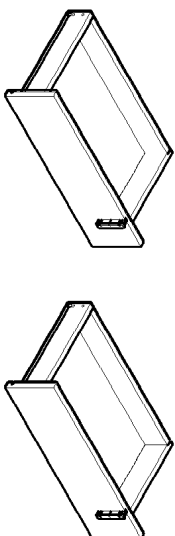
STEP 13



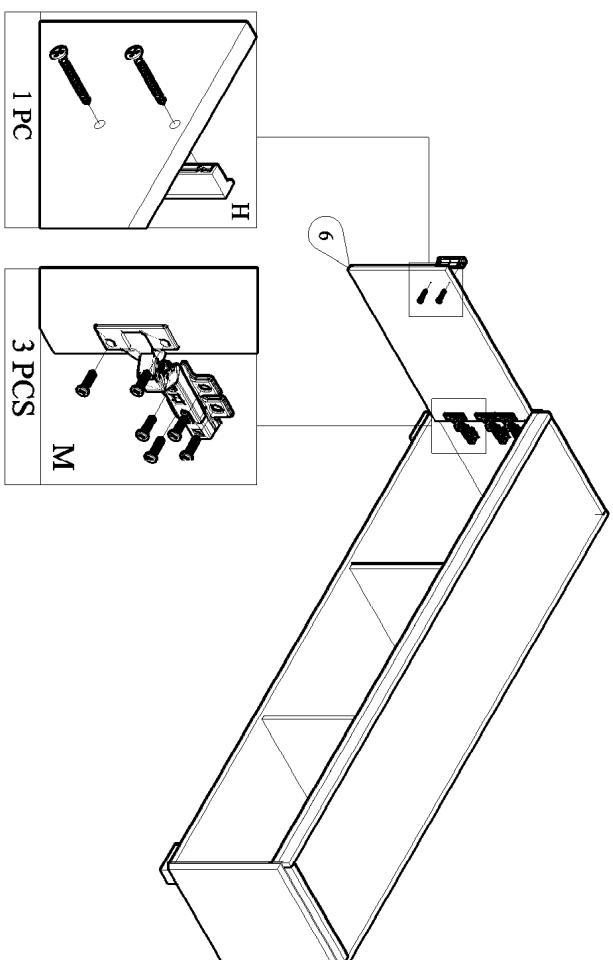
STEP 14



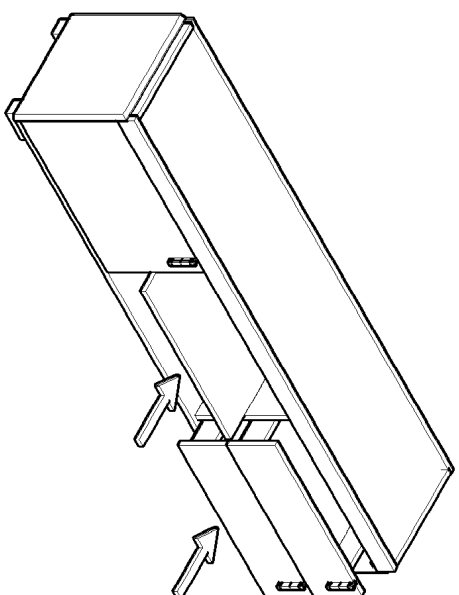
COMPLETED DRAWER



STEP 15



STEP 16



COMPLETED

