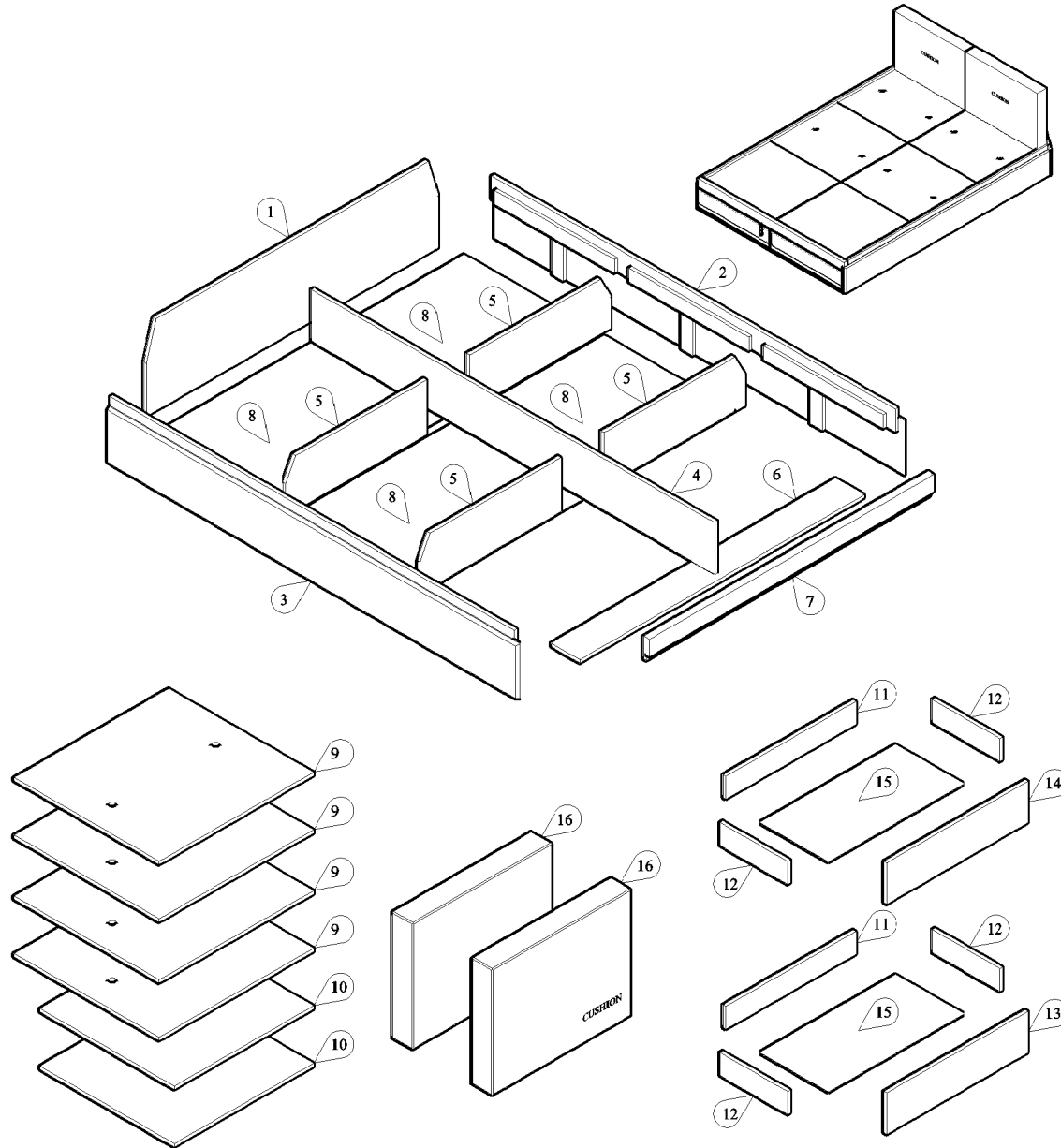
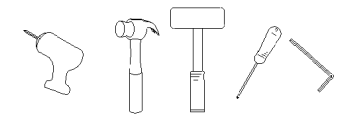
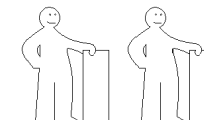


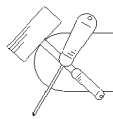
MODEL : BR3 QB 30261WI

PANEL POSITION



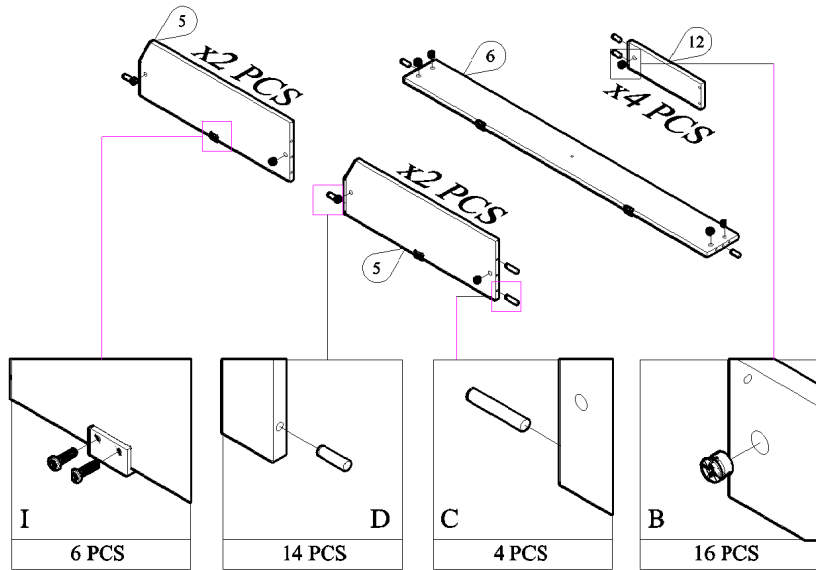
	ACCESSORIES	QUANTITY
A	MINIFIX M5 x 24MM	17 PCS
B	MINIFIX CASING	21 PCS
C	WOOD DOWEL M8 x 50MM	4 PCS
D	WOOD DOWEL M8 x 30MM	24 PCS
E	SCREW M7 x 50MM	6 PCS
F	SCREW M4 x 38MM	8 PCS
G	DRAWER SLIDE 14" SCREW M3.5 x 12MM	2 SETS 24 PCS
H	PVC HANDLE SCREW M4 x 28MM	2 PCS 4 PCS
I	RECTANGLE LEG SCREW M3.5 x 16MM	14 PCS 28 PCS
J	POWER PIN	14 PCS
K	ALLEN KEY	1 PC
L	MINIFIX M7 x 64MM	2 PCS



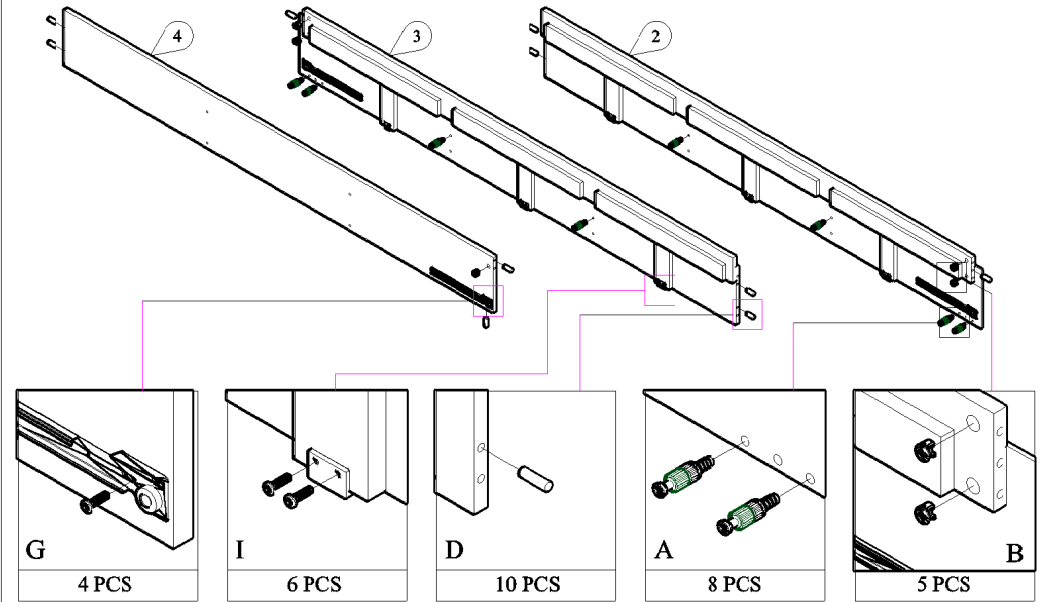


START ASSEMBLY

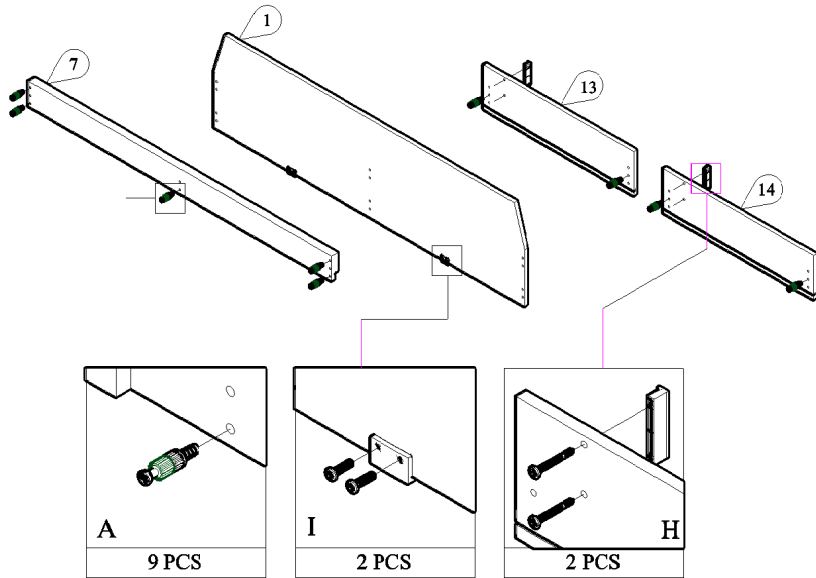
STEP 1



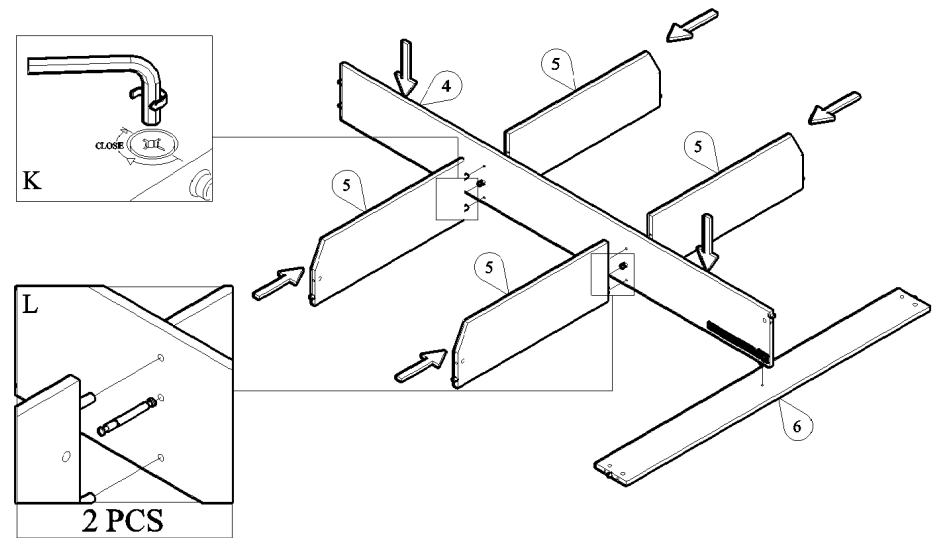
STEP 2



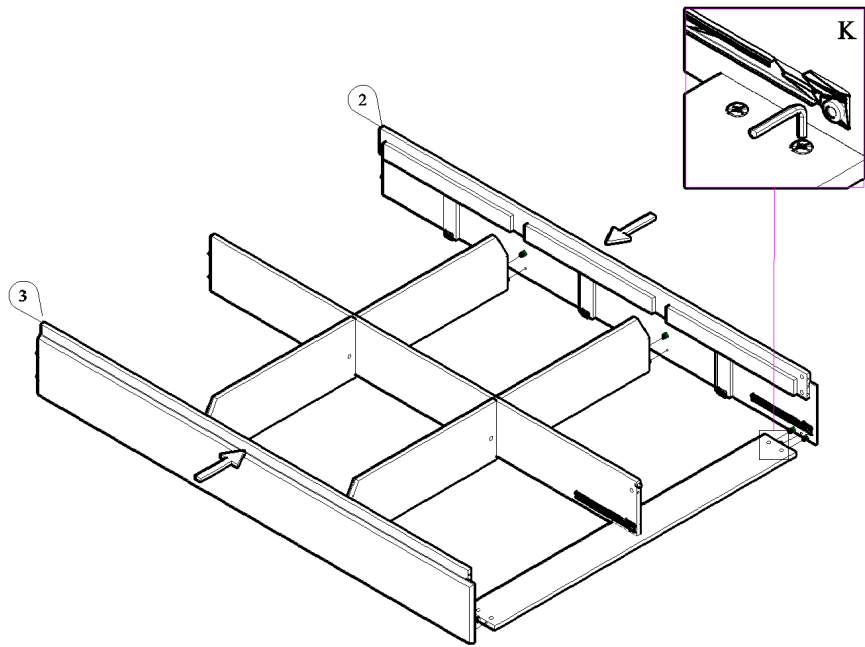
STEP 3



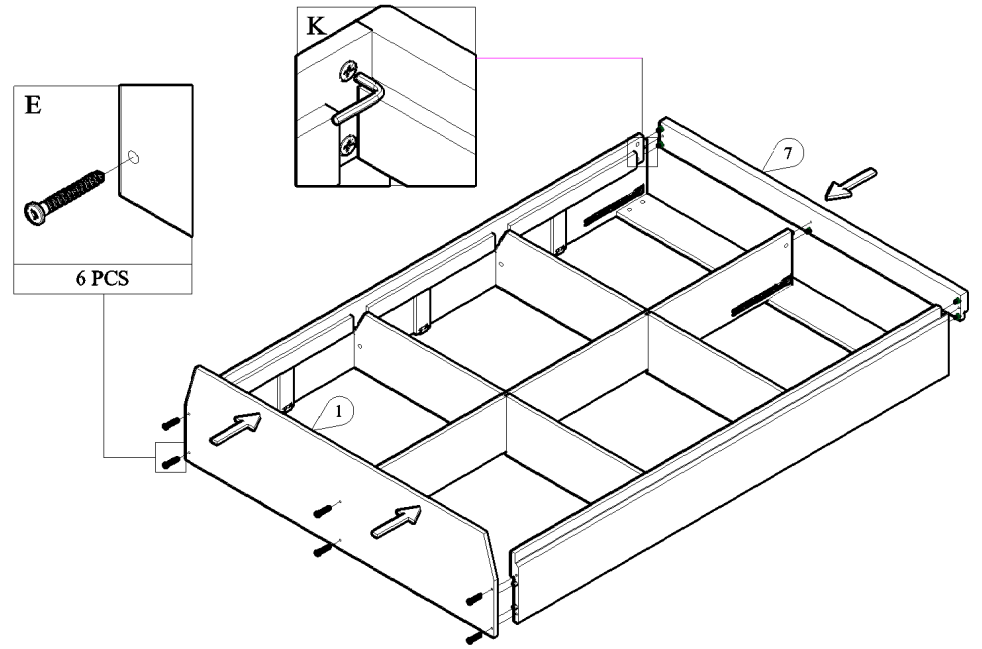
STEP 4



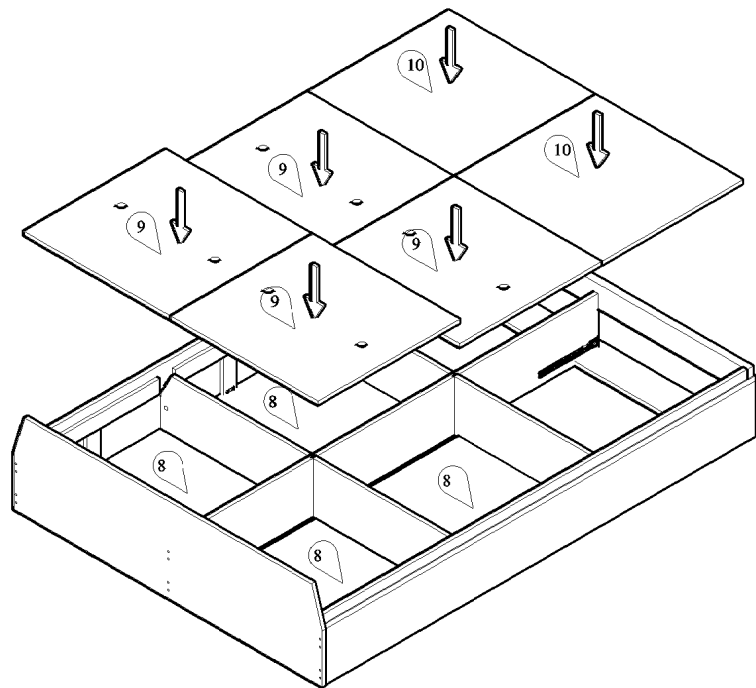
STEP 5



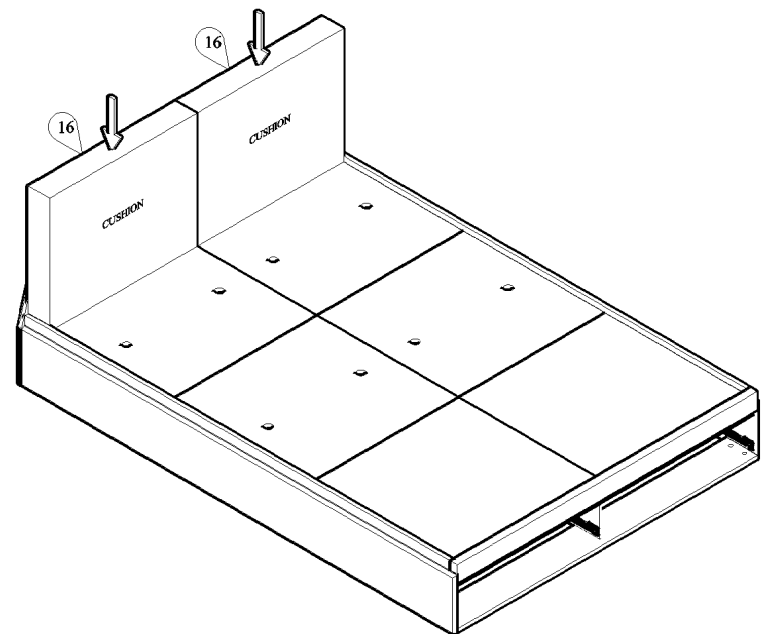
STEP 6



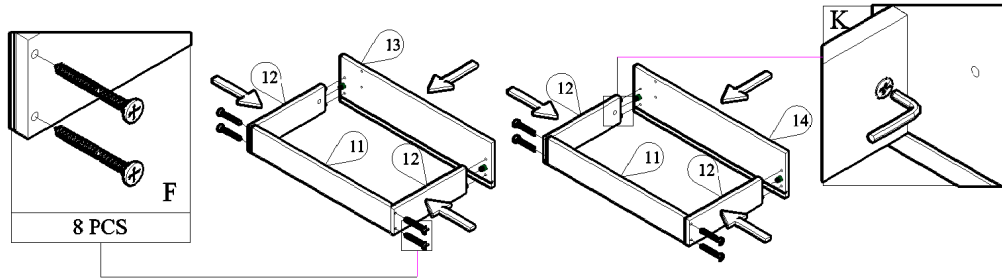
STEP 7



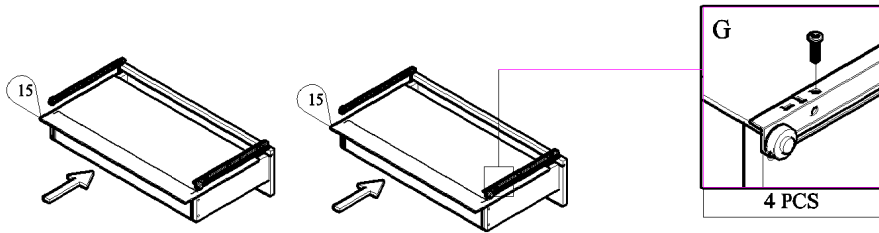
STEP 8



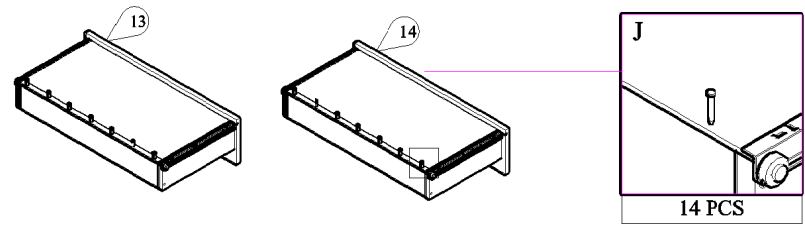
STEP 9



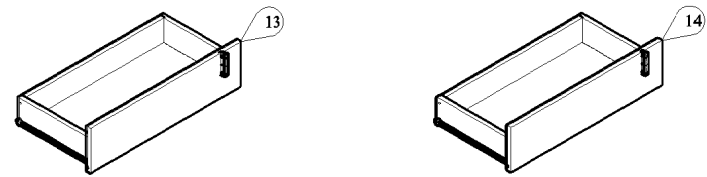
STEP 10



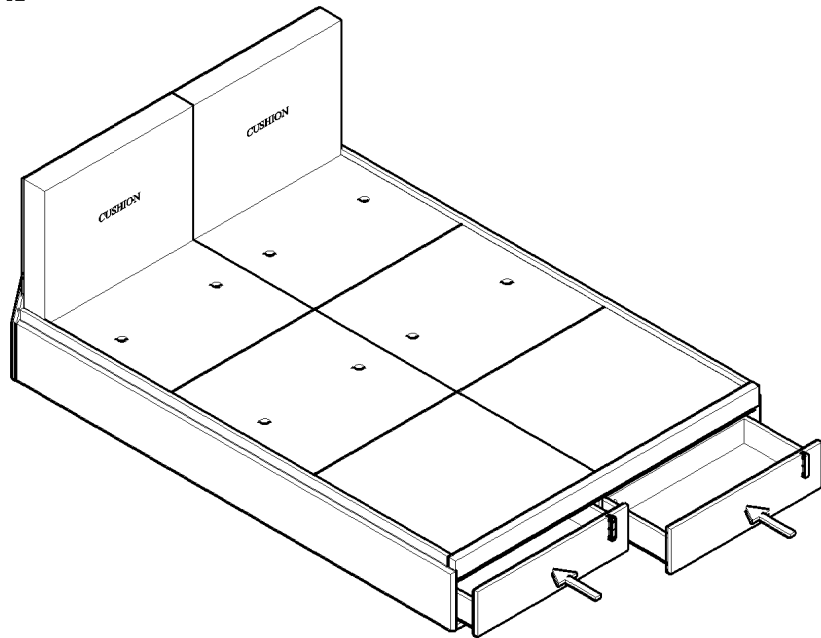
STEP 11



COMPLETED DRAWER



STEP 12



COMPLETED

